



US00D466902S

(12) **United States Design Patent**  
**Warmenhoven**

(10) **Patent No.:** **US D466,902 S**

(45) **Date of Patent:** **\*\* Dec. 10, 2002**

(54) **OPTICAL DISK CARTRIDGE**

D412,160 S 7/1999 Nelson  
D420,337 S 2/2000 Mori

(75) Inventor: **Coen J. Warmenhoven**, Colorado Springs, CO (US)

\* cited by examiner

(73) Assignee: **Plasmon LMS, Inc.**, Colorado Springs, CO (US)

*Primary Examiner*—M. H. Tung  
(74) *Attorney, Agent, or Firm*—Oppenheimer Wolff & Donnelly LLP

(\*\*) Term: **14 Years**

(57) **CLAIM**

(21) Appl. No.: **29/154,075**

The ornamental design for a optical disk cartridge, substantially as shown and described.

(22) Filed: **Jan. 15, 2002**

(51) **LOC (7) Cl.** ..... **14-02**

(52) **U.S. Cl.** ..... **D14/479**

(58) **Field of Search** ..... D14/432-3, 435, D14/474-80; 360/60, 129, 132, 133, 135, 97.01-99.12; 206/312, 307, 308.1, 308.2, 472; 369/291, 273, 77.2; D6/626-7

**DESCRIPTION**

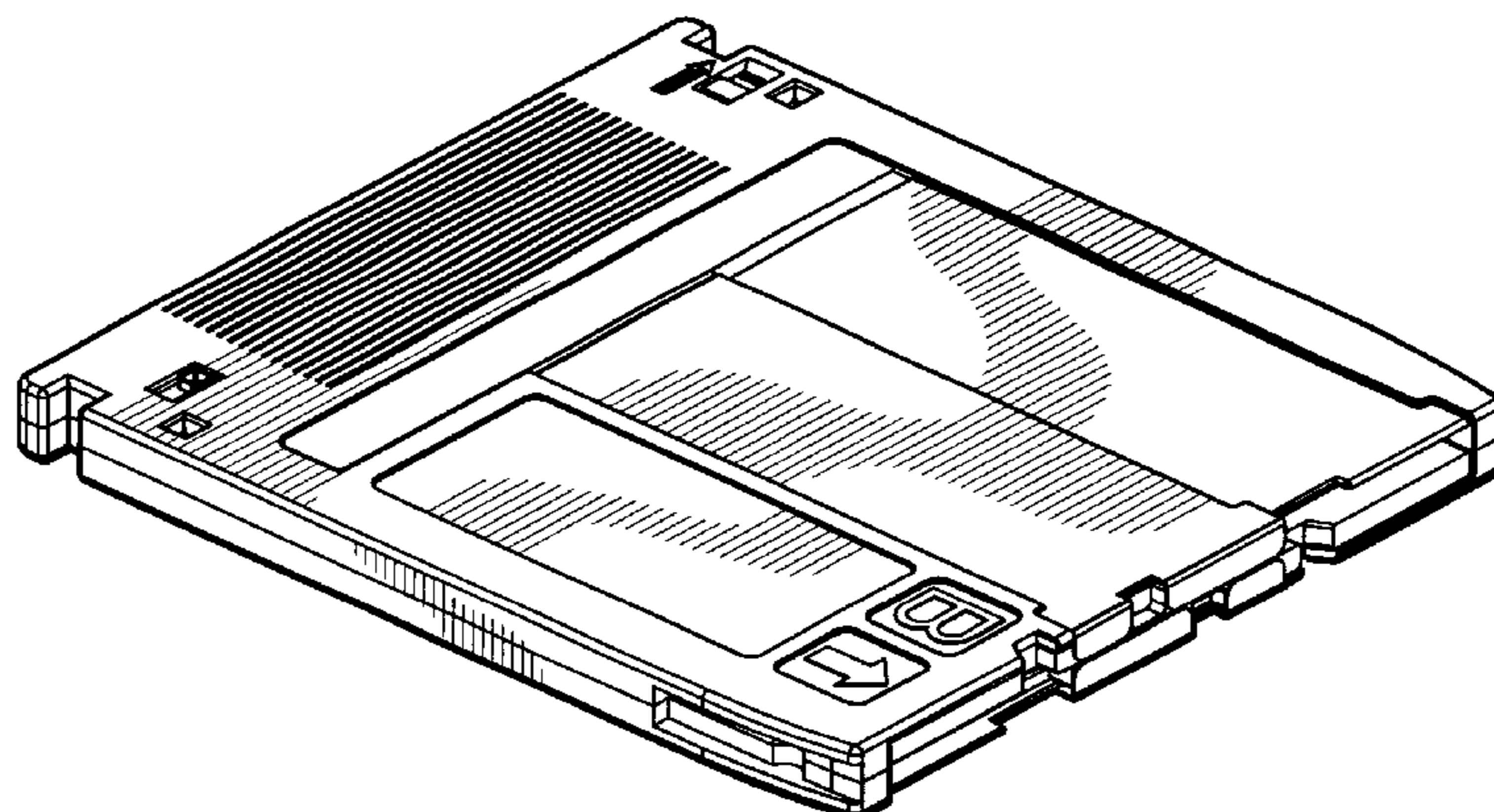
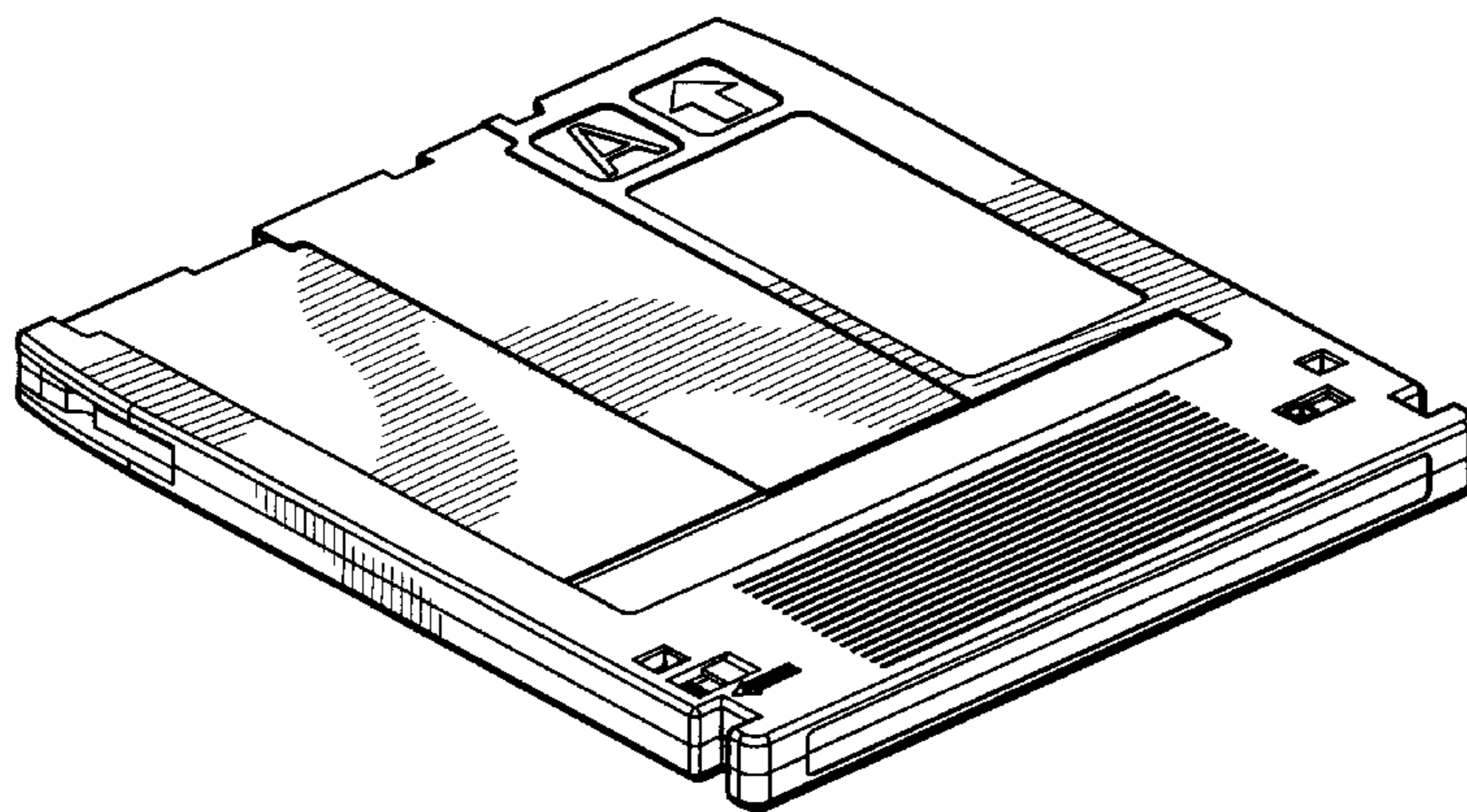
FIG. 1 is a front perspective view of an optical disk cartridge showing my new design;  
FIG. 2 is a top plan view thereof, on an enlarged scale;  
FIG. 3 is a front elevational view thereof, on an enlarged scale;  
FIG. 4 is a left side view thereof, the right side is a mirror image, on an enlarged scale;  
FIG. 5 is a rear elevational view thereof, on an enlarged scale;  
FIG. 6 is a bottom plan view thereof, on a greatly enlarged scale;  
FIG. 7 is a rear perspective view thereof; and,  
FIG. 8 is a bottom, front perspective view thereof.

(56) **References Cited**

**U.S. PATENT DOCUMENTS**

- D304,720 S \* 11/1989 Ashe et al.
- D328,457 S \* 8/1992 Matsuzaka
- D342,062 S \* 12/1993 Martin
- D370,009 S \* 5/1996 Smedley, Jr. et al.
- D394,058 S \* 5/1998 Funawatari
- D397,099 S 8/1998 Katayama
- D403,671 S 1/1999 Fujisawa

**1 Claim, 3 Drawing Sheets**



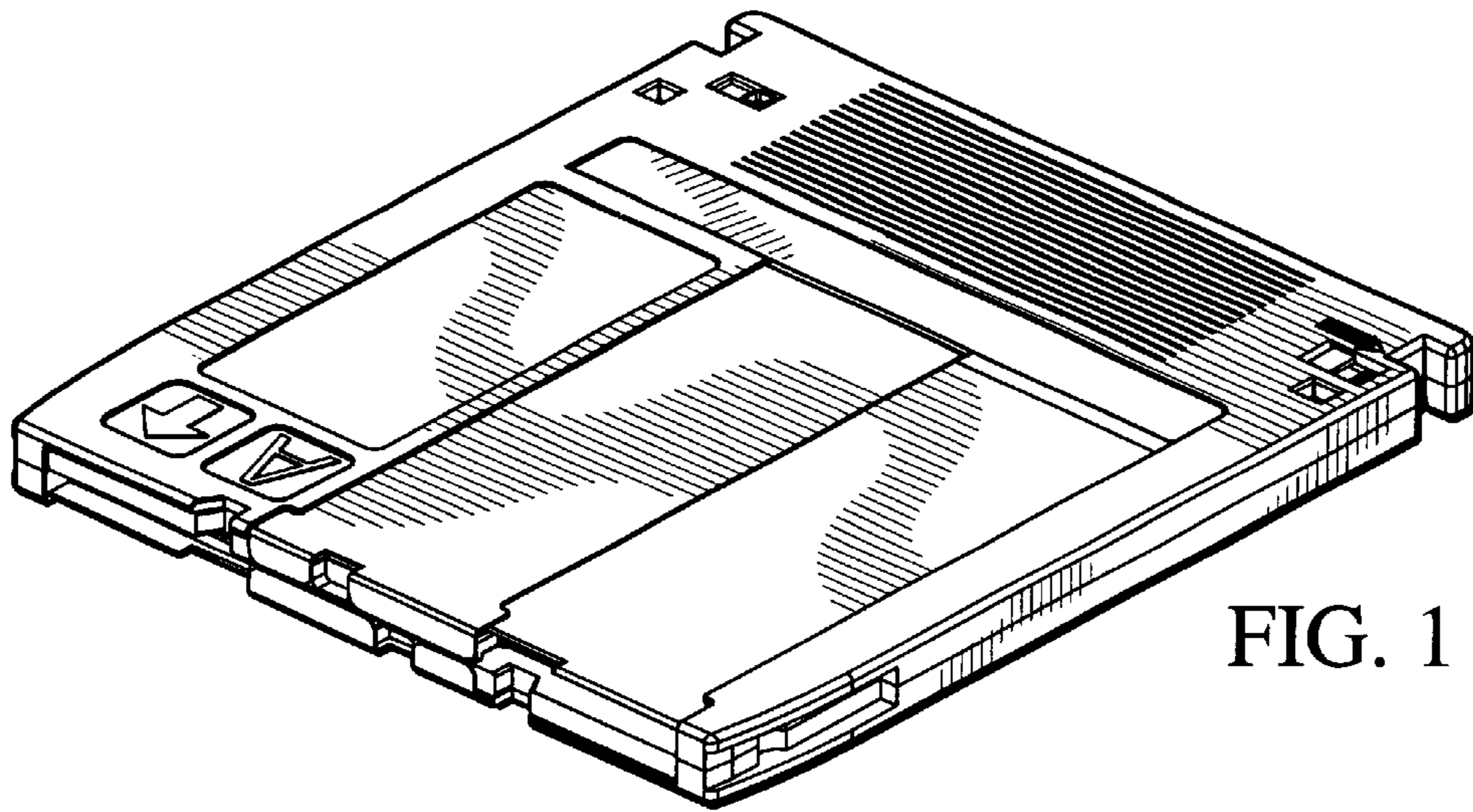


FIG. 1

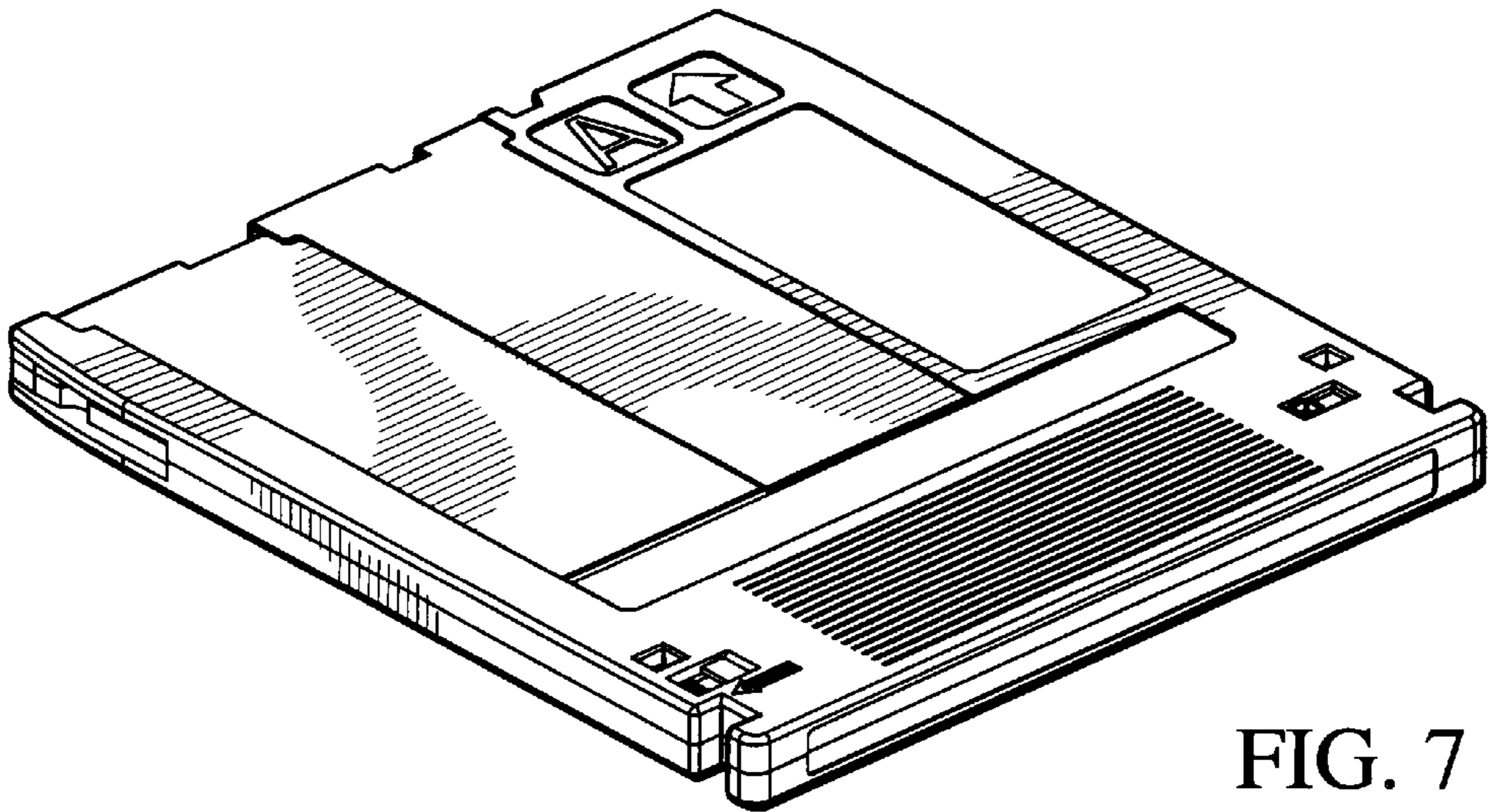


FIG. 7

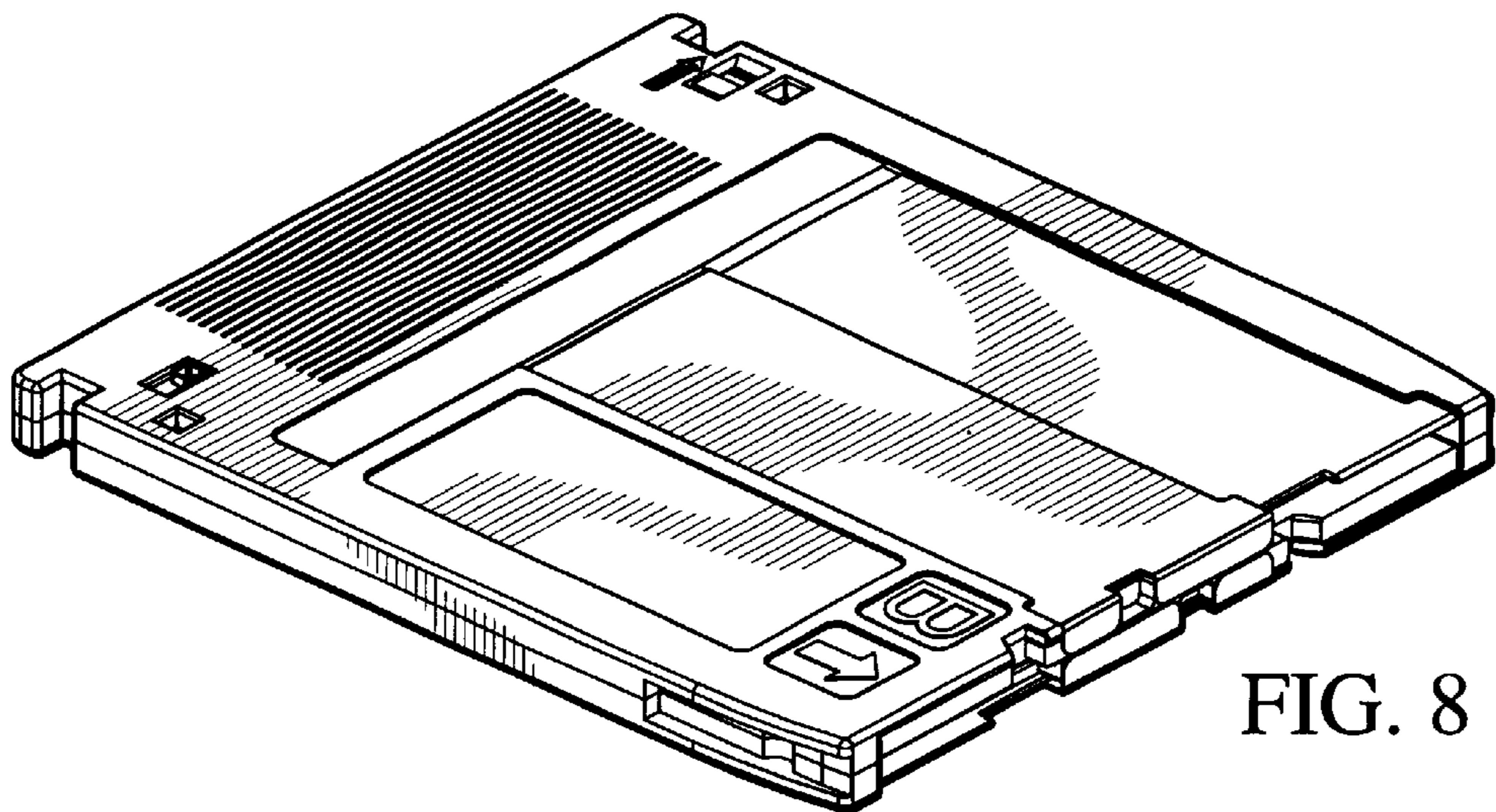


FIG. 8



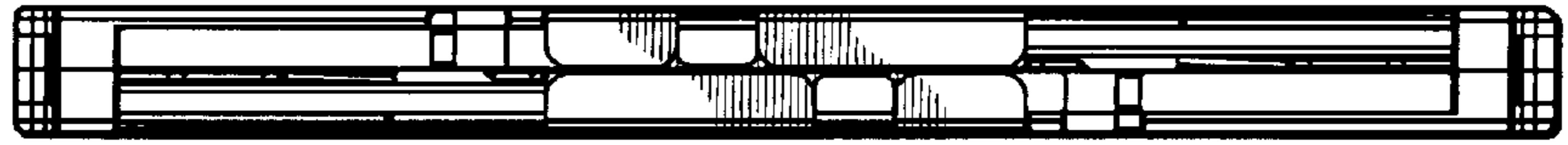


FIG. 3

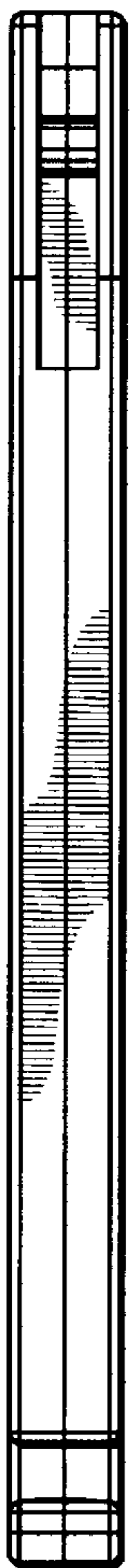


FIG. 4

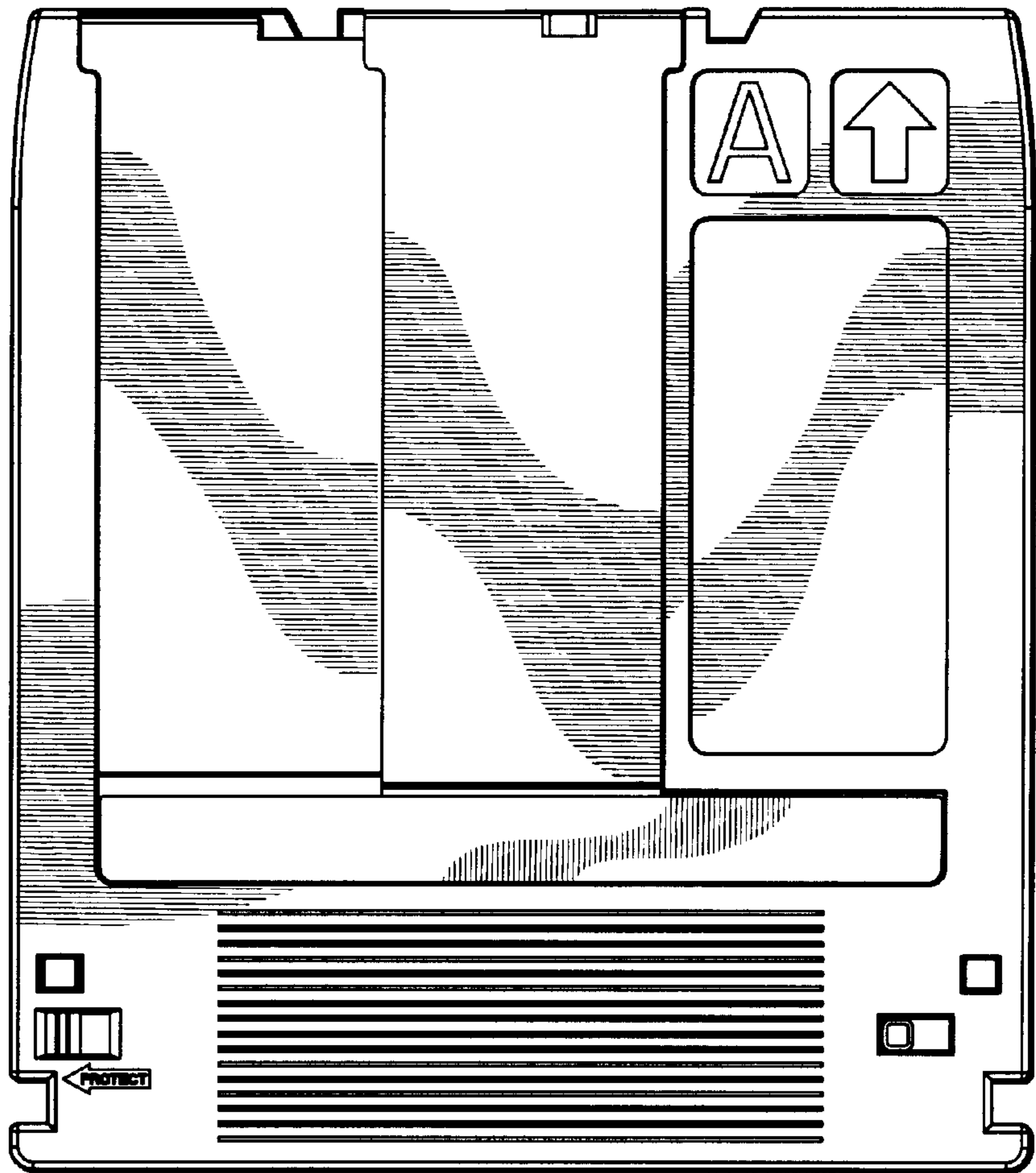


FIG. 2

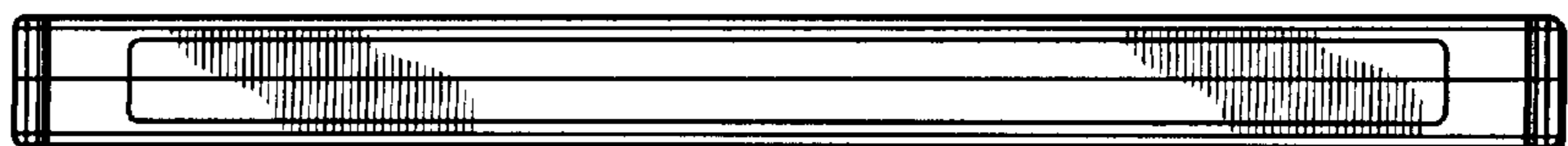


FIG. 5

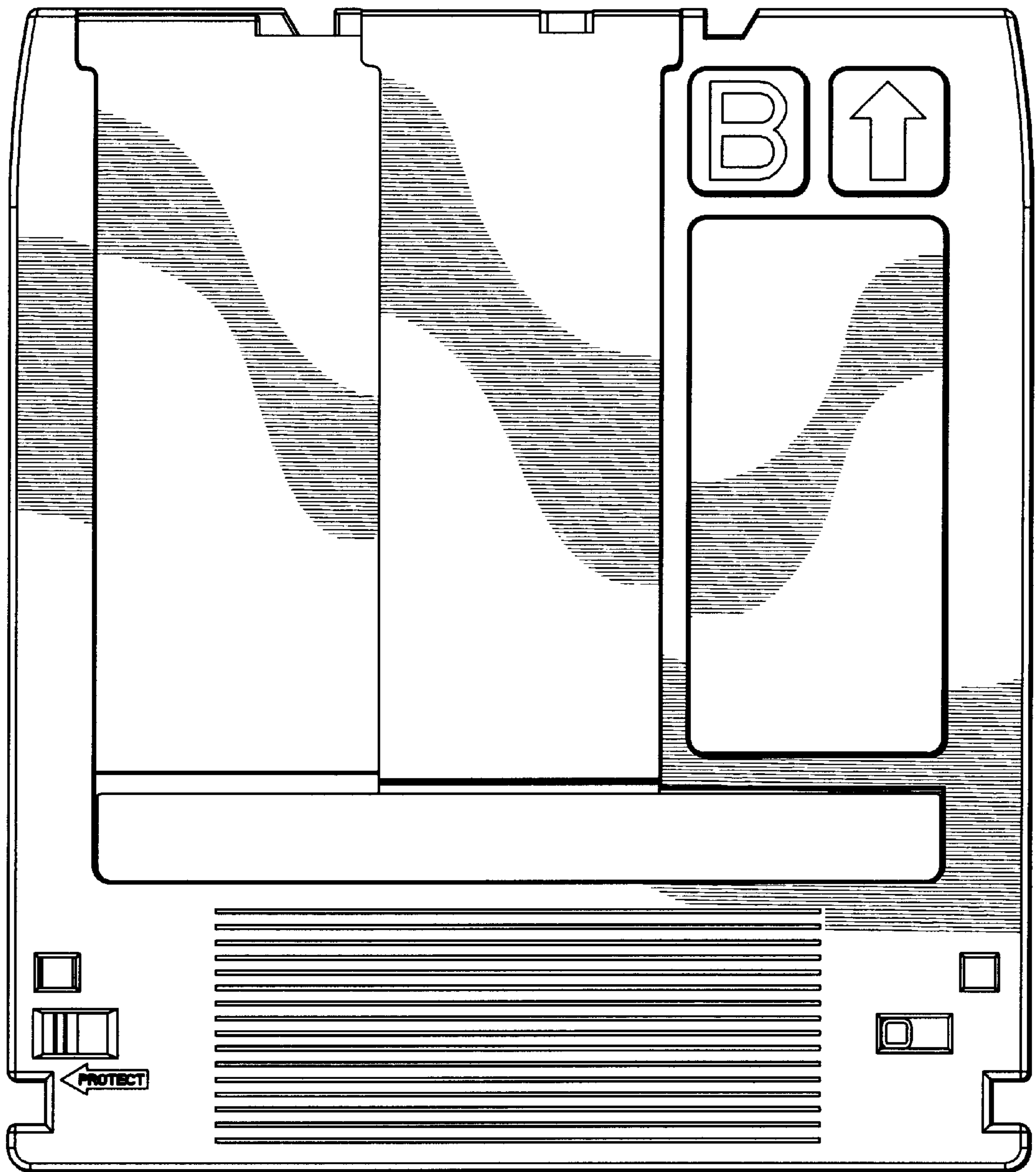


FIG. 6