

US00D466899S

(12) **United States Design Patent**  
**Sim et al.**

(10) **Patent No.:** **US D466,899 S**

(45) **Date of Patent:** **\*\* Dec. 10, 2002**

(54) **KEYBOARD**

(75) Inventors: **Wong Hoo Sim**, Singapore (SG); **Kok Liang Lim**, Singapore (SG)

(73) Assignee: **Creative Technology Limited**, Singapore (SG)

(\*\*) Term: **14 Years**

(21) Appl. No.: **29/146,777**

(22) Filed: **Aug. 15, 2001**

(51) **LOC (7) Cl.** ..... **14-02**

(52) **U.S. Cl.** ..... **D14/395**

(58) **Field of Search** ..... D14/391-396;  
D17/1; 200/5 A, 5 R, 6 A, 6 R; 235/145 A,  
145 R; 341/22, 23; 345/168; 400/484-486,  
488, 489, 492

(56) **References Cited**

**U.S. PATENT DOCUMENTS**

D346,617 S	*	5/1994	Oki	.....	D17/1
D358,808 S	*	5/1995	Murdoch et al.	.....	D14/328
D373,134 S	*	8/1996	Bertram et al.	.....	D14/395
D402,647 S	*	12/1998	Fung et al.	.....	D14/395
D404,057 S	*	1/1999	Miura	.....	D17/1
D404,059 S	*	1/1999	Miura et al.	.....	D17/1

\* cited by examiner

*Primary Examiner*—Freda Nunn

(74) *Attorney, Agent, or Firm*—Baker Botts LLP

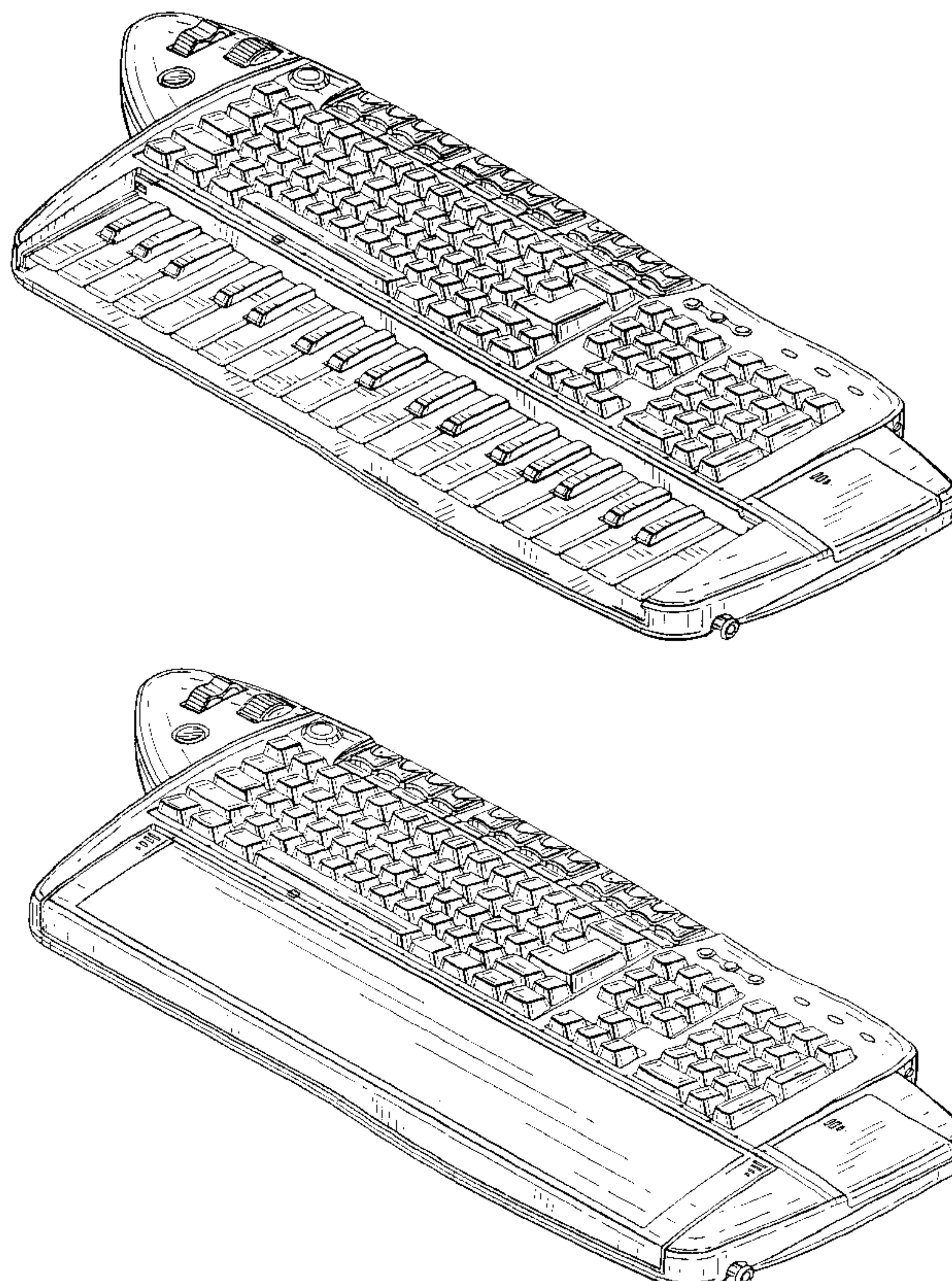
(57) **CLAIM**

The ornamental design for a keyboard, as shown and described.

**DESCRIPTION**

FIG. 1 is a rear view of the inventive keyboard and is common to the palmrest being in place and removed;  
 FIG. 2 is a top view of the inventive keyboard with the palmrest removed;  
 FIG. 3 is a front view of the inventive keyboard with the palmrest removed;  
 FIG. 4 is an underneath view of the inventive keyboard and is common to the palmrest being in place and removed;  
 FIG. 5 is a top view of the inventive keyboard with the palmrest in place;  
 FIG. 6 is a front view of the inventive keyboard with the palmrest in place;  
 FIG. 7 is a right side view of the inventive keyboard and is common to the palmrest being in place and removed;  
 FIG. 8 is a left side view of the inventive keyboard and is common to the palmrest being in place and removed;  
 FIG. 9 is a top perspective view of the inventive keyboard with the palmrest removed;  
 FIG. 10 is an underneath perspective view and is common to the palmrest being in place and removed; and,  
 FIG. 11 is a top perspective view of the inventive keyboard with the palmrest in place.

**1 Claim, 7 Drawing Sheets**



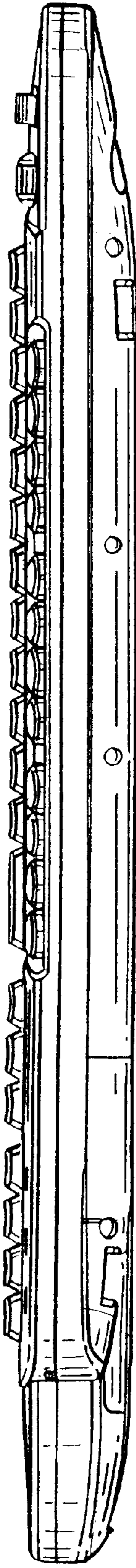


FIG. 1

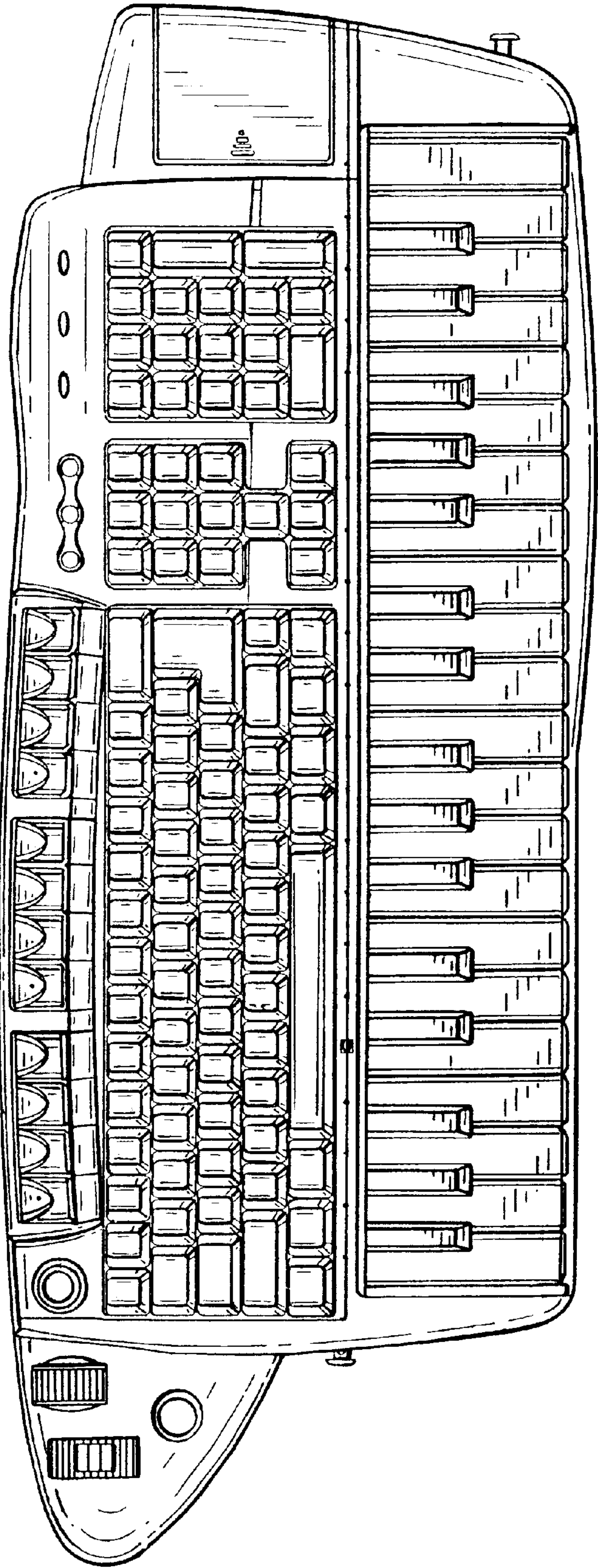


FIG. 2



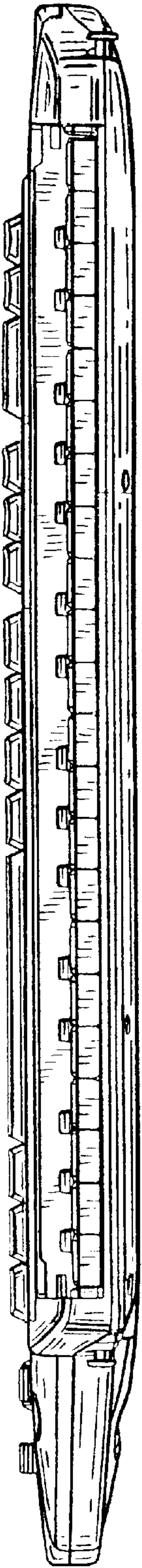


FIG. 3

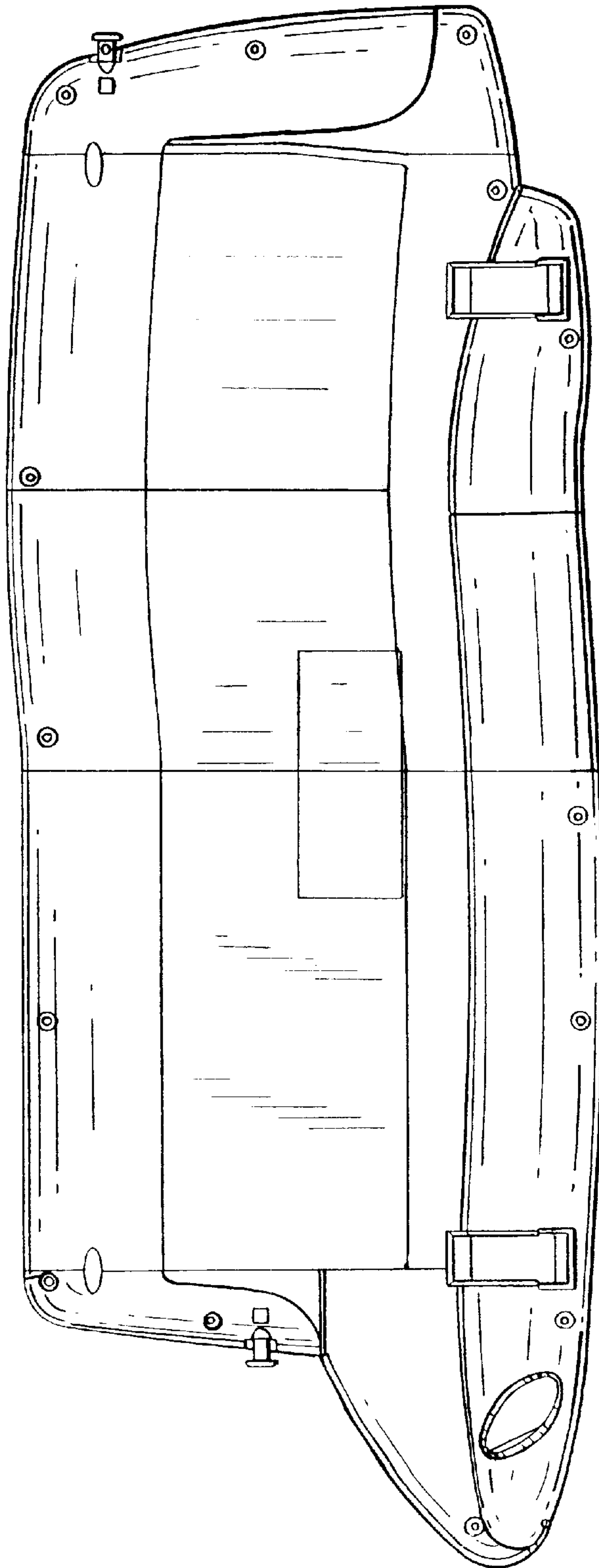
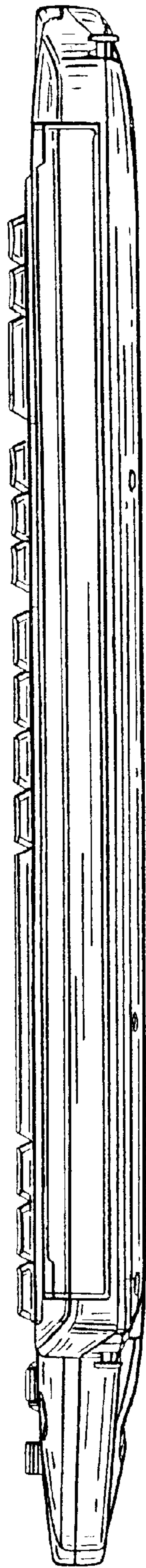
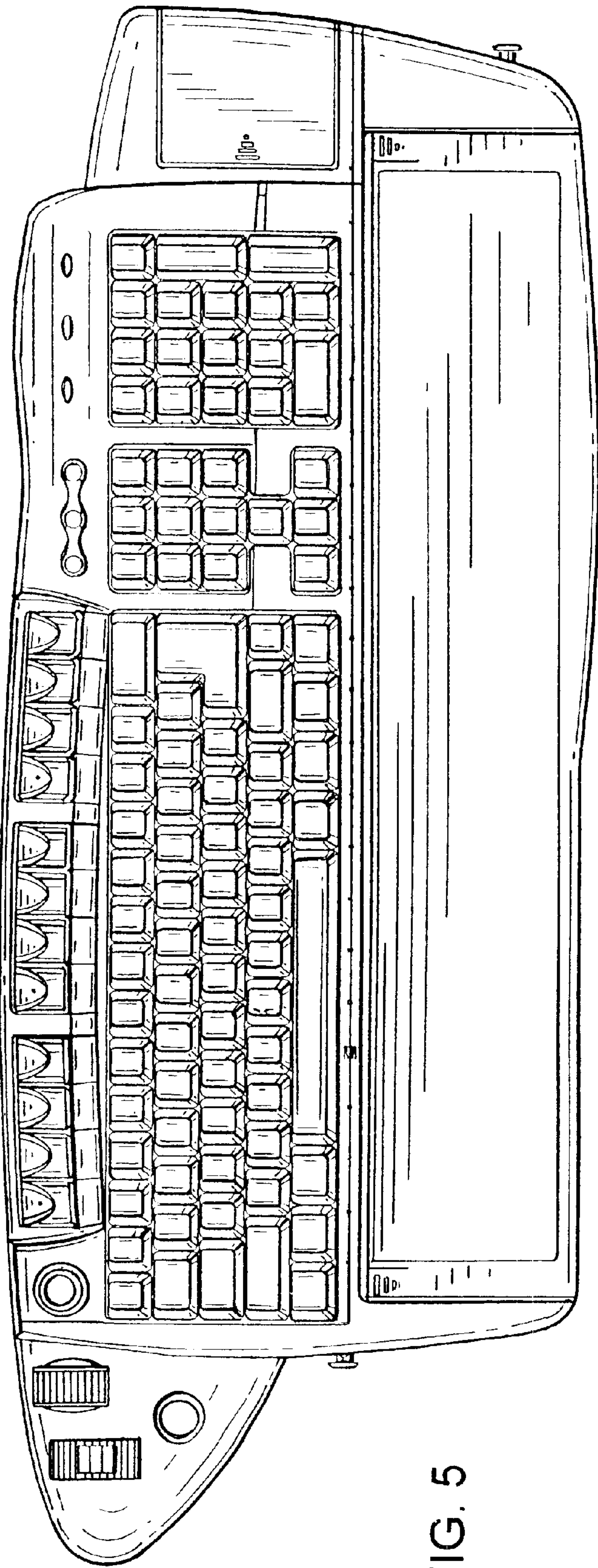


FIG. 4



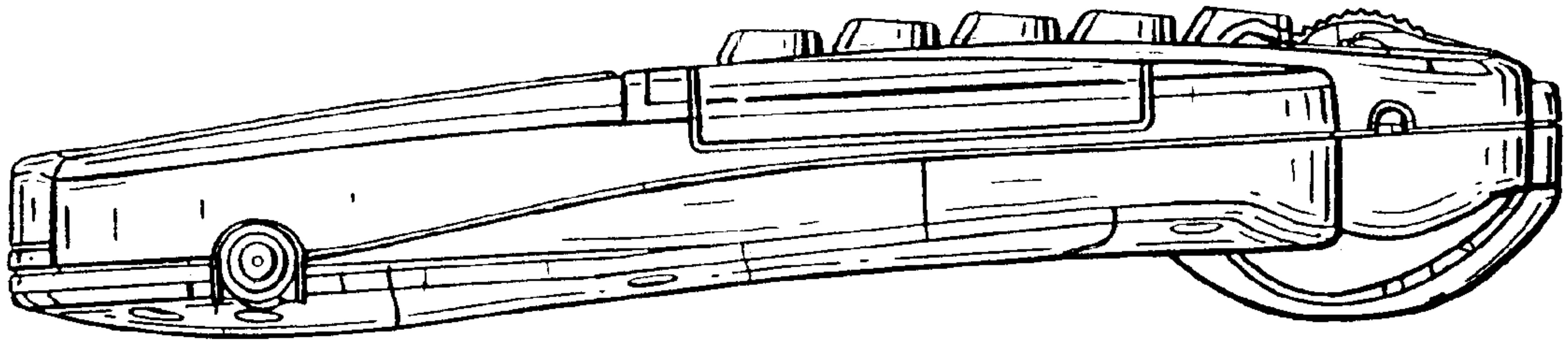


FIG. 7

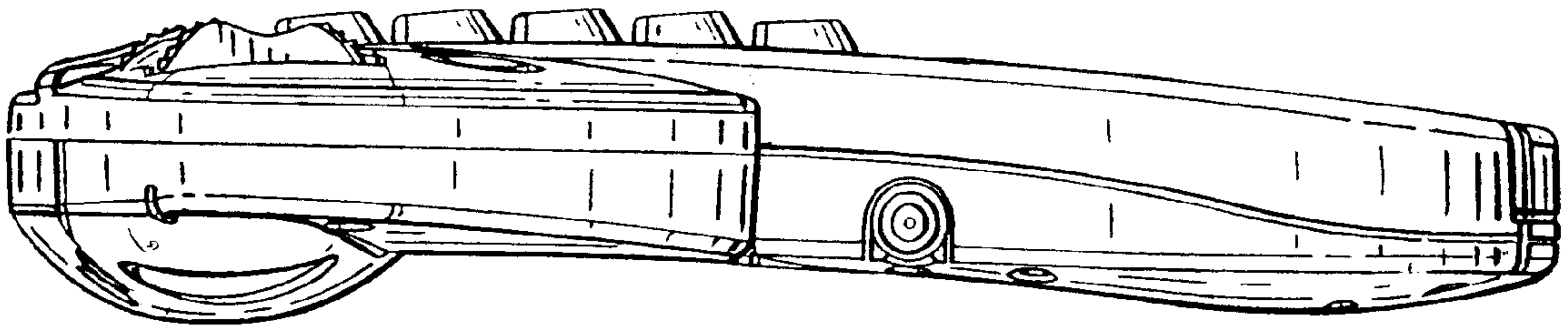


FIG. 8



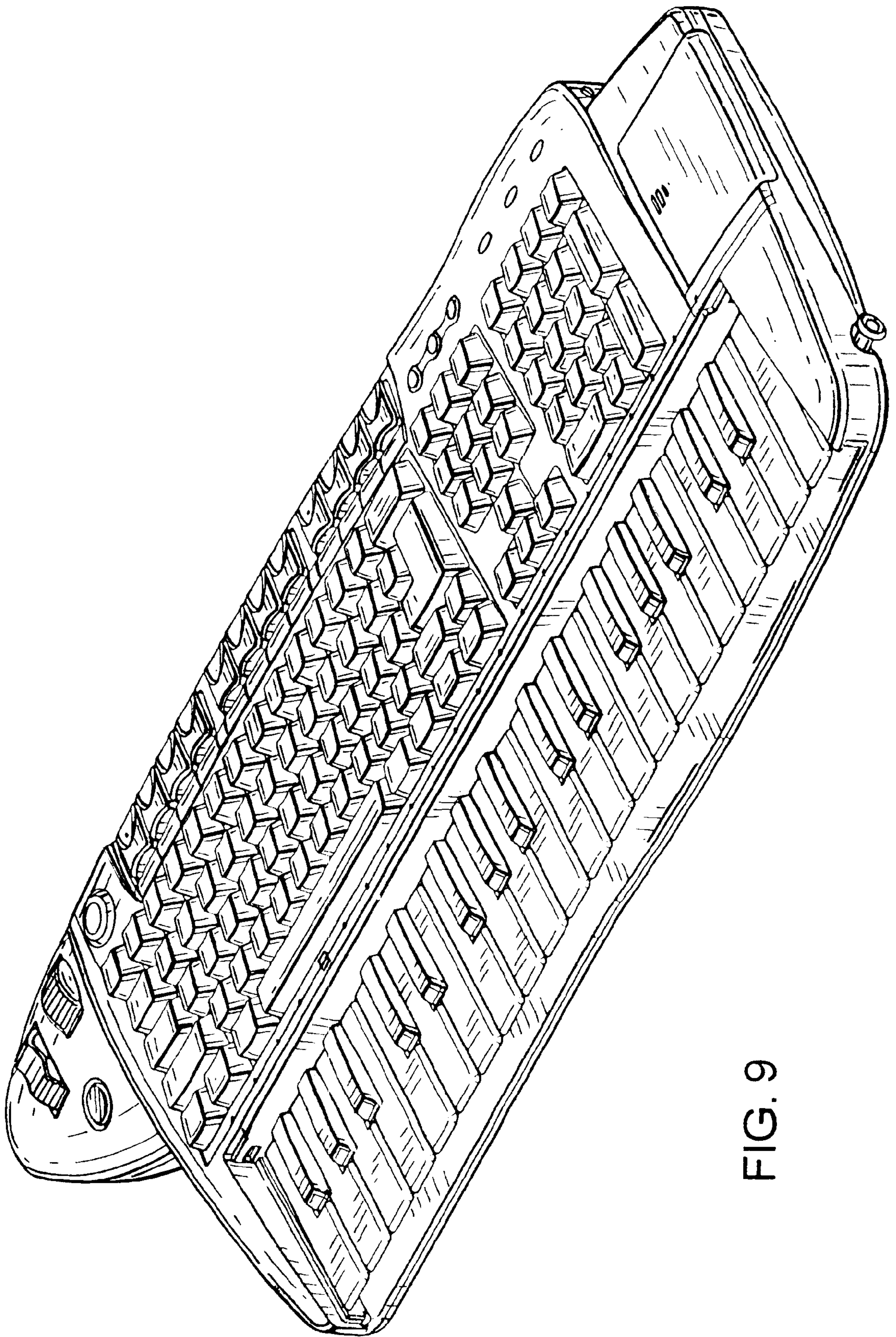


FIG. 9

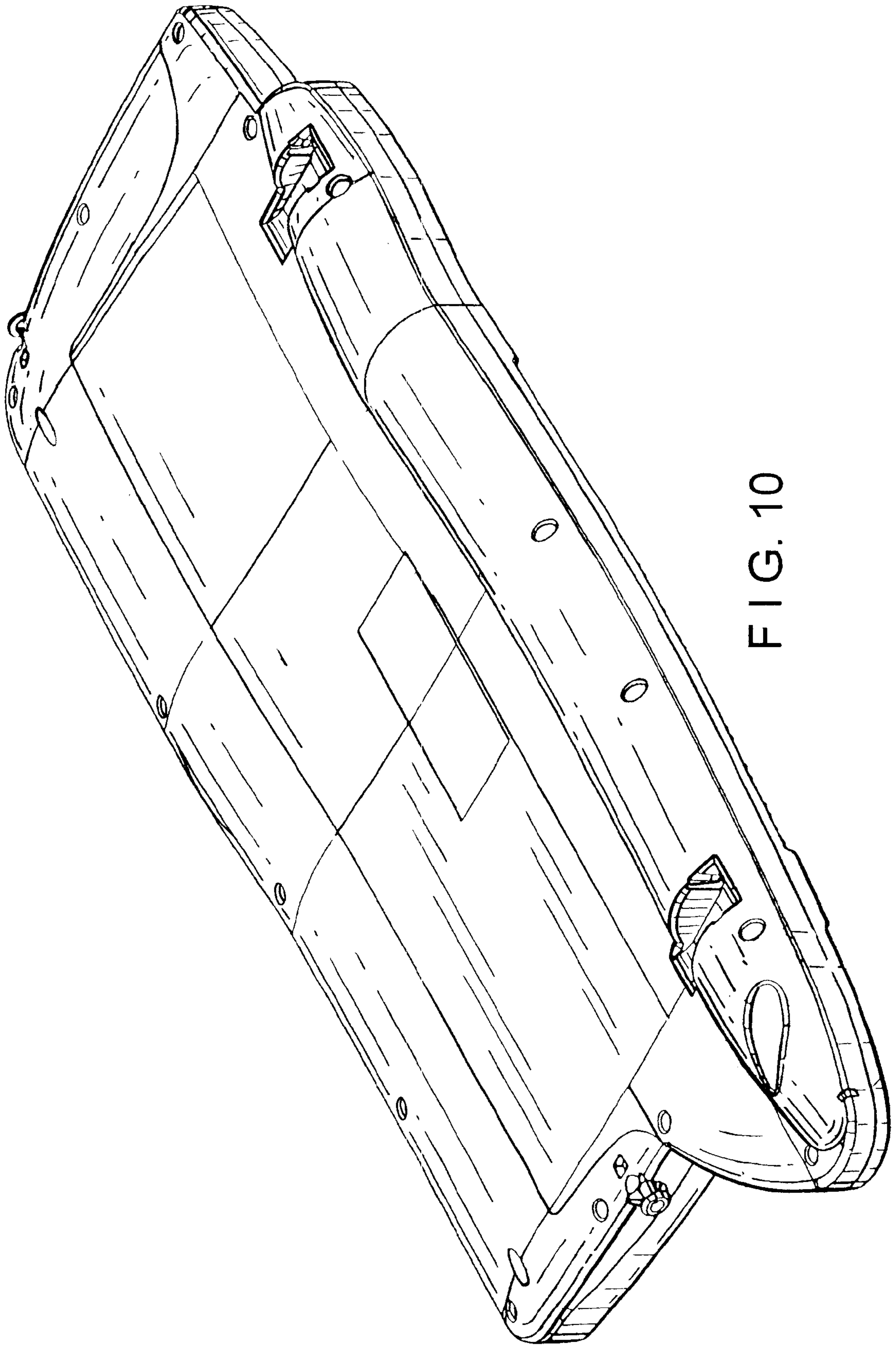


FIG. 10



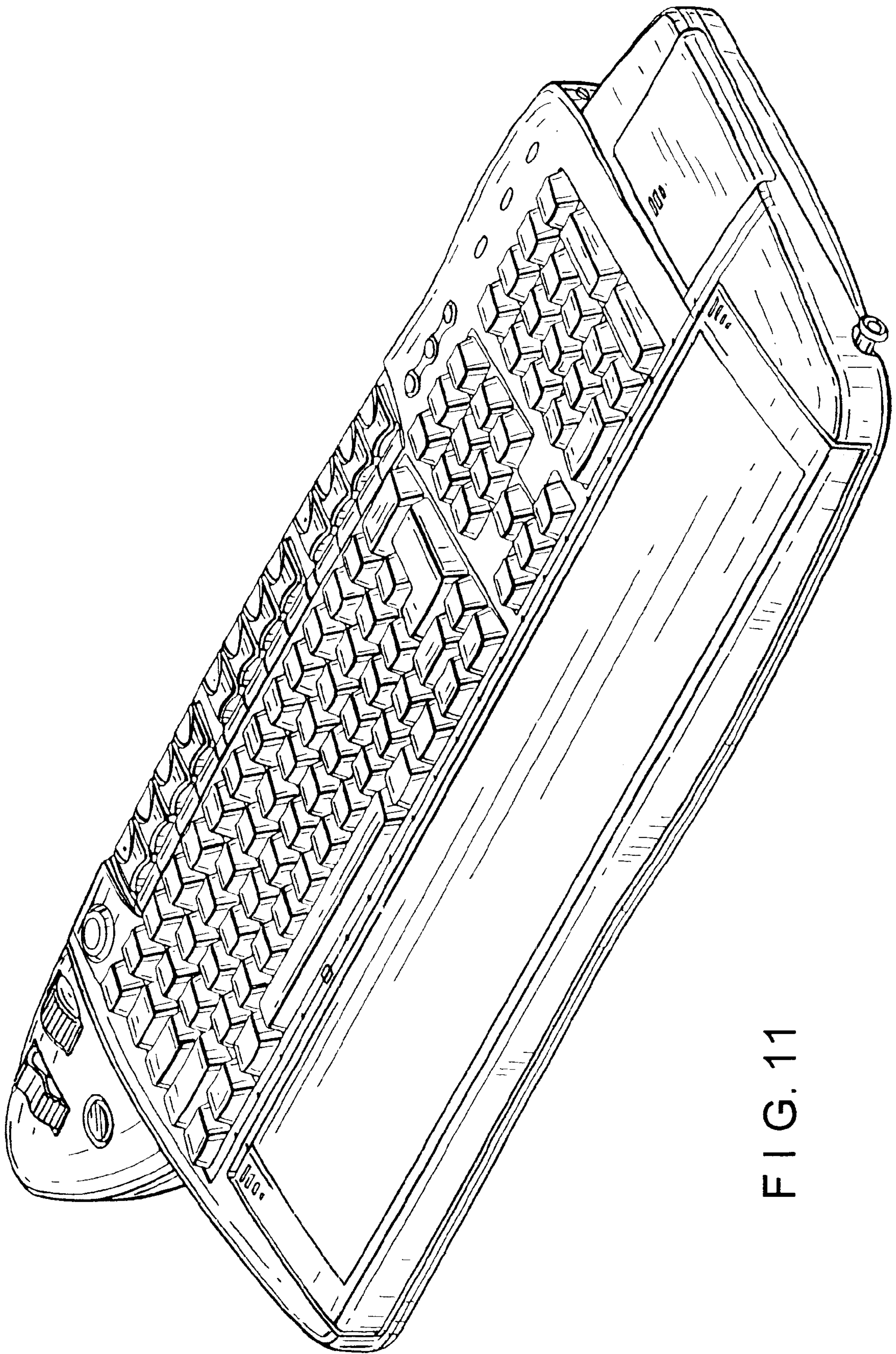


FIG. 11