



US00D466897S

(12) **United States Design Patent**  
**Hata**

(10) **Patent No.:** **US D466,897 S**

(45) **Date of Patent:** **\*\* Dec. 10, 2002**

(54) **COMBINED DISPLAY MONITOR AND DATA COPYING MACHINE**

D435,256 S 12/2000 Hibino  
6,172,360 B1 \* 1/2001 Khovaylo et al. .... 250/208.1  
D438,538 S 3/2001 Ogasawara

(75) Inventor: **Masayuki Hata**, Tokyo (JP)

\* cited by examiner

(73) Assignee: **Sony Corporation**, Tokyo (JP)

*Primary Examiner*—Freda Nunn

(\*\*) Term: **14 Years**

(74) *Attorney, Agent, or Firm*—Rader, Fishman & Grauer PLLC

(21) Appl. No.: **29/150,062**

(57) **CLAIM**

(22) Filed: **Nov. 2, 2001**

The ornamental design for a combined display monitor and data copying machine, as shown and described.

(51) **LOC (7) Cl.** ..... **14-02**

(52) **U.S. Cl.** ..... **D14/371**

(58) **Field of Search** ..... D14/345, 341,  
D14/315, 322, 368, 371; D18/36, 50, 54;  
345/179, 823; 708/110; 250/235, 208.1;  
178/18.03; 361/680-686

**DESCRIPTION**

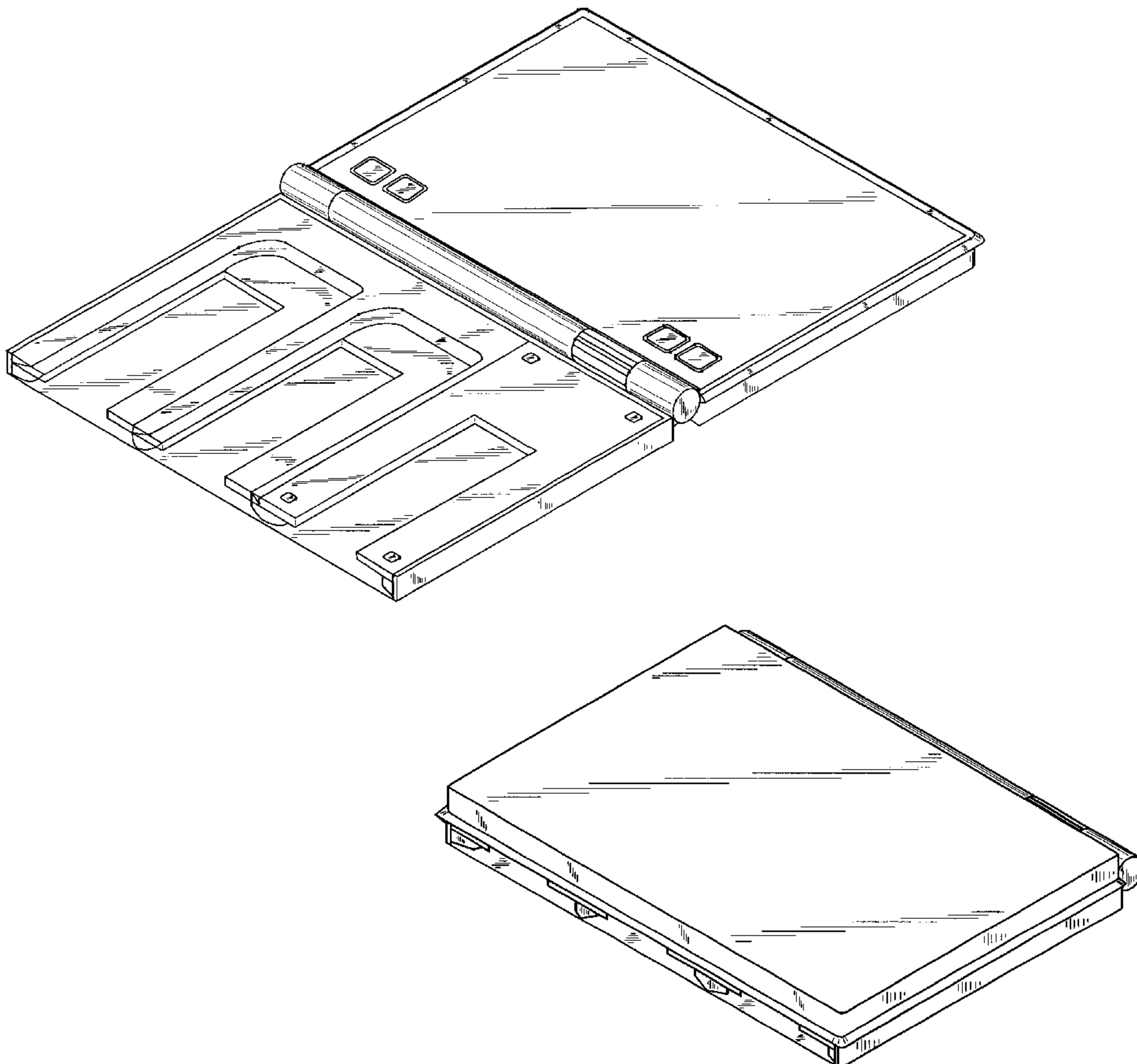
(56) **References Cited**

**U.S. PATENT DOCUMENTS**

- 5,049,862 A \* 9/1991 Dao et al. .... 178/18.03
- D321,175 S \* 10/1991 Tsuchiya ..... D14/368
- 5,109,354 A \* 4/1992 Yamashita et al. .... 361/681
- D338,455 S \* 8/1993 Suge ..... D14/345
- 5,250,929 A \* 10/1993 Hoffman et al. .... 178/18.03
- D410,908 S 6/1999 Oba
- D415,474 S 10/1999 Goto

FIG. 1 is a perspective view of a combined display monitor and data copying machine showing my new design;  
 FIG. 2 is a front elevational view thereof;  
 FIG. 3 is a rear elevational view thereof;  
 FIG. 4 is a left side elevational view thereof;  
 FIG. 5 is a right side elevational view thereof;  
 FIG. 6 is a top plan view thereof;  
 FIG. 7 is a bottom plan view thereof;  
 FIG. 8 is another perspective view thereof, in the closed position; and,  
 FIG. 9 is another right side view thereof, in the using condition.

**1 Claim, 6 Drawing Sheets**



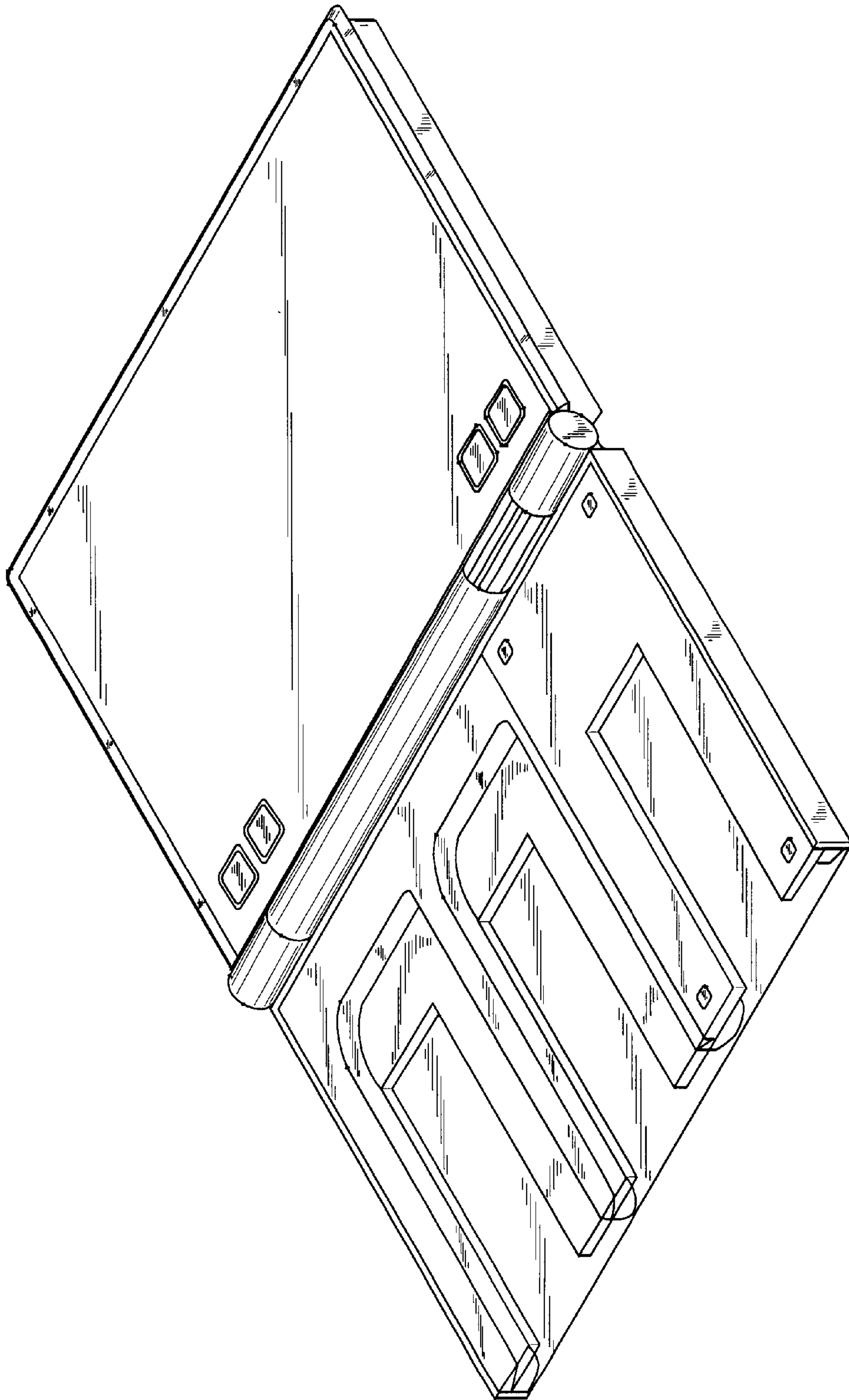
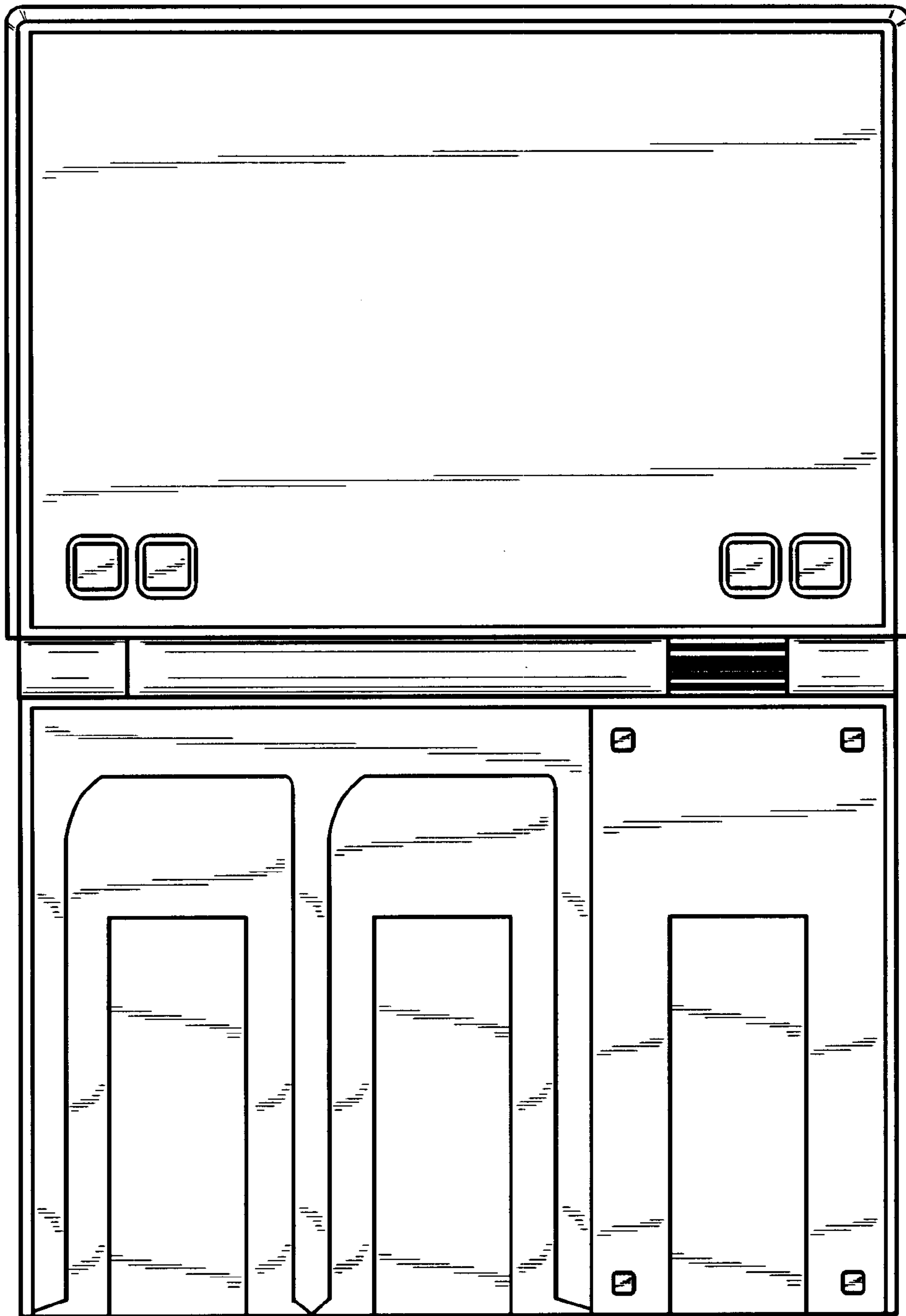
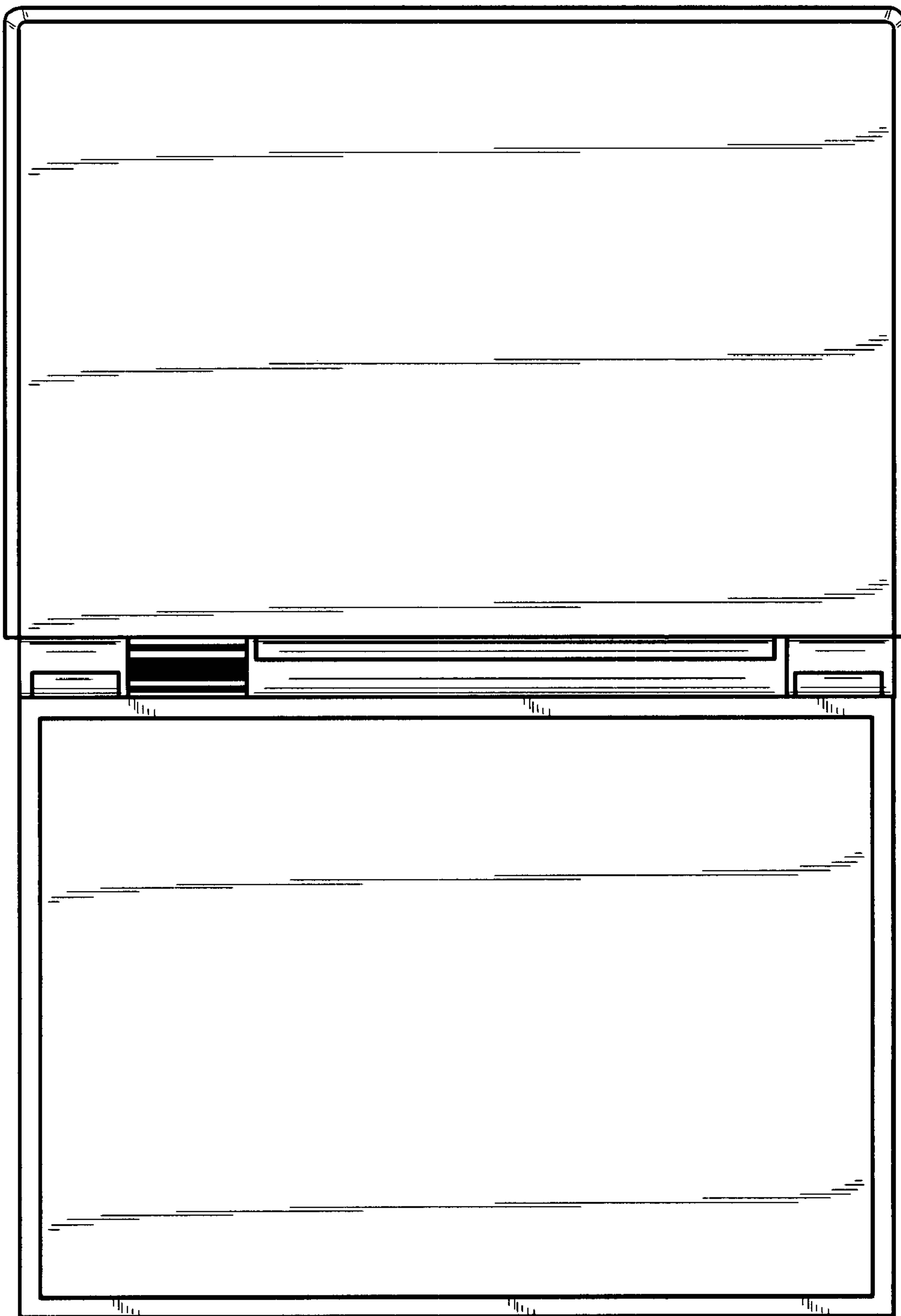


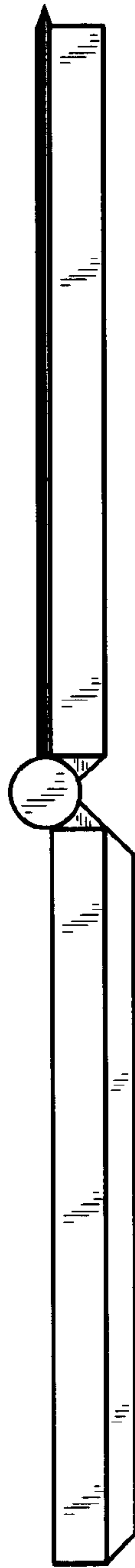
Fig. 1



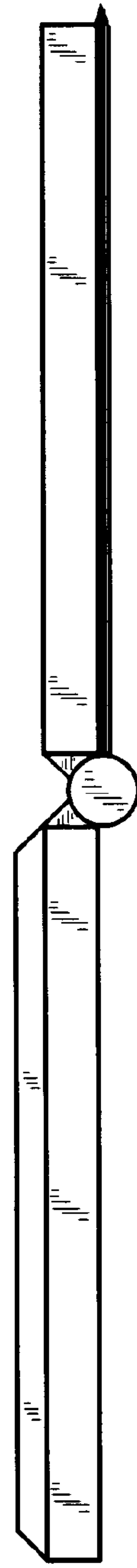
**Fig. 2**



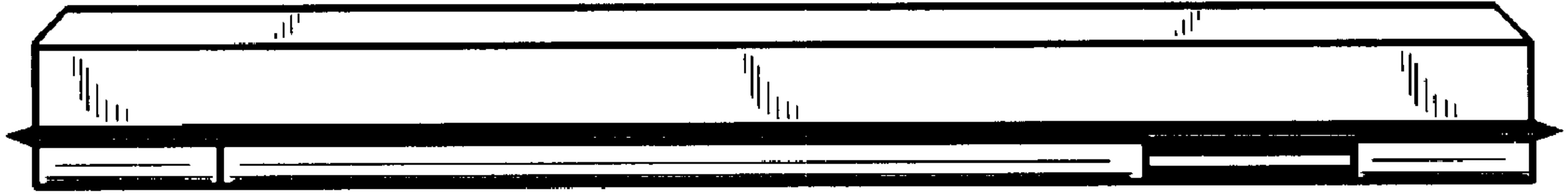
**Fig. 3**



**Fig. 4**



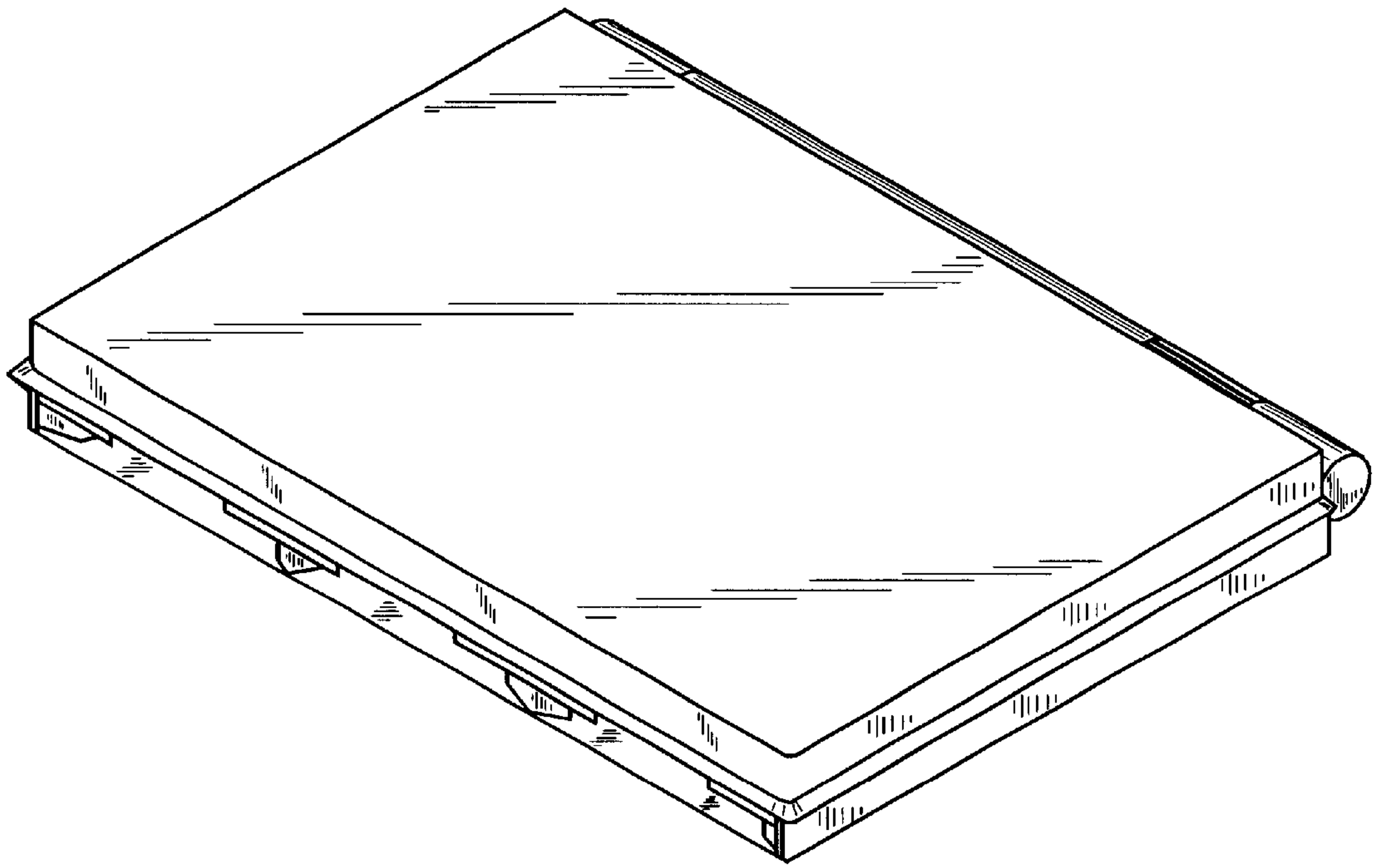
**Fig. 5**



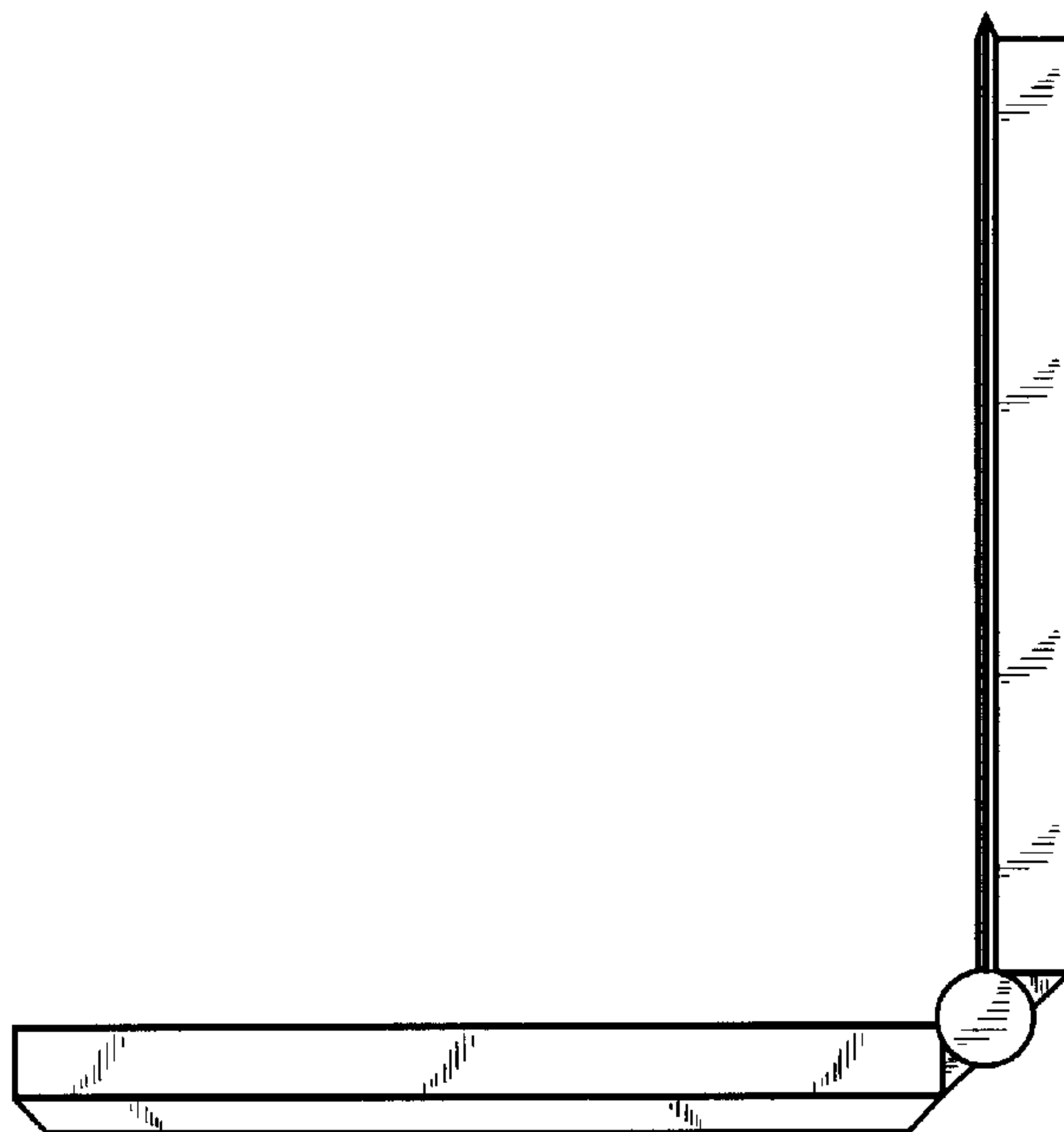
**Fig. 6**



**Fig. 7**



**Fig. 8**



**Fig. 9**