



US00D466895S

(12) **United States Design Patent**  
**Wang et al.**

(10) **Patent No.:** **US D466,895 S**

(45) **Date of Patent:** **\*\* Dec. 10, 2002**

(54) **COMPUTER ENCLOSURE**

(75) Inventors: **Liang Chin Wang**, Taipei (TW); **Yu Tai Liu**, Taipei (TW)

(73) Assignee: **Hon Hai Precision Ind. Co., Ltd.**, Taipei Hsien (TW)

(\*\*) Term: **14 Years**

(21) Appl. No.: **29/153,165**

(22) Filed: **Jan. 7, 2002**

(51) **LOC (7) Cl.** ..... **14-02**

(52) **U.S. Cl.** ..... **D14/351**

(58) **Field of Search** ..... D14/349, 351-356;  
D13/167, 184, 199; 312/223.1, 223.2, 223.3;  
360/99.12; 361/690-696; 369/34.01, 36.01

(56) **References Cited**

**U.S. PATENT DOCUMENTS**

D386,753 S \* 11/1997 In-Seok ..... D14/351

D424,031 S \* 5/2000 Daly ..... D14/349

D431,563 S \* 10/2000 Jean et al. .... D14/349

D438,203 S \* 2/2001 Lai ..... D14/349

\* cited by examiner

*Primary Examiner*—Freda Nunn

(74) *Attorney, Agent, or Firm*—Wei Te Chung

(57) **CLAIM**

The ornamental design for a computer enclosure, as shown.

**DESCRIPTION**

FIG. 1 is a perspective view of a computer enclosure of our new design;

FIG. 2 is a front elevational view thereof;

FIG. 3 is a rear elevational view thereof;

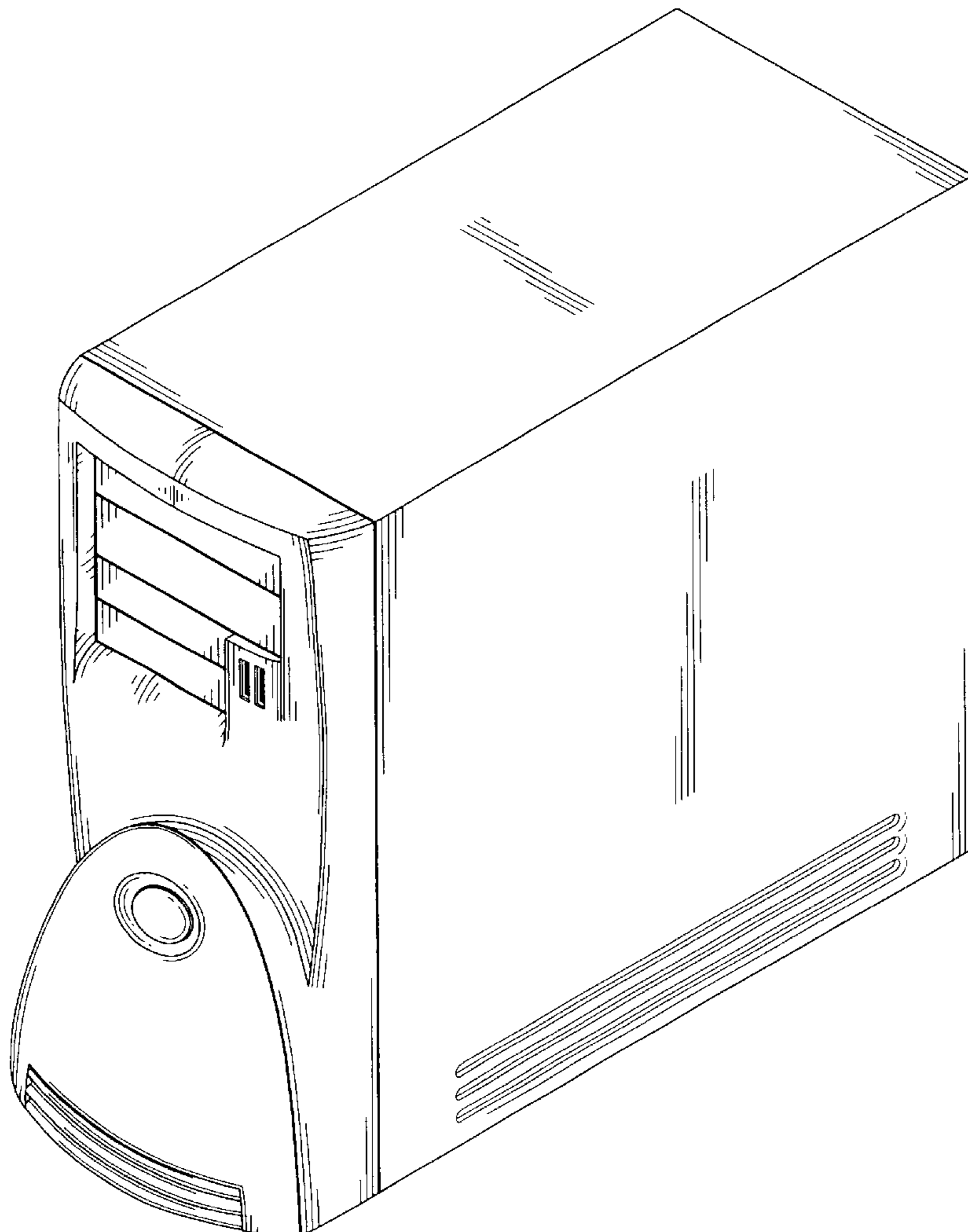
FIG. 4 is a left side elevational view thereof;

FIG. 5 is a right side elevational view thereof;

FIG. 6 is a top plan view thereof; and,

FIG. 7 is a bottom plan view thereof.

**1 Claim, 6 Drawing Sheets**



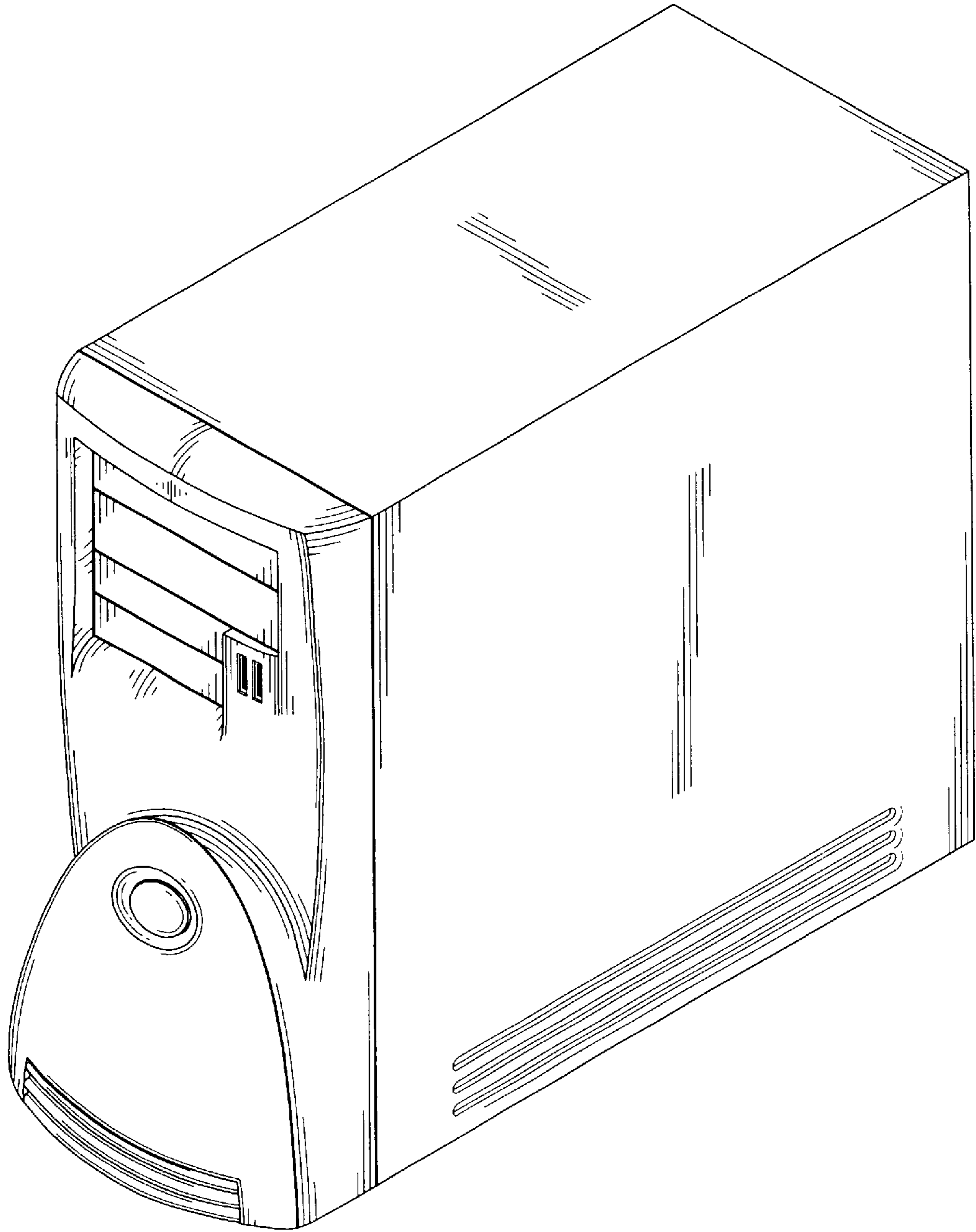


FIG. 1

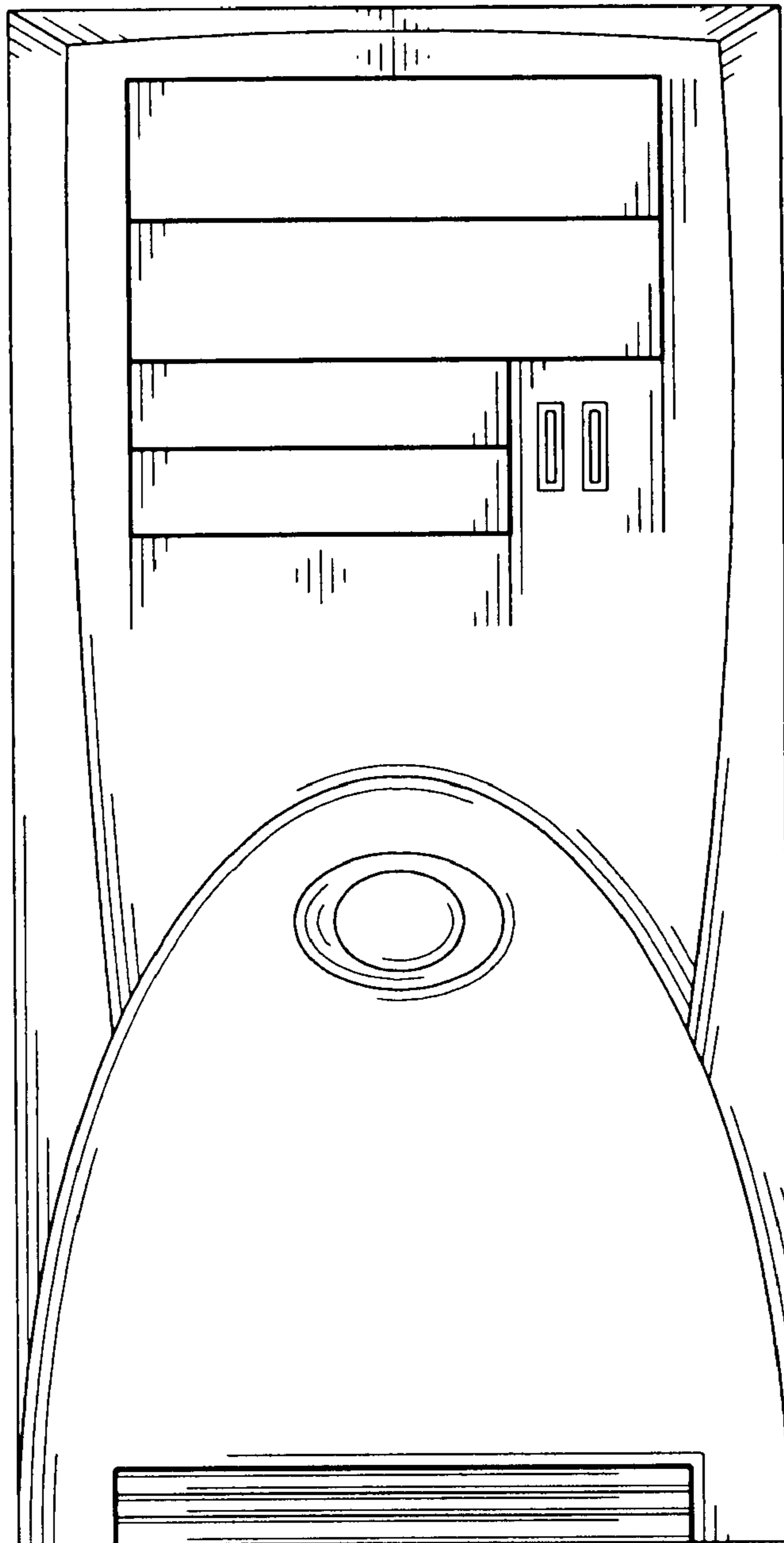


FIG. 2

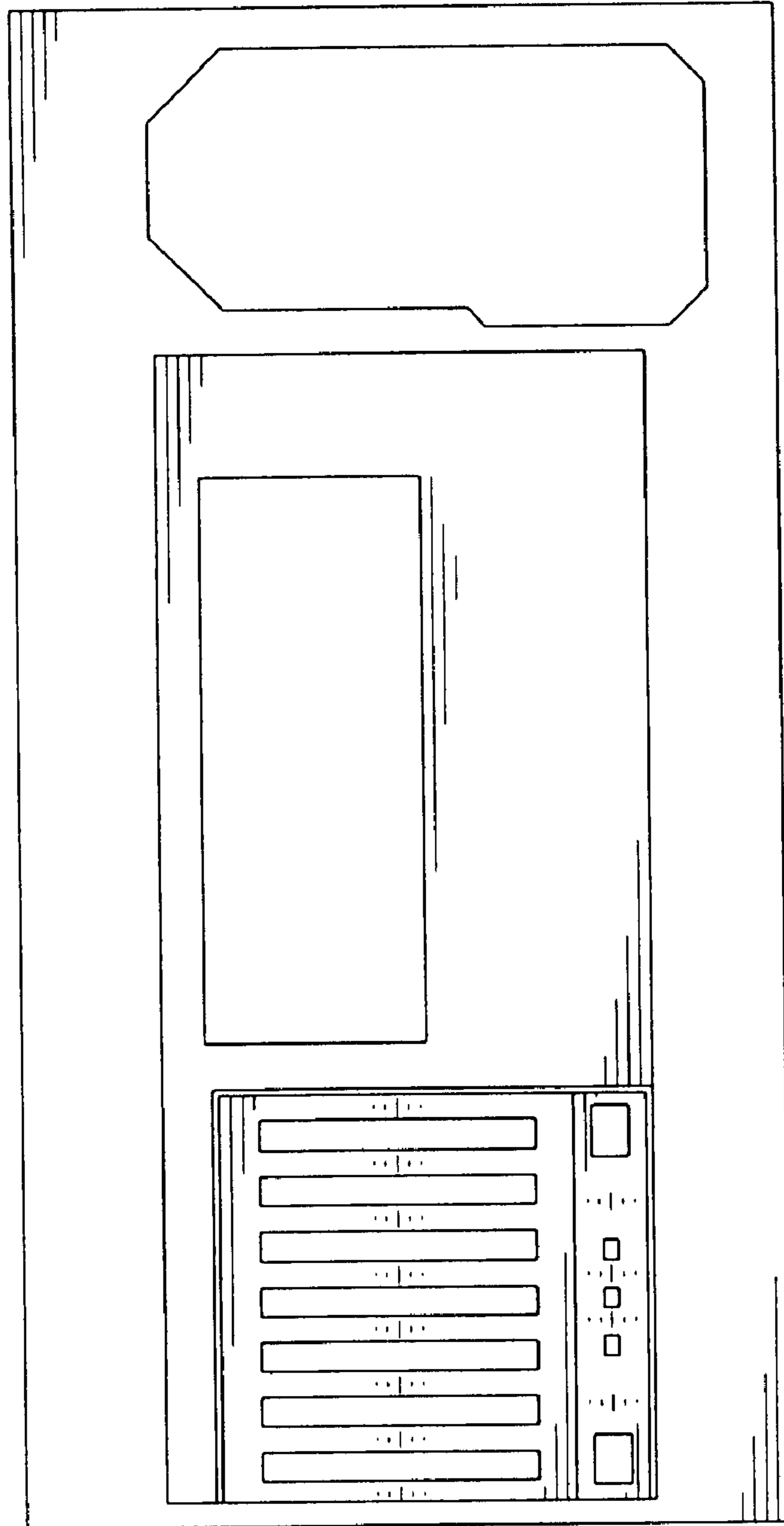


FIG. 3

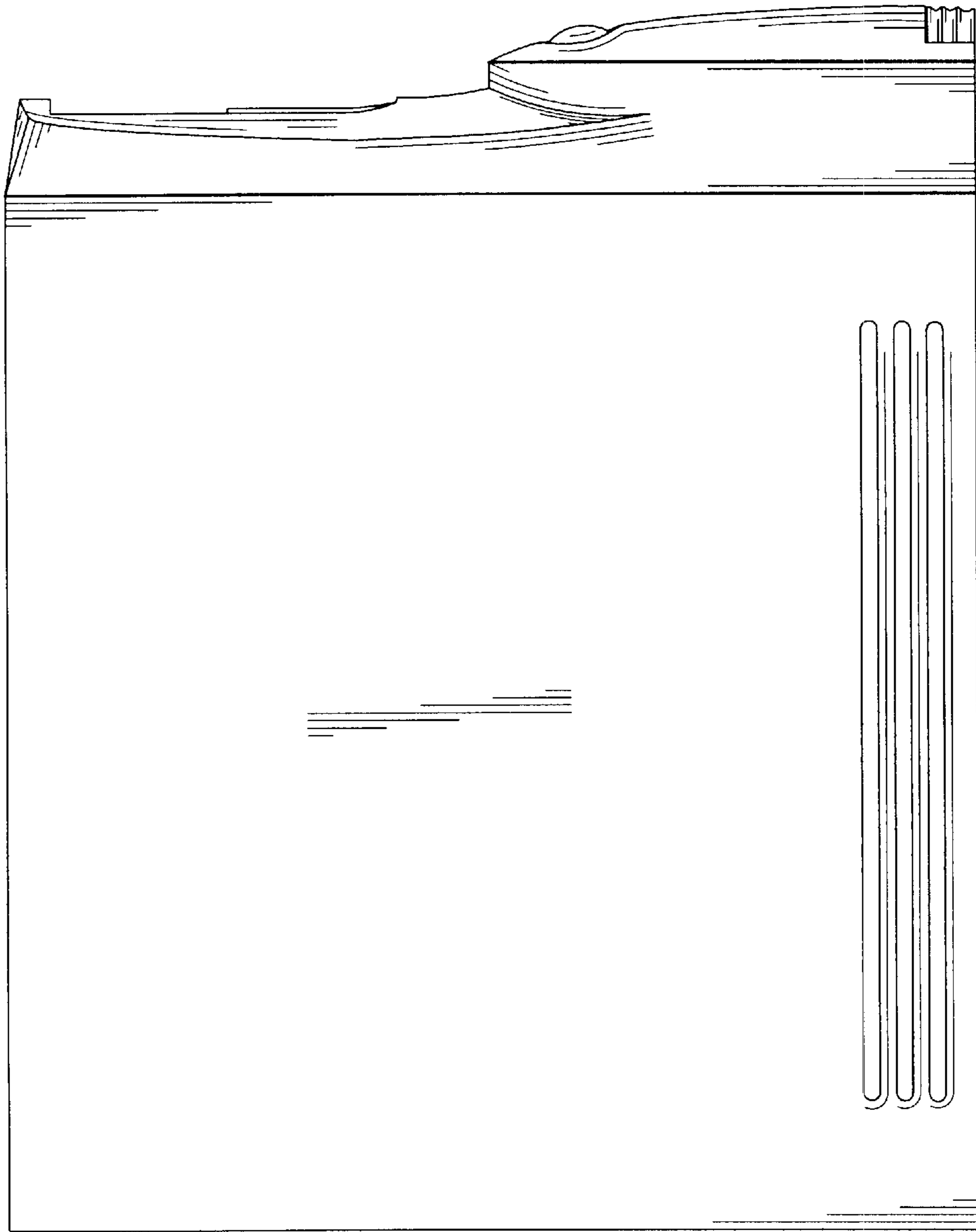


FIG. 4

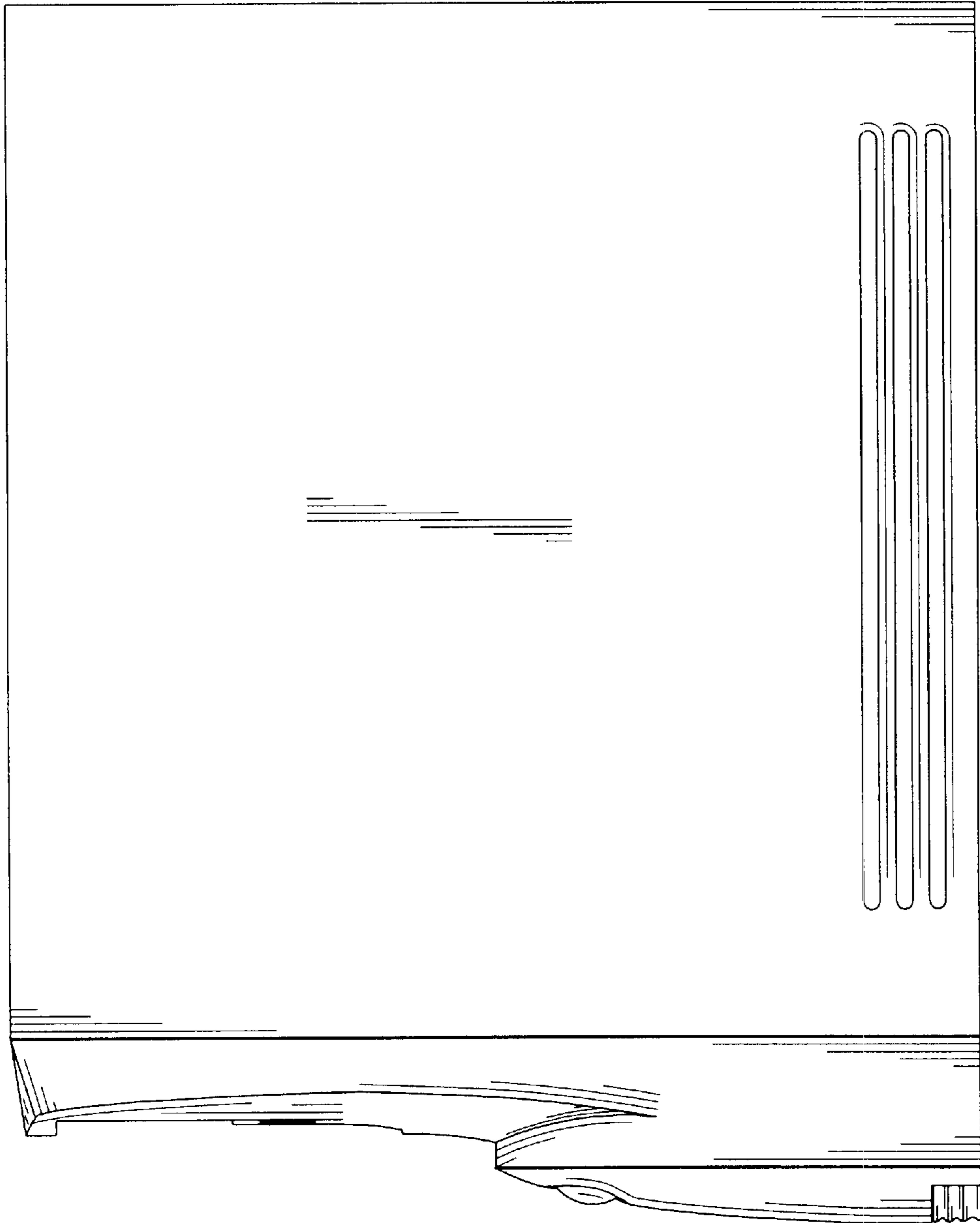


FIG. 5

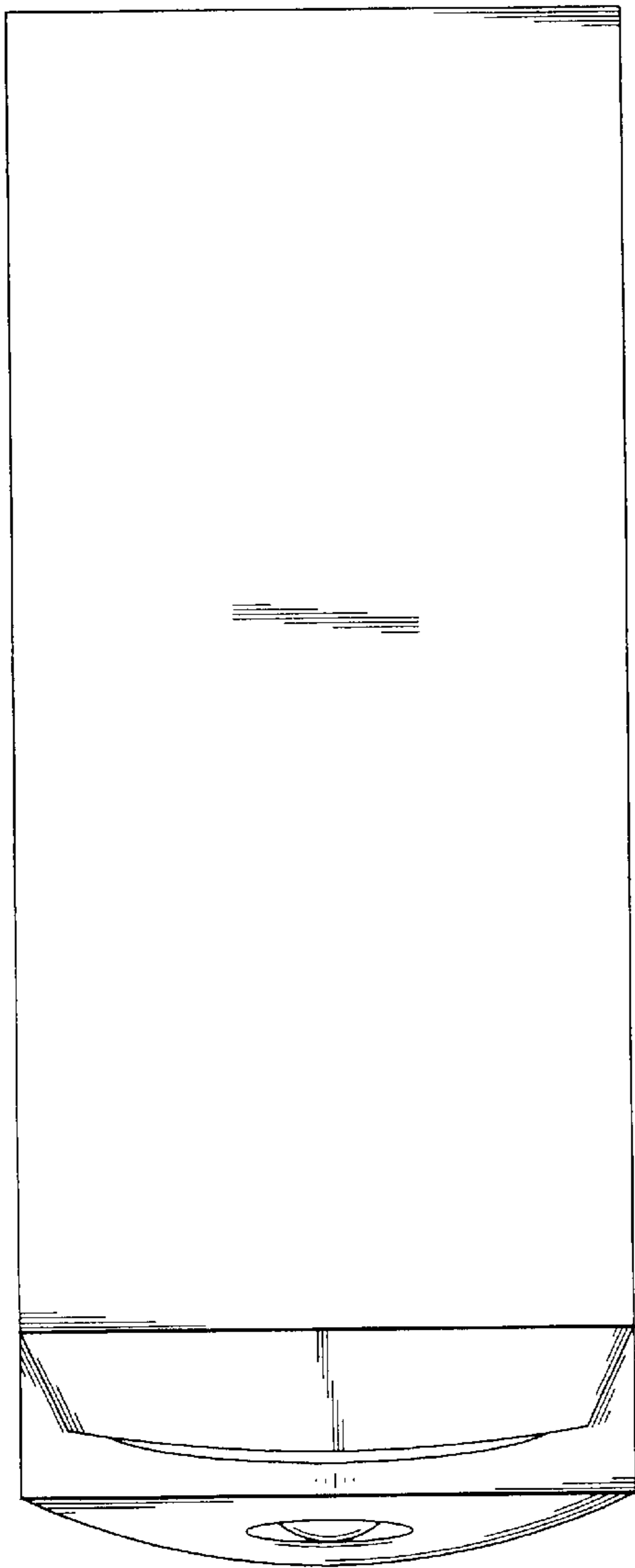


FIG. 6

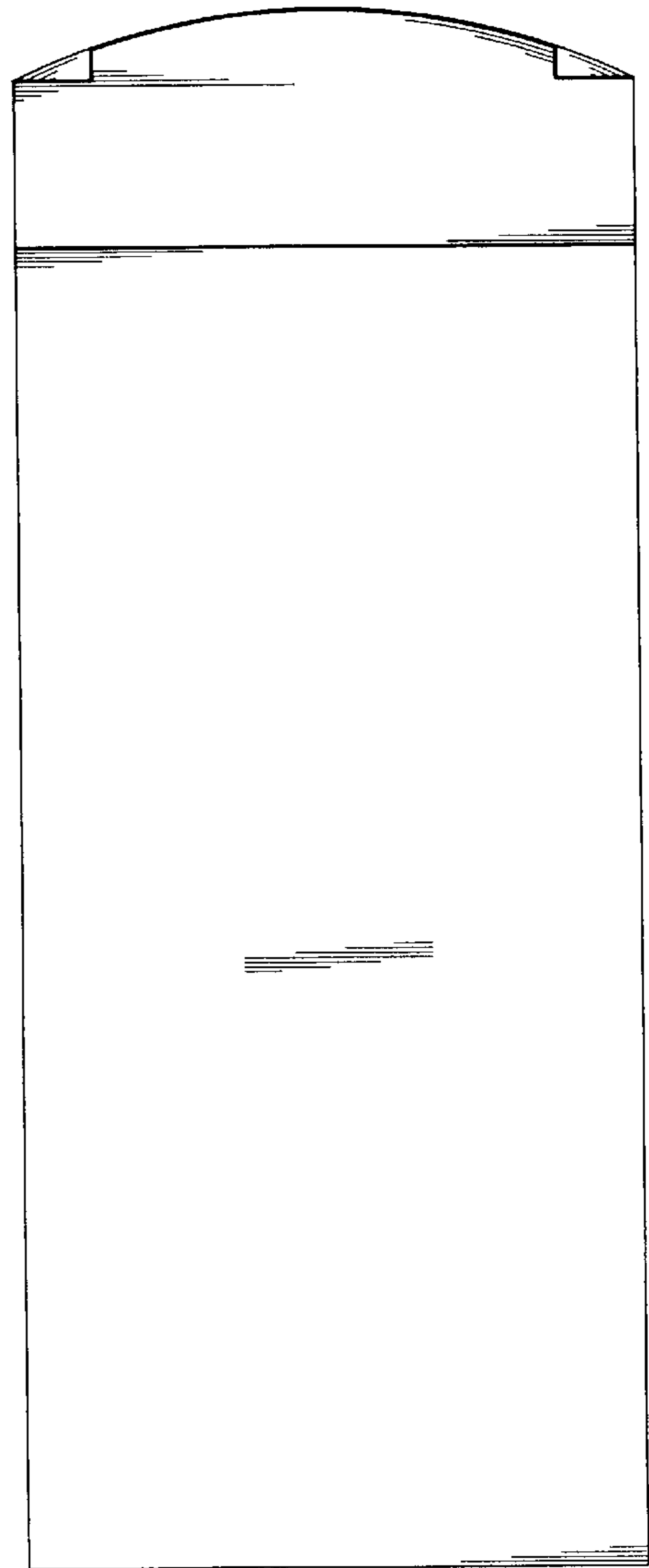


FIG. 7