



US00D466891S

(12) **United States Design Patent**
Gustavsson et al.

(10) **Patent No.:** **US D466,891 S**

(45) **Date of Patent:** **** Dec. 10, 2002**

(54) **APPARATUS FRONT**

(75) Inventors: **Erik Gustavsson**, Linköping (SE);
Stephan Söderholm, Västra Frölunda (SE)

(73) Assignee: **Sensitor Technologies AB**, Linköping (SE)

(**) Term: **14 Years**

(21) Appl. No.: **29/134,814**

(22) Filed: **Dec. 28, 2000**

(30) **Foreign Application Priority Data**

Jun. 30, 2000 (SE) 00-1225

(51) **LOC (7) Cl.** **14-99**

(52) **U.S. Cl.** **D14/257**

(58) **Field of Search** D14/135-136,
D14/156-157, 167-168, 188, 193-198,
257-258; 369/75.1, 75.2, 77.1, 77.2; 455/344,
347-348, 350-351

(56) **References Cited**

U.S. PATENT DOCUMENTS

- D310,370 S * 9/1990 Repasky et al. D14/258
- D312,456 S * 11/1990 Kasparian et al. D14/157
- D394,017 S * 5/1998 Liao et al. D14/258
- 5,862,468 A * 1/1999 Kim 455/348
- D422,590 S * 4/2000 Kloss D14/194

* cited by examiner

Primary Examiner—Nanda Bondade

(74) *Attorney, Agent, or Firm*—Baker & Daniels

(57) **CLAIM**

The ornamental design of apparatus front, as shown.

DESCRIPTION

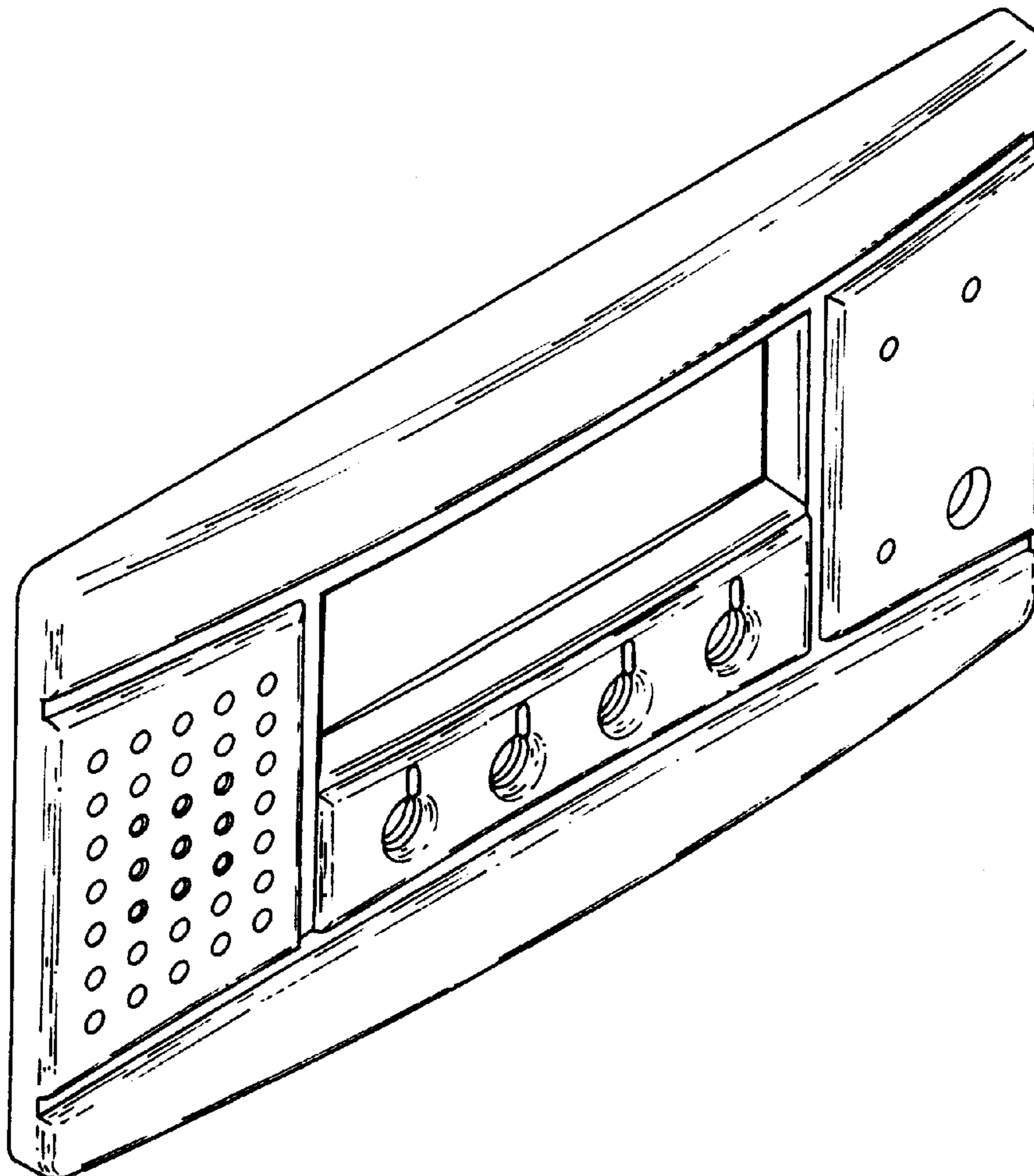
FIG. 1 is an elevational front view of an apparatus front showing our new design;

FIG. 2 is a top view thereof;

FIG. 3 is an elevational rear view thereof; and,

FIG. 4 is a perspective view thereof.

1 Claim, 2 Drawing Sheets



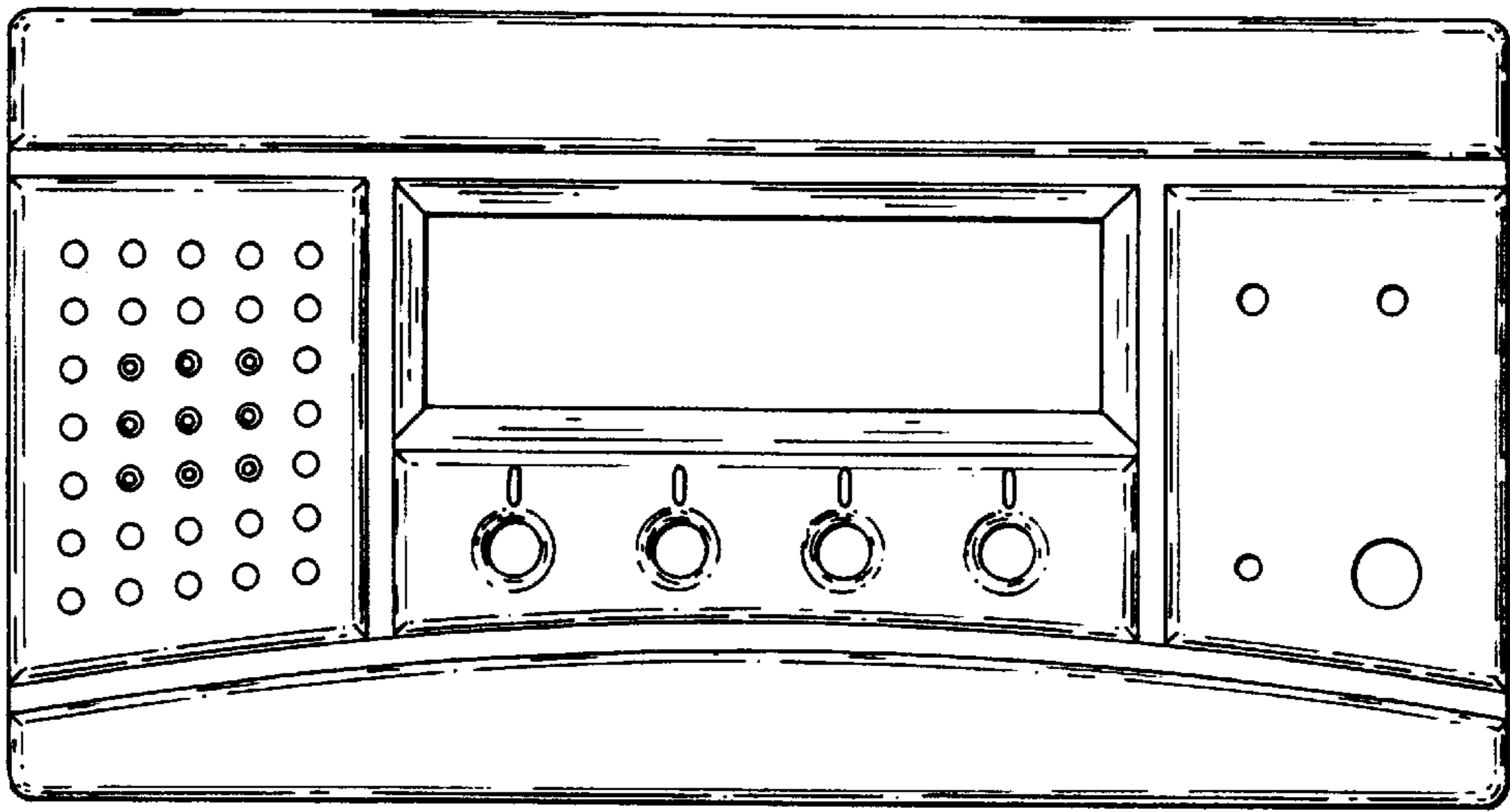


FIG. 1

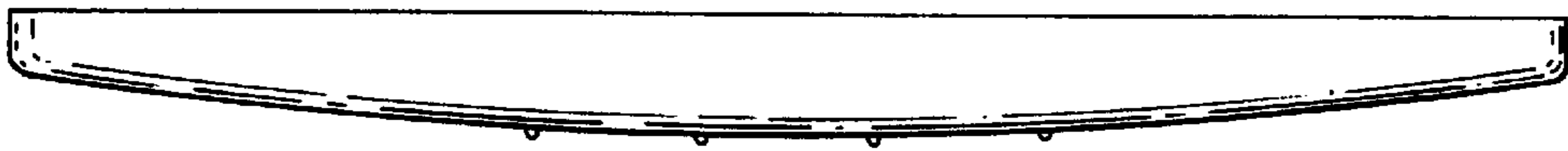


FIG. 2

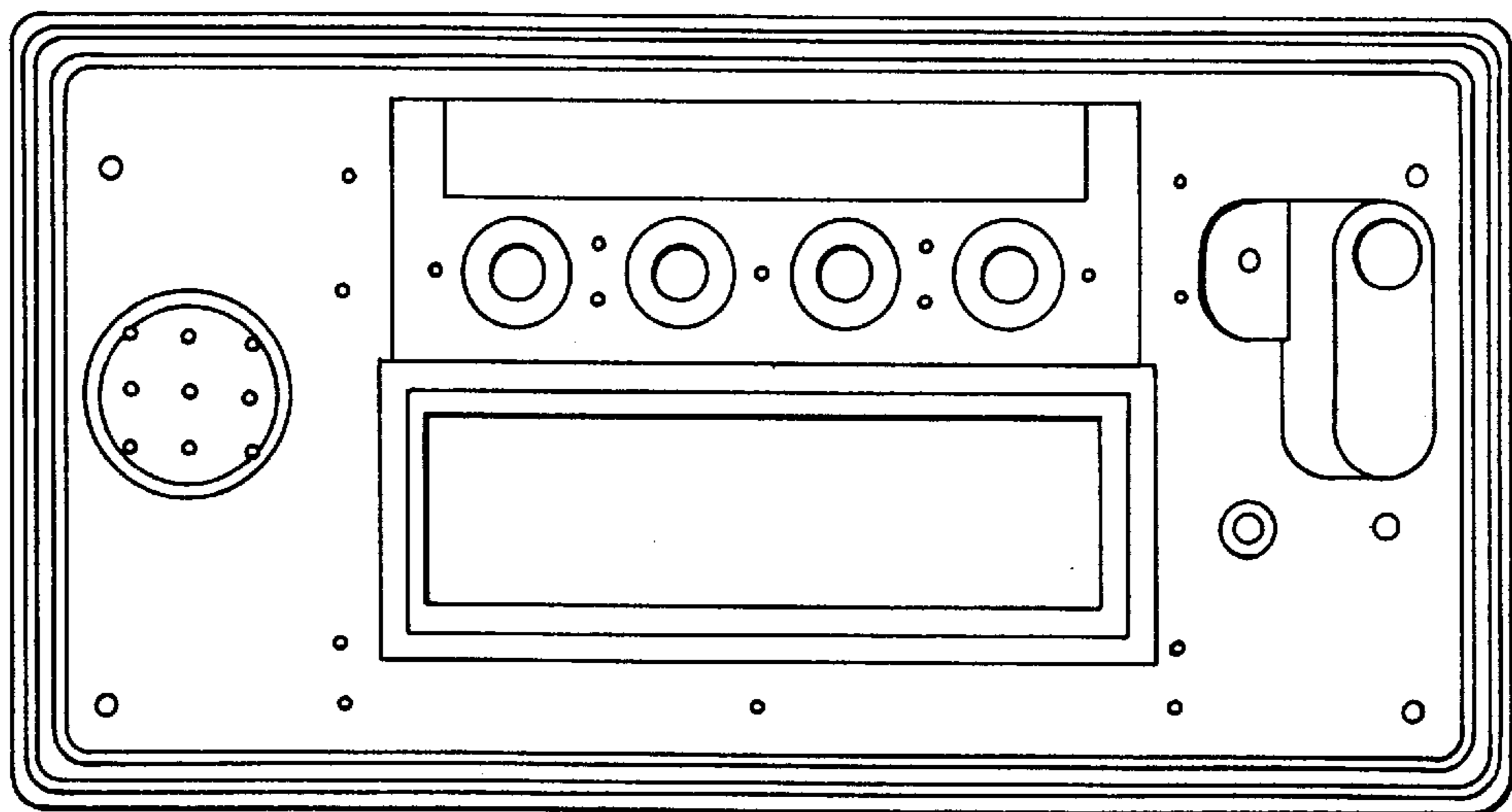


FIG. 3

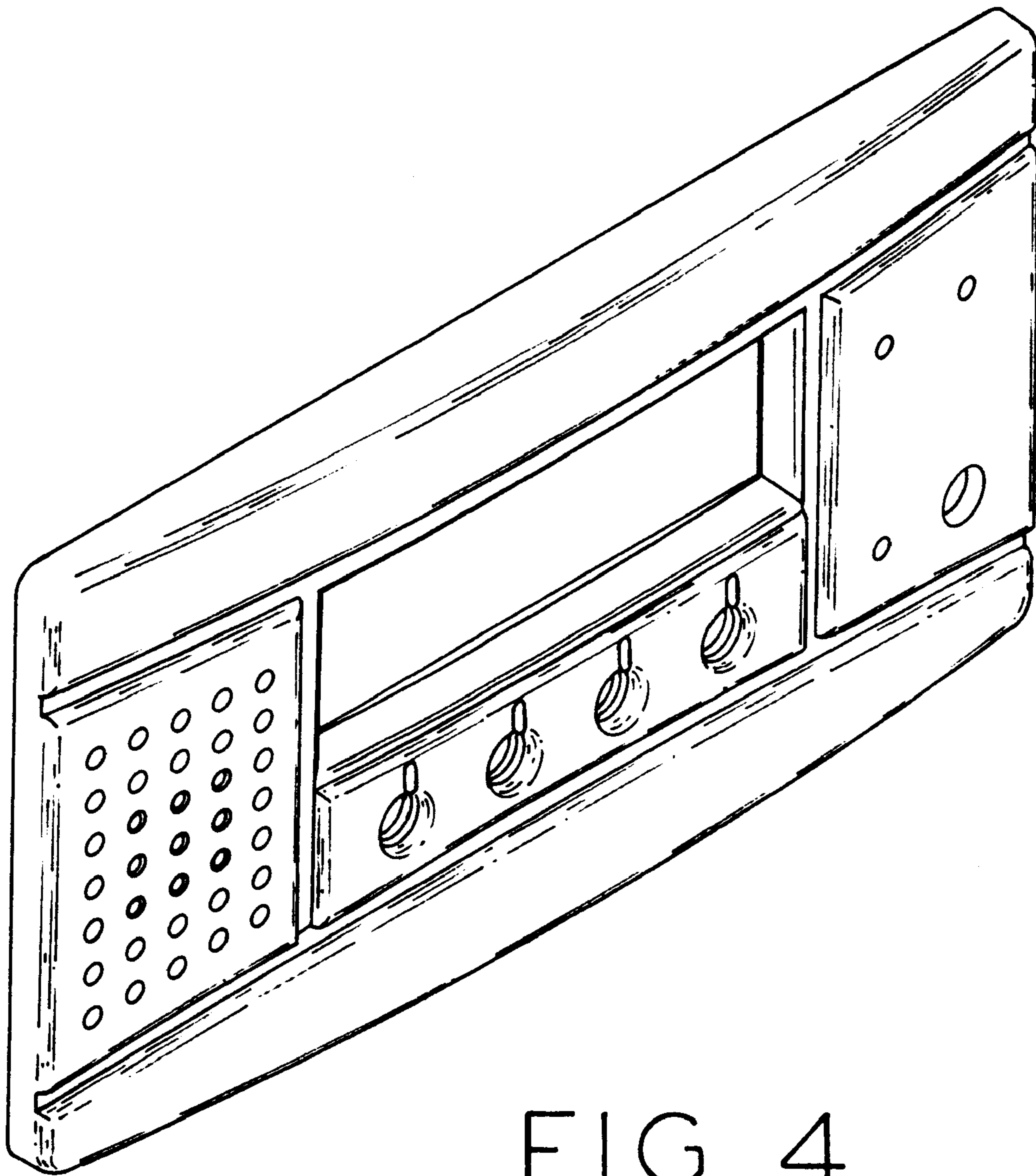


FIG. 4