



US00D466888S

(12) **United States Design Patent**
Sugiyama et al.

(10) **Patent No.:** **US D466,888 S**

(45) **Date of Patent:** **** Dec. 10, 2002**

(54) **SPEAKER**

(75) Inventors: **Shigeru Sugiyama**, Shizuoka (JP);
Hajime Kitamura, Shizuoka (JP)

(73) Assignee: **Star Micronics Co., Ltd.**, Shizuoka (JP)

(**) Term: **14 Years**

(21) Appl. No.: **29/145,613**

(22) Filed: **Jul. 27, 2001**

(30) **Foreign Application Priority Data**

Jan. 30, 2001 (JP) 2001-001806

(51) **LOC (7) Cl.** **14-01**

(52) **U.S. Cl.** **D14/221**

(58) **Field of Search** D14/204, 207-216,
D14/221-222; 181/144-145, 147-148,
150, 152-153, 157, 198-199; 381/300-302,
307, 359, 361-364, 386

(56) **References Cited**

U.S. PATENT DOCUMENTS

D270,909 S * 10/1983 Ijima D14/216

D334,935 S * 4/1993 Goto D14/216

D419,561 S * 1/2000 Haase et al. D14/216

D430,141 S * 8/2000 Liu D14/215

D432,118 S * 10/2000 Honnert D14/216

* cited by examiner

Primary Examiner—Nanda Bondade

(74) *Attorney, Agent, or Firm*—Sughrue Mion, PLLC

(57) **CLAIM**

The ornamental design for a speaker, as shown and described.

DESCRIPTION

FIG. 1 is a perspective view of the front, bottom and one side showing our new design;

FIG. 2 is a front elevational view thereof;

FIG. 3 is a top plan view thereof;

FIG. 4 is a side elevational view of said one side thereof, the opposite side being a mirror image thereof;

FIG. 5 is a rear elevational view thereof; and,

FIG. 6 is a bottom plan view thereof.

The elements shown in broken lines in FIG. 5 are not considered part of the claimed design.

1 Claim, 3 Drawing Sheets

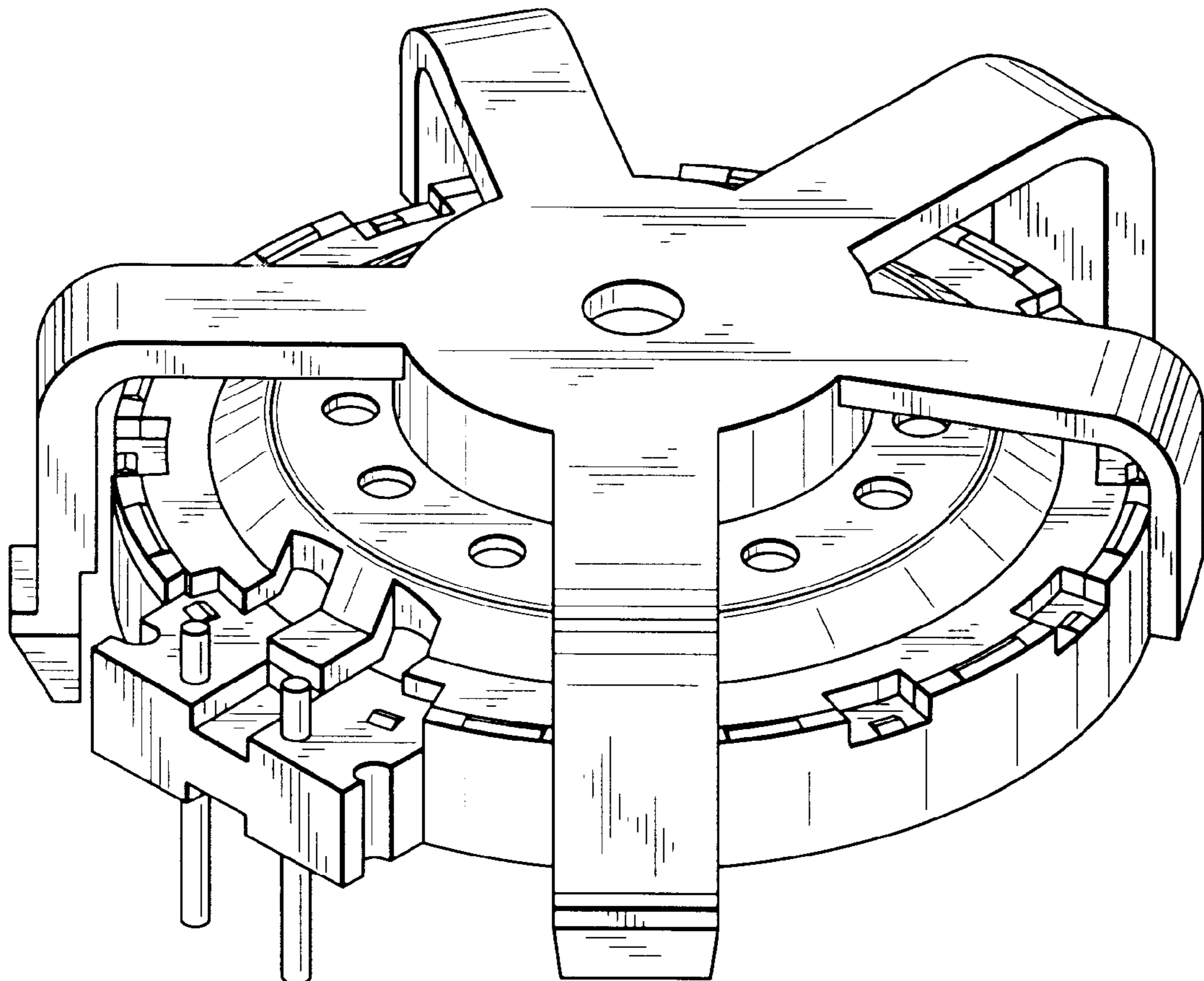


FIG. 1

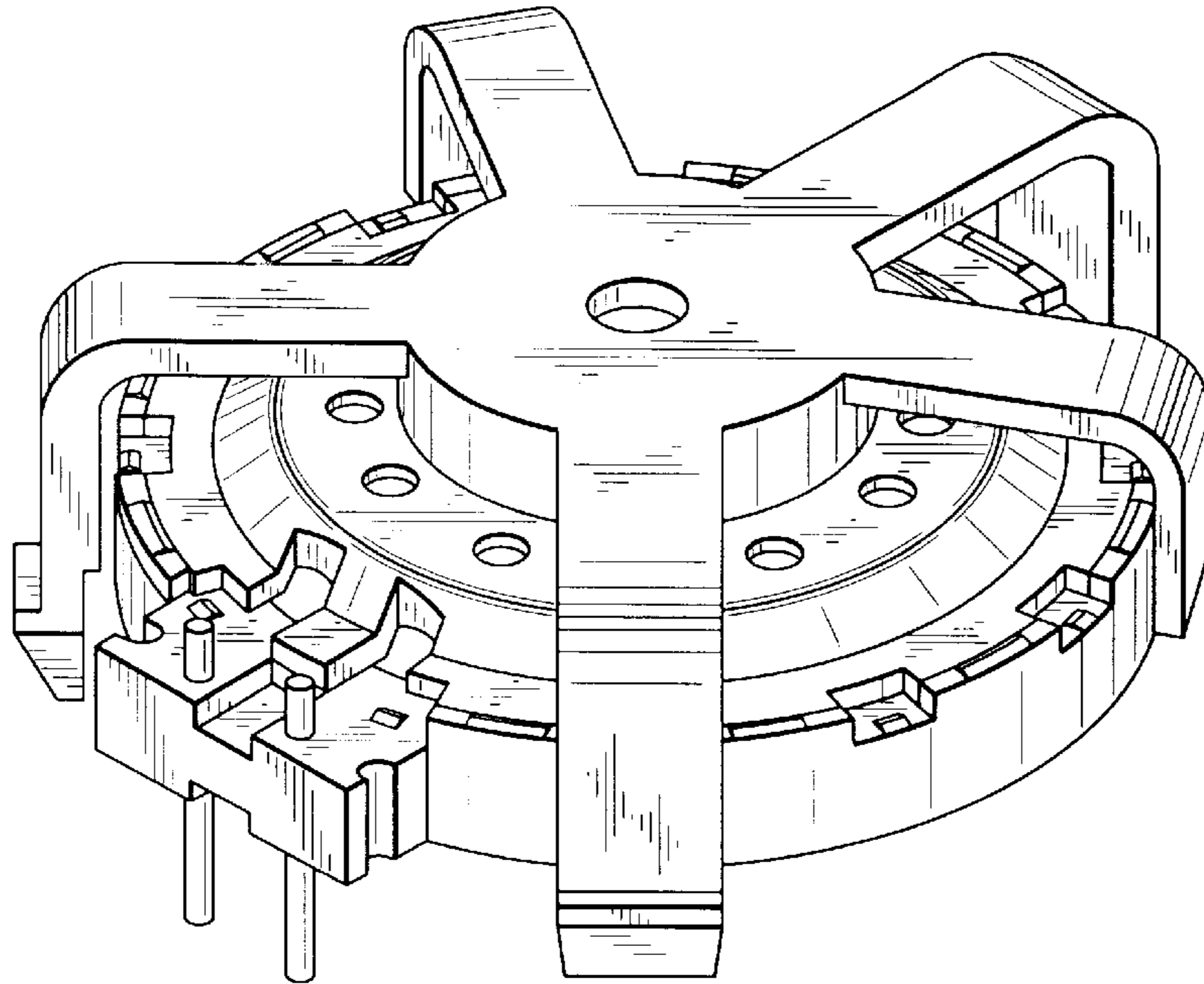


FIG. 2

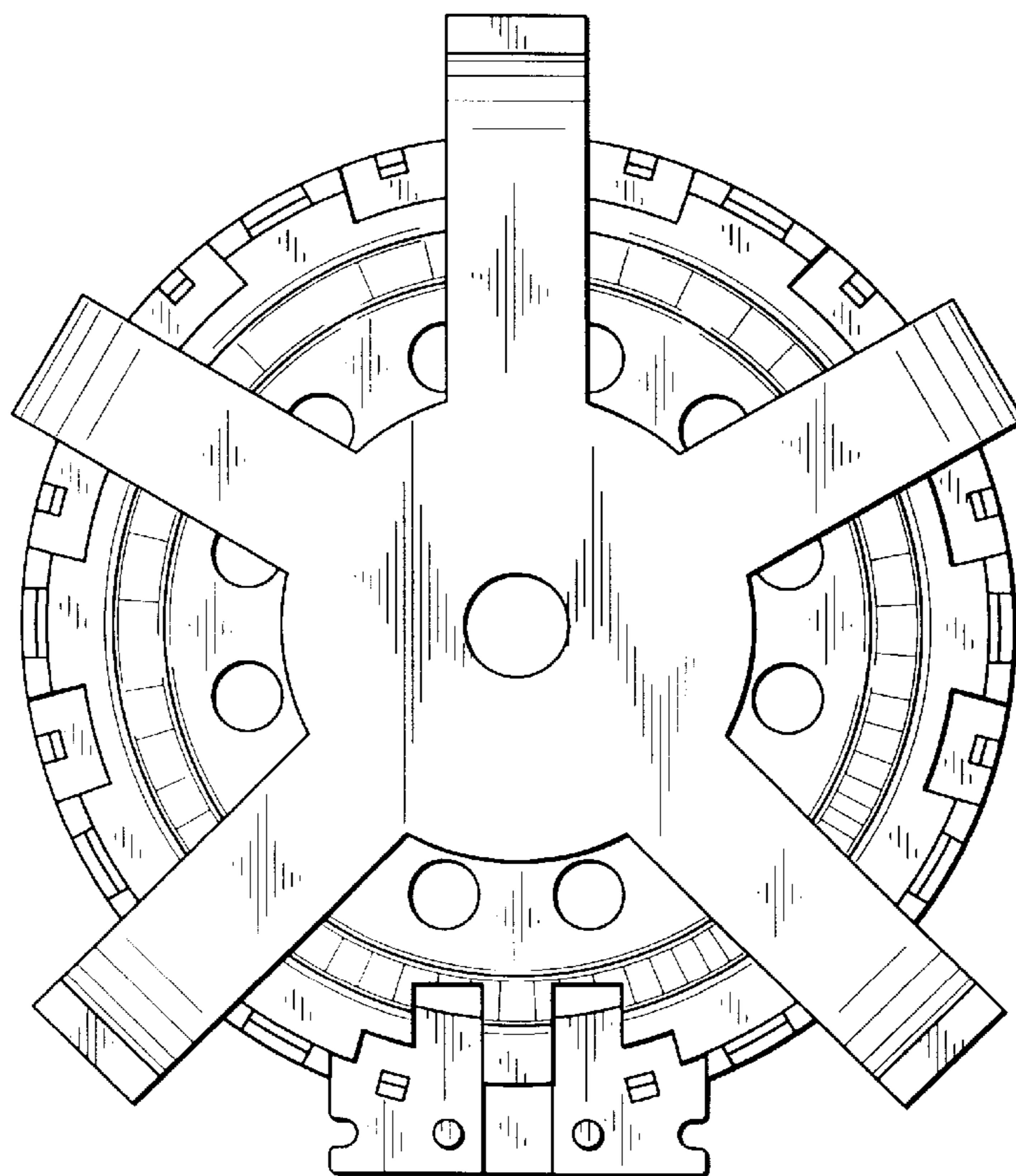


FIG. 3

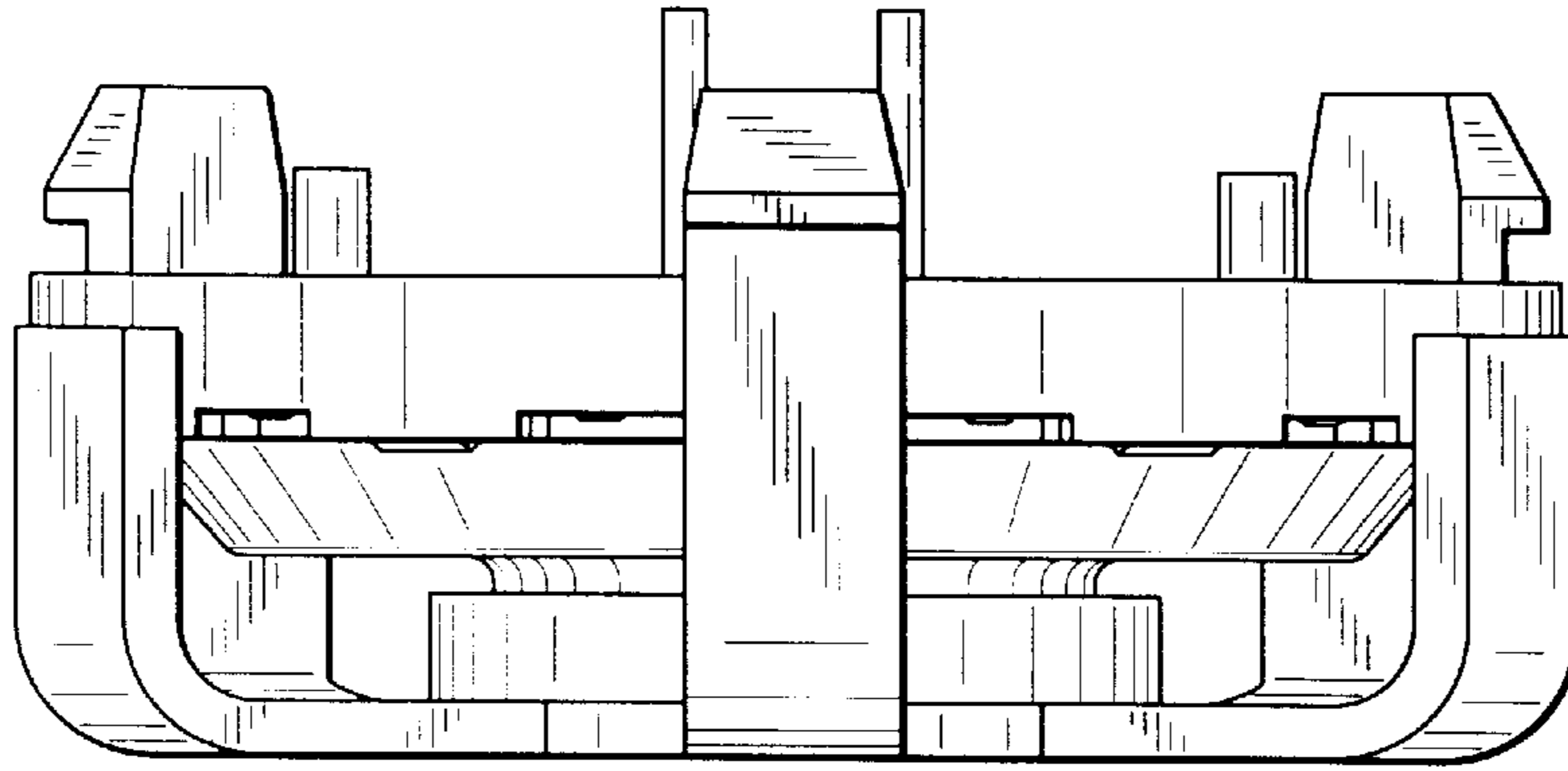


FIG. 4

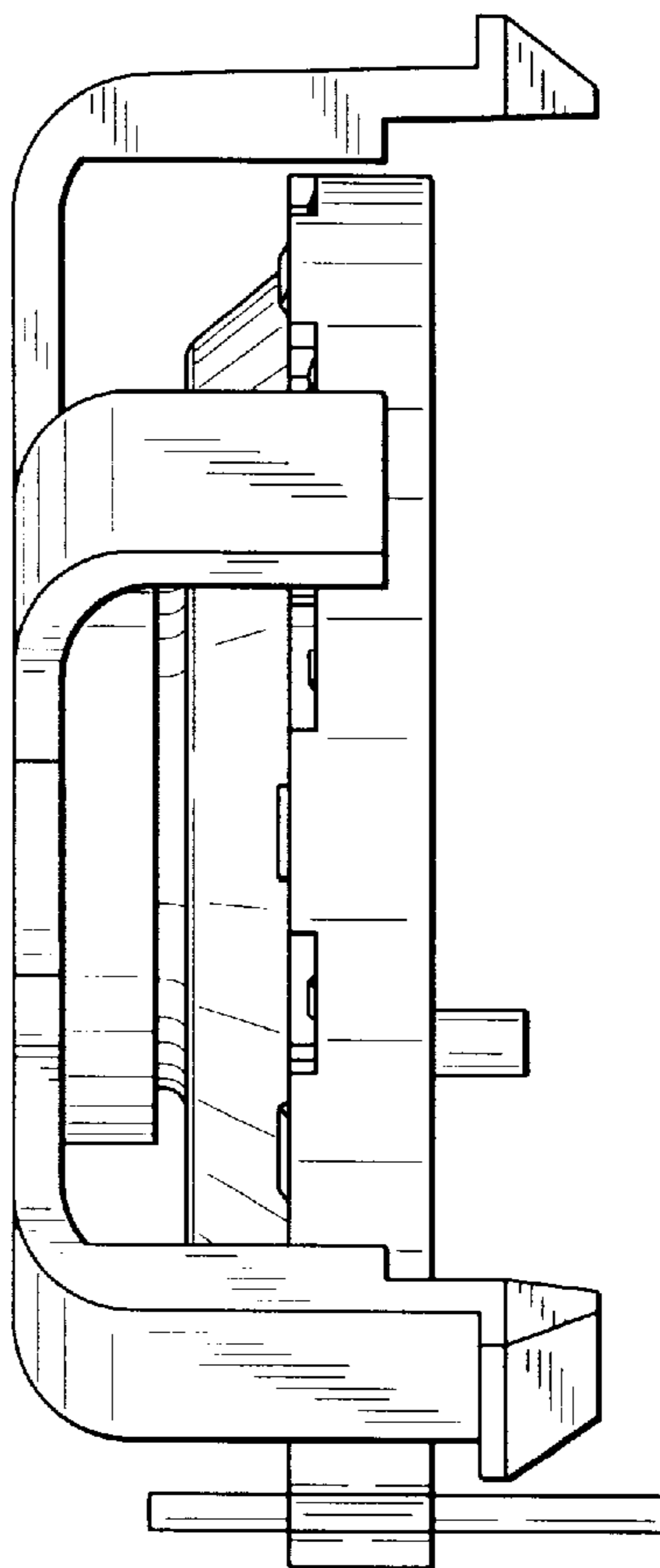


FIG. 5

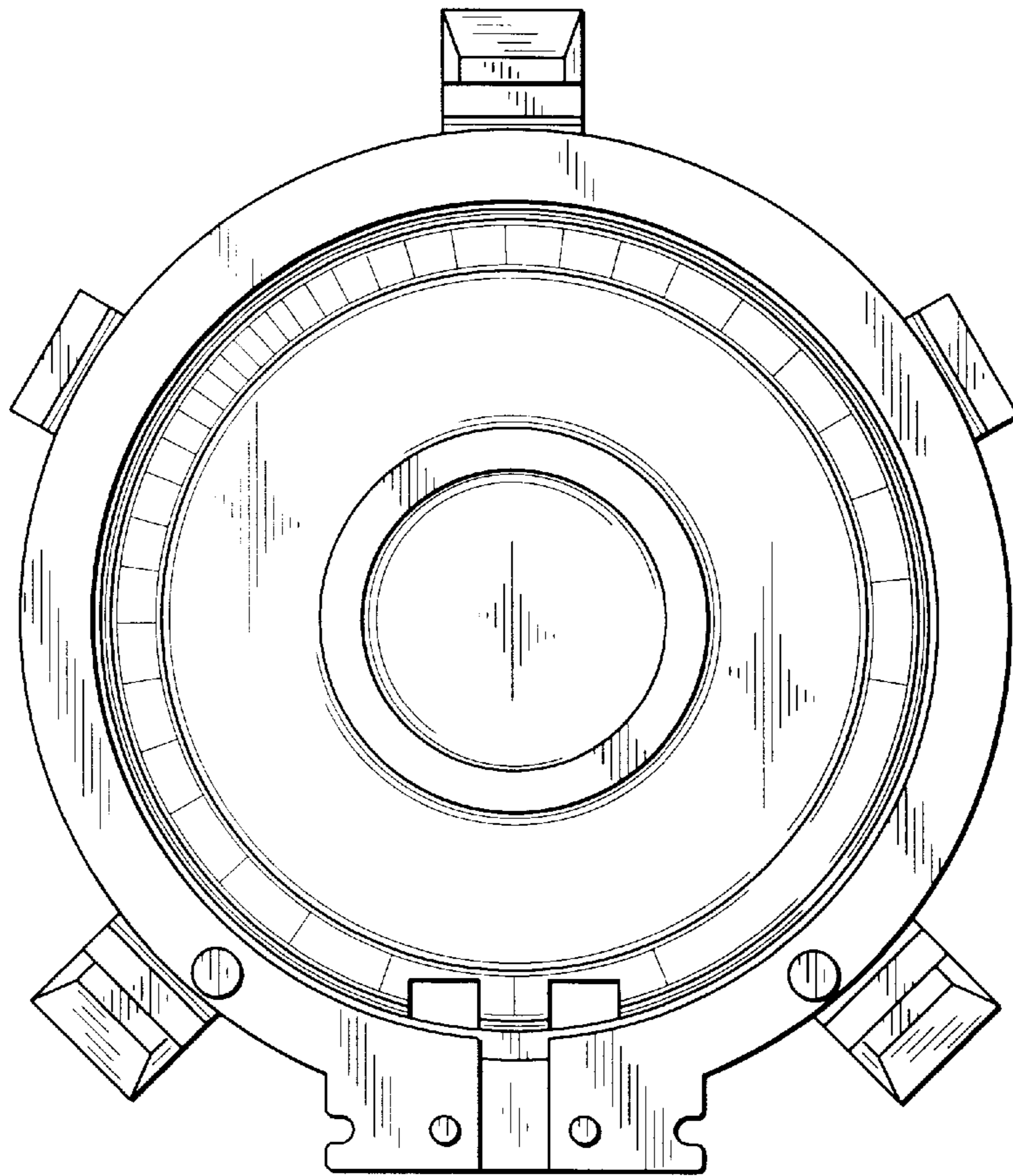


FIG. 6

