



US00D466887S

(12) **United States Design Patent**
Lewis

(10) **Patent No.:** **US D466,887 S**

(45) **Date of Patent:** **** Dec. 10, 2002**

(54) **LOUDSPEAKER**

(75) **Inventor:** **David Lewis, Copenhagen (DK)**

(73) **Assignee:** **Bang & Olufsen A/S, Struer (DK)**

(**) **Term:** **14 Years**

(21) **Appl. No.:** **29/142,473**

(22) **Filed:** **May 25, 2001**

(30) **Foreign Application Priority Data**

Mar. 2, 2001 (DK) 2001-00258

(51) **LOC (7) Cl.** **14-01**

(52) **U.S. Cl.** **D14/216**

(58) **Field of Search** D14/204, 207-216,
D14/221-222; 181/144-145, 147-148,
150, 152-153, 157, 198-199; 381/300-302,
307, 359, 361-364, 386

(56) **References Cited**

U.S. PATENT DOCUMENTS

D210,538 S * 3/1968 Lahti D14/213

D297,233 S * 8/1988 Livigni D14/215

5,812,685 A * 9/1998 Fujita et al. 181/153

D426,230 S * 6/2000 De Lullis et al. D14/216

D440,557 S * 4/2001 Su D14/215

* cited by examiner

Primary Examiner—Nanda Bondade

(74) *Attorney, Agent, or Firm*—Darby & Darby

(57) **CLAIM**

An ornamental design for a loudspeaker, as shown.

DESCRIPTION

FIG. 1 is a front perspective view of a loudspeaker according to the invention;

FIG. 2 is a rear perspective view thereof;

FIG. 3 is a front view thereof;

FIG. 4 is a rear view thereof;

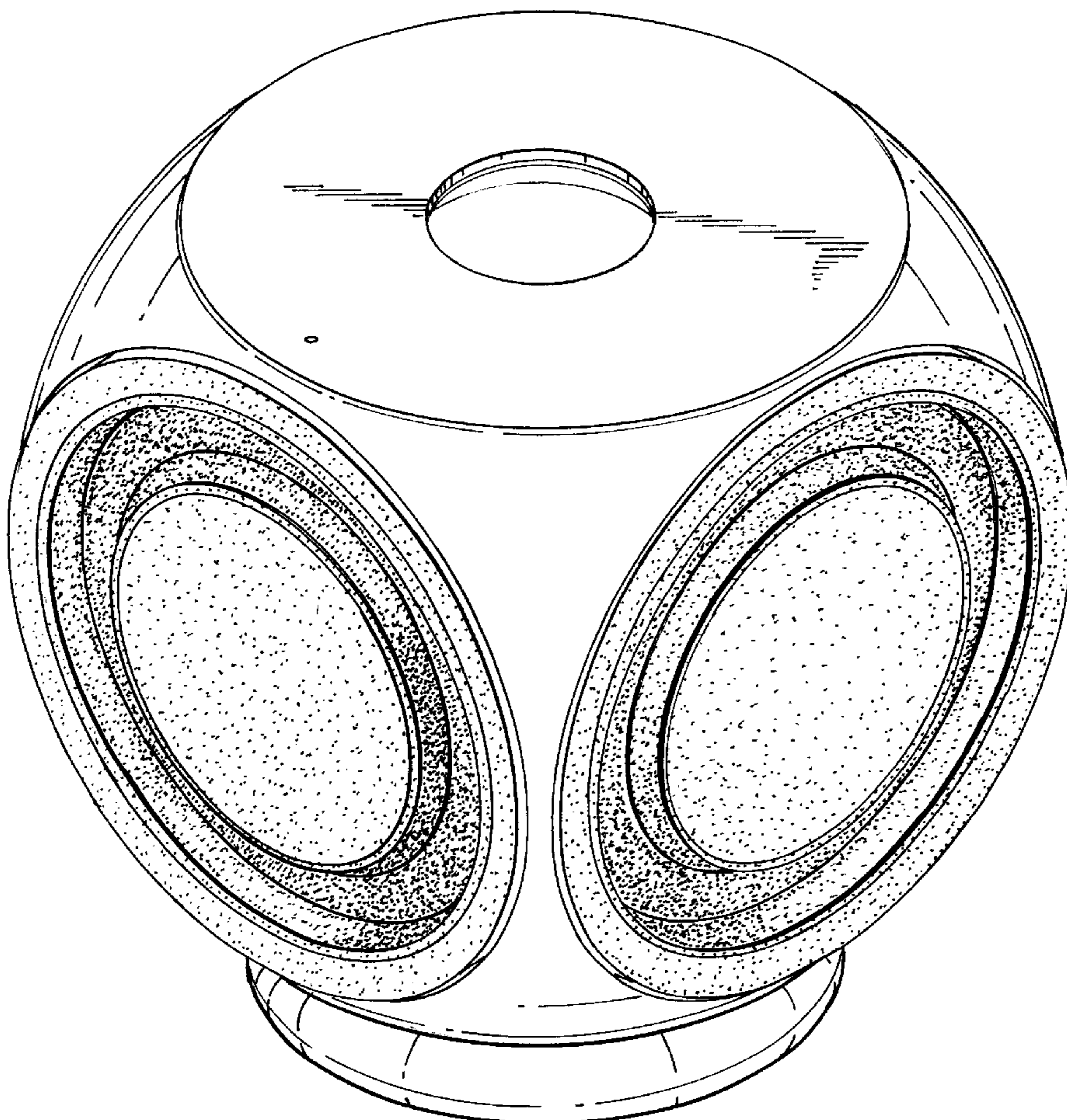
FIG. 5 is a right-side view thereof;

FIG. 6 is a left-side view thereof;

FIG. 7 is a top plan view thereof; and,

FIG. 8 is a bottom plan view thereof.

1 Claim, 8 Drawing Sheets



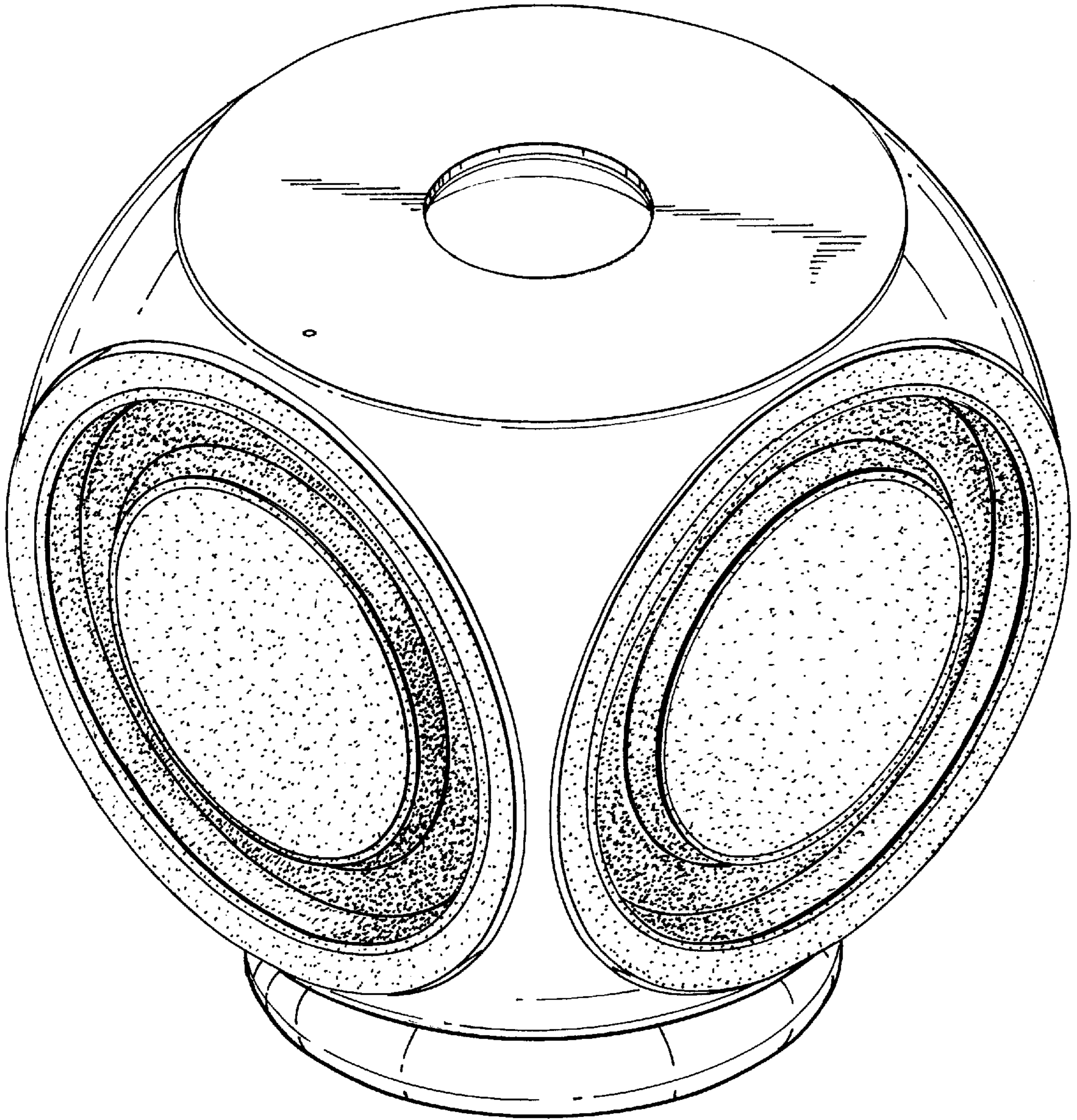


Fig. 1

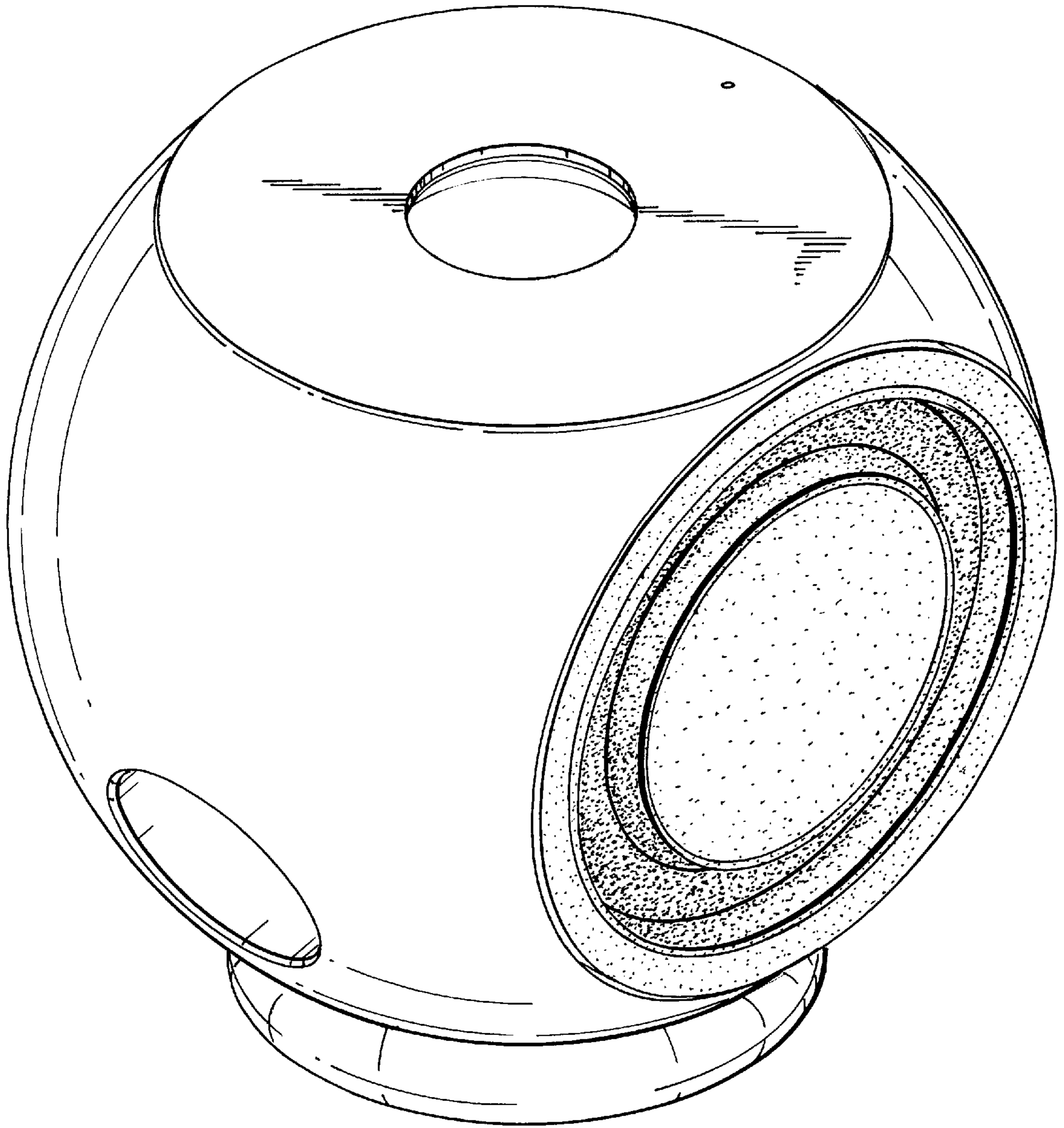


Fig. 2

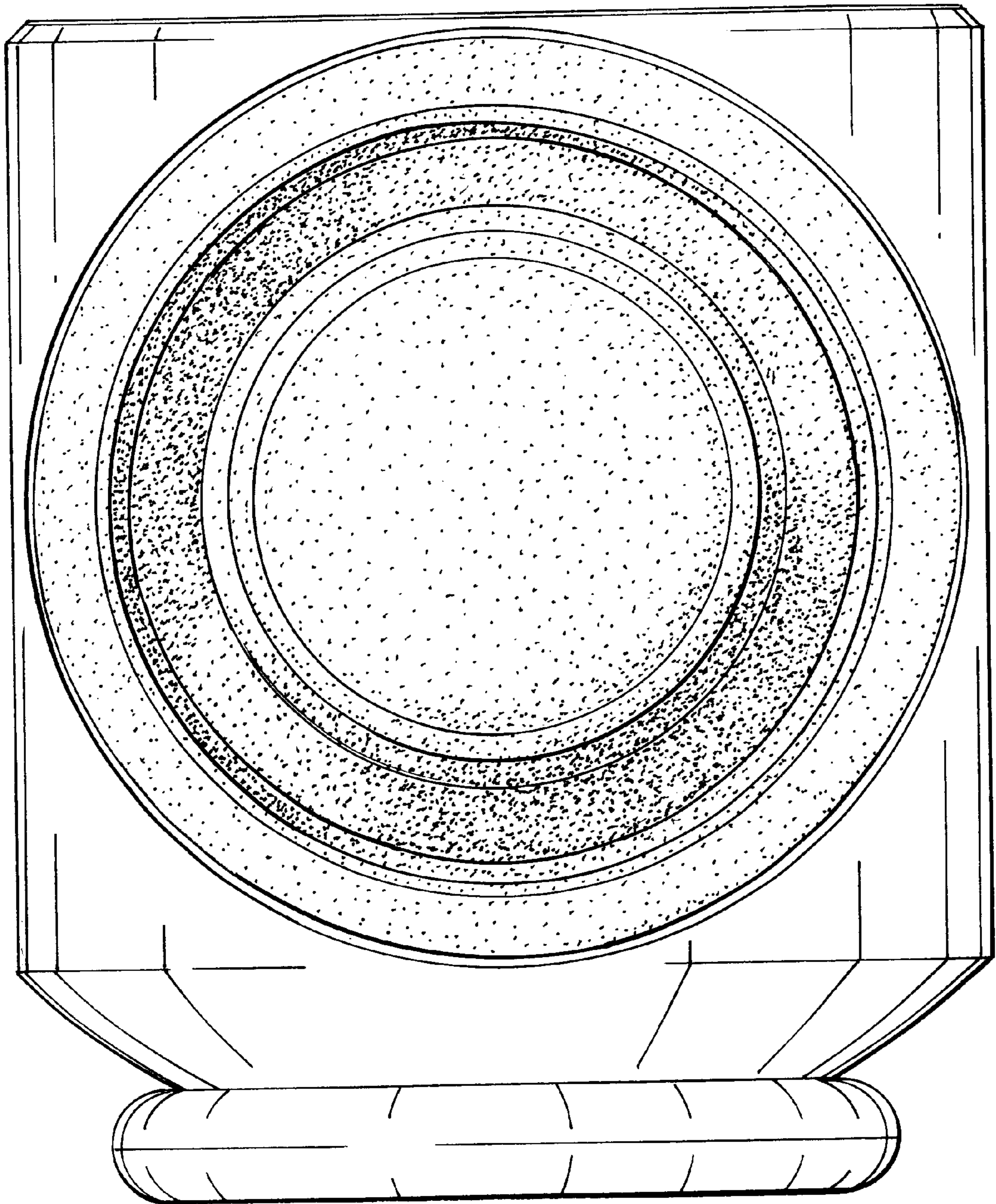


Fig. 3

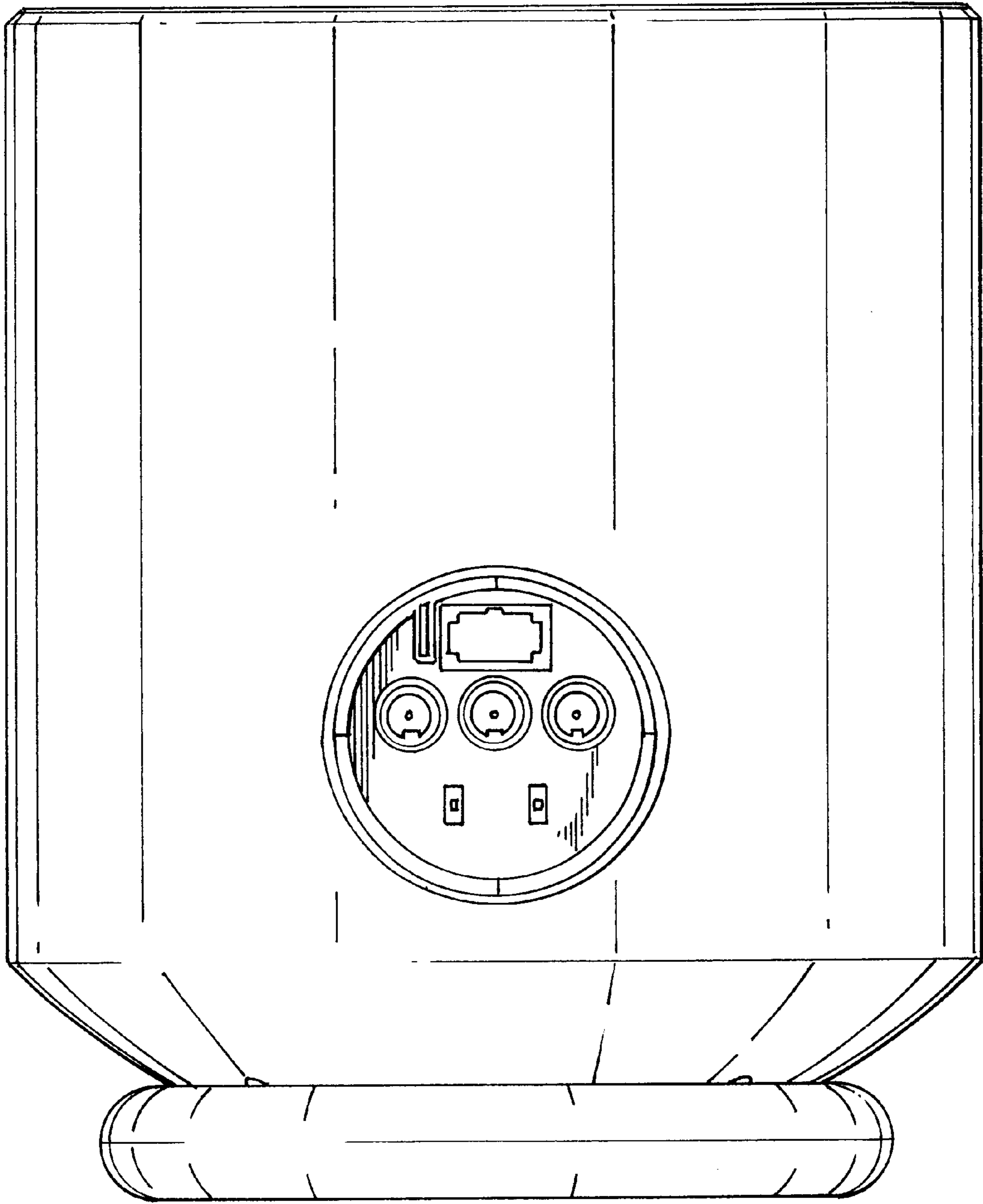


Fig. 4

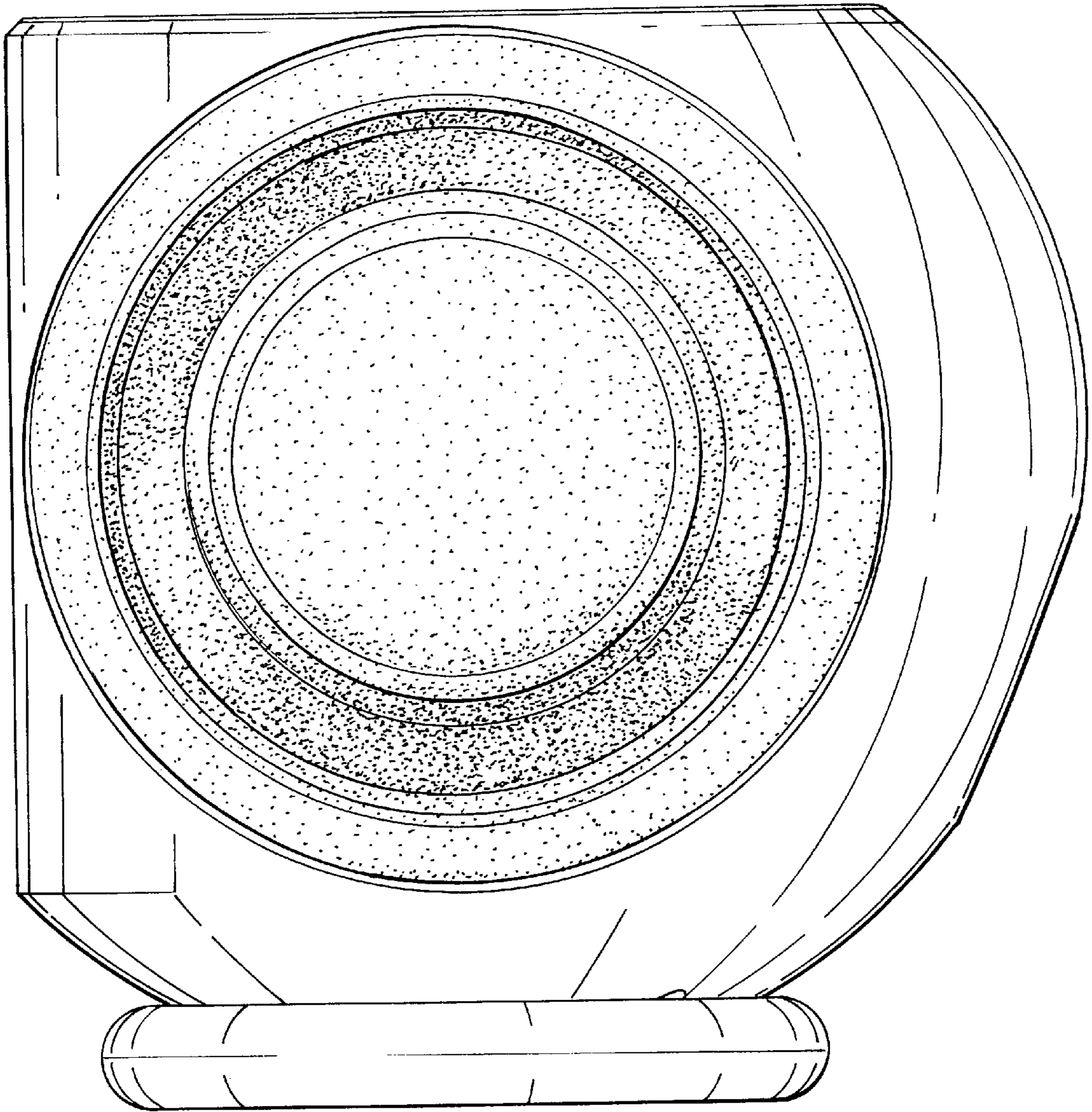


Fig. 5

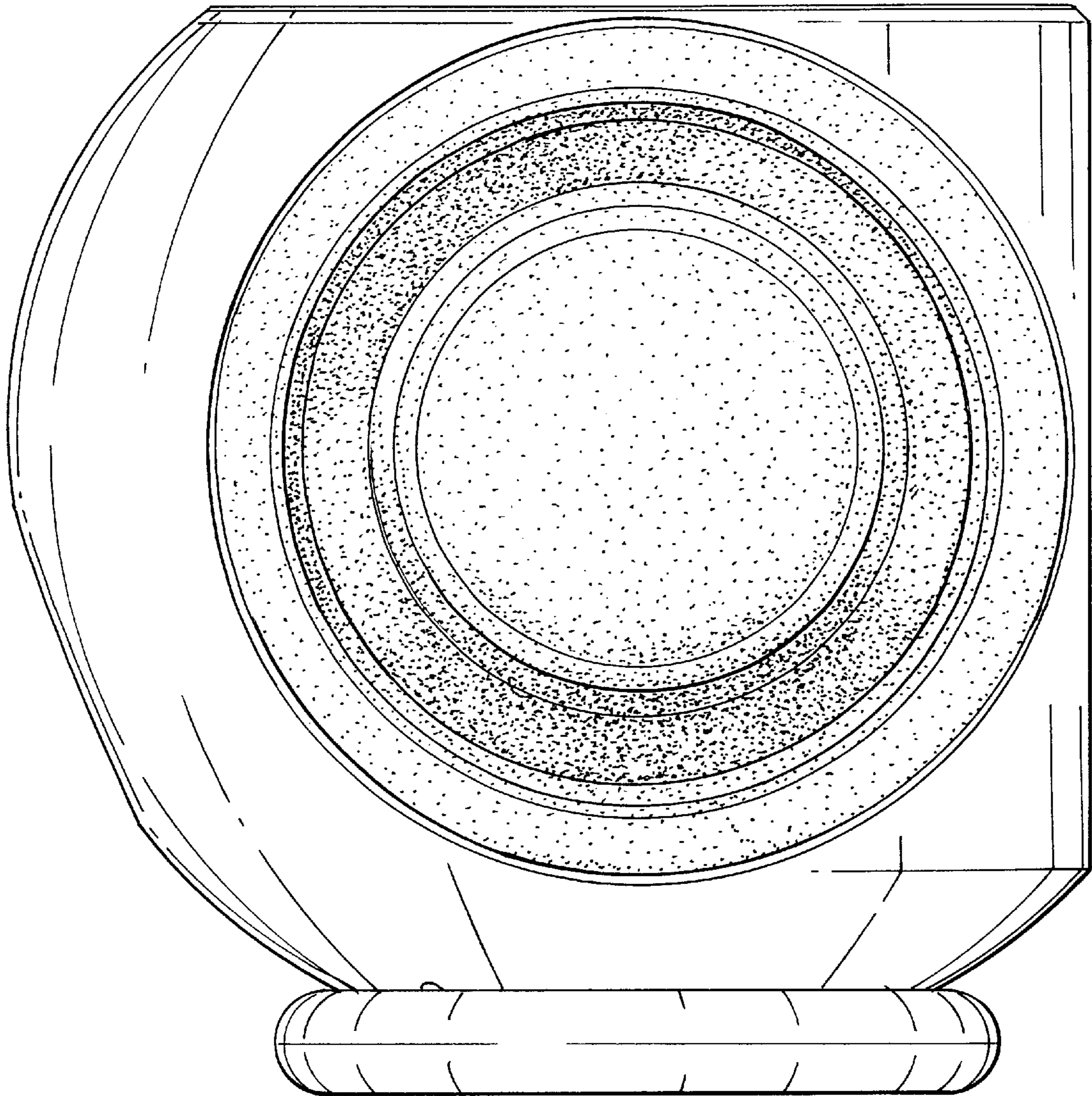


Fig. 6

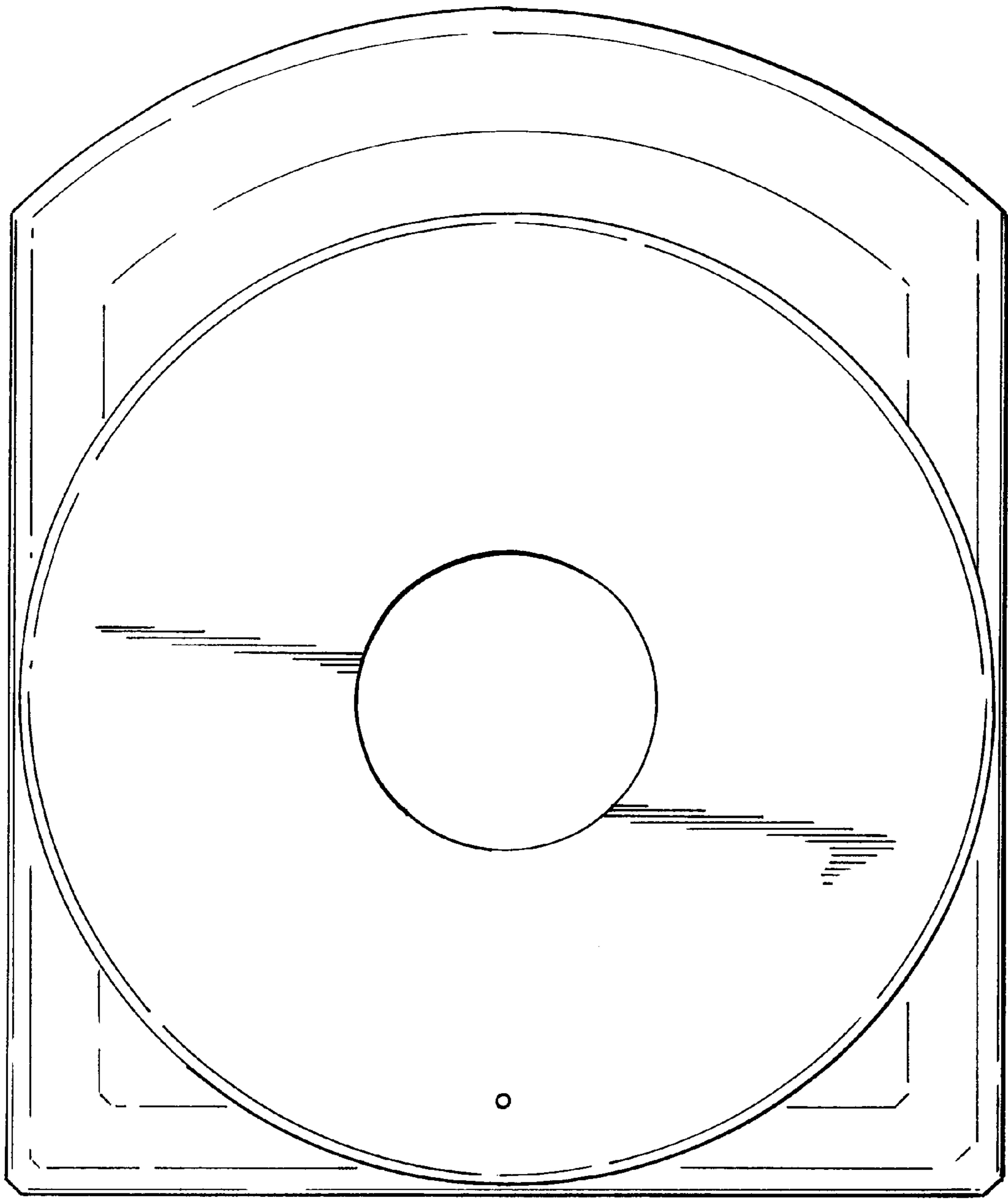


Fig. 7

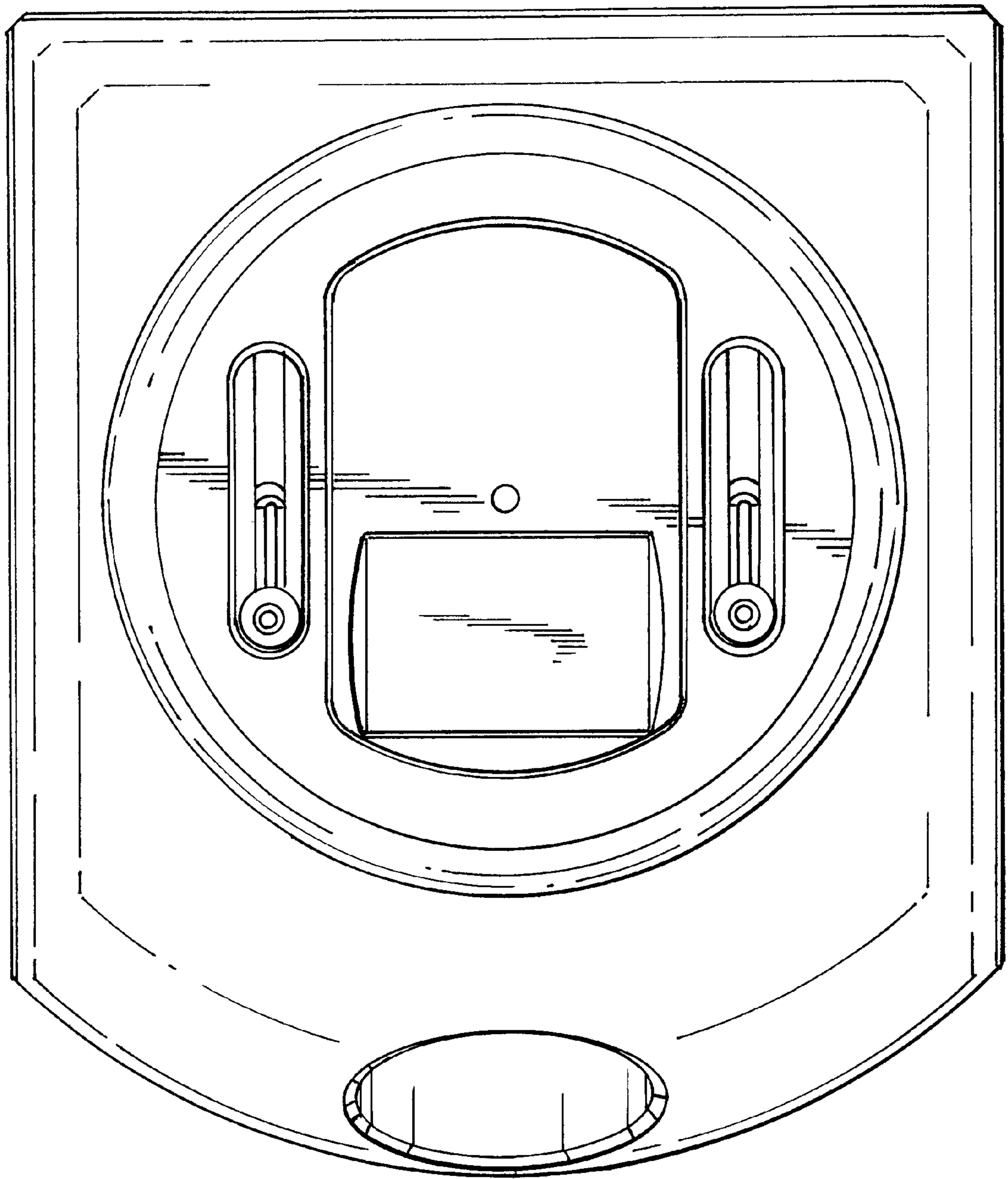


Fig. 8