



US00D466884S

(12) **United States Design Patent**
Clayton

(10) **Patent No.:** **US D466,884 S**

(45) **Date of Patent:** **** Dec. 10, 2002**

(54) **DETACHABLE CD PLAYER AND VIDEOGAME COMBINATION**

D426,222 S * 6/2000 Kobayashi D14/156
D430,617 S * 9/2000 Shimoido D21/324
D443,259 S * 6/2001 Okubo D14/167

(76) Inventor: **Jimmy L. Clayton**, 2151 Brooklyn Rd., Jacksonville, FL (US) 32209

* cited by examiner

(**) Term: **14 Years**

Primary Examiner—Nanda Bondade
(74) *Attorney, Agent, or Firm*—Joseph R. Birkner

(21) Appl. No.: **29/157,489**

(57) **CLAIM**

(22) Filed: **Mar. 21, 2002**

The ornamental design for a detachable CD player and videogame combination, as shown and described.

(51) **LOC (7) Cl.** **14-01**

DESCRIPTION

(52) **U.S. Cl.** **D14/168; D14/496**

(58) **Field of Search** D14/135–136, D14/156–157, 167–168, 188, 193–198, 257–258, 496; 369/75.1, 75.2, 77.1, 77.2; 455/344, 347, 350–351; D21/333, 324

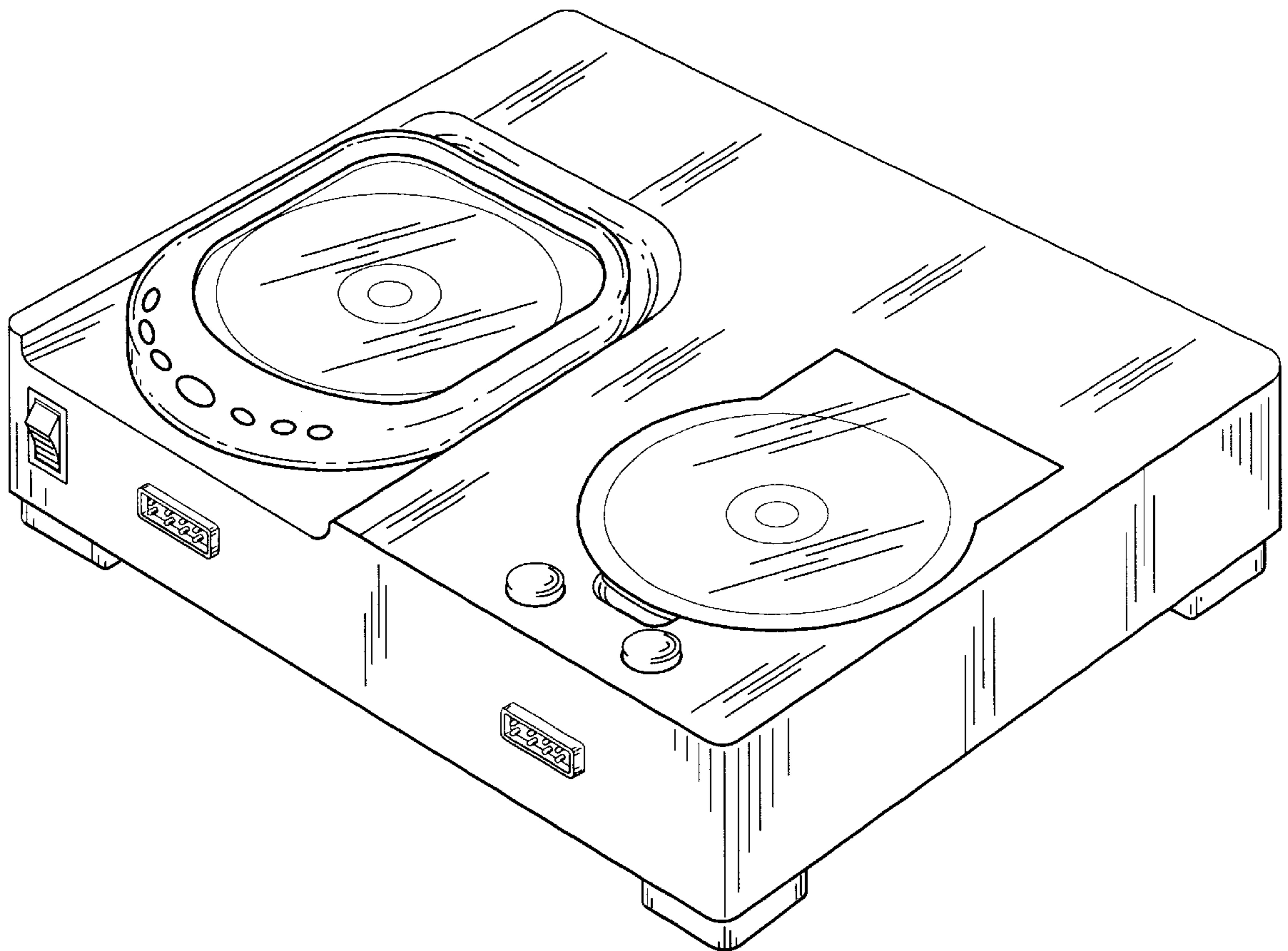
FIG. 1 is a perspective view of a detachable CD player and videogame combination showing my new design;
FIG. 2 is a top plan view thereof;
FIG. 3 is a front elevation view thereof;
FIG. 4 is a right side elevation view thereof;
FIG. 5 is a left side elevation view thereof;
FIG. 6 is a bottom plan view thereof; and,
FIG. 7 is a rear elevation view thereof.

(56) **References Cited**

U.S. PATENT DOCUMENTS

D412,504 S * 8/1999 Renk D14/156
D415,757 S * 10/1999 Takahashi et al. D14/156

1 Claim, 4 Drawing Sheets



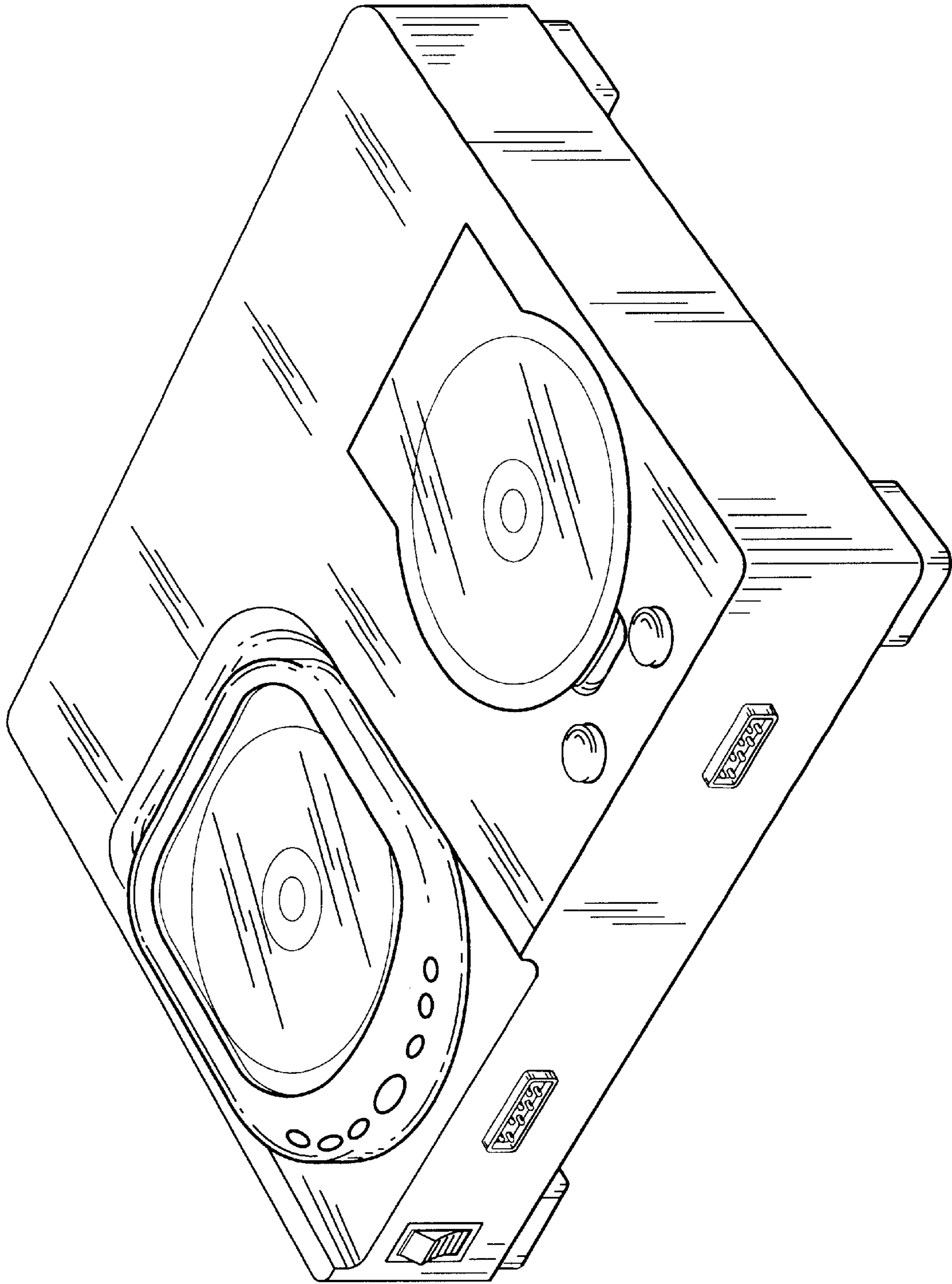


FIG. 1

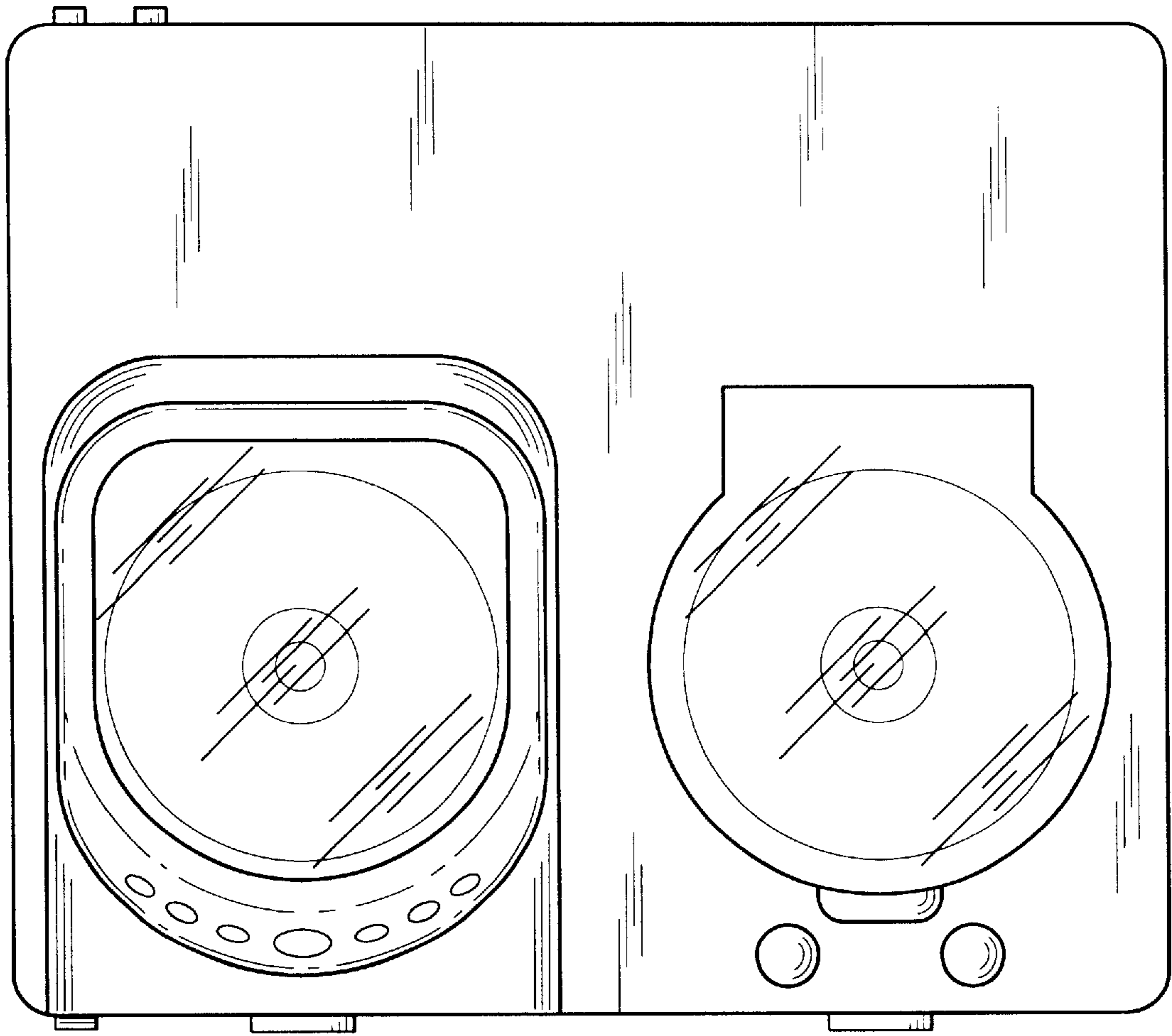


FIG. 2

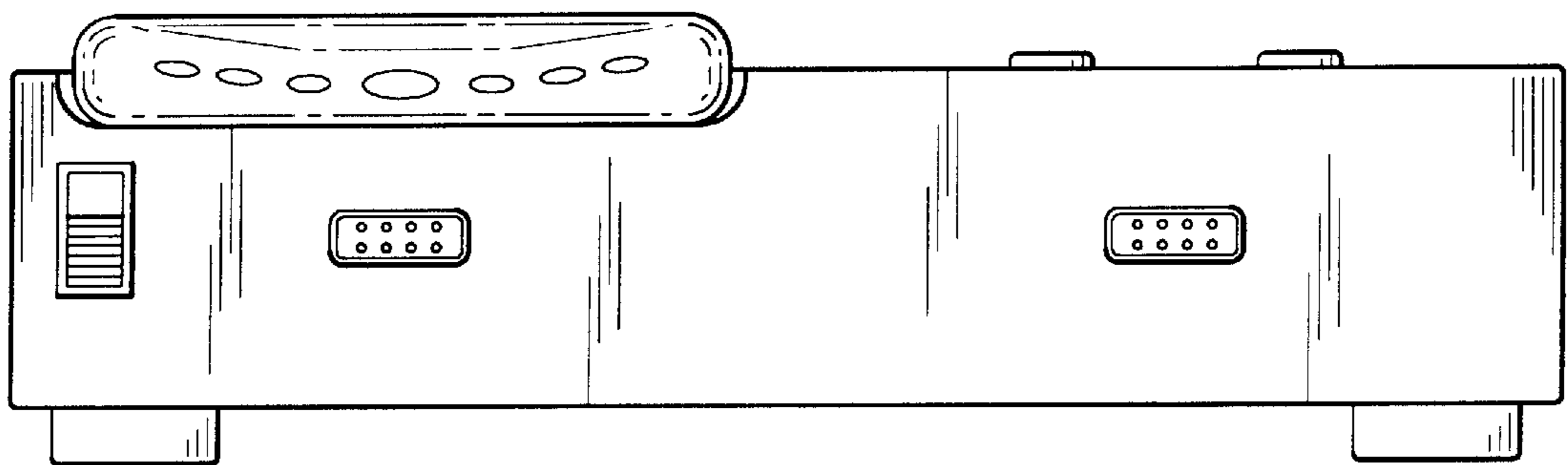


FIG. 3

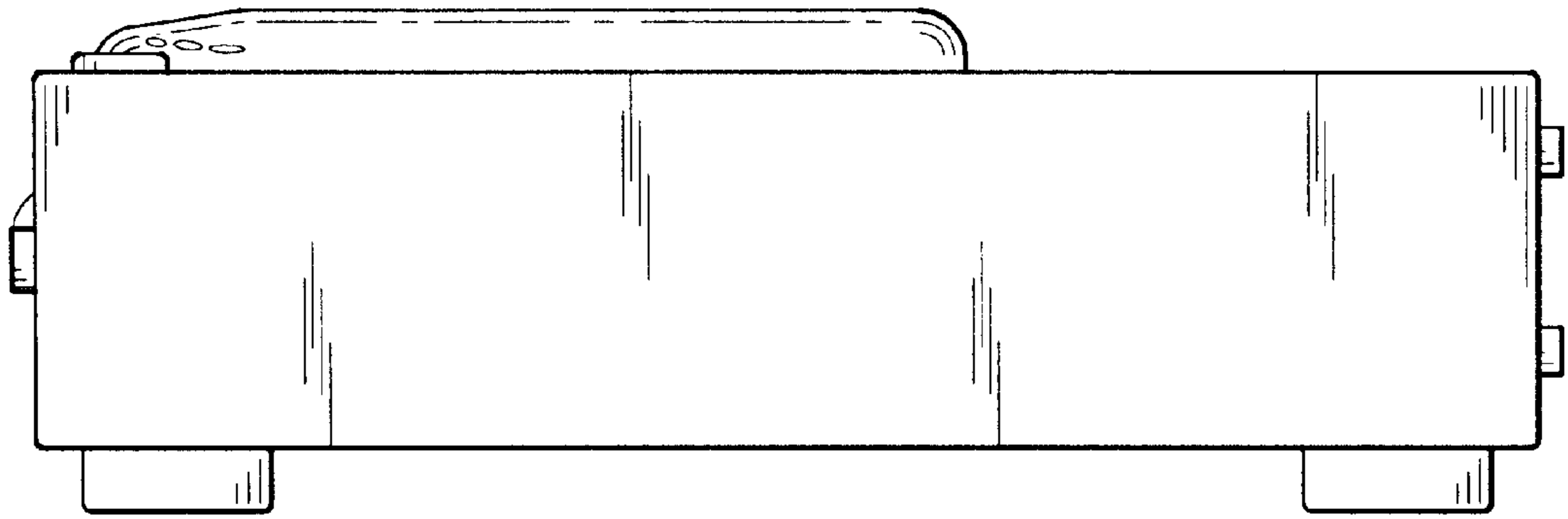


FIG. 4

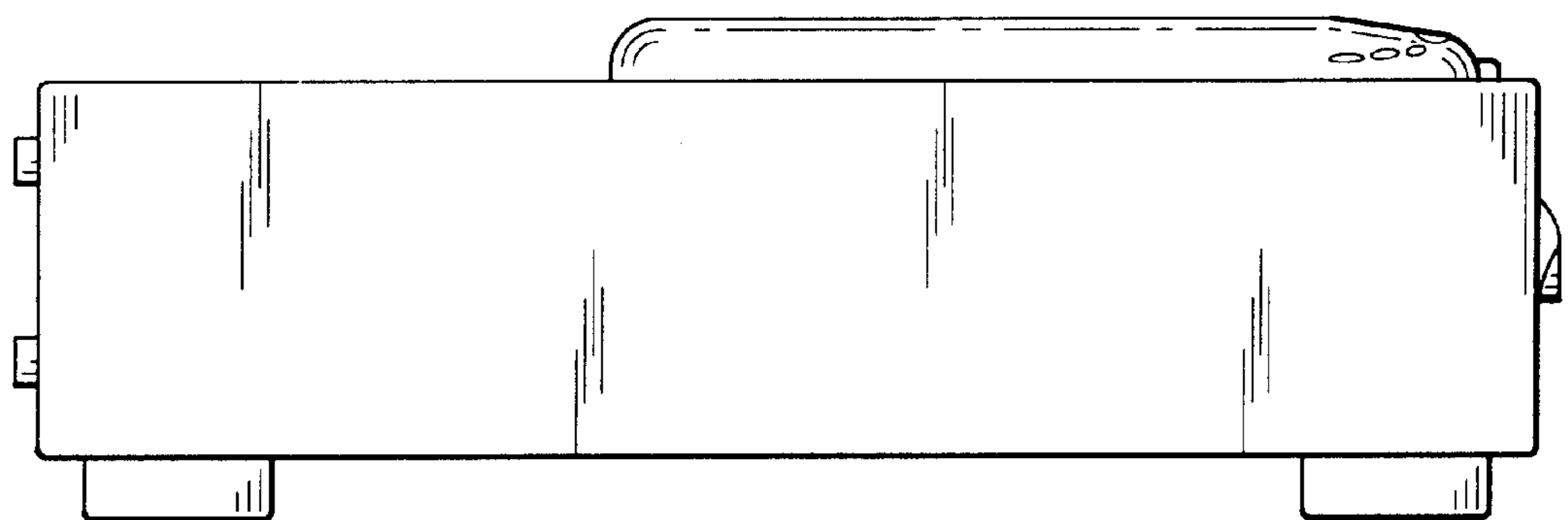


FIG. 5

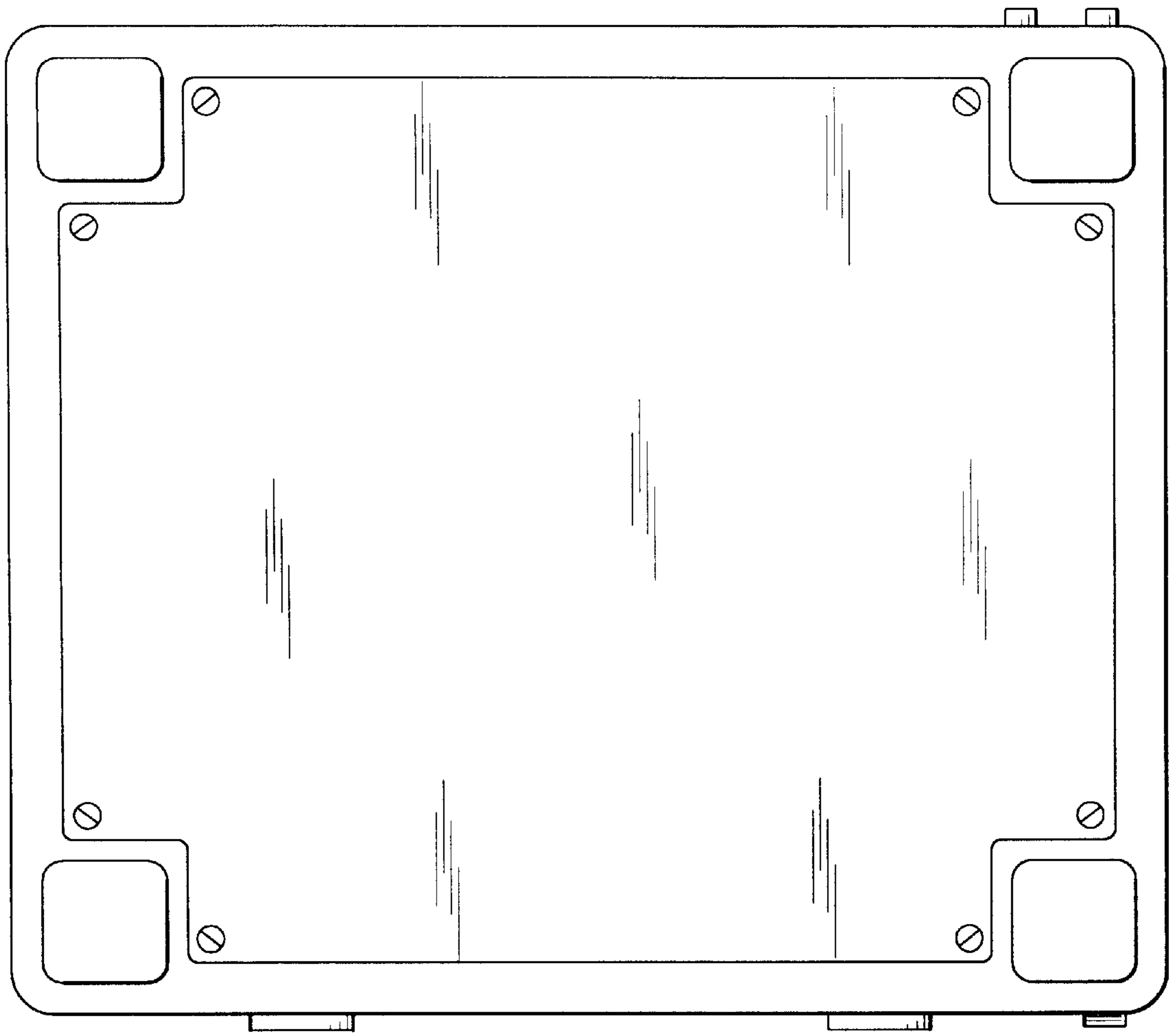


FIG. 6

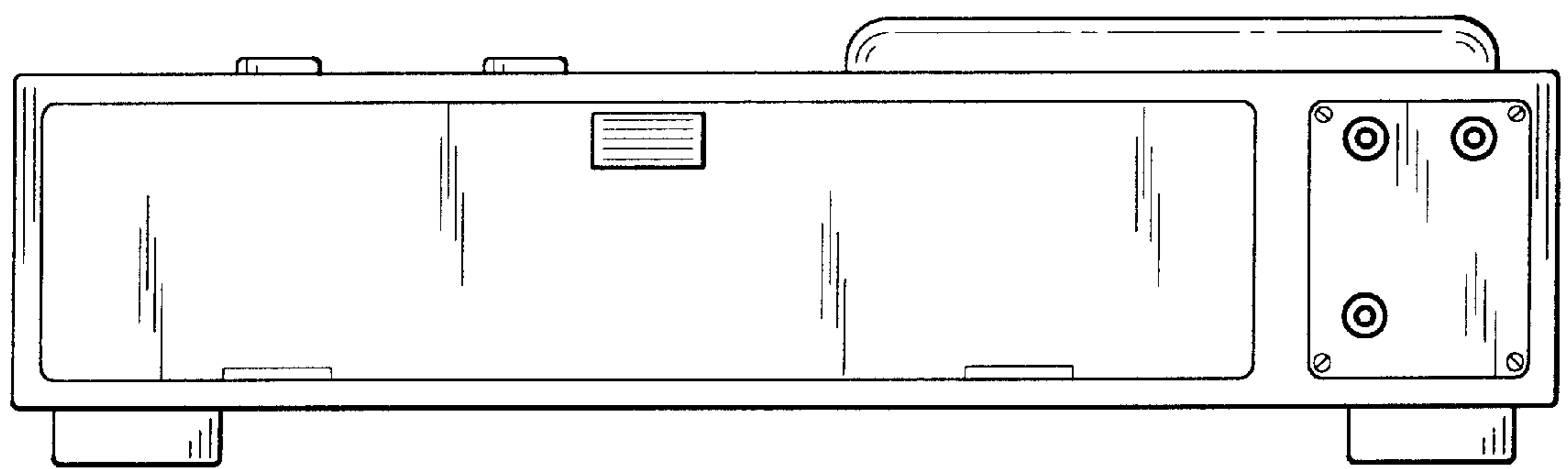


FIG. 7