



US00D466882S

(12) **United States Design Patent**
Matsui et al.

(10) **Patent No.:** **US D466,882 S**

(45) **Date of Patent:** **** Dec. 10, 2002**

(54) **INTERPHONE**

D321,686 S * 11/1991 Plozner D14/159
D399,203 S * 10/1998 Renk, Jr. D14/159

(75) Inventors: **Hiroshi Matsui**, Nagoya (JP); **Toshio Hotta**, Tokai (JP)

* cited by examiner

(73) Assignee: **Aiphone Co., Ltd.** (JP)

Primary Examiner—Nanda Bondade

(**) Term: **14 Years**

(74) *Attorney, Agent, or Firm*—Lorusso & Loud

(21) Appl. No.: **29/148,913**

(57) **CLAIM**

(22) Filed: **Oct. 1, 2001**

The ornamental design for an interphone, as shown and described.

(30) **Foreign Application Priority Data**

DESCRIPTION

Apr. 10, 2001 (JP) 2001-010389

FIG. 1 is a perspective view of the interphone showing our new design;

(51) **LOC (7) Cl.** **14-03**

FIG. 2 is a front elevational view of the interphone of FIG. 1;

(52) **U.S. Cl.** **D14/159**

FIG. 3 is a left side elevational view of the interphone shown in FIG. 1;

(58) **Field of Search** D10/104, 106;
D14/155, 158, 159, 299; 340/539, 571-573;
342/419, 450; 379/167.05, 167.14

FIG. 4 is a right side elevational view of the interphone of FIG. 1;

(56) **References Cited**

FIG. 5 is a rear elevational view of the interphone of FIG. 1;

U.S. PATENT DOCUMENTS

4,130,728 A * 12/1978 Grauel 379/167.05
D283,130 S * 3/1986 Boenning D10/104
D313,592 S * 1/1991 Morooka D14/159

FIG. 6 is a top plan view of the interphone of FIG. 1; and,
FIG. 7 is a bottom plan view of the interphone of FIG. 1.

1 Claim, 3 Drawing Sheets

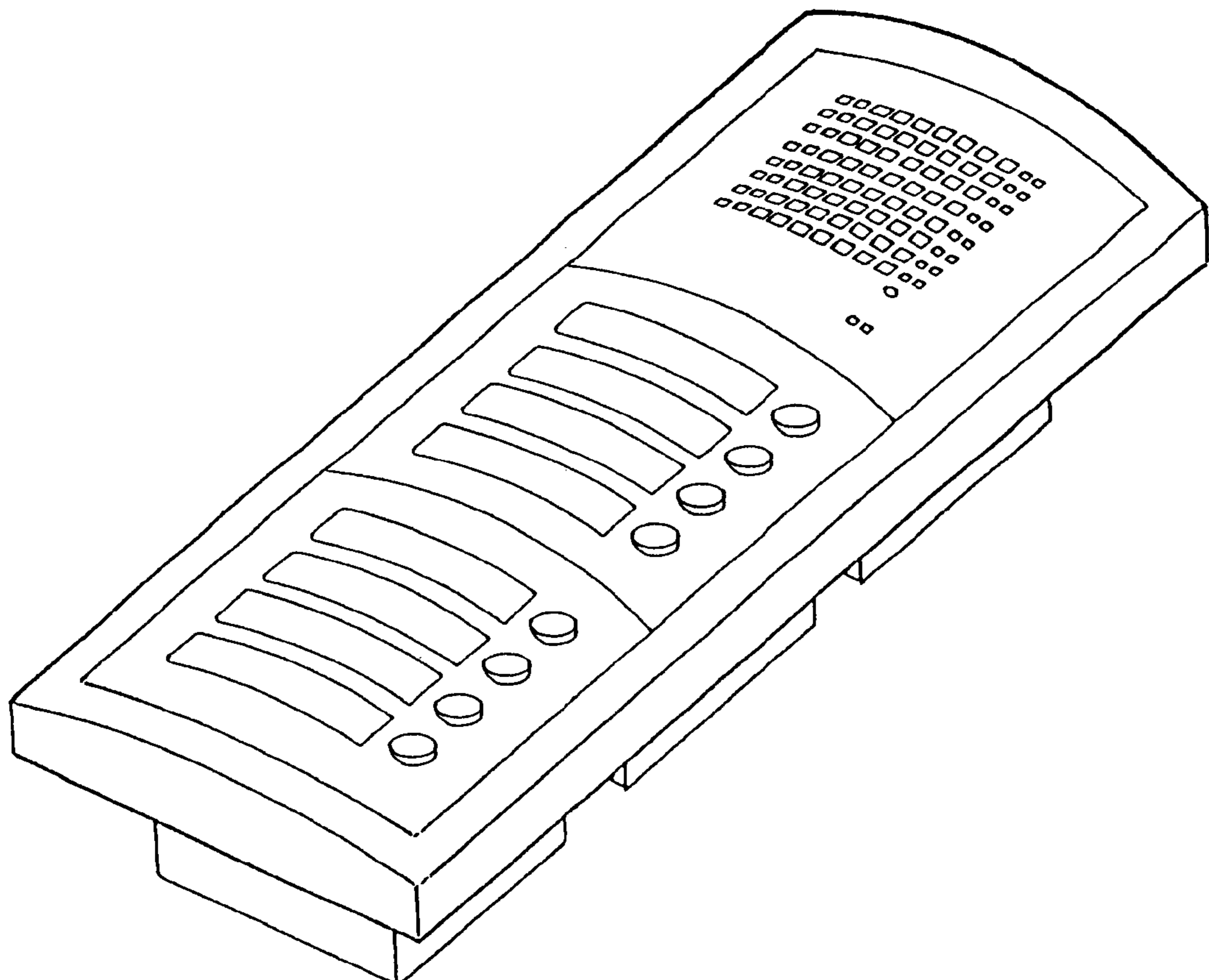


FIG. 1

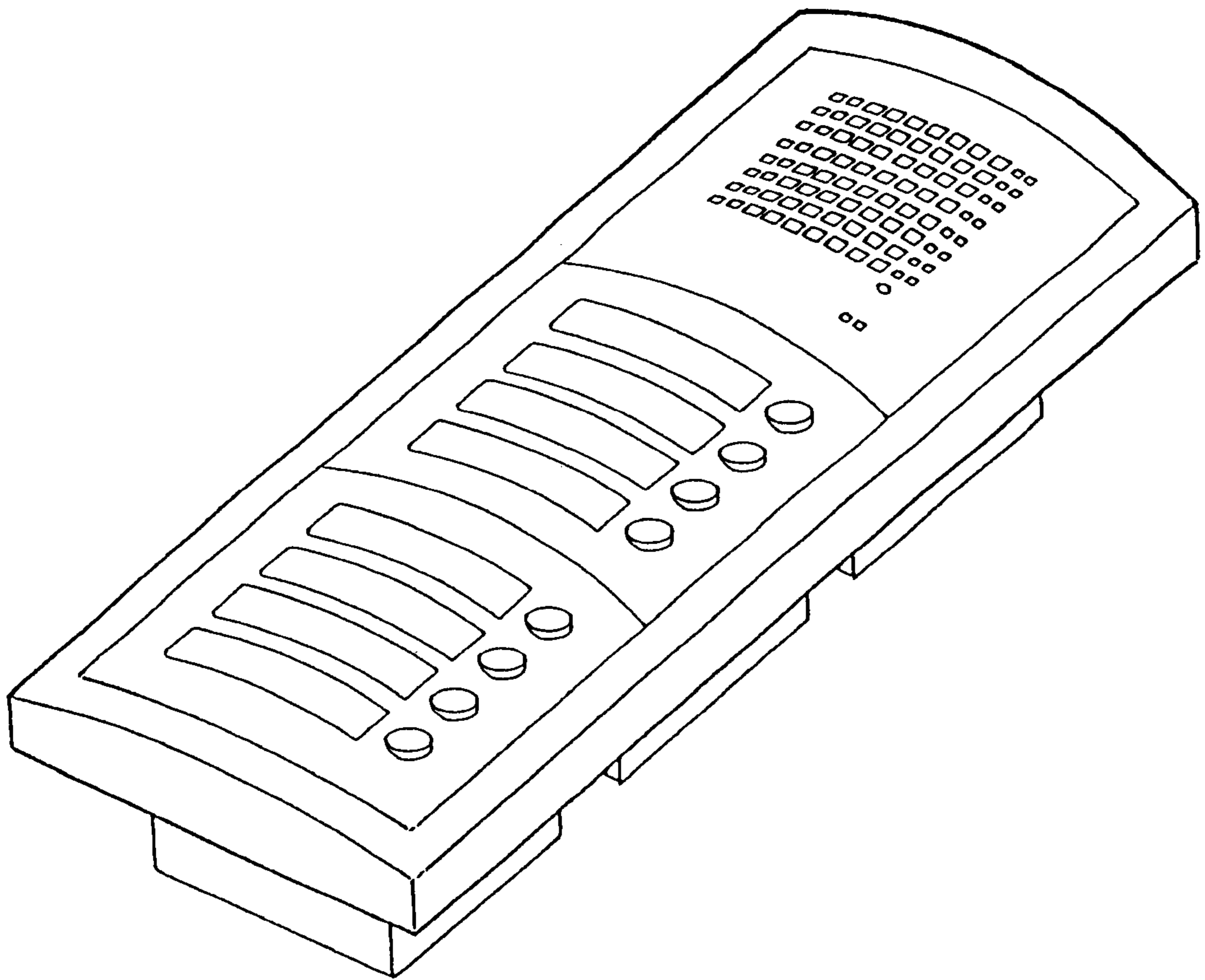


FIG. 2

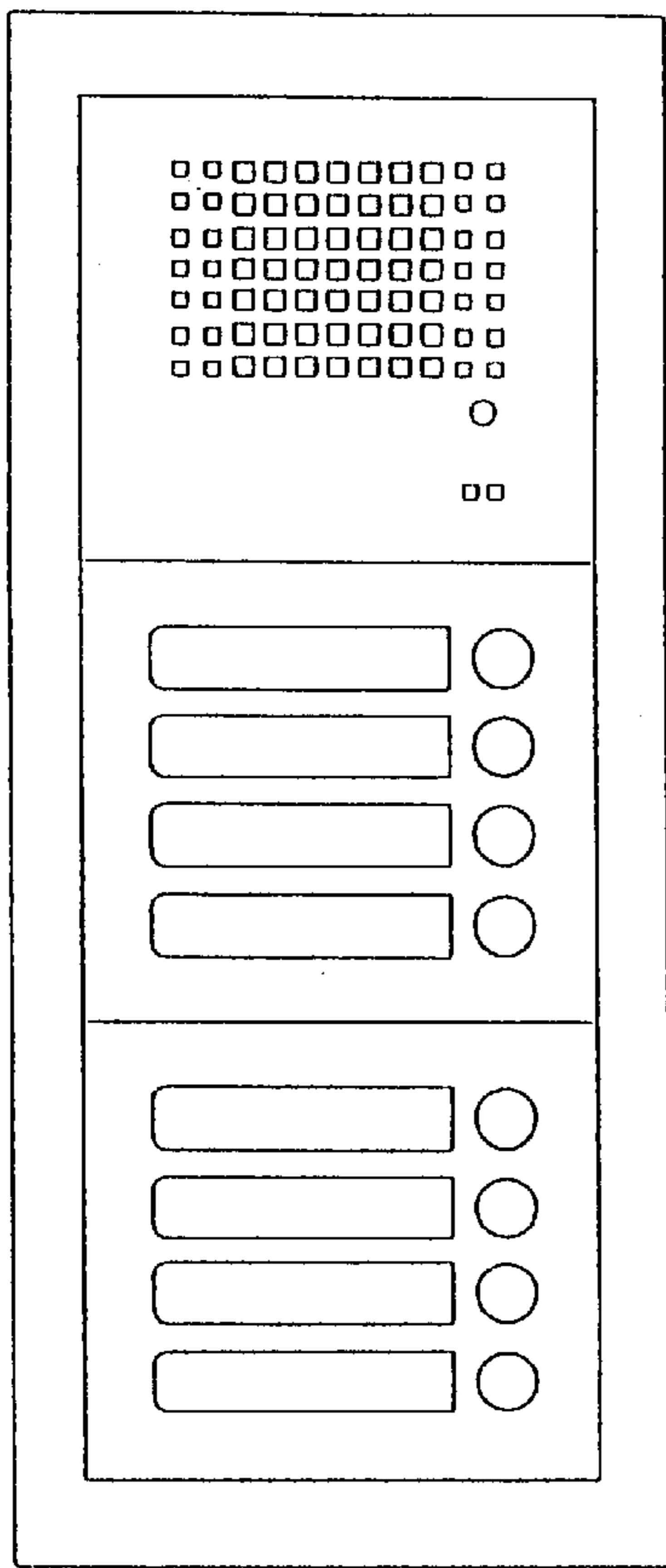


FIG. 3

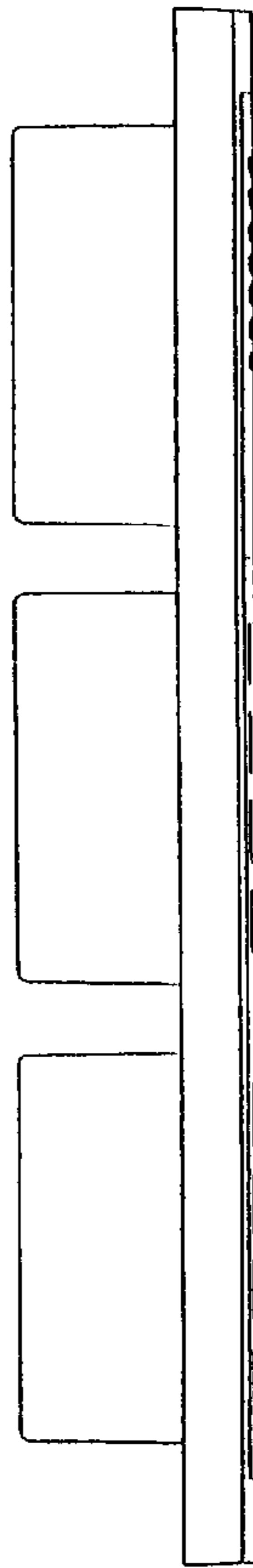


FIG. 4

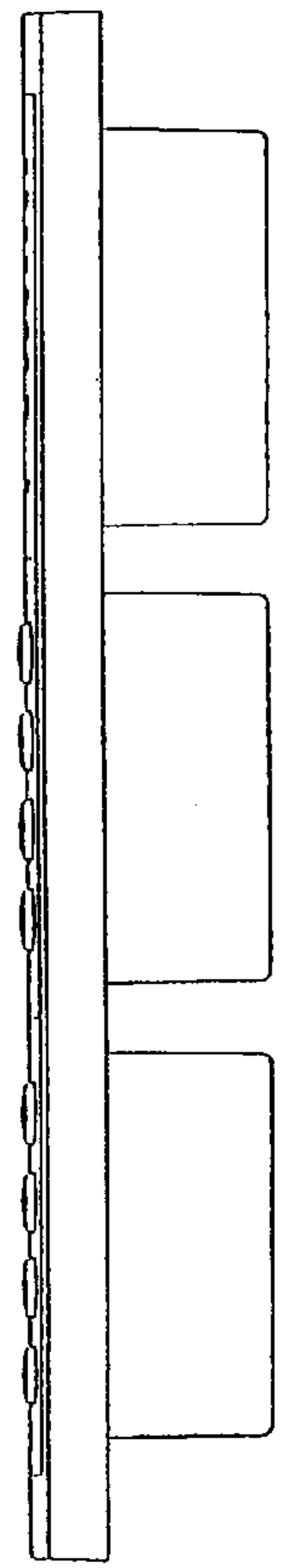


FIG. 5

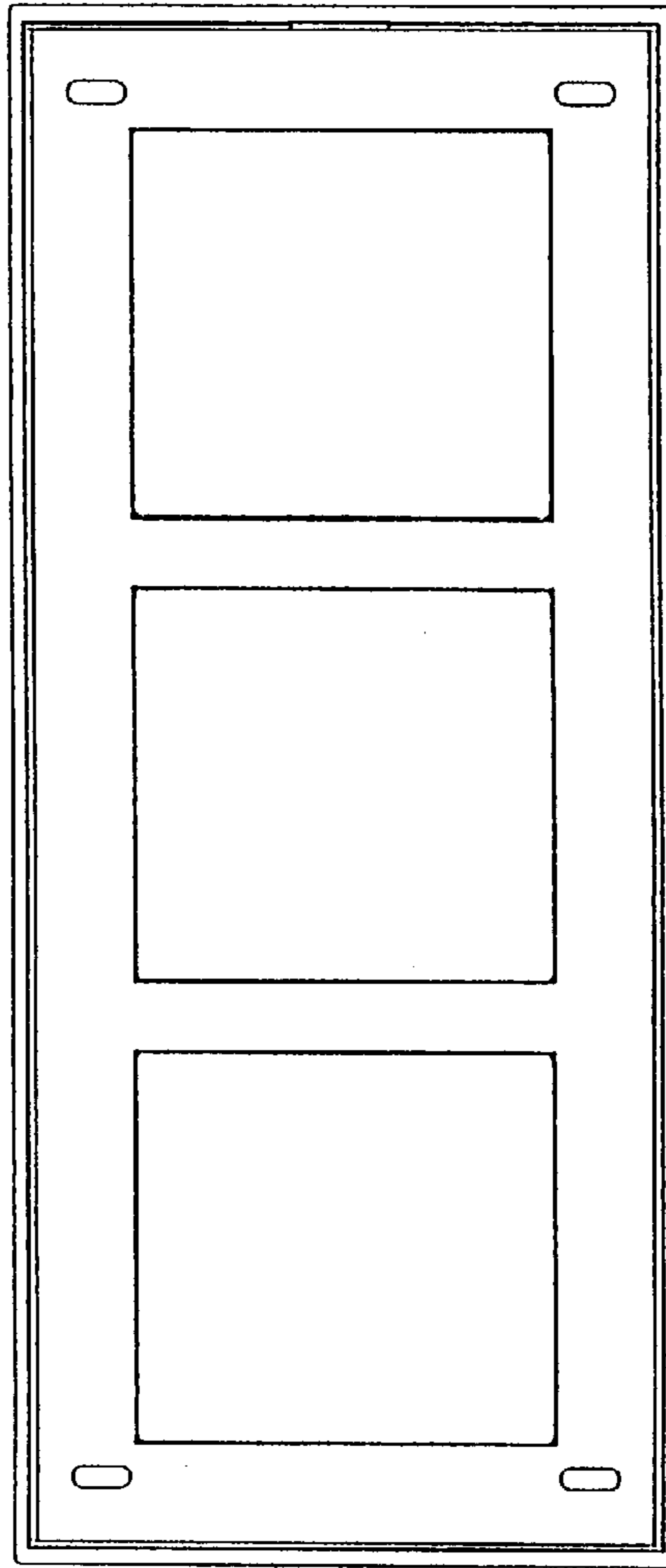


FIG. 6

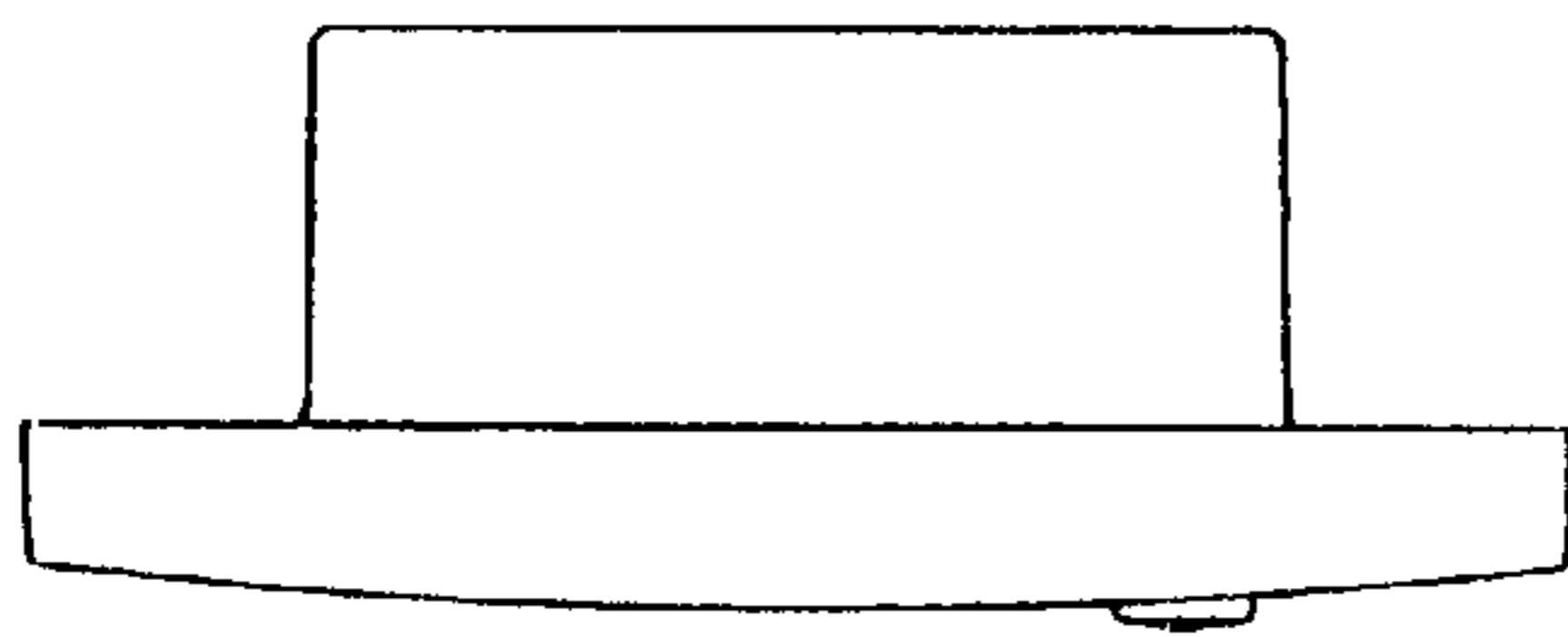


FIG. 7

