

US00D466881S

(12) **United States Design Patent**
Takita et al.

(10) **Patent No.:** **US D466,881 S**

(45) **Date of Patent:** **** Dec. 10, 2002**

(54) **DIGITAL AUDIO DISC PLAYER**

(75) Inventors: **Haruki Takita**, Tokyo (JP); **Yasunobu Shimizu**, Tokyo (JP)

(73) Assignee: **Teac Corporation**, Tokyo (JP)

(**) Term: **14 Years**

(21) Appl. No.: **29/156,548**

(22) Filed: **Mar. 5, 2002**

(30) **Foreign Application Priority Data**

Sep. 6, 2001 (JP) 2001-026307

(51) **LOC (7) Cl.** **14-01**

(52) **U.S. Cl.** **D14/156**

(58) **Field of Search** D14/135-136,
D14/156-157, 167-168, 188, 193-198,
257-258; 369/75.1, 75.2, 77.1, 77.2; 455/344,
347, 350-351

(56) **References Cited**

U.S. PATENT DOCUMENTS

D297,931 S * 10/1988 Yonezawa et al. D14/135

D427,990 S * 7/2000 Ito et al. D14/156

D439,236 S * 3/2001 Ito et al. D14/168

D444,138 S * 6/2001 Ito et al. D14/168

* cited by examiner

Primary Examiner—Nanda Bondade

(74) *Attorney, Agent, or Firm*—Kanesaka & Takeuchi

(57) **CLAIM**

The ornamental design for a digital audio disc player, as shown and described.

DESCRIPTION

FIG. 1 is a front view of a digital audio disc player showing our new design;

FIG. 2 is a top plan view thereof;

FIG. 3 is a bottom plan view thereof;

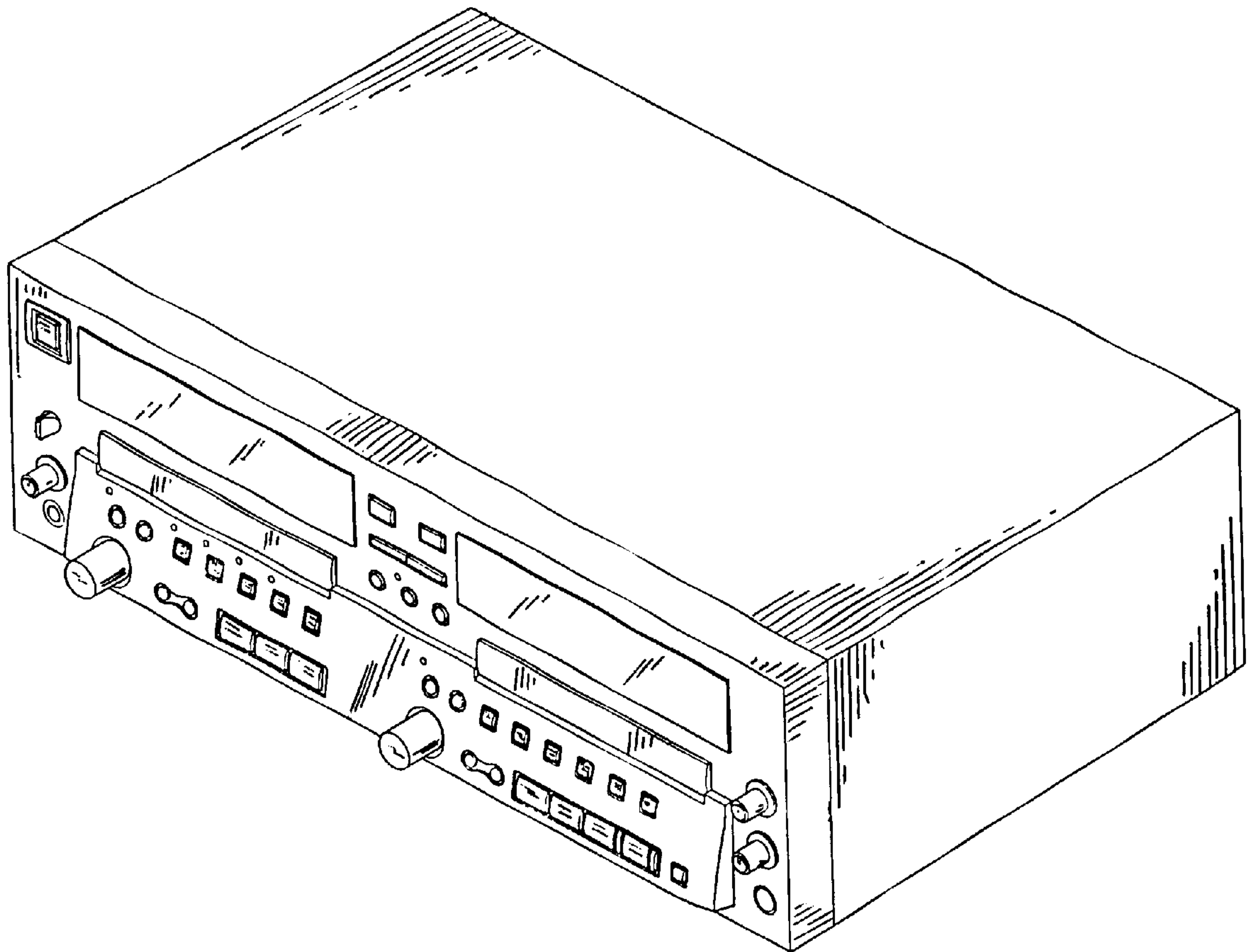
FIG. 4 is a left side view thereof;

FIG. 5 is a right side view thereof;

FIG. 6 is a rear view thereof; and,

FIG. 7 is a perspective view thereof.

1 Claim, 3 Drawing Sheets



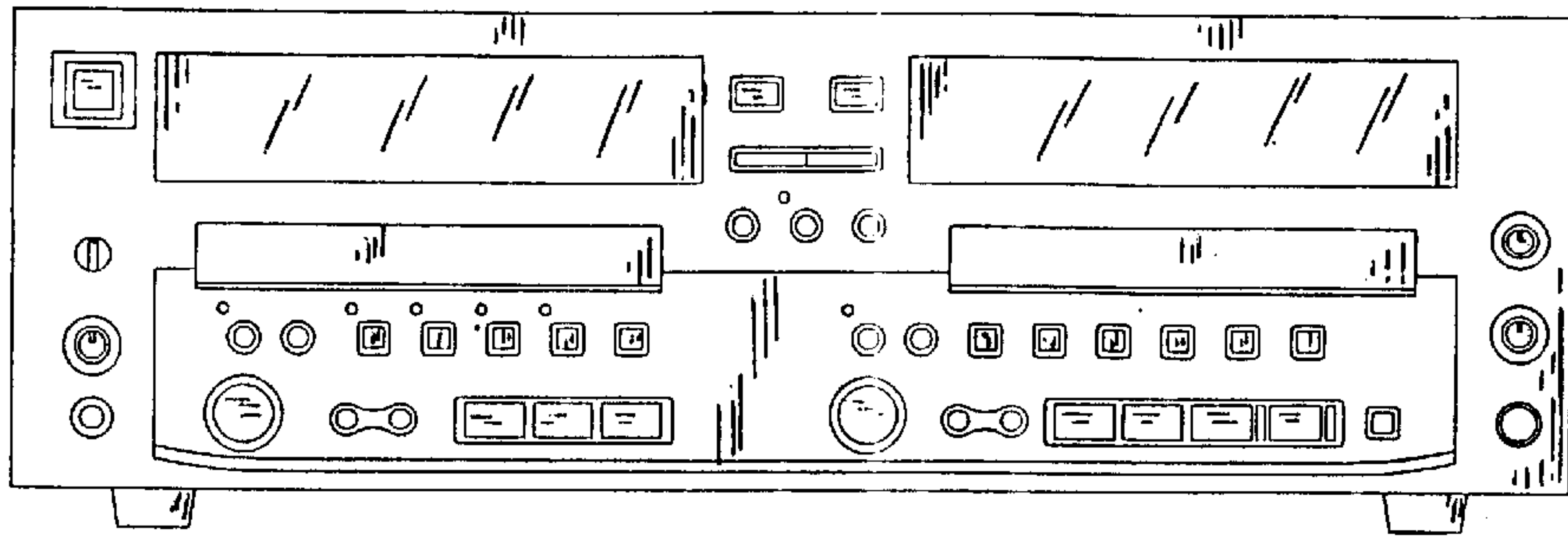


FIG. 1

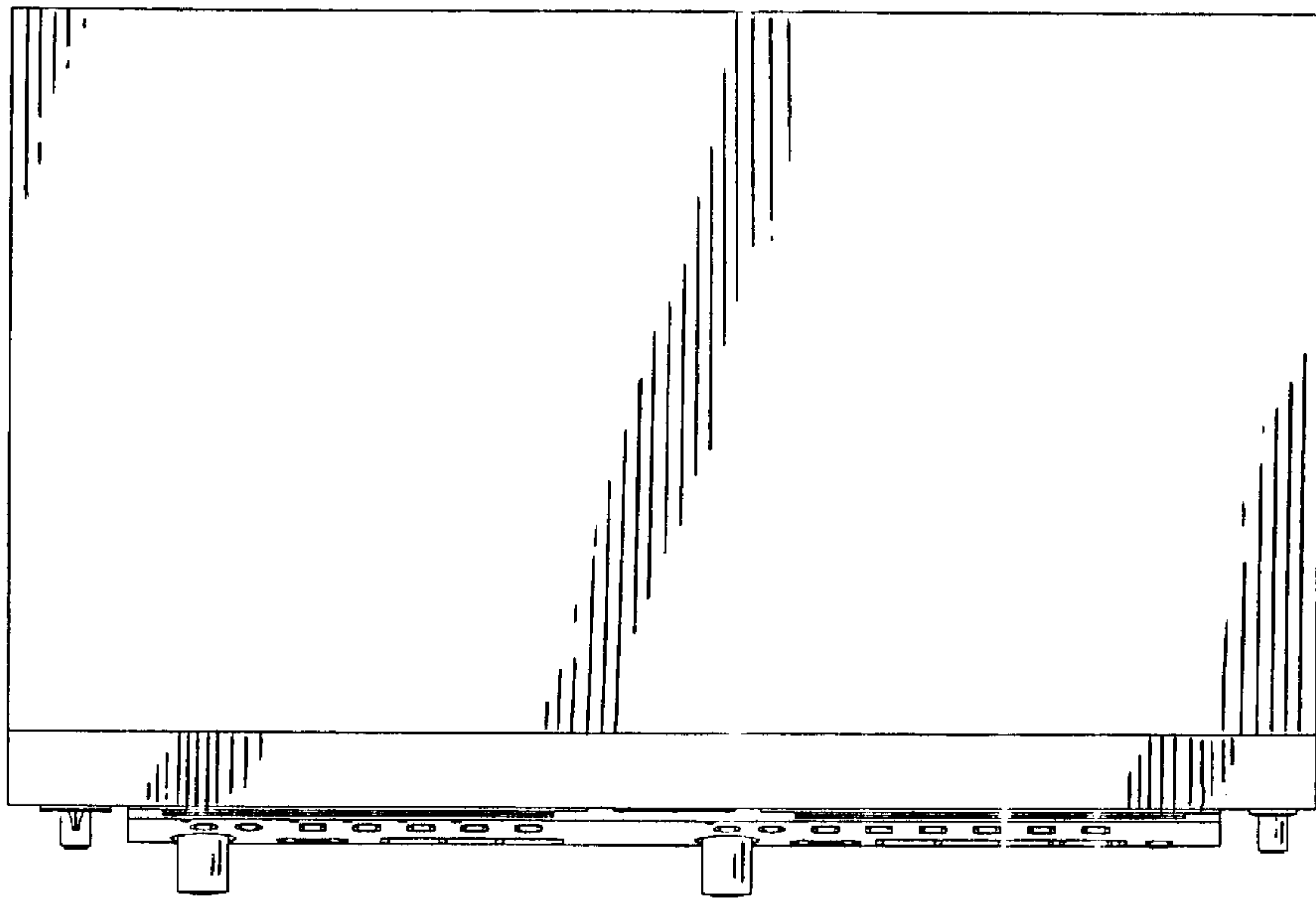


FIG. 2

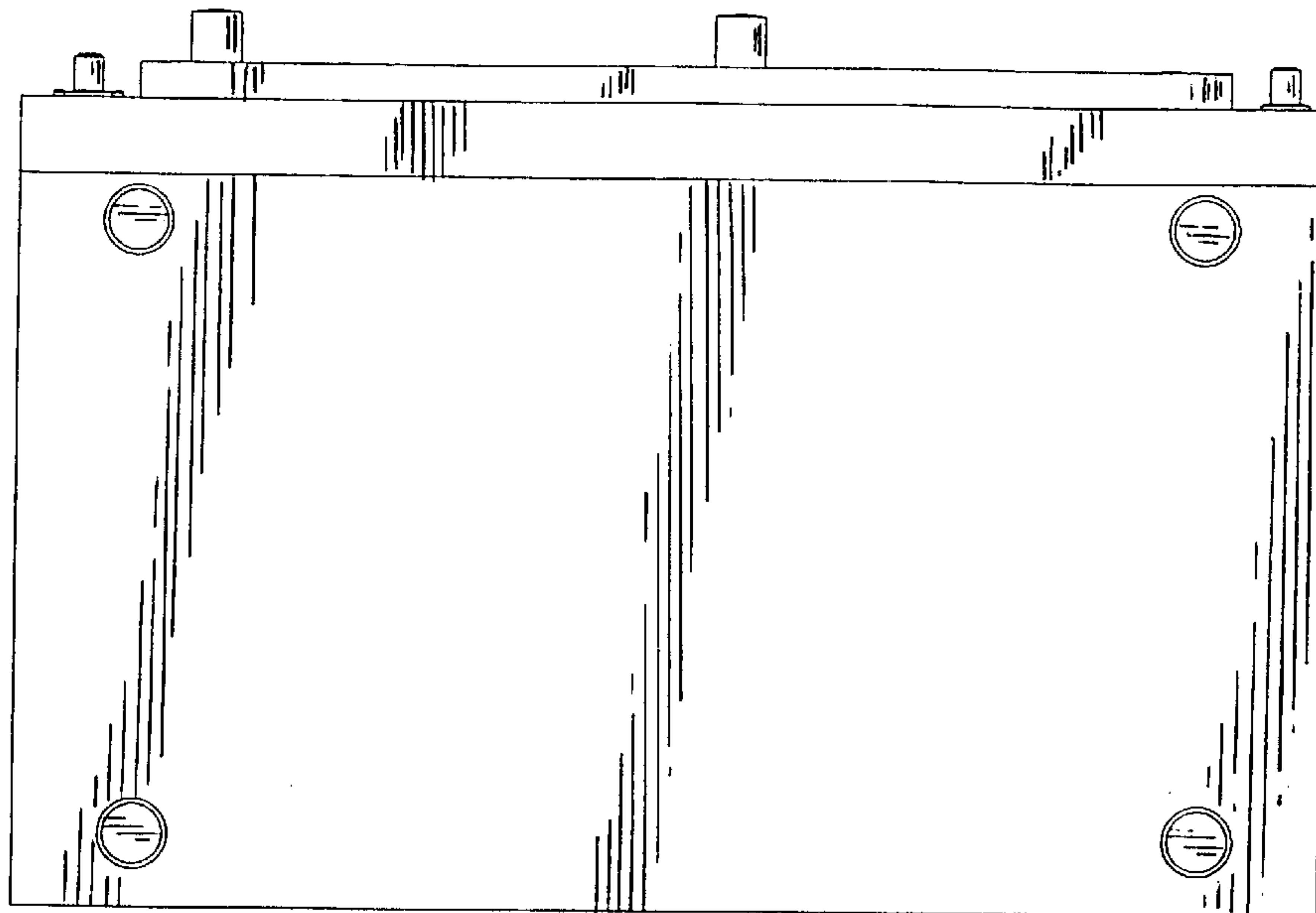


FIG. 3

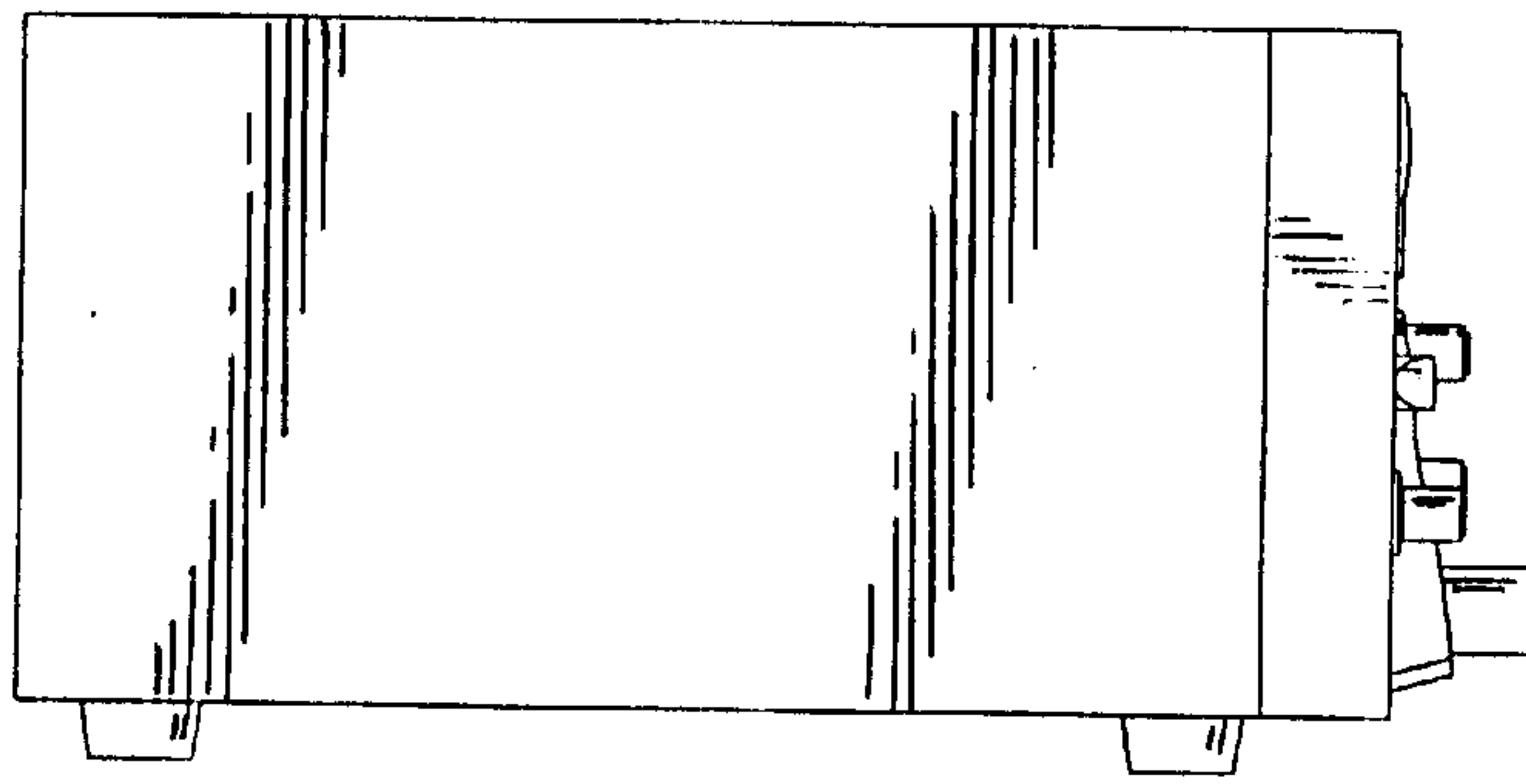


FIG. 4

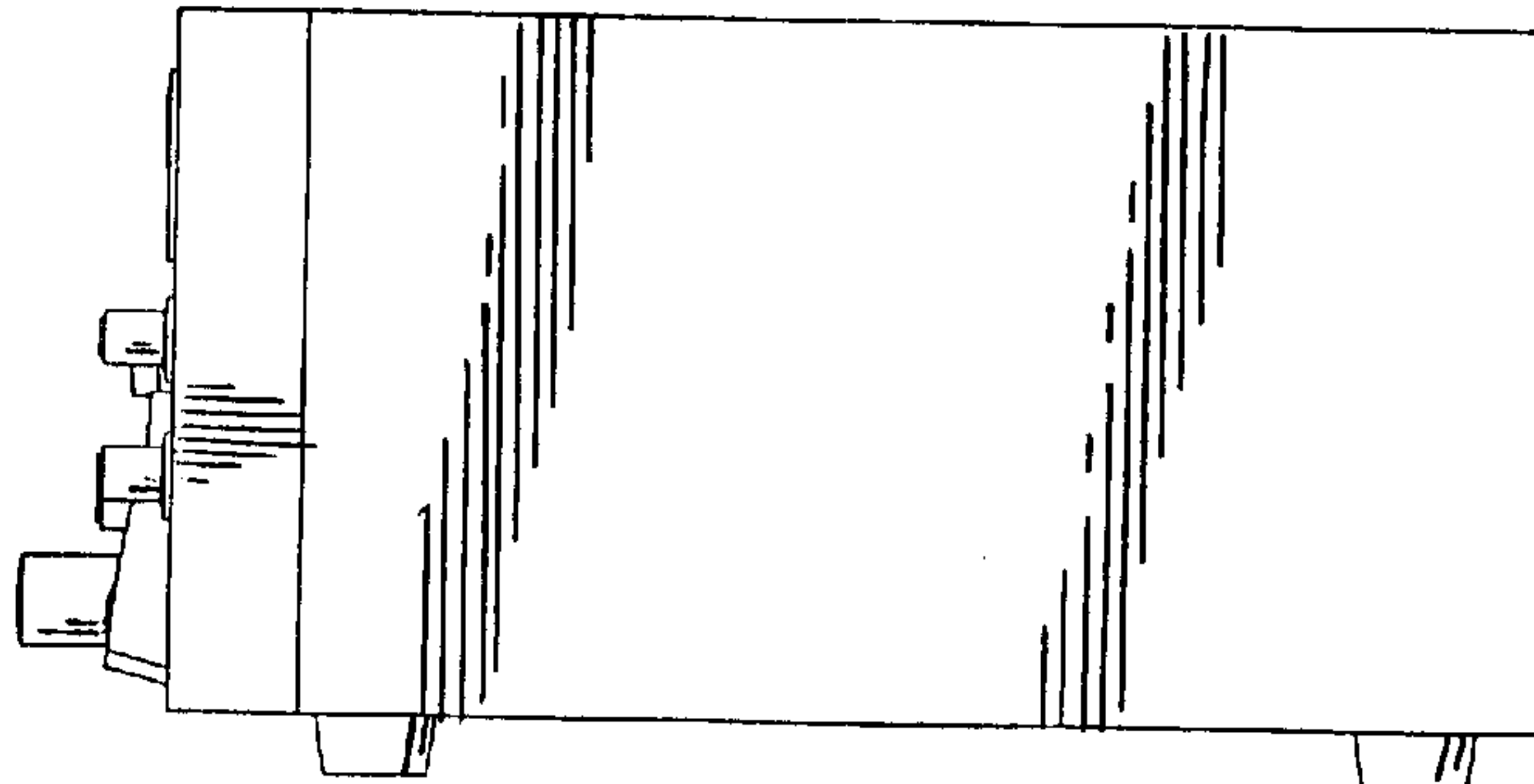


FIG. 5

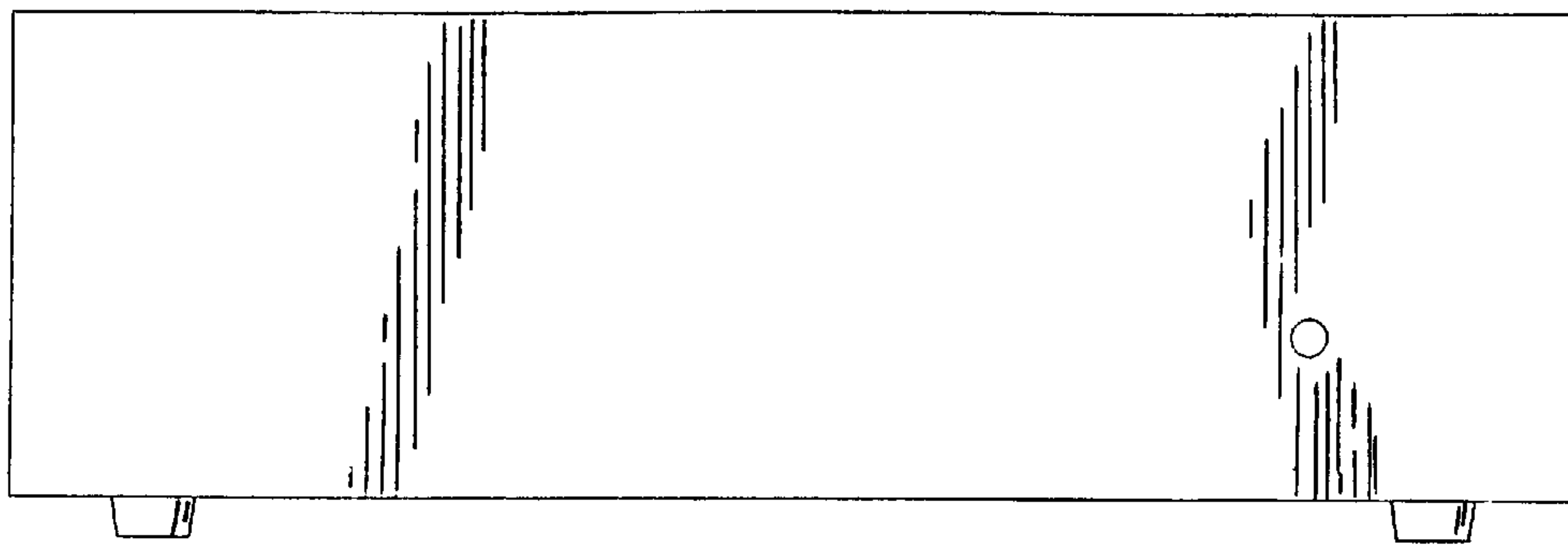


FIG. 6

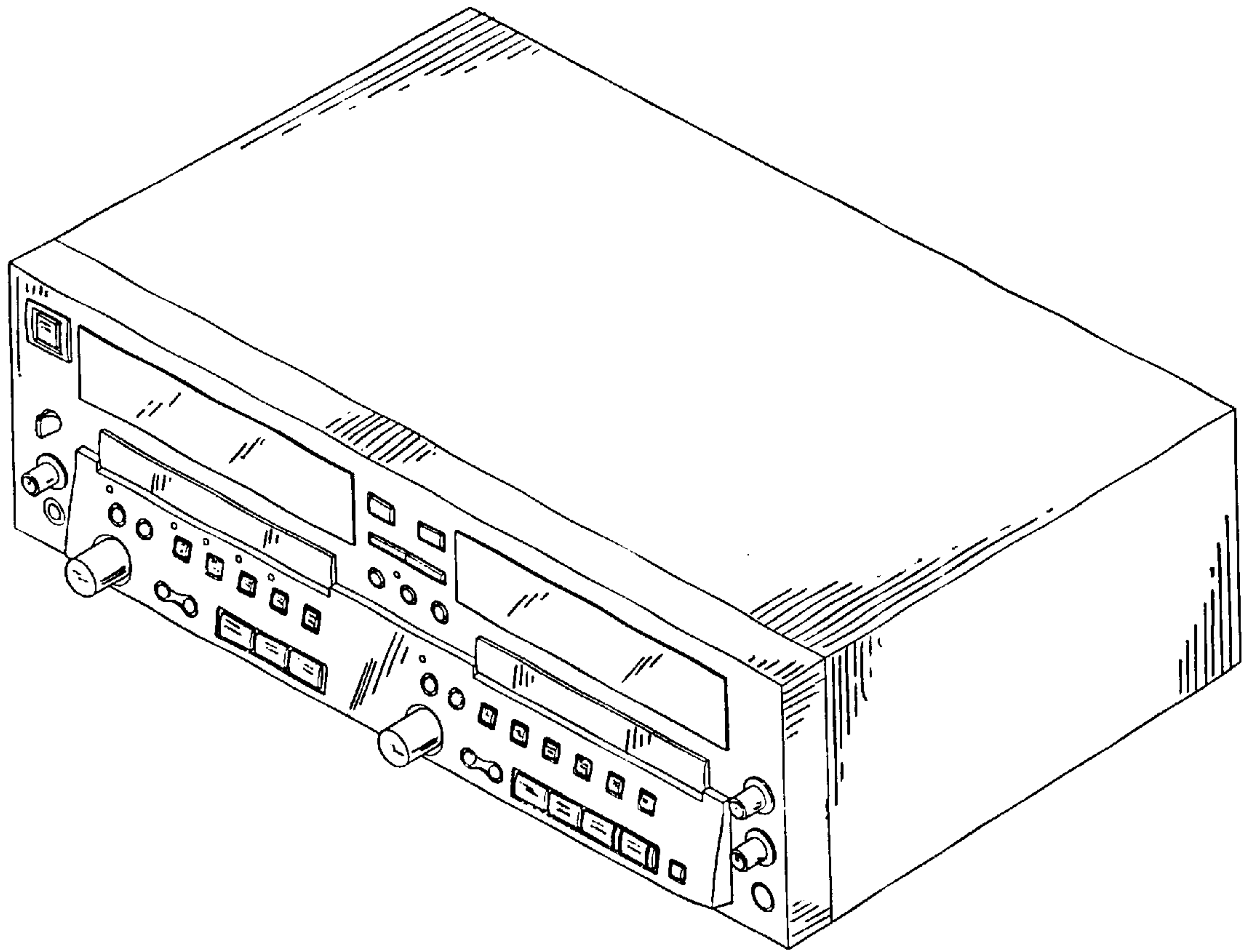


FIG. 7