



US00D466877S

(12) **United States Design Patent**  
**Hawkins et al.**

(10) **Patent No.: US D466,877 S**  
(45) **Date of Patent: \*\* Dec. 10, 2002**

(54) **HAND-HELD DEVICE WITH KEYBOARD**

(75) Inventors: **Jeffrey C. Hawkins**, Atherton, CA  
(US); **Peter N. Skillman**, San Carlos,  
CA (US)

(73) Assignee: **Handspring, Inc.**, Mountain View, CA  
(US)

(\*\*) Term: **14 Years**

(21) Appl. No.: **29/149,703**

(22) Filed: **Oct. 14, 2001**

**Related U.S. Application Data**

(63) Continuation-in-part of application No. 09/976,841, filed on  
Oct. 13, 2001.

(60) Provisional application No. 60/297,817, filed on Jun. 11,  
2001.

(51) **LOC (7) Cl. .... 14-03**

(52) **U.S. Cl. .... D14/138; D14/342**

(58) **Field of Search** ..... D14/137, 138,  
D14/218, 147-148, 247-248, 144, 341-347;  
379/433.01-433.13, 419, 434, 428.01-428.04,  
420.01-420.04, 440; 455/550-575, 90

(56) **References Cited**

**U.S. PATENT DOCUMENTS**

4,545,023 A	10/1985	Mizzi	364/709
4,972,457 A	11/1990	O'Sullivan	379/59
5,127,041 A	6/1992	O'Sullivan	379/59
5,189,632 A	2/1993	Paajanen et al.	364/705.05
5,335,276 A	8/1994	Thompson et al.	380/21
5,353,334 A	10/1994	O'Sullivan	379/59
D354,478 S *	1/1995	Miyahara	D14/345
D359,734 S	6/1995	Nagele et al.	D14/138
5,550,715 A	8/1996	Hawkins	362/31
5,584,054 A *	12/1996	Tyneski et al.	455/566
5,640,444 A	6/1997	O'Sullivan	379/59
D385,875 S *	11/1997	Harris et al.	D14/138
D386,497 S *	11/1997	Huslig et al.	D14/191
5,714,937 A	2/1998	Campana, Jr. et al.	340/573
5,722,059 A	2/1998	Campana, Jr. et al.	455/226.2

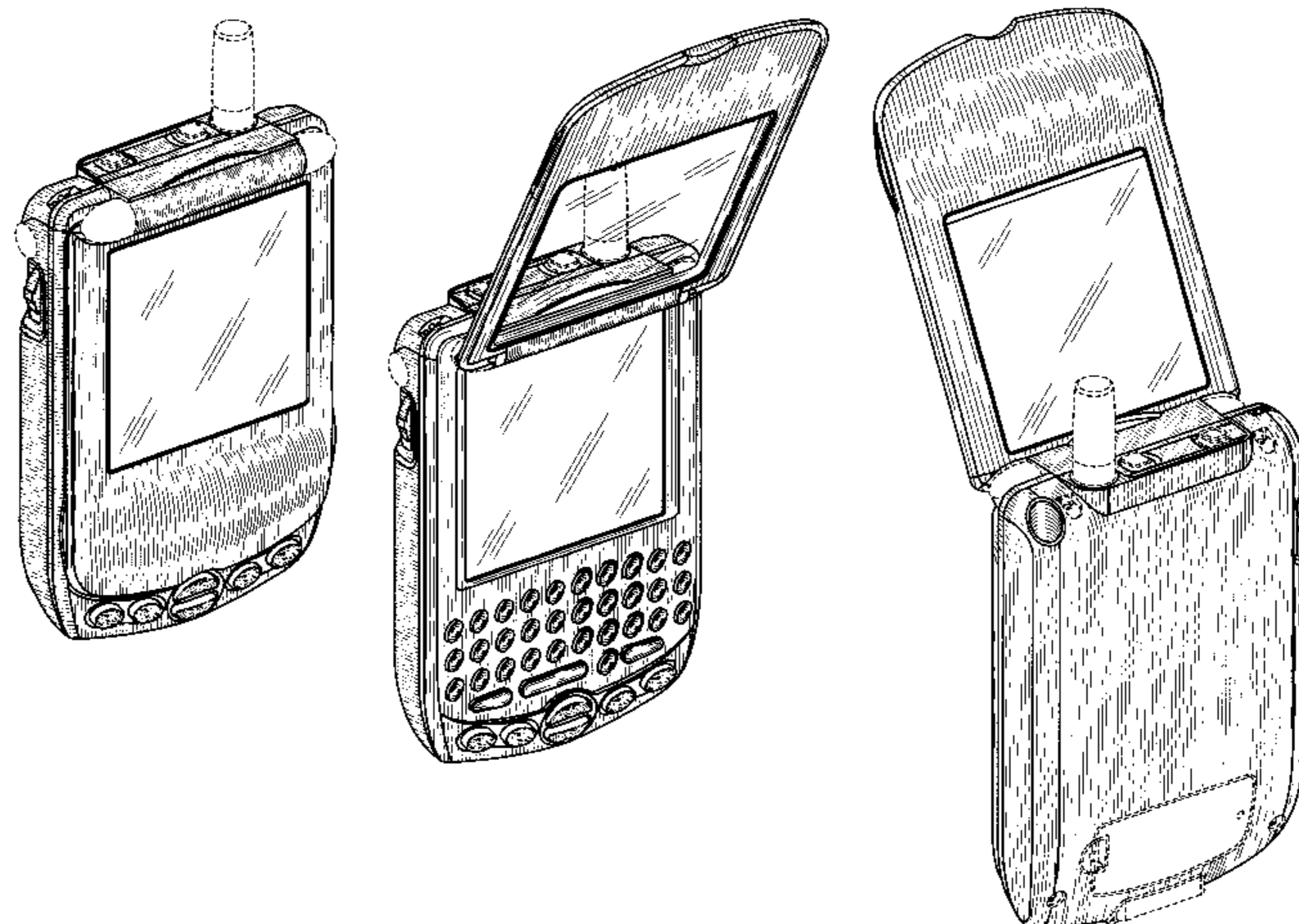
5,722,064 A	2/1998	Campana, Jr. et al.	455/351
D393,856 S	4/1998	Lee et al.	D14/138
D395,300 S *	6/1998	Yamazaki et al.	D14/138
5,761,621 A	6/1998	Sainton	455/453
5,825,675 A *	10/1998	Want et al.	708/142
5,854,985 A	12/1998	Sainton et al.	455/553
D408,021 S *	4/1999	Haitani et al.	D14/345
D408,030 S *	4/1999	Richards et al.	D14/138
D409,185 S *	5/1999	Kawashima	D14/138
D410,486 S *	6/1999	Takahata et al.	D14/345
D416,001 S *	11/1999	Tal et al.	D14/347
D416,256 S *	11/1999	Griffin et al.	D14/191
5,990,872 A *	11/1999	Jorgenson et al.	345/168
D421,744 S *	3/2000	Ono	D14/343
D423,468 S *	4/2000	Jenkins	D14/342
6,058,304 A	5/2000	Callighan et al.	455/422
D432,099 S *	10/2000	Loh et al.	D14/345
D432,535 S *	10/2000	Loh et al.	D14/345
D433,016 S *	10/2000	Matsuda et al.	D14/345
6,134,453 A	10/2000	Sainton et al.	455/553
6,141,540 A *	10/2000	Richards et al.	455/90
6,169,485 B1	1/2001	Campana, Jr. et al.	340/573
6,188,789 B1	2/2001	Marianetti, II et al.	382/189
D439,232 S *	3/2001	Ledingham et al.	D14/144
D440,959 S *	4/2001	Wolf et al.	D14/191
D442,156 S *	5/2001	Lee	D14/138
D443,865 S *	6/2001	Kim	D14/138
D446,199 S *	8/2001	Xu et al.	D14/138
6,278,442 B1	8/2001	Griffin et al.	345/169
6,295,460 B1	9/2001	Nagel et al.	455/557
D450,307 S *	11/2001	Xu et al.	D14/138
D454,349 S *	3/2002	Makidera et al.	D14/343
D455,135 S *	4/2002	Hyun	D14/138
D456,805 S *	5/2002	Ono et al.	D14/342

**FOREIGN PATENT DOCUMENTS**

CA	2187050	5/1997	
EP	0 813 328 A2	12/1997	
EP	0 840 934 B1	4/1999	H01H/13/70
WO	WO 94/10678	5/1994	G09G/5/14
WO	WO 94/16408	7/1994	G06K/9/00
WO	Wo 96/01453	1/1996	G06K/9/00
WO	WO 00/65445	11/2000	G08F/11/00

**OTHER PUBLICATIONS**

BlackBerry Handheld Users Guide, Sep. 7, 1999.  
BlackBerry Desktop Software Installation and Getting  
Started Guide, Feb. 5, 1999.



BlackBerry Enterprise Server Software Installation and Getting Started Guide, Sep. 29, 1999.

Compaq Product Information, *iPAQ Pocket PC Options*, retrieved from internet: [www.compaq.com/products/hand-holds](http://www.compaq.com/products/hand-holds), Nov. 13, 2001.

Choi, H., *First Look: Samsung 1300 Cellphone/PDA*, retrieved from internet [www.techtv.com](http://www.techtv.com), Mar. 28, 2001.

Handspring Product Information: *VisorPhone The Springboard Module that Transforms your Visor into an Extraordinary Phone*, (2000).

Handspring, *Sprint and Airprime Delivery First Wireless CDMA Phone and Data Module for the Handspring Visor*, [retrieved Aug. 6, 2001], retrieved from the internet [www.handspring/pr59.jhtml](http://www.handspring/pr59.jhtml).

Handspring VisorPhone Module User Guide, (2000–2001).

IBM Technical Disclosure Bulletin: *SimpleUser Interface to a Cellular Telephone*, Oct. 1995, pp 349–350, [retrieved Jul. 5, 2001], retrieved from internet, Oct. 2001.

IBM Technical Disclosure Bulletin: *Inexpensive Personal Digital Assistant*, Apr. 1995, pp. 525–526, retrieved from internet, Apr. 2001.

Kyocera's Smartphone Series, retrieved from internet [www.kyocera-wireless.com](http://www.kyocera-wireless.com), 2001.

Mossberg, W., *Samsung Embeds Cellphone Inside Palm in New 1300 Device*, Aug. 30, 2001, [retrieved Oct. 26, 2001], retrieved from internet <http://www.ptech.wsj.com/archive/ptech-20010830.html>.

Newspaper Article: *Ways to Escape Multiple-Remote Hell*, San Jose Mercury News, Jun. 14, 2001.

Nokia 9110 Accessories Quick Guide Instruction Manual, 1999.

Sprint PCS User Guide—Samsung Model SCH–8500, 1999.

Technical White Paper BlackBerry Enterprise Edition for Microsoft Exchange, Version 2.1, (1999–2001).

TUCOWS PDA Phone GSM Dailer: GSM Dailer 1.0, Nov. 30, 2000, [retrieved Jun. 19, 2001], retrieved from internet [http://pds.rcp.net/pe/pocket/preview\\_154208.html](http://pds.rcp.net/pe/pocket/preview_154208.html).

\* cited by examiner

*Primary Examiner*—Jeffrey Asch

(74) *Attorney, Agent, or Firm*—Fenwick & West LLP

(57)

### CLAIM

The ornamental design for a hand-held device with keyboard, as shown and described.

### DESCRIPTION

FIG. 1 is a first front perspective view of a first embodiment of the hand-held device with keyboard with a lid in a closed position according to the present invention;

FIG. 2 is a first back perspective view of a first embodiment of the hand-held device with keyboard with the lid in the closed position according to the present invention;

FIG. 3 is a front plan view of a first embodiment of the hand-held device with keyboard with a lid in a closed position according to the present invention;

FIG. 4 is a back plan view of a first embodiment of the hand-held device with keyboard with a lid in a closed position according to the present invention;

FIG. 5 is a first side plan view of a first embodiment of the hand-held device with keyboard with the lid in the closed position according to the present invention;

FIG. 6 is a second side plan view of a first embodiment of the hand-held device with keyboard with the lid in the closed position according to the present invention;

FIG. 7 is a bottom plan view of a first embodiment of the hand-held device with keyboard with the lid in the closed position according to the present invention;

FIG. 8 is a top plan view of a first embodiment of the hand-held device with keyboard with the lid in the closed position according to the present invention;

FIG. 9 is a first front perspective view of a first embodiment of the hand-held device with keyboard with the lid extended in an open position showing a first embodiment of a keyboard according to the present invention;

FIG. 10 is a first back perspective view of a first embodiment of the hand-held device with keyboard with the lid extended in an open position according to the present invention;

FIG. 11 is a front plan view of a second embodiment of the hand-held device with keyboard with the lid extended in an open position showing a second embodiment of a keyboard according to the present invention;

FIG. 12 is a back plan view of a second embodiment of the hand-held device with keyboard with the lid extended in an open position according to the present invention;

FIG. 13 is a first side plan view of the first embodiment of the hand-held device with keyboard with the lid extended in an open position according to the present invention;

FIG. 14 is a second side plan view of the first embodiment of the hand-held device with keyboard with the lid extended in an open position according to the present invention;

FIG. 15 is a bottom plan view of the first embodiment of the hand-held device with keyboard with the lid extended in an open position according to the present invention; and,

FIG. 16 is a top plan view of the first embodiment of the hand-held device with keyboard with the lid extended in an open position according to the present invention.

Those aspects of the device shown in broken lines are for illustrative purposes only and form no part of the claimed design.

The first embodiment includes a contrasting color on some of the keys of the interior keypad. The contrasting color is indicated in FIG. 9 with heavier black shading at the top and right edge of the keys. The second embodiment, FIGS. 11 and 12 does not include the contrasting color, but the two embodiments are the same in all other respects.

**1 Claim, 8 Drawing Sheets**

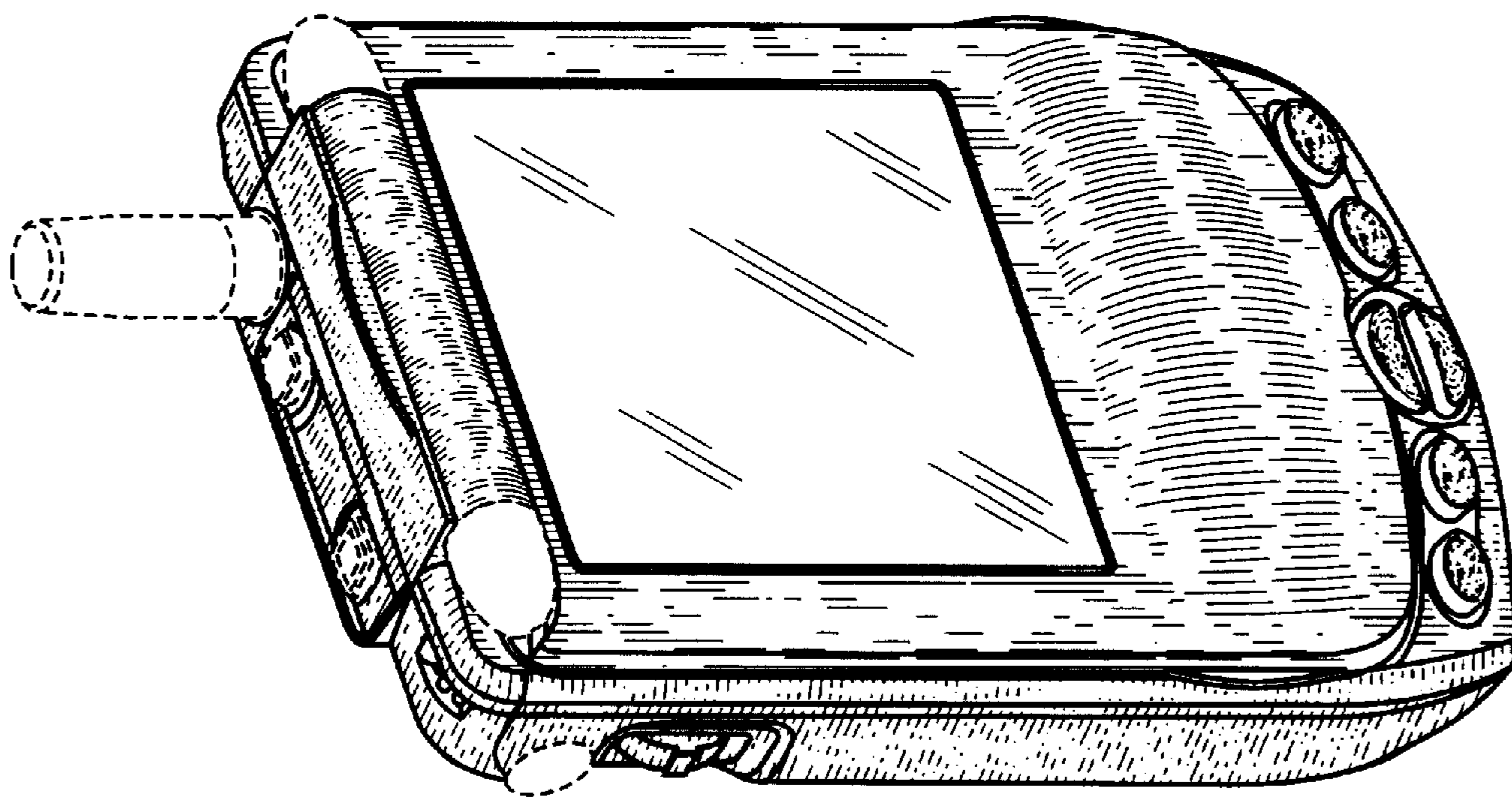


FIG. 1

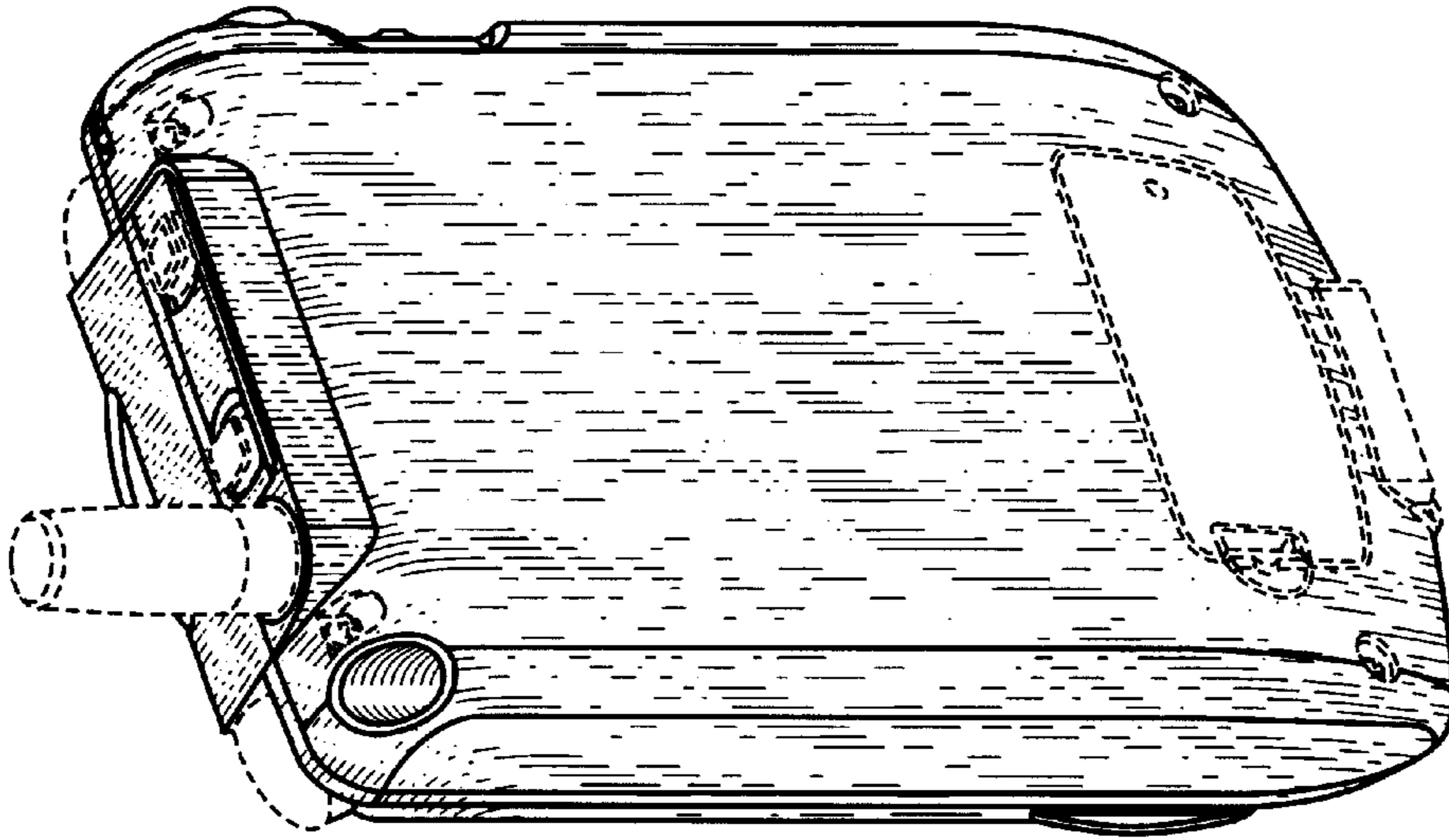


FIG. 2

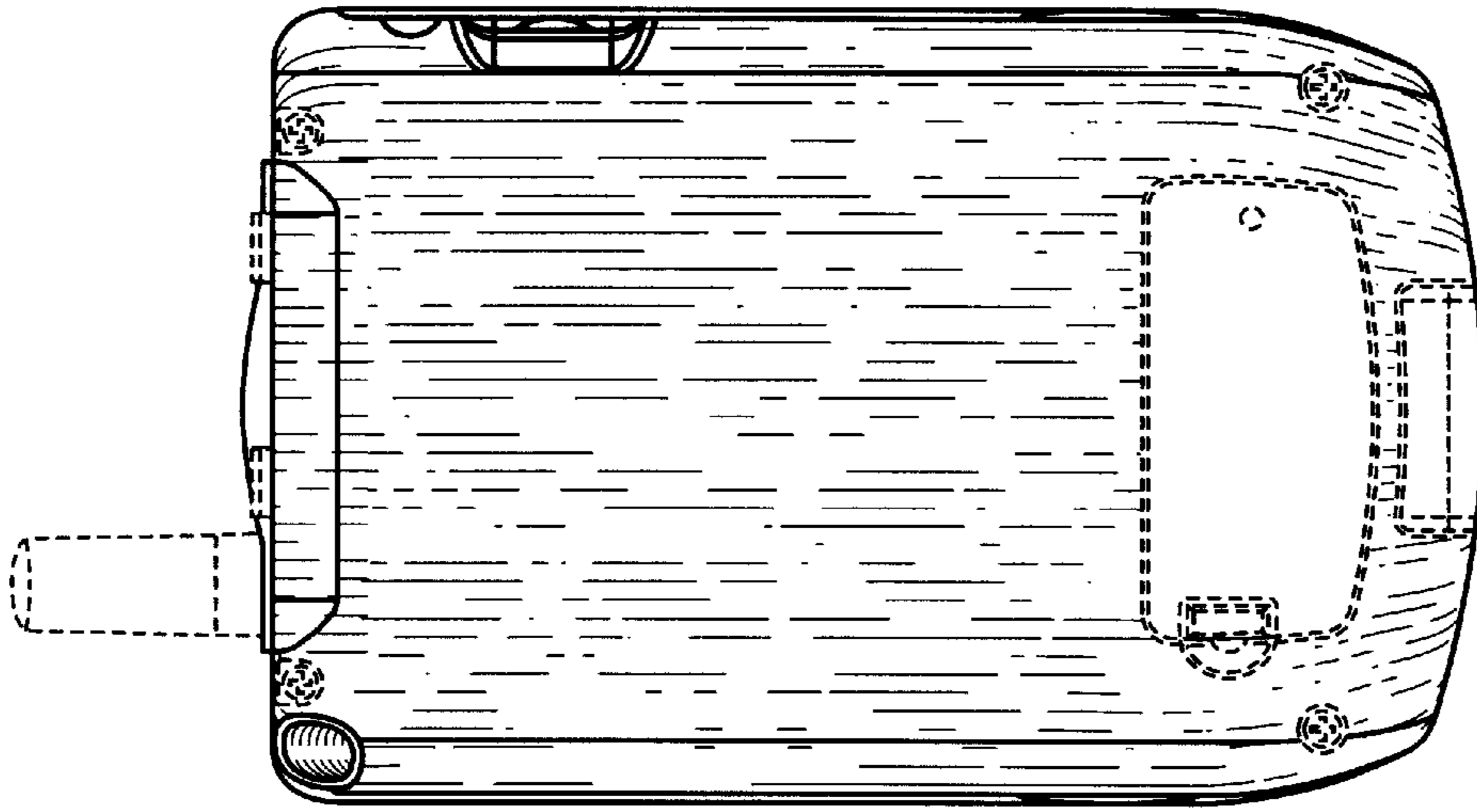


FIG. 3

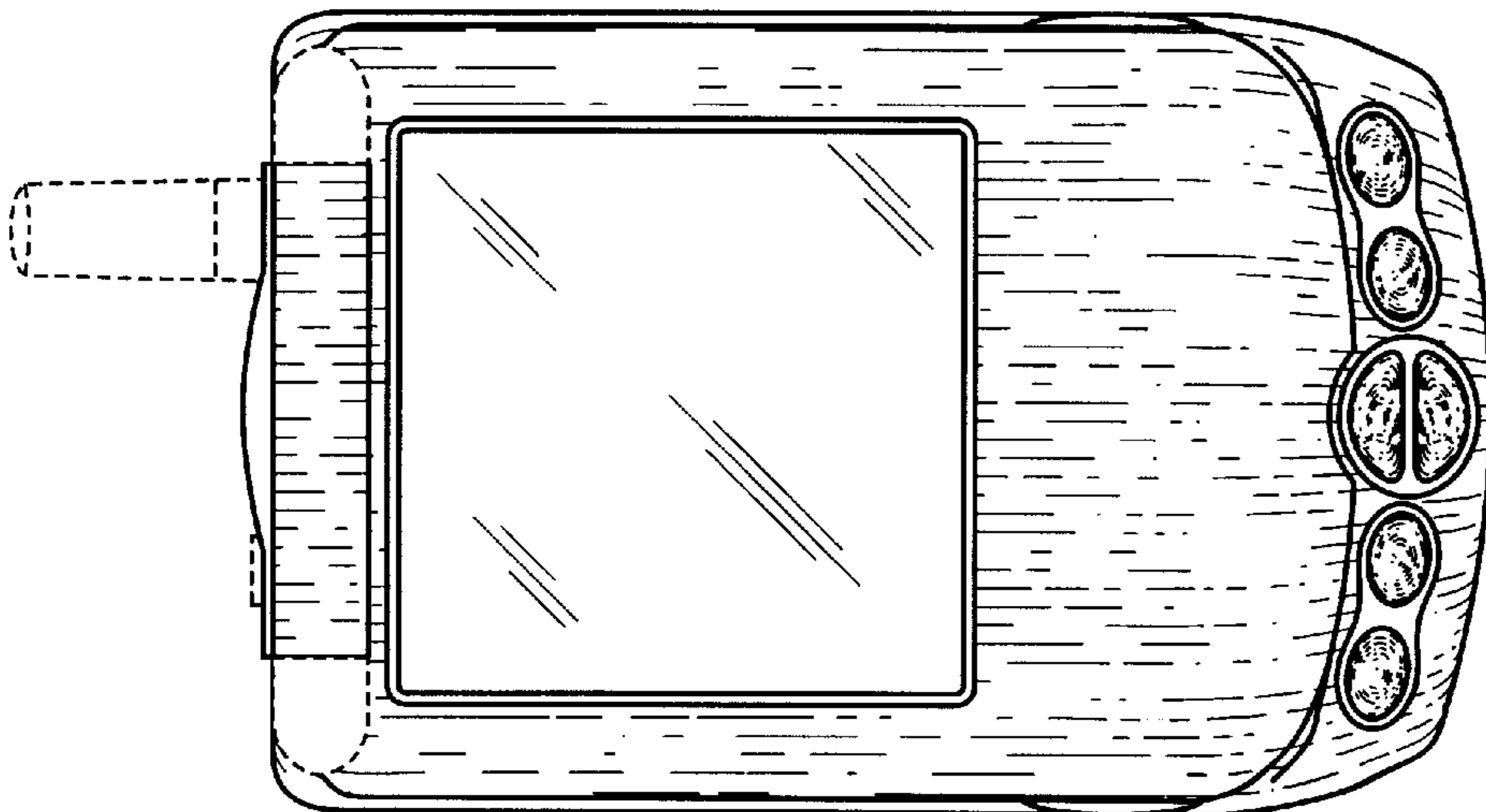
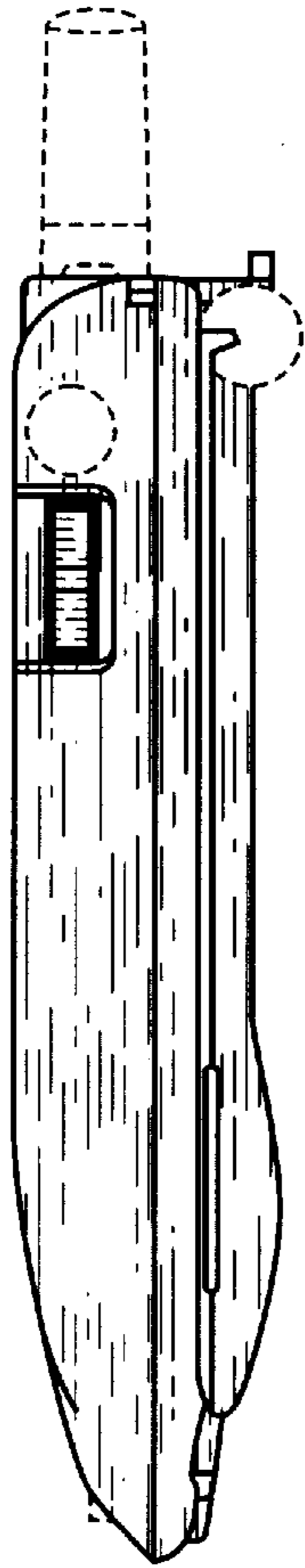


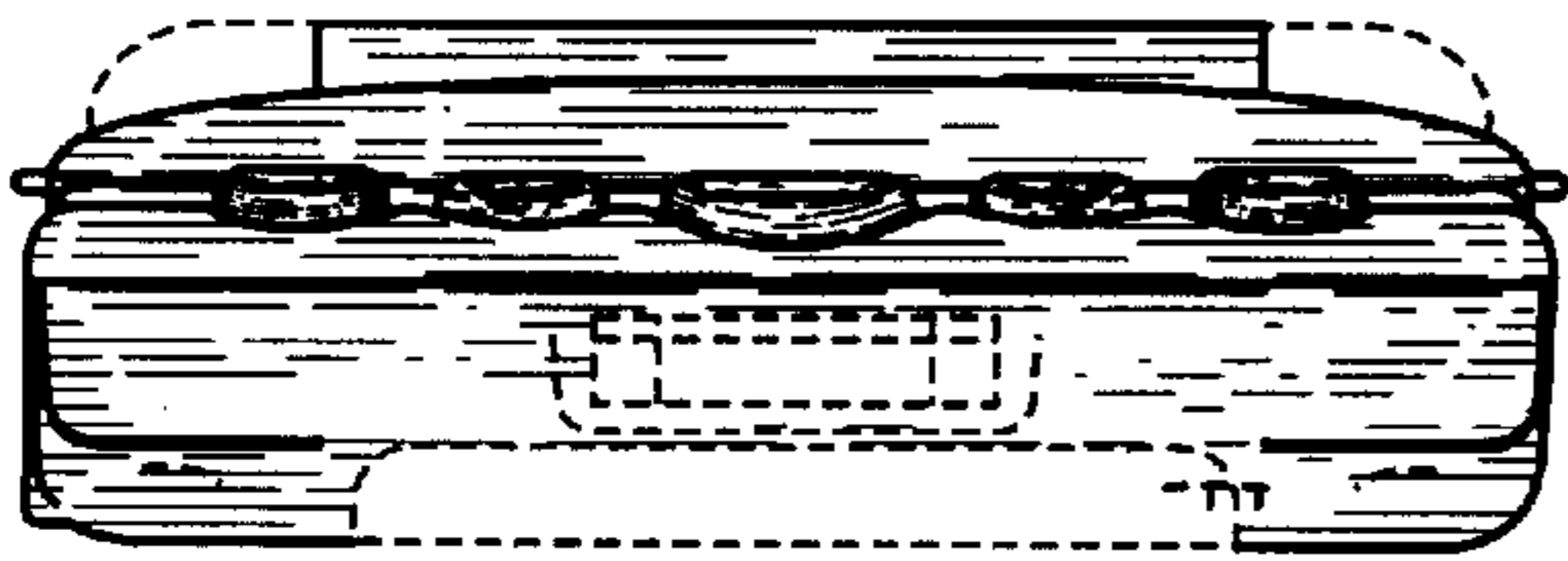
FIG. 4



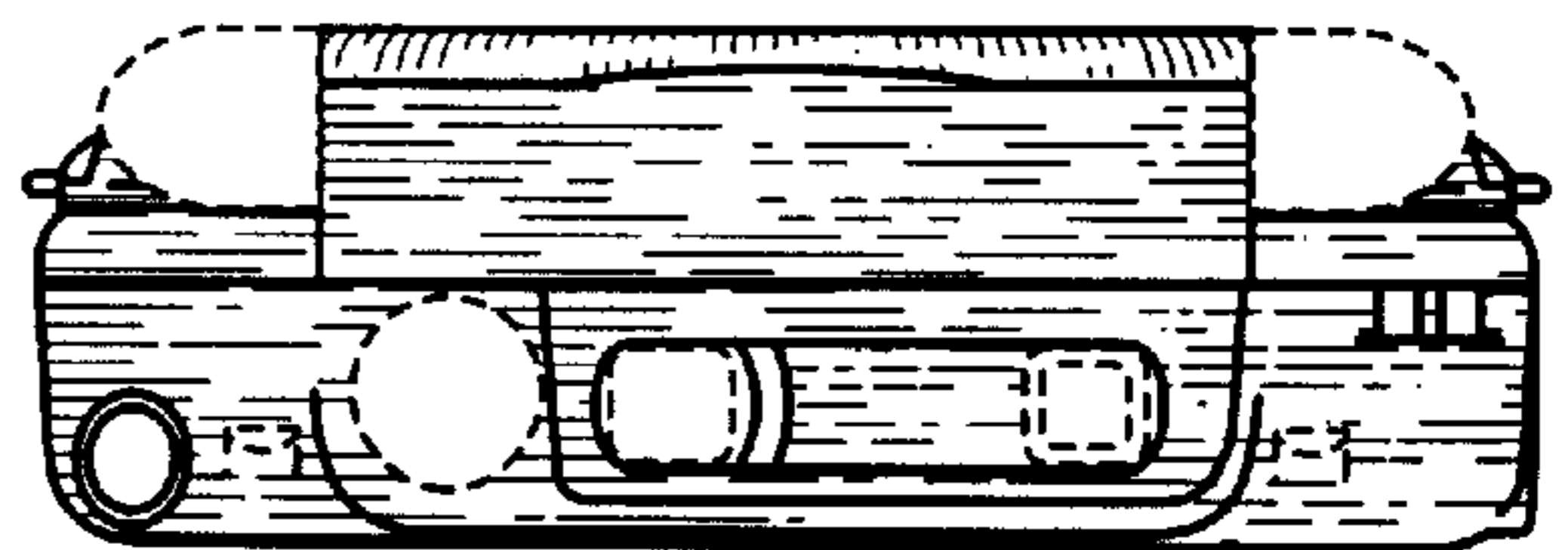
**FIG. 5**



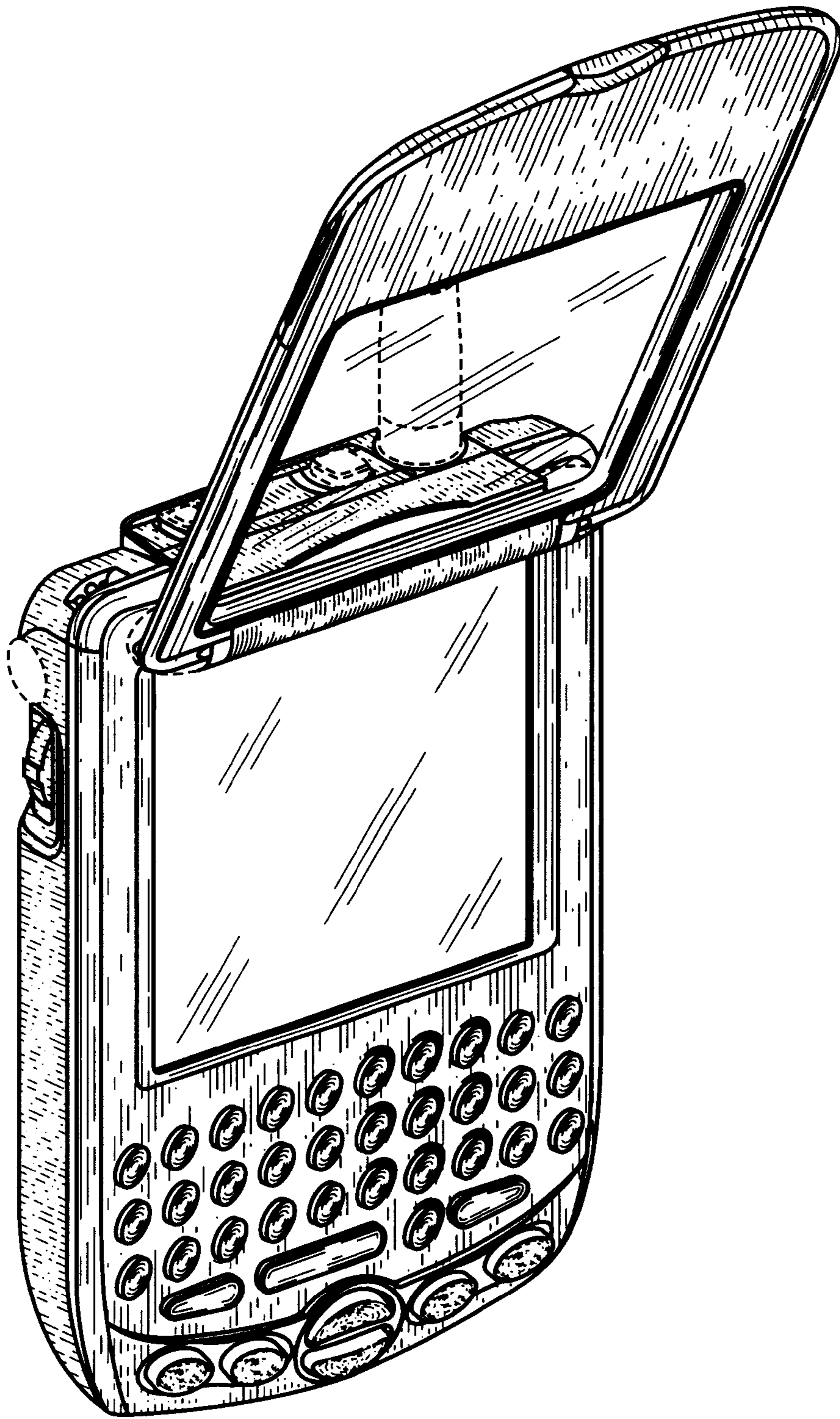
**FIG. 6**



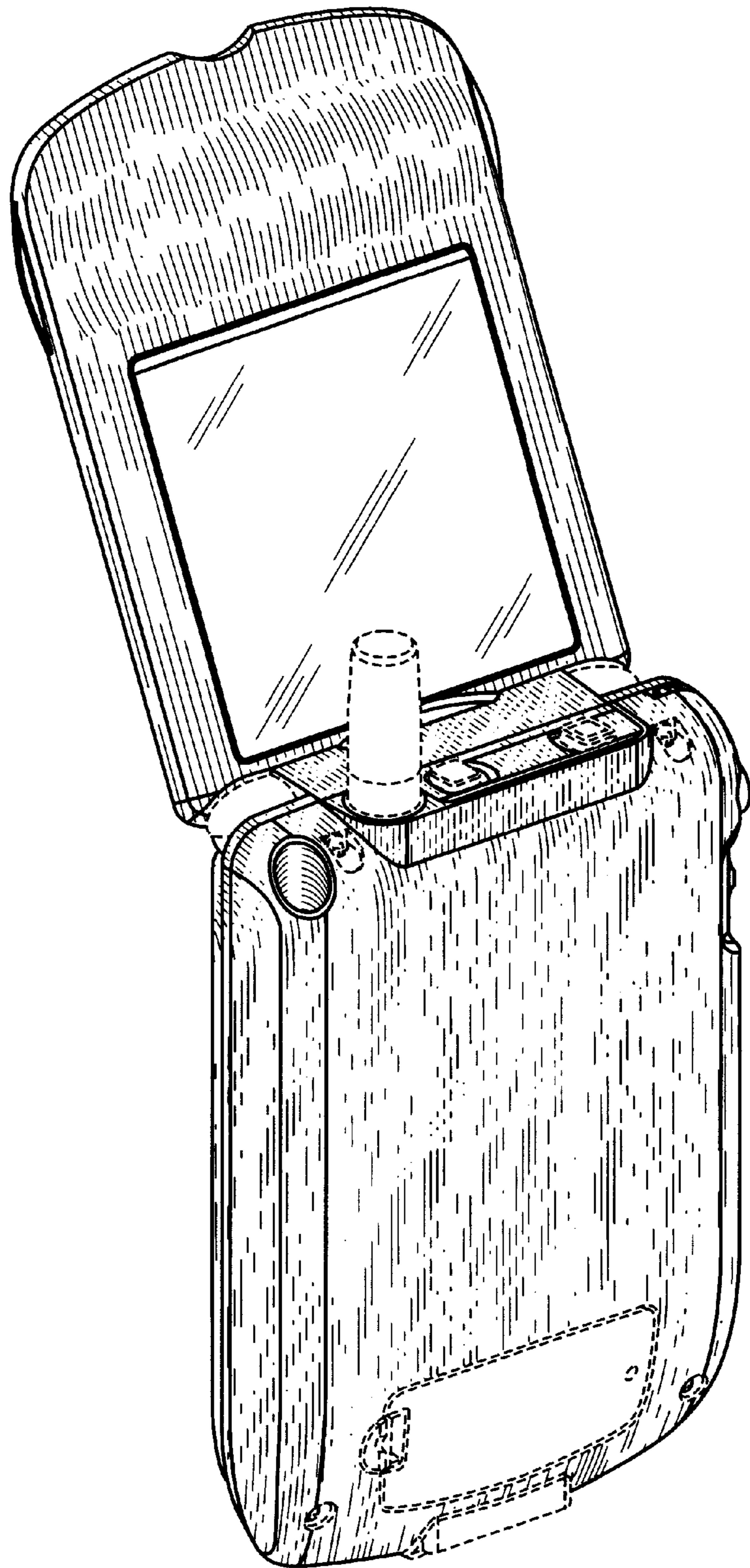
**FIG. 7**



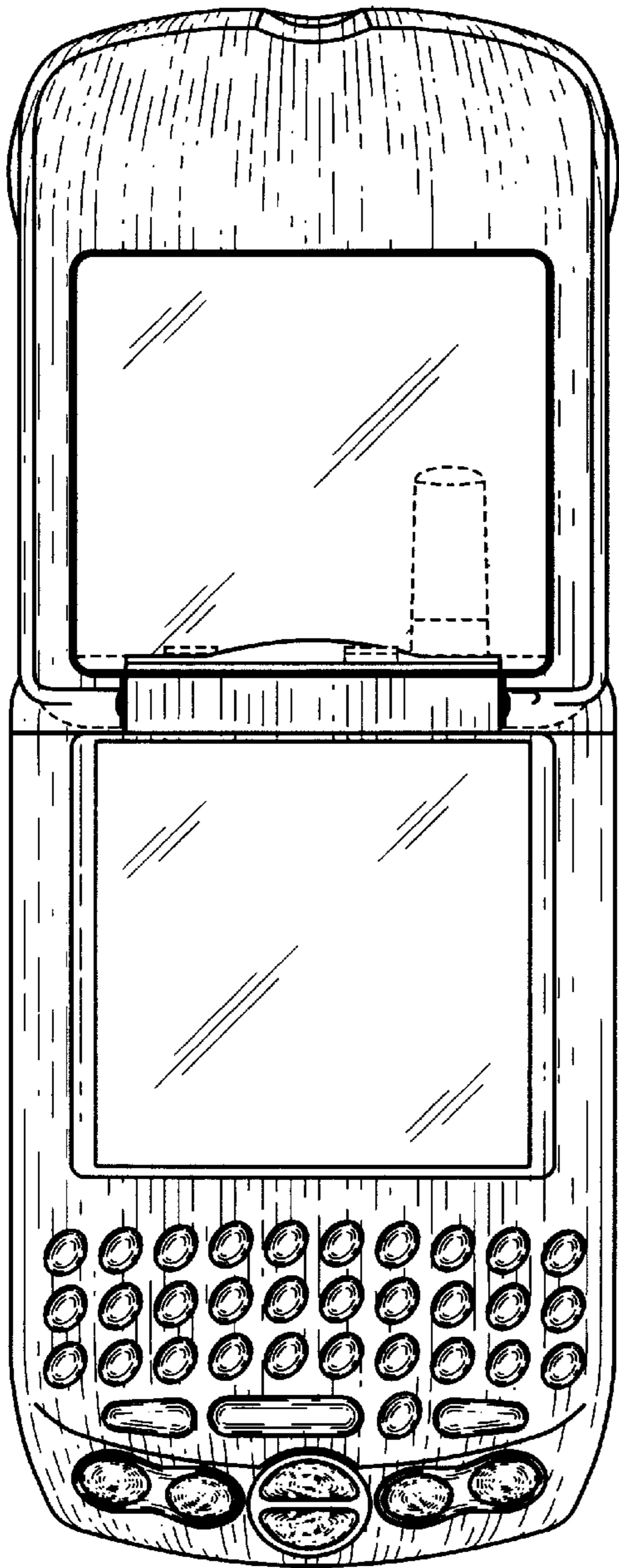
**FIG. 8**



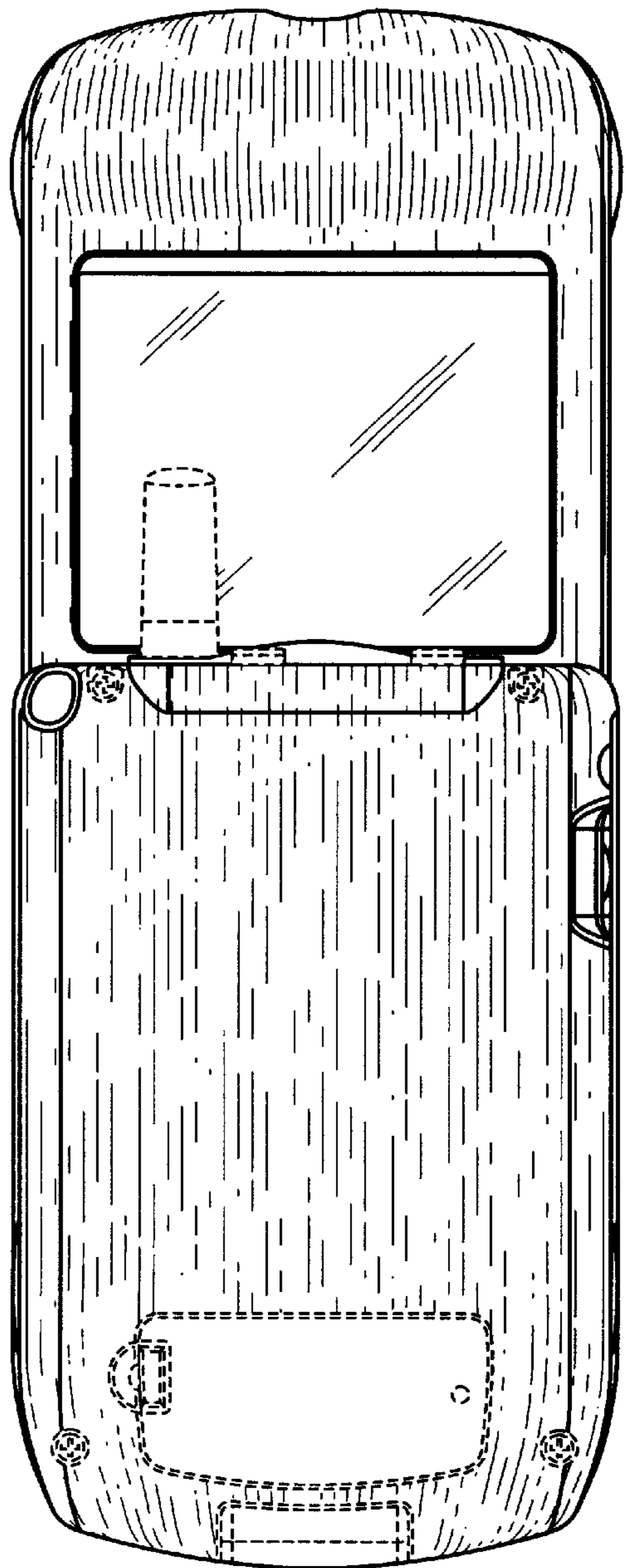
**FIG. 9**



**FIG. 10**

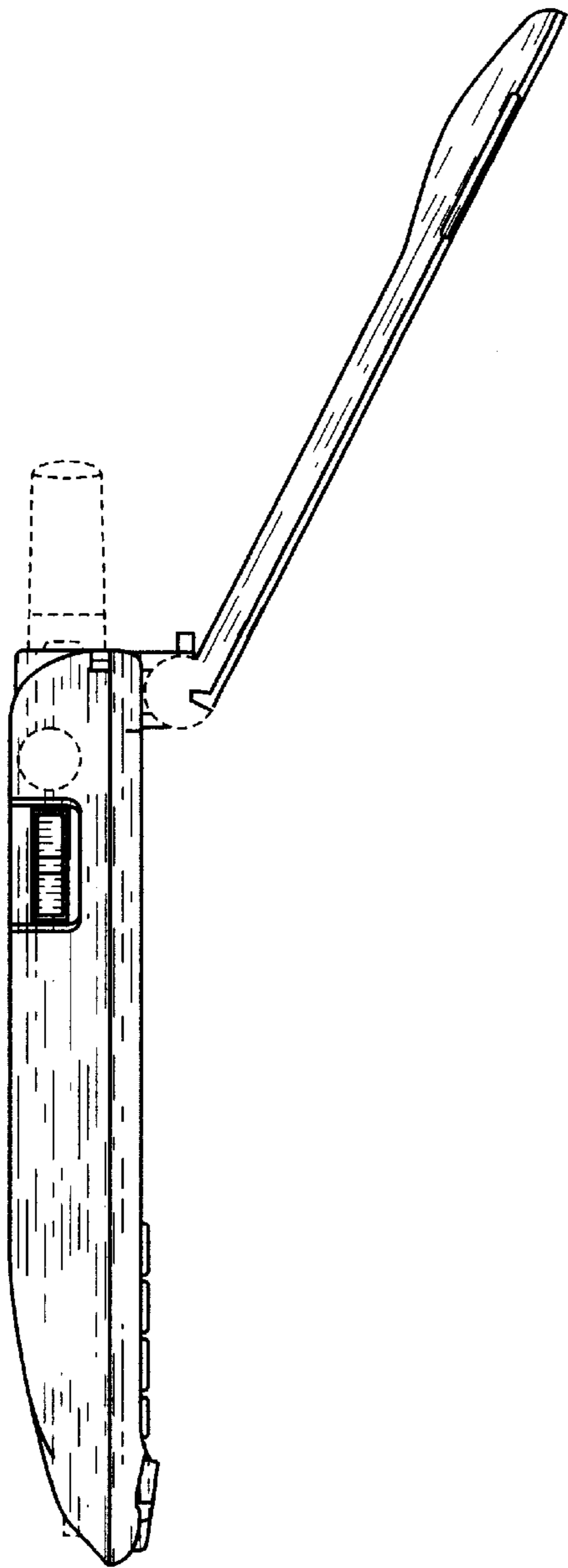


**FIG. 11**

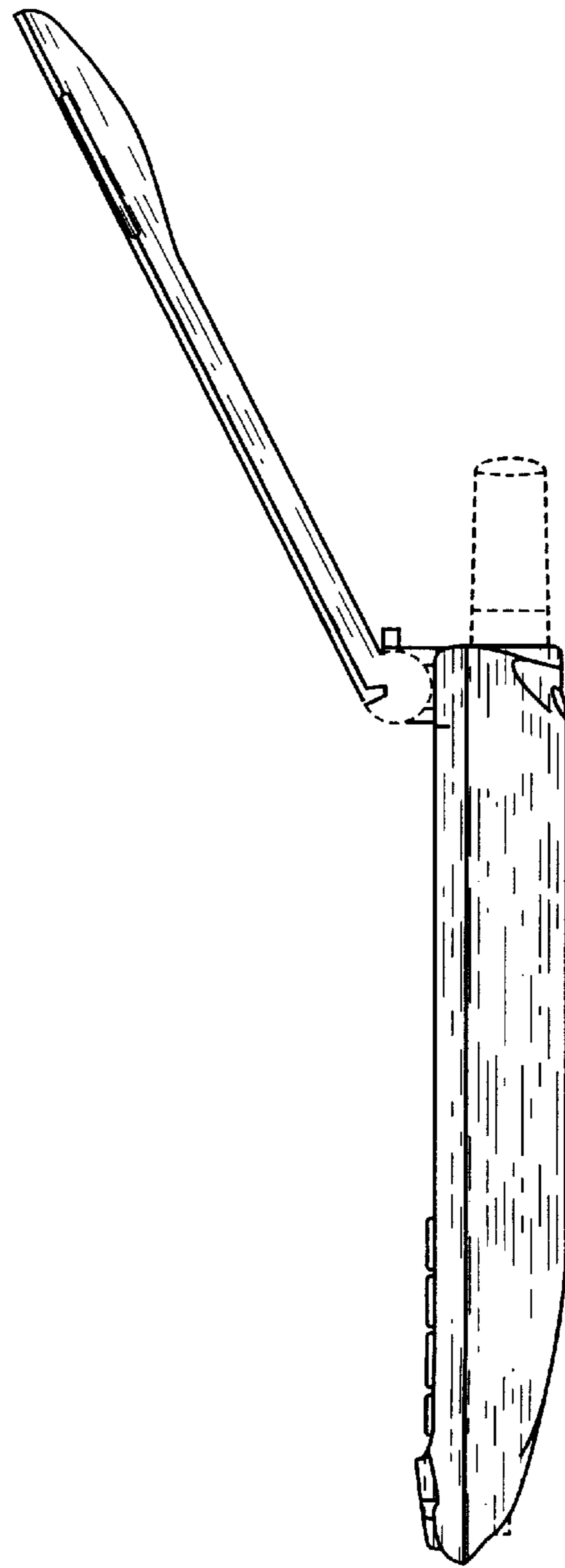


**FIG. 12**

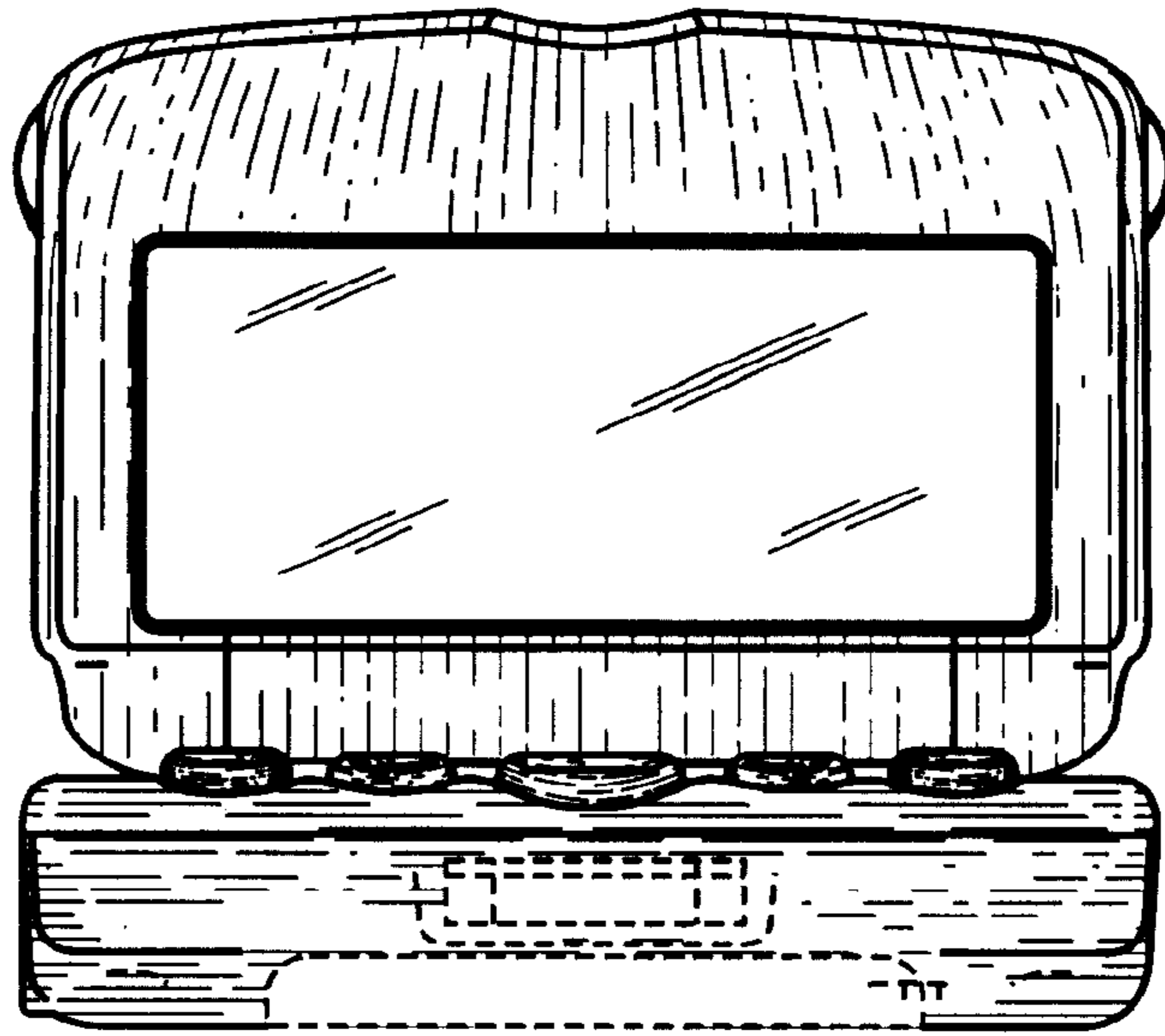




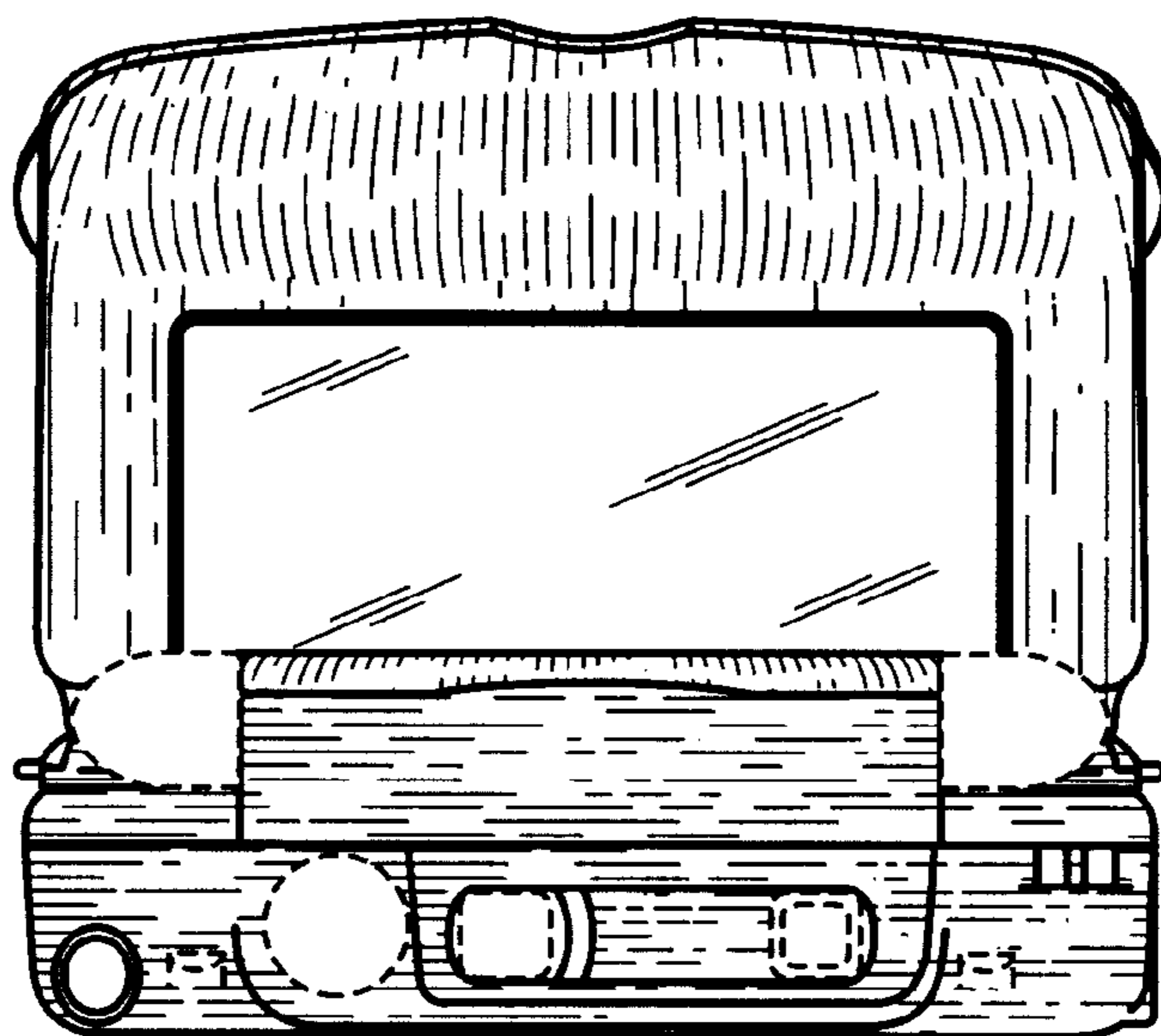
**FIG. 13**



**FIG. 14**



**FIG. 15**



**FIG. 16**