



US00D466875S

(12) **United States Design Patent**
Kita

(10) **Patent No.:** **US D466,875 S**

(45) **Date of Patent:** **** Dec. 10, 2002**

(54) **TELEVISION TUNER WITH PORTS FOR PERIPHERAL APPLIANCE**

(75) Inventor: **Toshiyuki Kita**, Osaka-fu (JP)

(73) Assignee: **Sharp Kabushiki Kaisha**, Osaka (JP)

(**) Term: **14 Years**

(21) Appl. No.: **29/148,353**

(22) Filed: **Sep. 19, 2001**

(30) **Foreign Application Priority Data**

Mar. 19, 2001 (JP) 2001-007112

(51) **LOC (7) Cl.** **14-03**

(52) **U.S. Cl.** **D14/125**

(58) **Field of Search** D14/299, 356,
D14/361-363, 365, 496, 125, 126, 135,
136, 239; 348/10, 460; 361/690-696; 312/208.1,
223.2

(56) **References Cited**

U.S. PATENT DOCUMENTS

D345,970 S * 4/1994 Kawamoto D14/239
D368,085 S 3/1996 Mittal et al.

D368,905 S 4/1996 Otani
D383,456 S 9/1997 Pierce et al.
D386,174 S 11/1997 Boyd et al.
D420,349 S * 2/2000 Storti et al. D14/125
D426,212 S 6/2000 Storti et al.
D439,569 S 3/2001 Kita

* cited by examiner

Primary Examiner—Raphael Barkai

(74) *Attorney, Agent, or Firm*—Nixon & Vanderhye

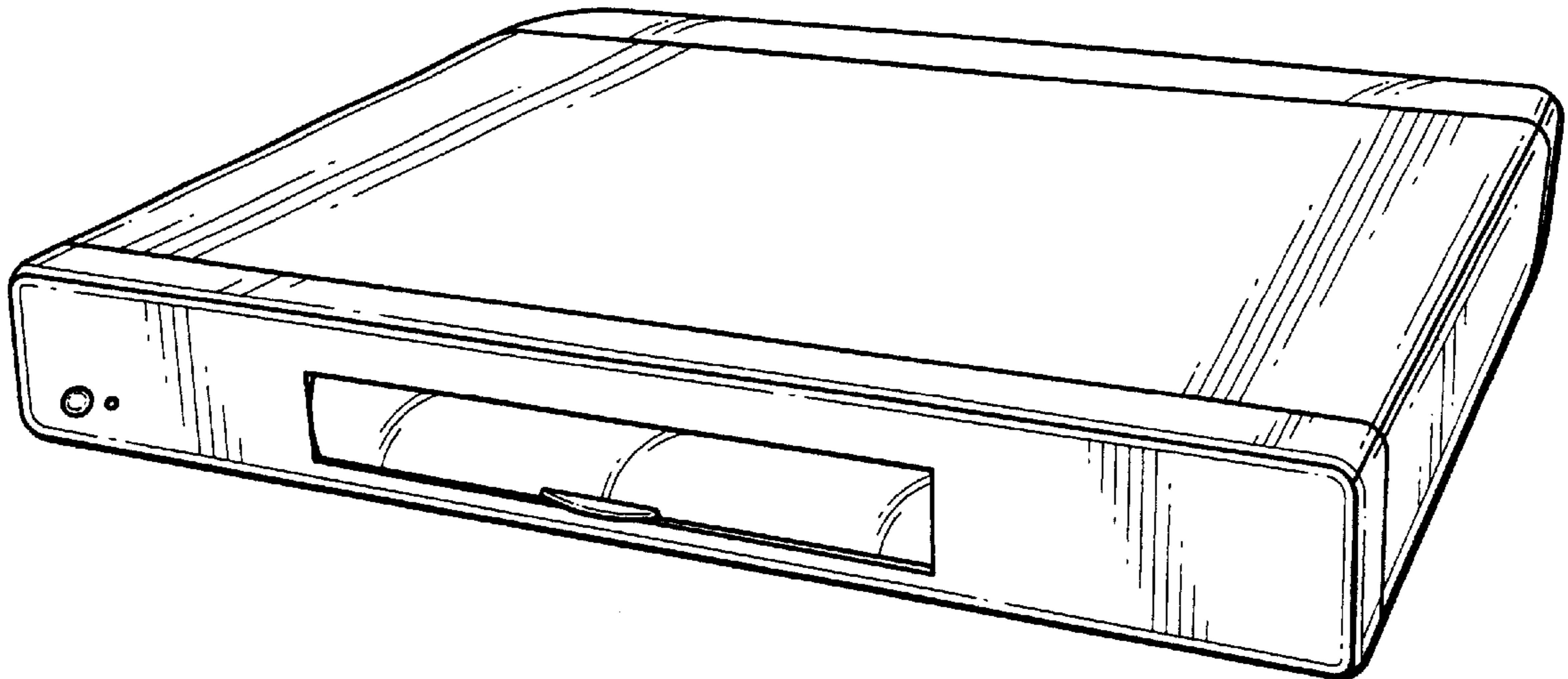
(57) **CLAIM**

The ornamental design for a “television tuner with ports for peripheral appliance”, as shown and described.

DESCRIPTION

FIG. 1 is a top, front and right side perspective view of a television tuner with ports for a peripheral appliance according to my design;
FIG. 2 is a front elevational view thereof;
FIG. 3 is a rear elevational view thereof;
FIG. 4 is a top plan view thereof;
FIG. 5 is a bottom plan view thereof; and,
FIG. 6 is a right side elevational view thereof, the left side elevation being a mirror image thereof.

1 Claim, 4 Drawing Sheets



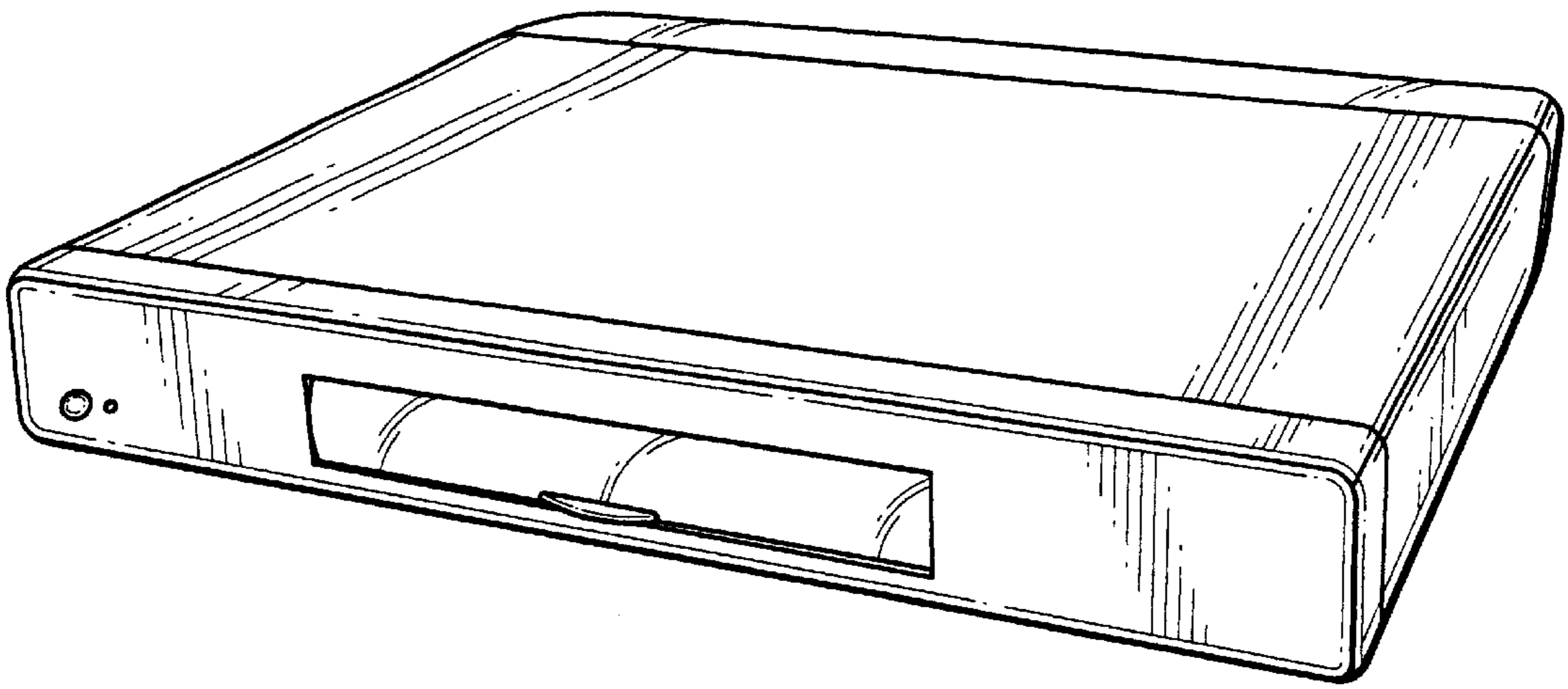


Fig. 1

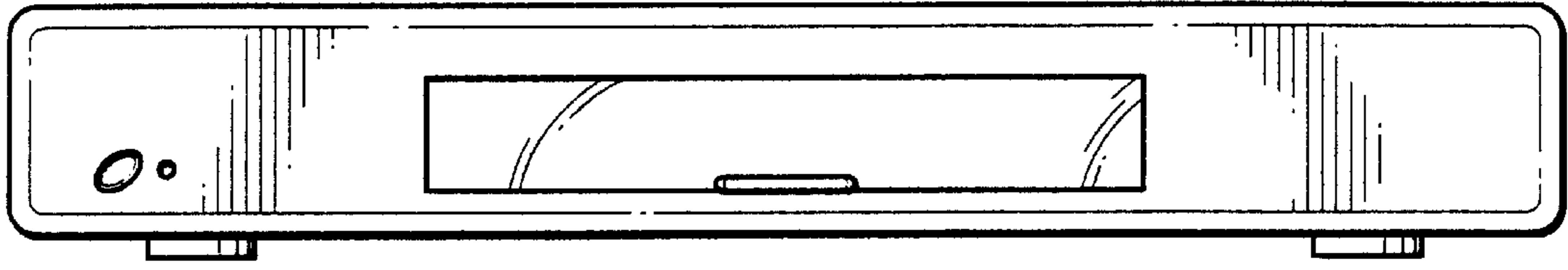


Fig. 2

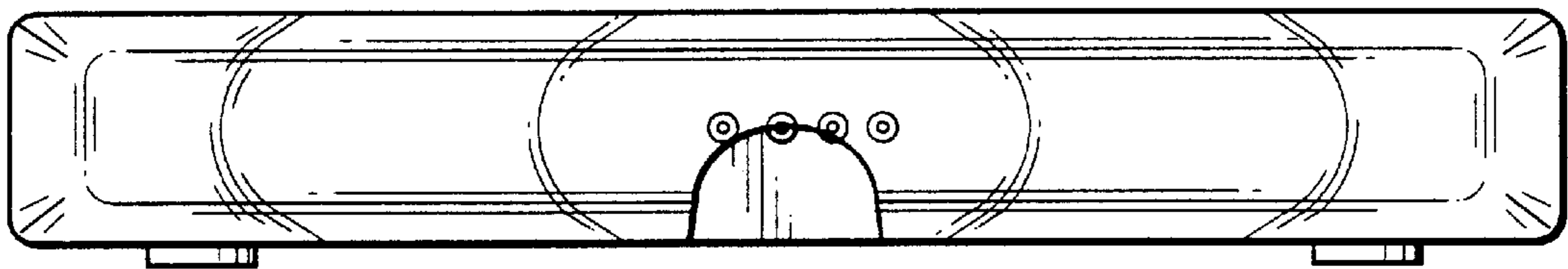


Fig. 3

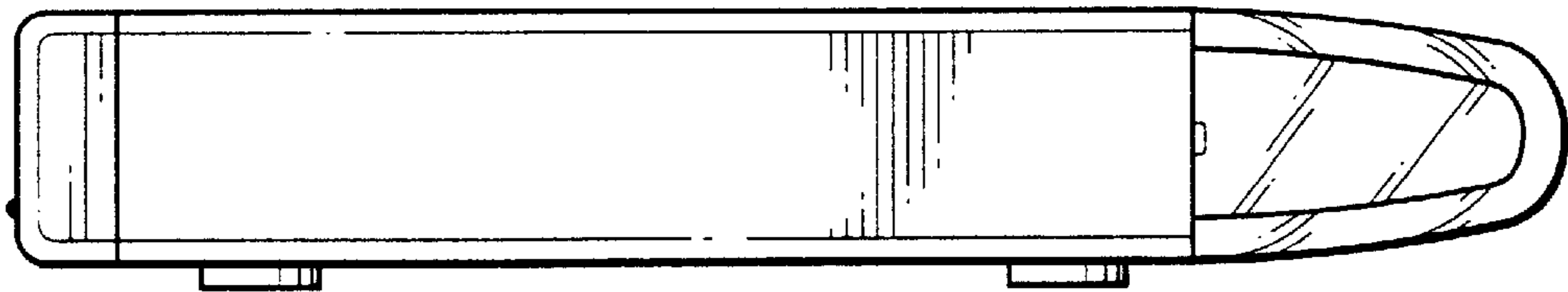


Fig. 6

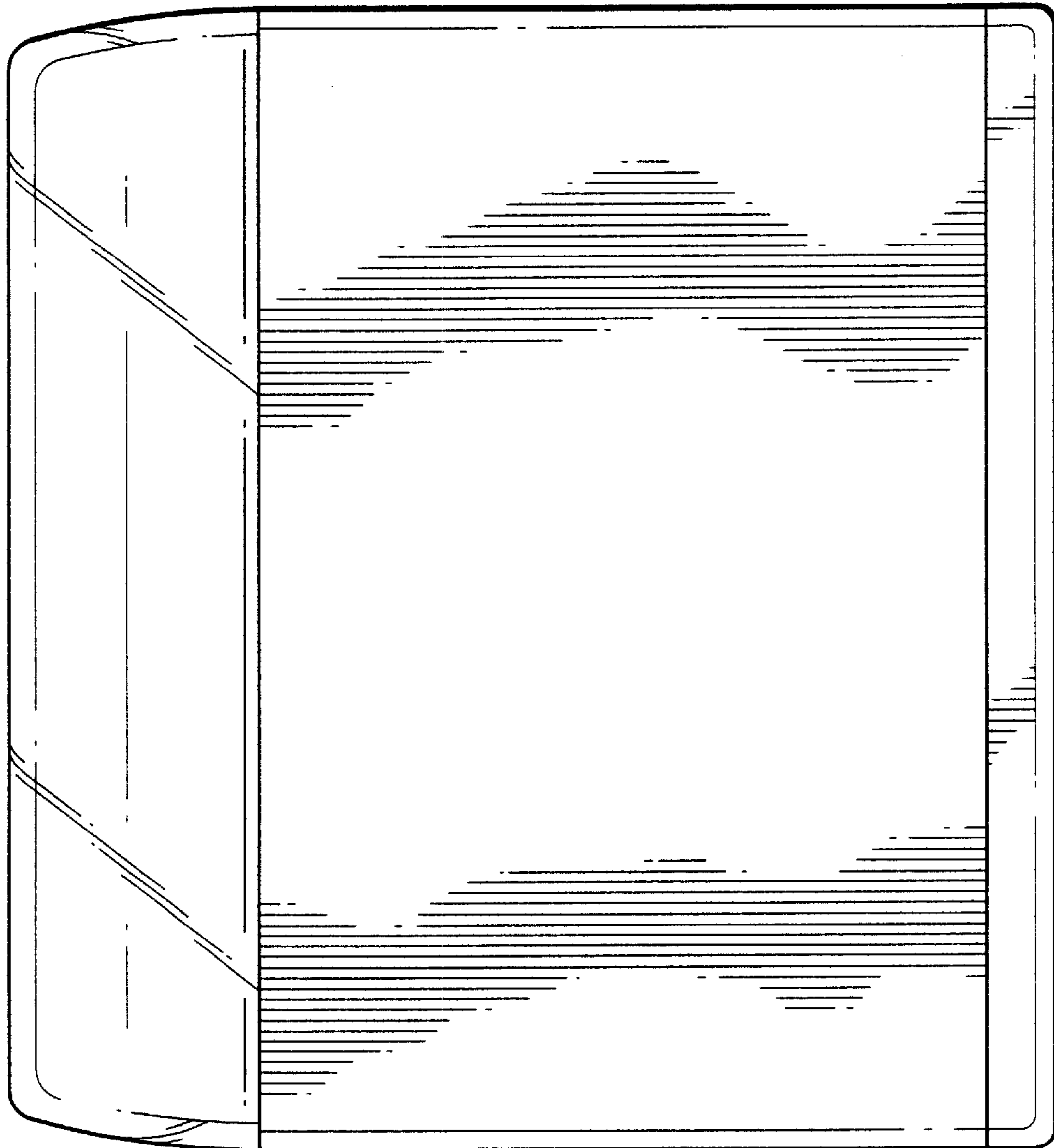


Fig. 4

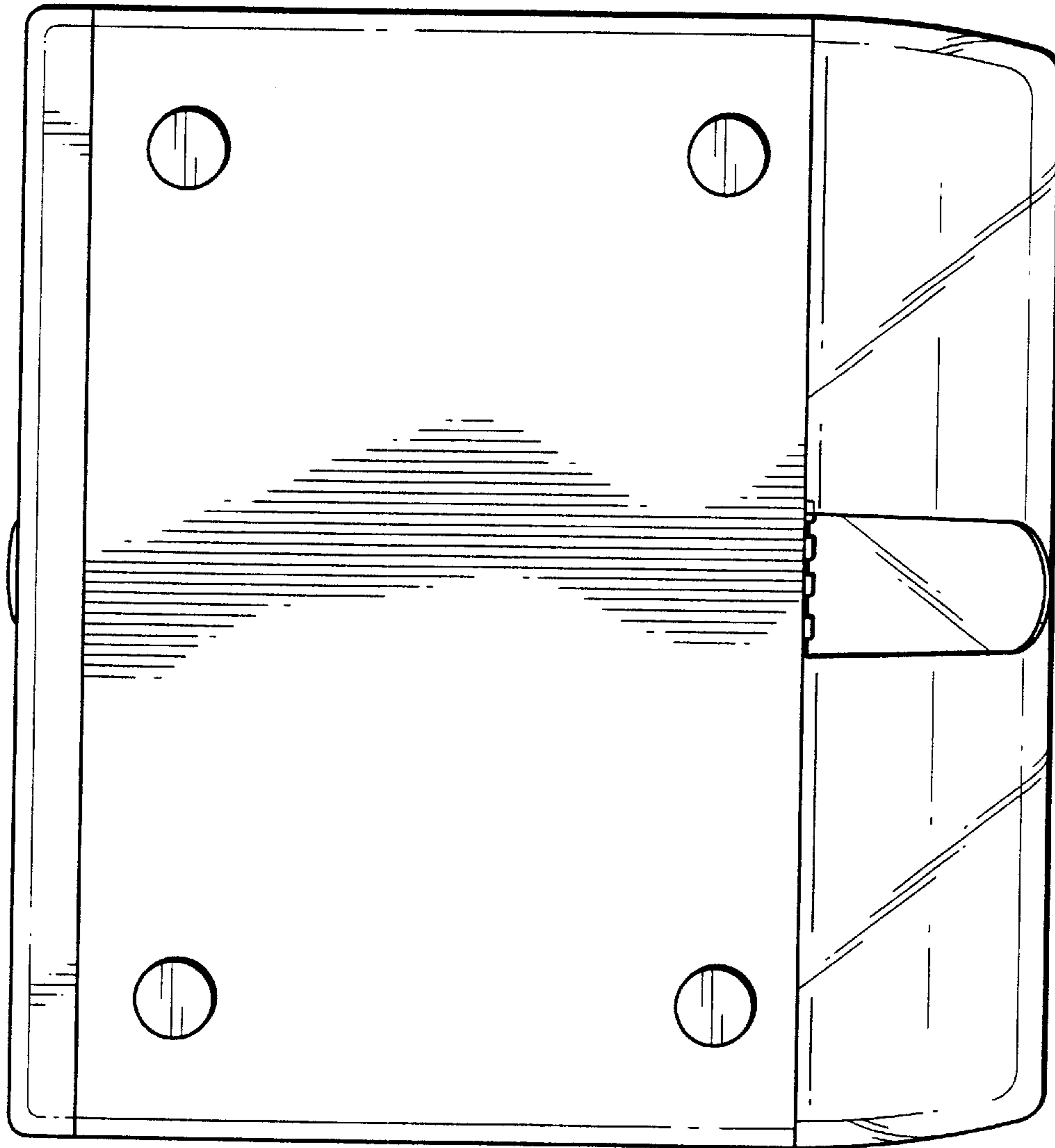


Fig. 5