



US00D466872S

(12) **United States Design Patent**
Matsumoto et al.

(10) **Patent No.:** **US D466,872 S**

(45) **Date of Patent:** **** Dec. 10, 2002**

(54) **CARTRIDGE**

(75) Inventors: **Shigeo Matsumoto**, Tokyo (JP);
Yasushi Fujita, Tokyo (JP); **Hitoshi Ito**, Tokyo (JP); **Yuji Himeno**, Fukuoka (JP)

(73) Assignee: **Sony Corporation**, Tokyo (JP)

(**) Term: **14 Years**

(21) Appl. No.: **29/144,457**

(22) Filed: **Jul. 5, 2001**

(51) **LOC (7) Cl.** **13-03**

(52) **U.S. Cl.** **D13/182**

(58) **Field of Search** D13/105, 107,
D13/114, 117, 182; D14/435, 436, 437,
479, 480; 174/52.1; 361/679, 728, 736,
737, 742, 752, 820; 439/328, 377; 257/678,
679; 206/710, 711, 832

(56) **References Cited**

U.S. PATENT DOCUMENTS

D421,597 S 3/2000 Oba et al.
D421,967 S 3/2000 Oba et al.
D427,159 S 6/2000 Oba

6,097,605 A * 8/2000 Klatt et al. 361/737
D432,505 S 10/2000 Oba et al.
D446,525 S * 8/2001 Okamoto et al. D14/436
6,295,206 B1 * 9/2001 Kondo et al. 361/736
6,333,854 B1 * 12/2001 Sasaoka et al. 361/737
D457,887 S * 5/2002 Kadonaga D14/436

* cited by examiner

Primary Examiner—Ted Shooman

Assistant Examiner—Selina Sikder

(74) *Attorney, Agent, or Firm*—Rader, Fishman & Grauer PLLC

(57) **CLAIM**

The ornamental design for a cartridge, as shown and described.

DESCRIPTION

FIG. 1 is a perspective view of a cartridge showing our new design;

FIG. 2 is a front elevational view thereof;

FIG. 3 is a rear elevational view thereof;

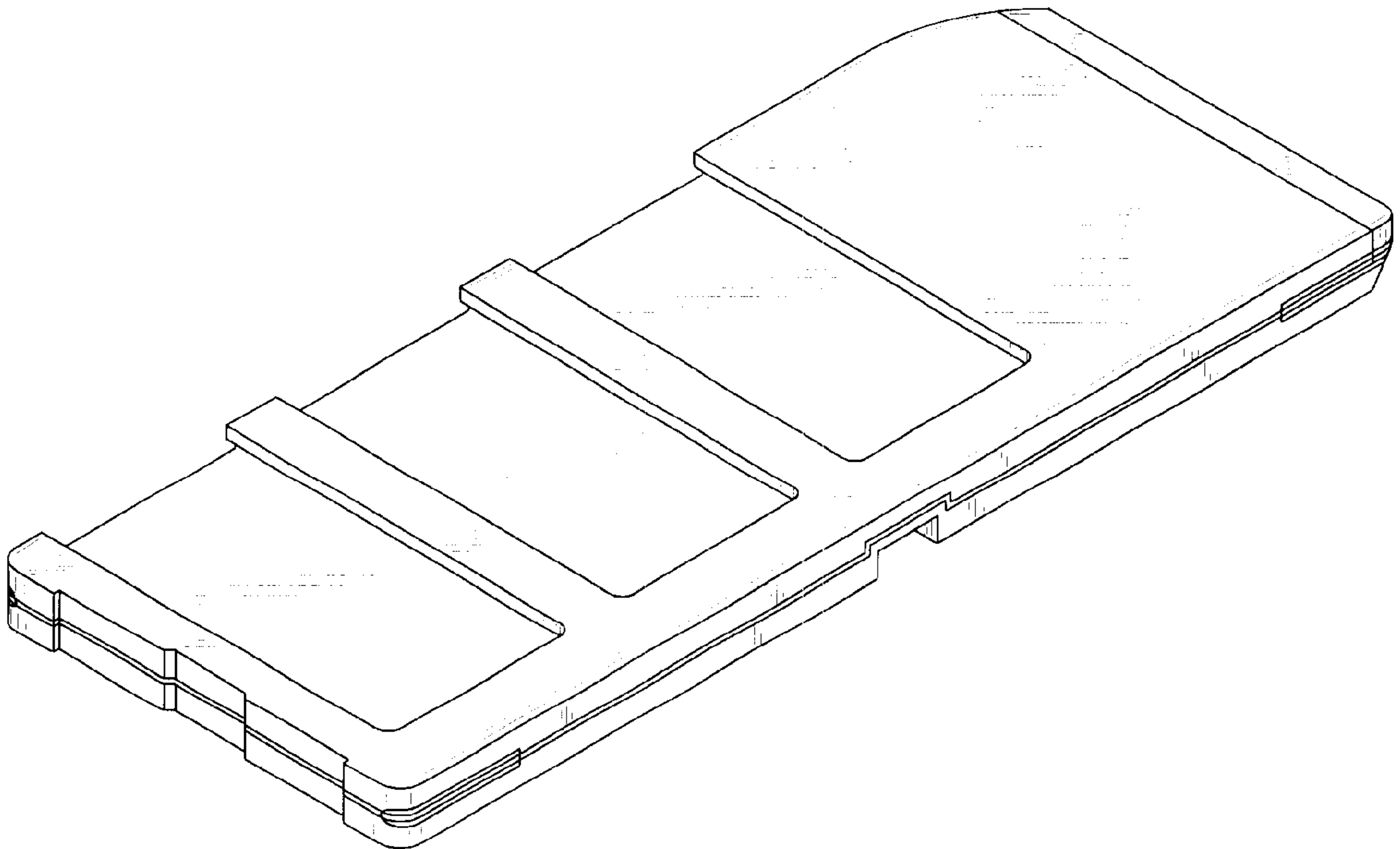
FIG. 4 is a left side elevational view thereof;

FIG. 5 is a right side elevational view thereof;

FIG. 6 is a top plan view thereof; and,

FIG. 7 is a bottom plan view thereof.

1 Claim, 4 Drawing Sheets



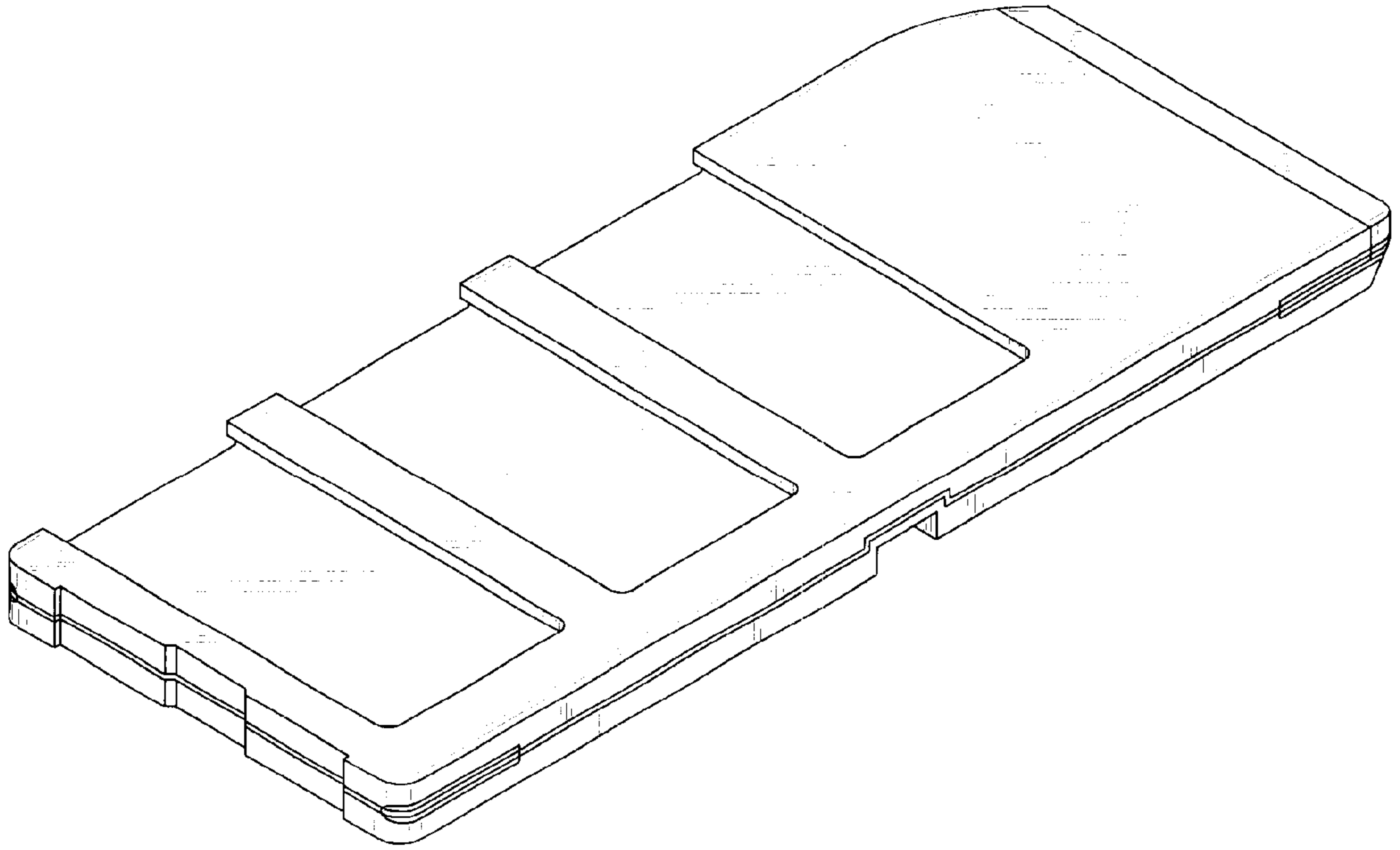


Fig. 1

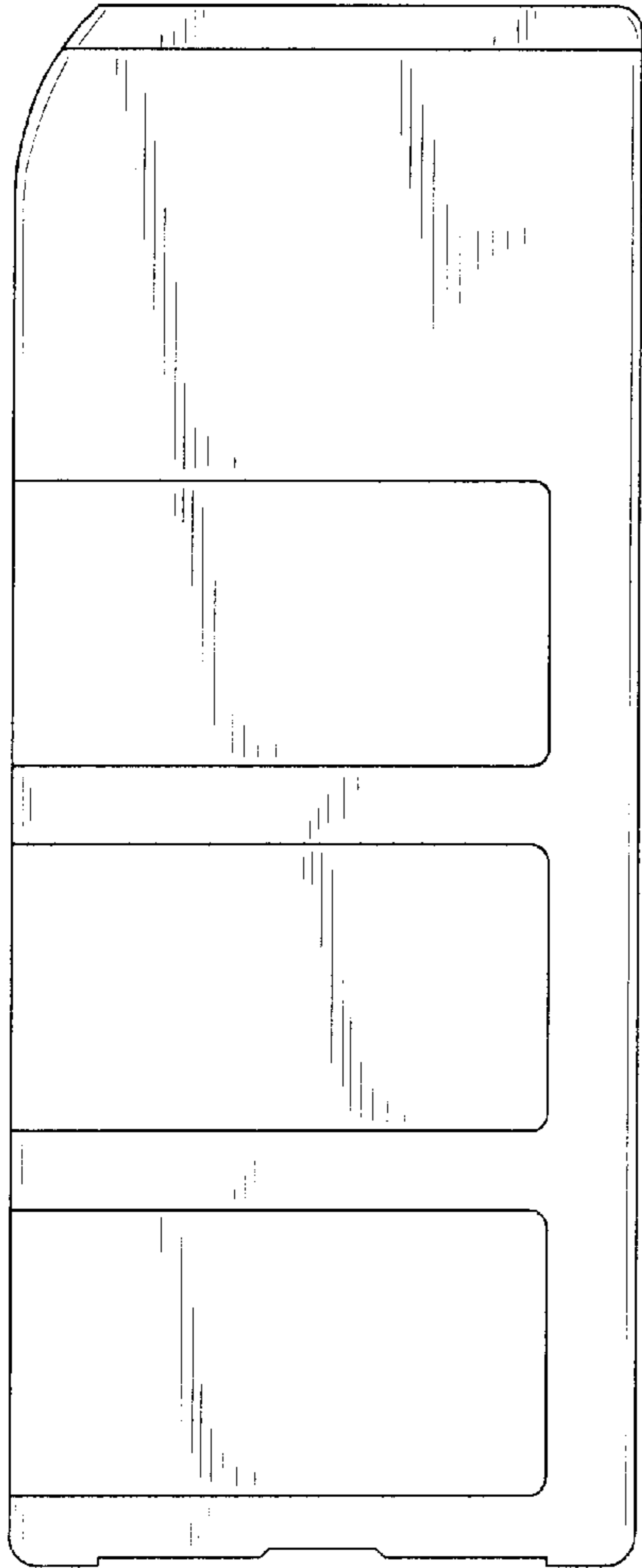


Fig. 2

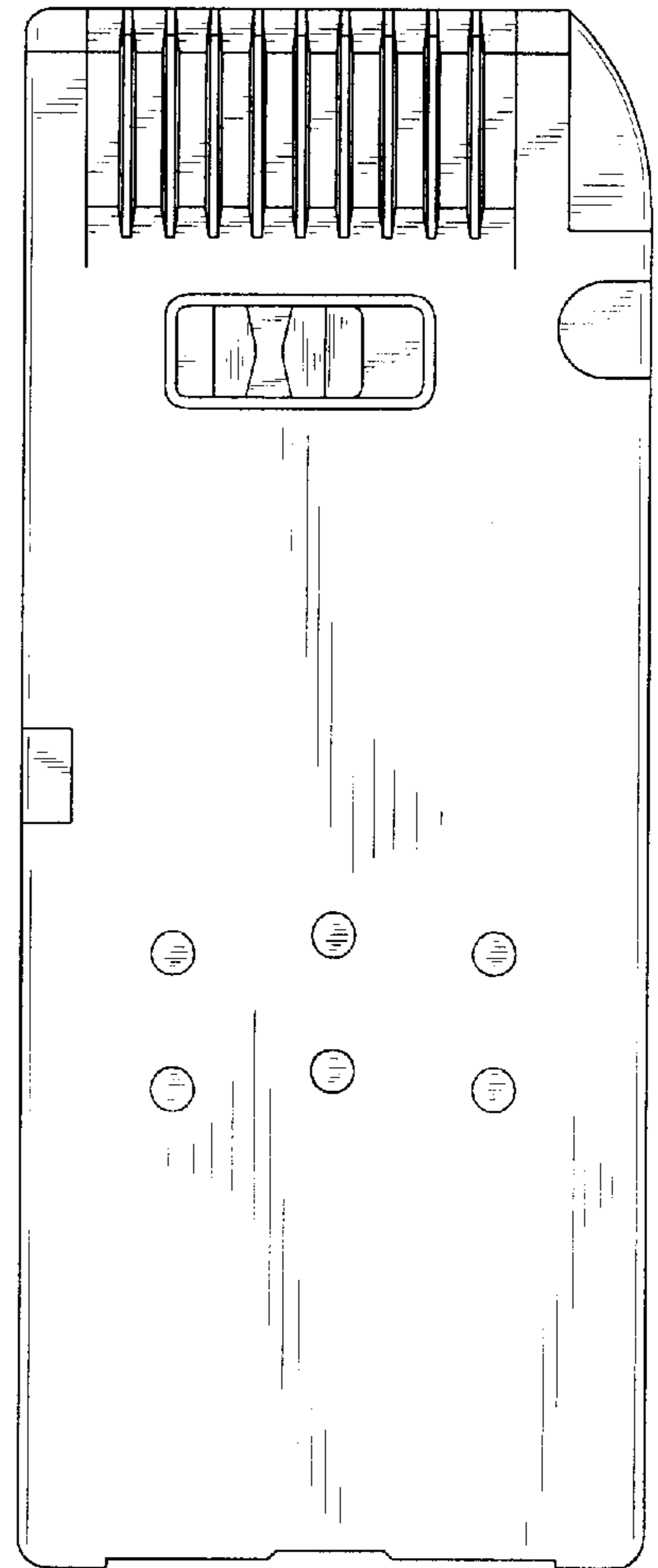


Fig. 3

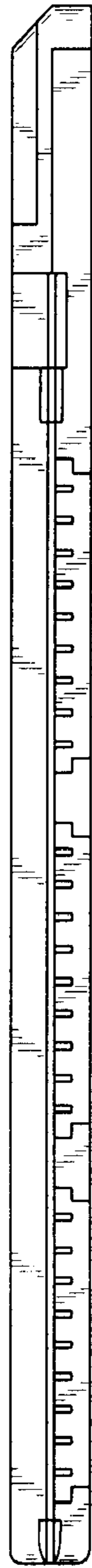


Fig. 4

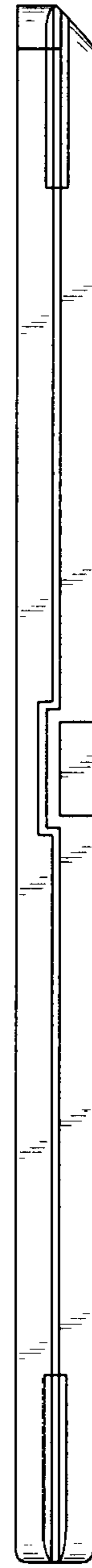


Fig. 5



Fig. 6



Fig. 7