



US00D466871S

(12) **United States Design Patent** (10) **Patent No.:** **US D466,871 S**
Lee (45) **Date of Patent:** **** Dec. 10, 2002**

(54) **RADIATOR FOR HEAT GENERATING COMPONENTS IN ELECTRONIC EQUIPMENT**

Primary Examiner—Ted Shooman
Assistant Examiner—Selina Sikder
(74) *Attorney, Agent, or Firm*—Leydig Voit & Mayer, LTD

(75) **Inventor:** Sang-cheol Lee, Kunpo (KR)

(57) **CLAIM**

(73) **Assignee:** Zalman Tech Co., Ltd, Kyungki-do (KR)

I claim the ornamental design for a radiator for heat generating components in electronic equipment, as shown and described.

(**) **Term:** 14 Years

(21) **Appl. No.:** 29/143,009

DESCRIPTION

(22) **Filed:** Jun. 7, 2001

(30) **Foreign Application Priority Data**

Dec. 12, 2000 (KR) 2000-31737

(51) **LOC (7) Cl.** 13-03

(52) **U.S. Cl.** D13/179

(58) **Field of Search** D13/179; 165/80.3, 165/180, 185; 174/16.3, 706, 707, 718, 719, 720, 721, 722, 727, 686; 361/271, 274.3, 697, 702, 704, 709, 710, 711

FIG. 1 is a perspective view of a radiator for heat generating components in electronic equipment according to the present invention.

FIG. 2 is a front view of a radiator for heat generating components in electronic equipment according to the present invention, the rear view being a mirror image thereof;

FIG. 3 is a right side view of a radiator for heat generating components in electronic equipment according to the present invention, the left side view being a mirror image thereof;

FIG. 4 is a top plan view of a radiator for heat generating components in electronic equipment according to the present invention.

FIG. 5 is a bottom plan view of a radiator for heat generating components in electronic equipment according to the present invention; and,

FIG. 6 is an exploded view showing the environment in which the design is used.

The broken line showing of the environment is for illustrative purpose only and forms not part of the claimed design.

(56) **References Cited**

U.S. PATENT DOCUMENTS

3,566,958	A	*	3/1971	Zelina	165/80.3
4,715,438	A	*	12/1987	Gabuzda et al.	165/185
5,943,209	A	*	8/1999	Liu	361/695
6,152,214	A	*	11/2000	Wagner	165/121
6,289,975	B2	*	9/2001	Kuo	165/80.3
6,330,908	B1	*	12/2001	Lee et al.	165/185
6,336,499	B1	*	1/2002	Liu		

* cited by examiner

1 Claim, 4 Drawing Sheets

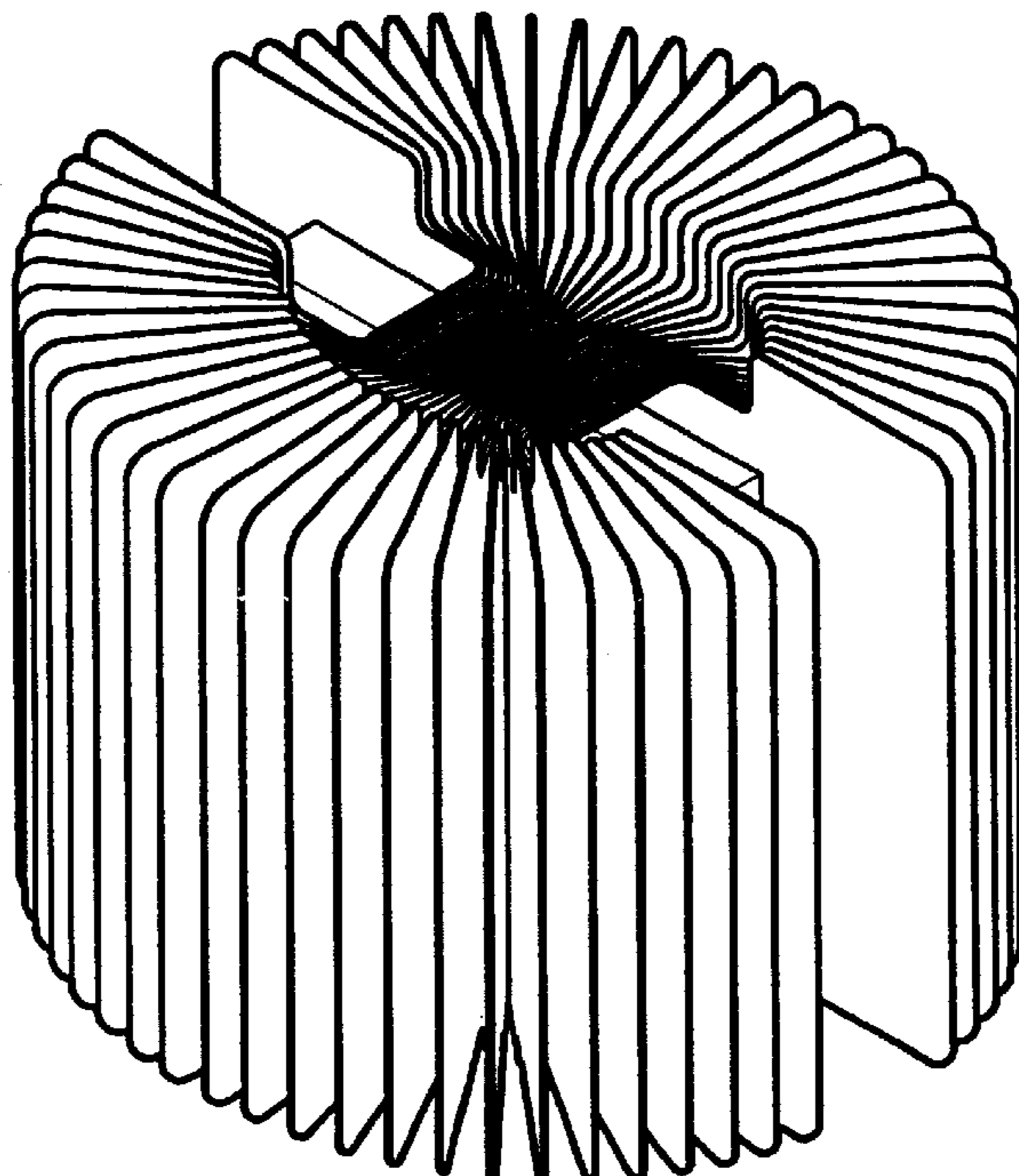


FIG. 1

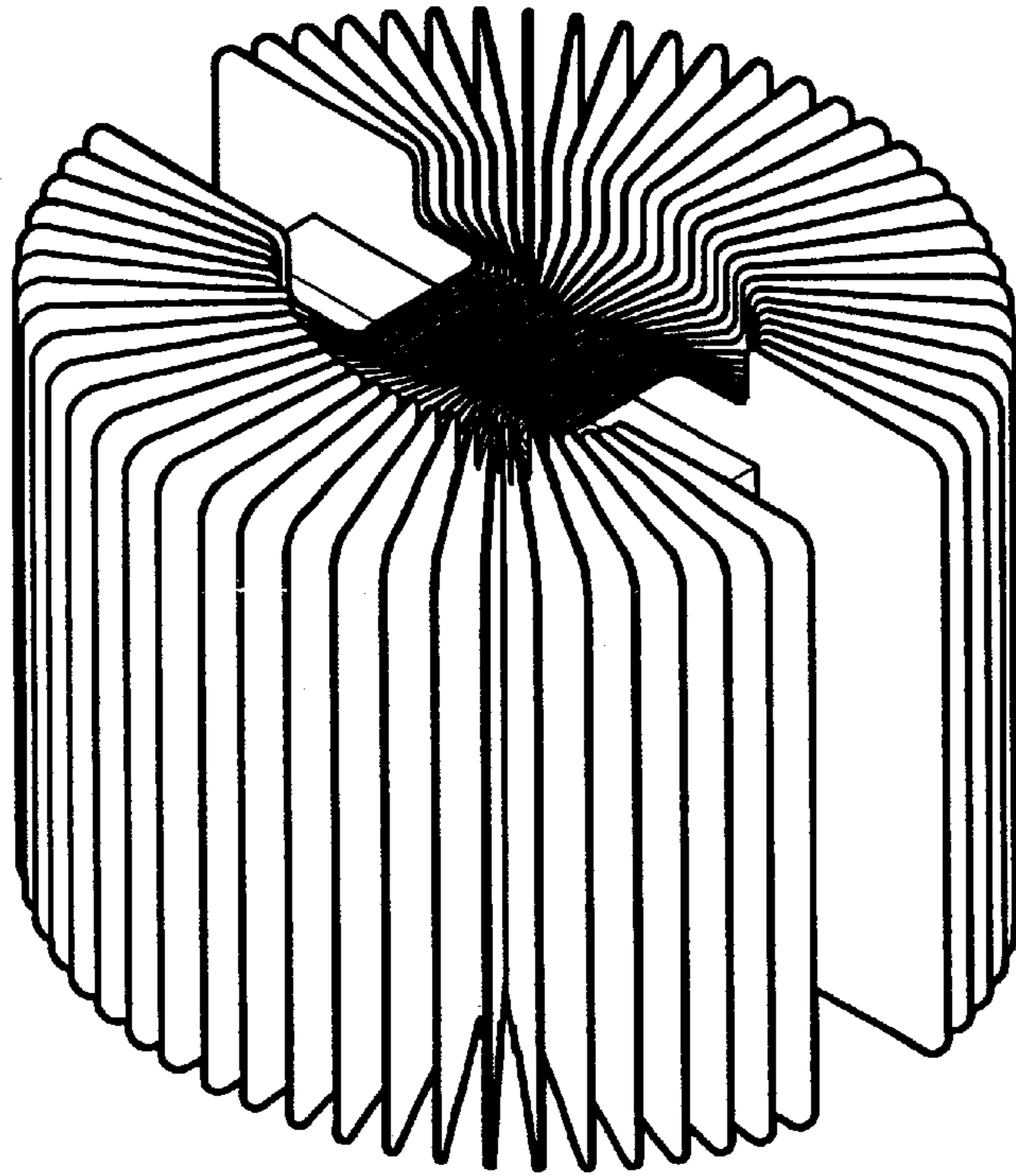


FIG. 2

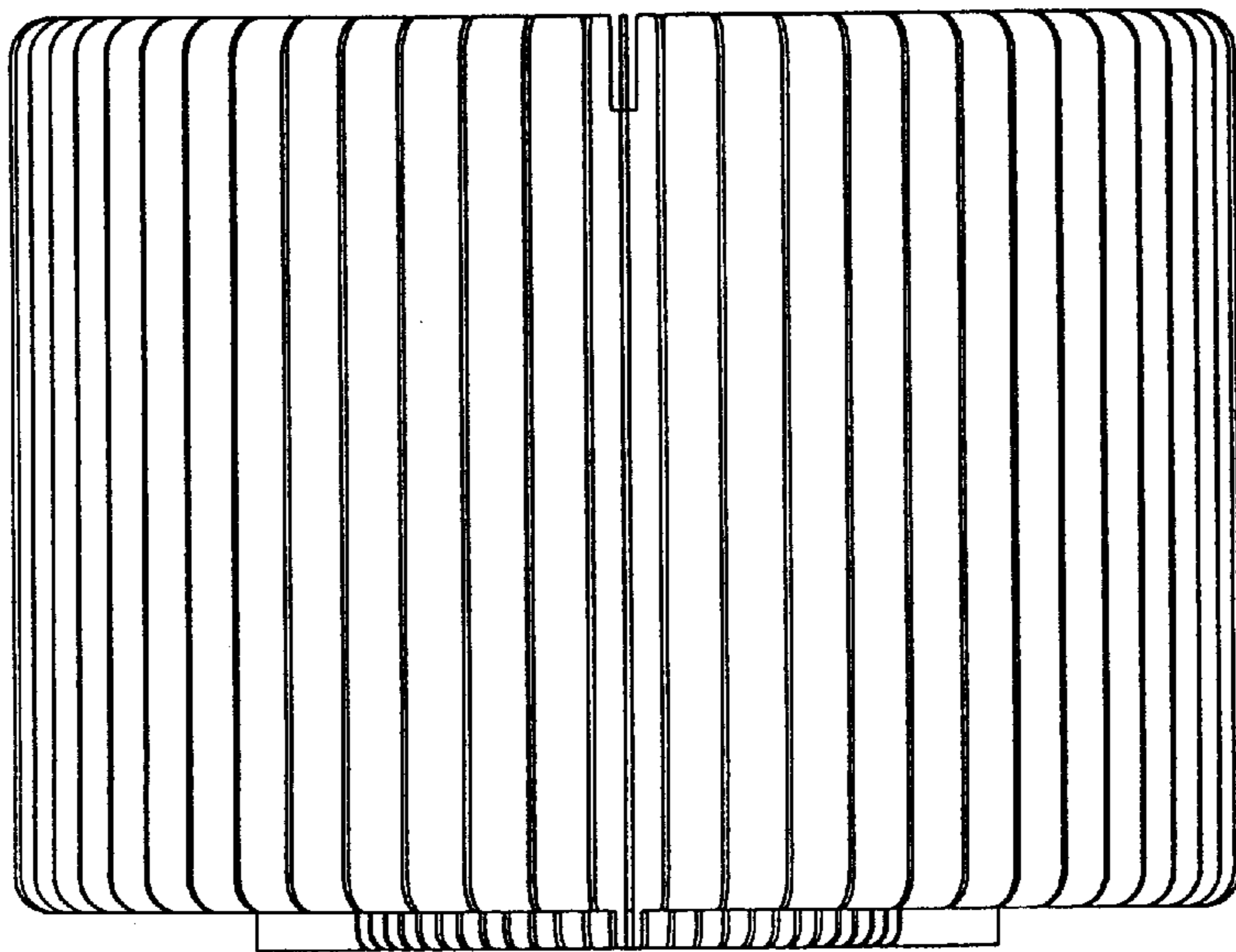


FIG. 3

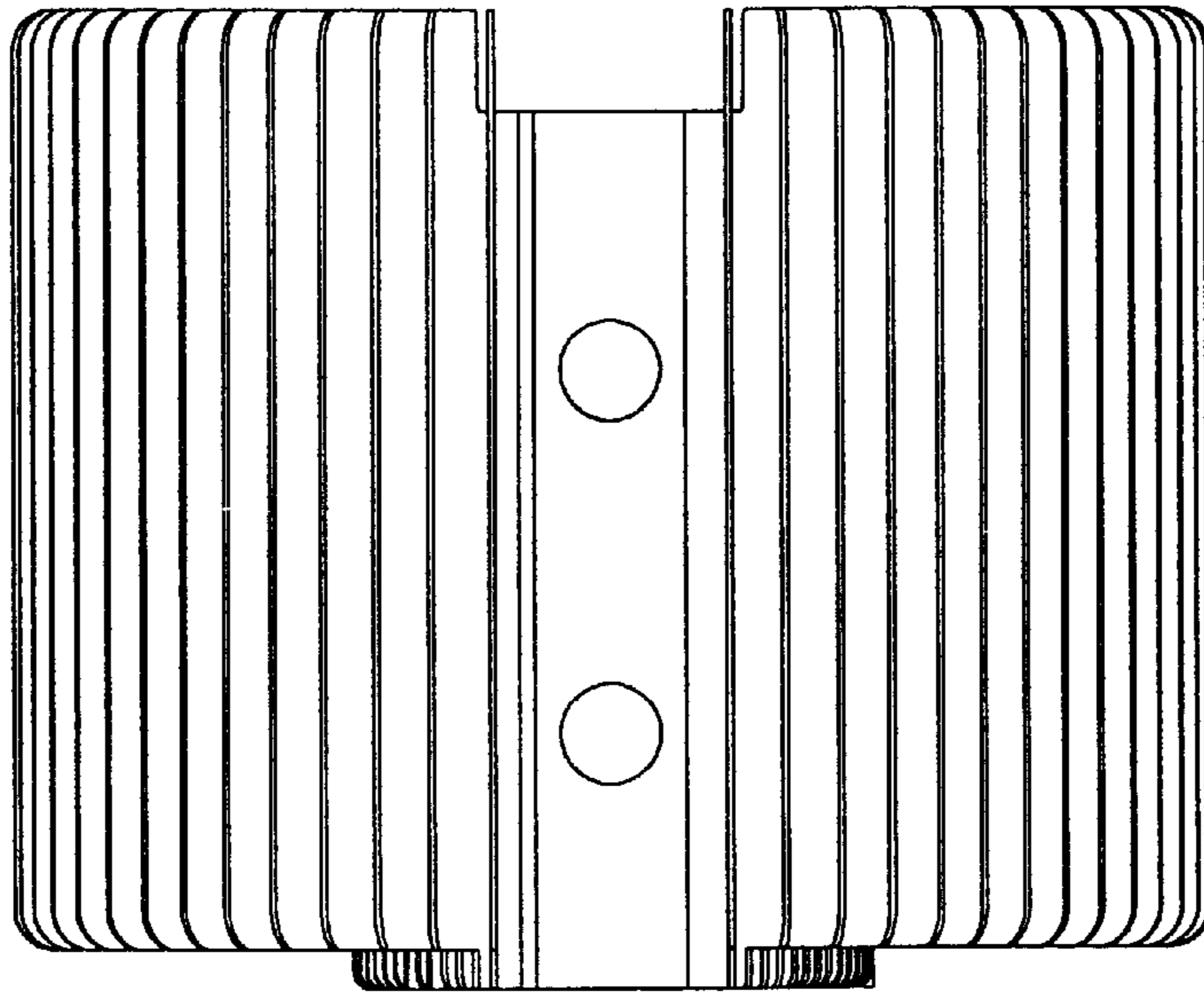


FIG. 4

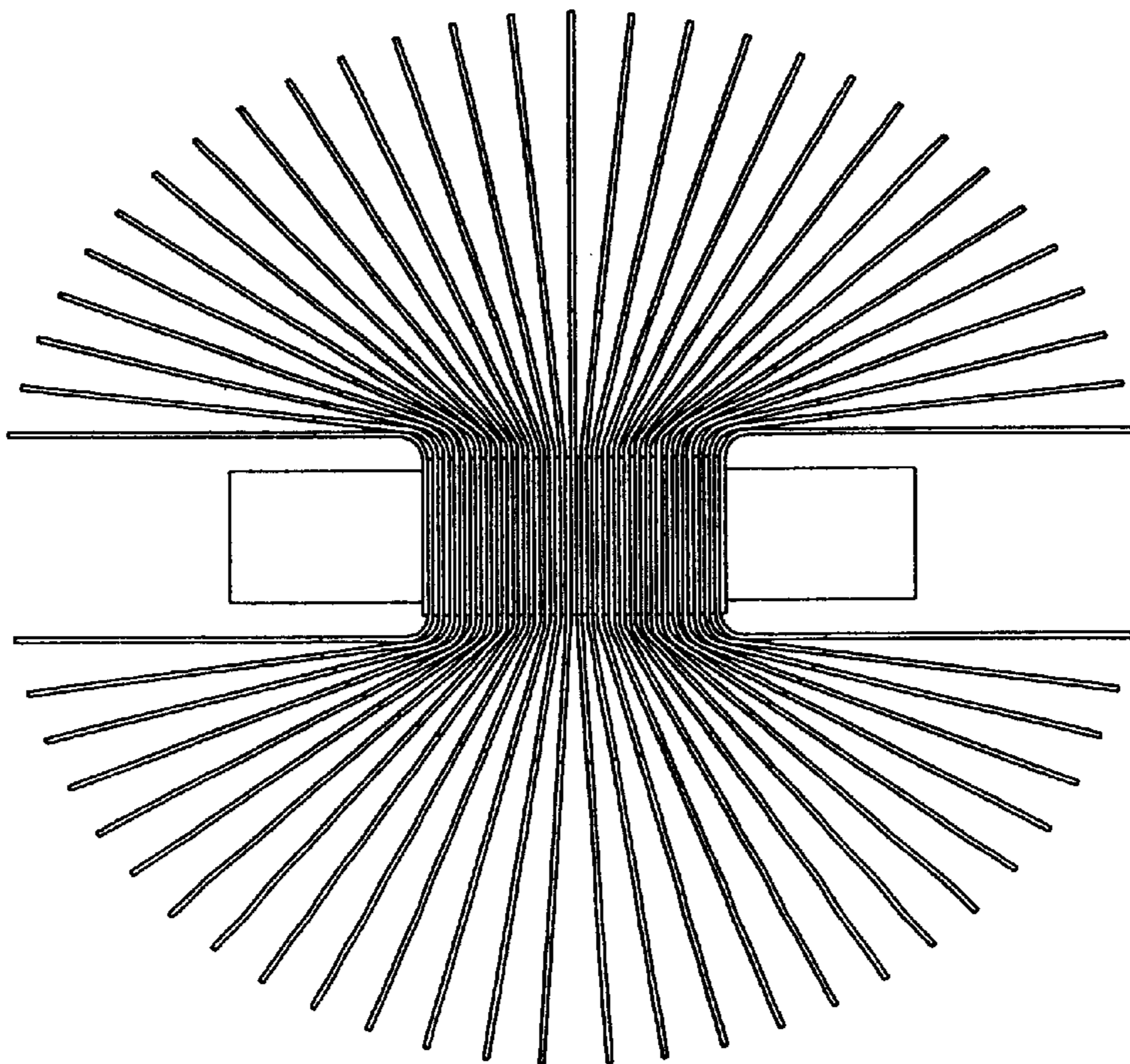


FIG. 5

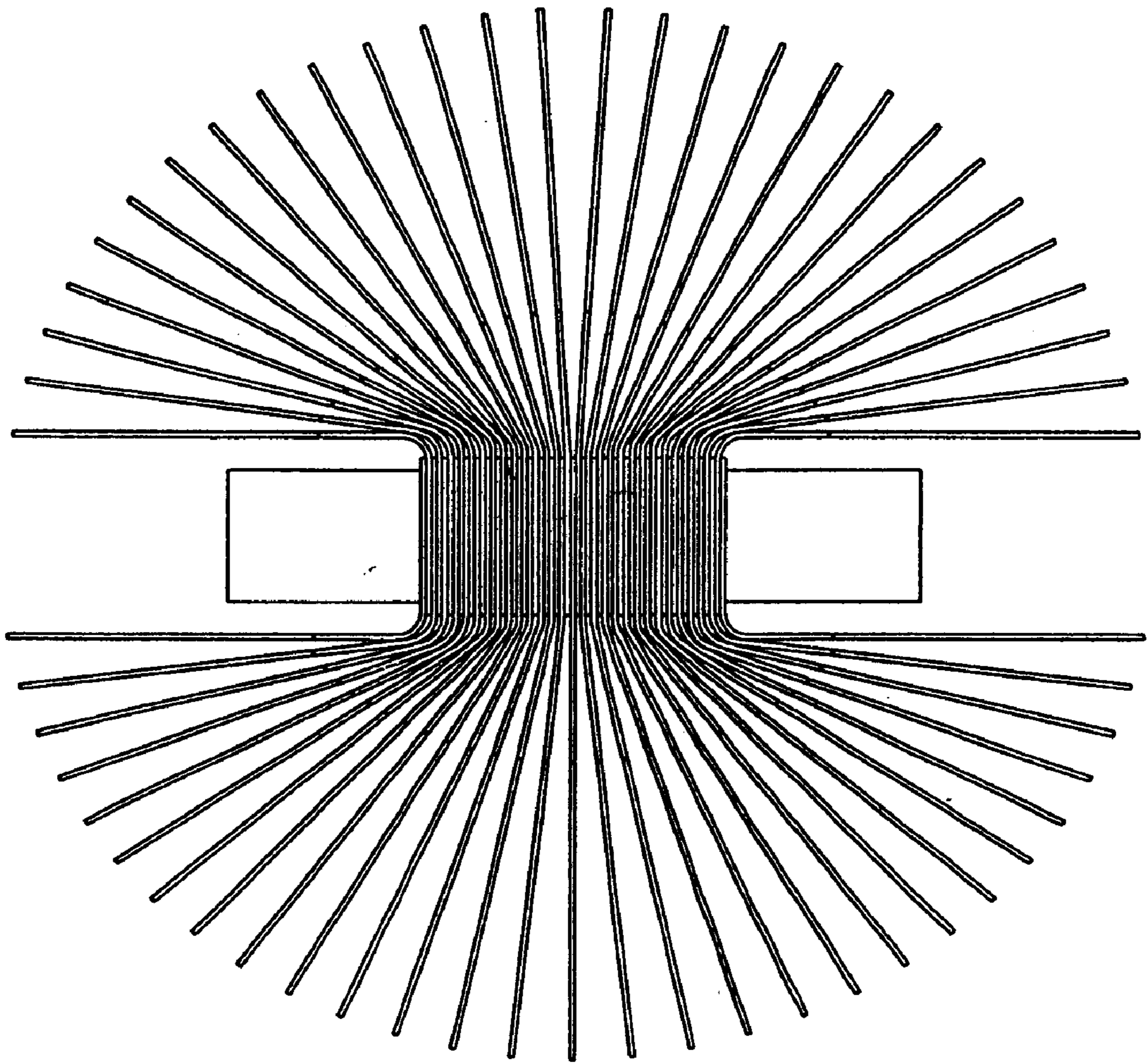


FIG. 6

