



US00D466870S

(12) **United States Design Patent**
Elliott

(10) **Patent No.:** **US D466,870 S**

(45) **Date of Patent:** **** Dec. 10, 2002**

(54) **LIGHT SWITCH COVER**

D450,663 S * 11/2001 Smith D13/177

(76) Inventor: **Roberto H. Elliott**, 215 65th St., San Diego, CA (US) 92114

(**) Term: **14 Years**

(21) Appl. No.: **29/147,696**

(22) Filed: **Aug. 30, 2001**

(51) **LOC (7) Cl.** **13-03**

(52) **U.S. Cl.** **D13/177**

(58) **Field of Search** D8/350, 353; D13/156, D13/177, 173; 174/48, 67; 200/43.19, 242, 304; 220/242; 439/135, 142, 144, 147, 373

(56) **References Cited**

U.S. PATENT DOCUMENTS

4,102,471	A	*	7/1978	Lore et al.	220/242
4,105,274	A	*	8/1978	Casey	439/368
4,363,944	A	*	12/1982	Poirier	200/43.19
4,506,120	A	*	3/1985	Fleischman	200/43.19
4,643,502	A	*	2/1987	Arnold	439/144
D301,336	S	*	5/1989	Copeland	D13/177
D301,872	S	*	6/1989	Copeland	D13/177
5,060,107	A	*	10/1991	Castonguay	361/115
D351,376	S	*	10/1994	Hughes	D13/177
D372,224	S	*	7/1996	deceased et al.	D13/173
D408,018	S	*	4/1999	McNaughton	D13/177

OTHER PUBLICATIONS

Sexauer, vol. 15, No. 2 (1996) p. 10.

* cited by examiner

Primary Examiner—Ted Shooman

Assistant Examiner—Selina Sikder

(74) *Attorney, Agent, or Firm*—Howard J. Klein

(57) **CLAIM**

The ornamental design of a light switch cover, as shown and described.

DESCRIPTION

FIG. 1 is a perspective view, taken from the front, of a light switch cover in accordance with my new design;

FIG. 2 is a front elevational view of the light switch cover of FIG. 1;

FIG. 3 is a top plan view of the light switch cover of FIG. 1, the bottom plan view being thereto;

FIG. 4 is a side elevational view taken from the left side of FIG. 2, the right side elevational view being a mirror image thereto; and,

FIG. 5 is a rear elevational view of the light switch cover of FIG. 1.

The broken line showing of the environment is for illustrative purpose only and forms no part of the claimed design.

1 Claim, 1 Drawing Sheet

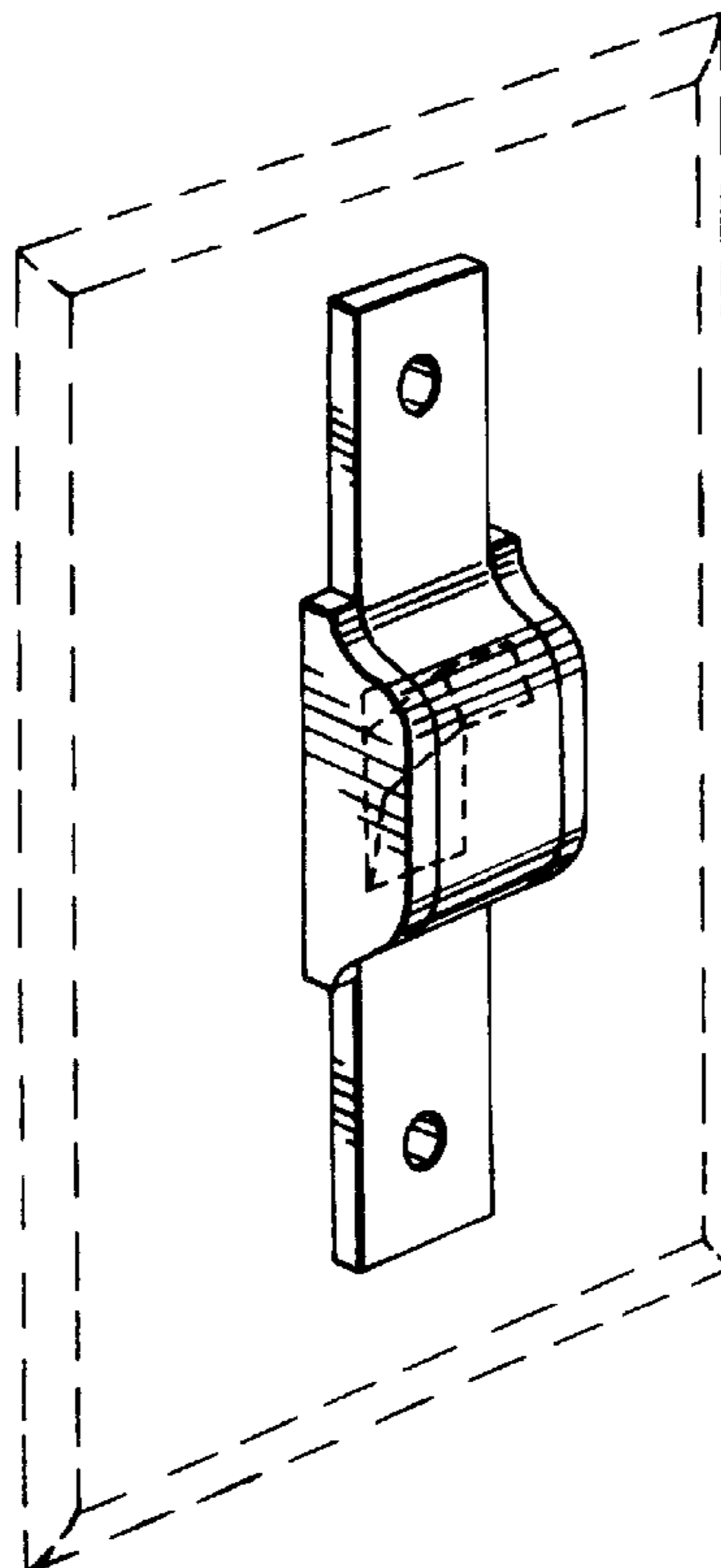


FIG. 1

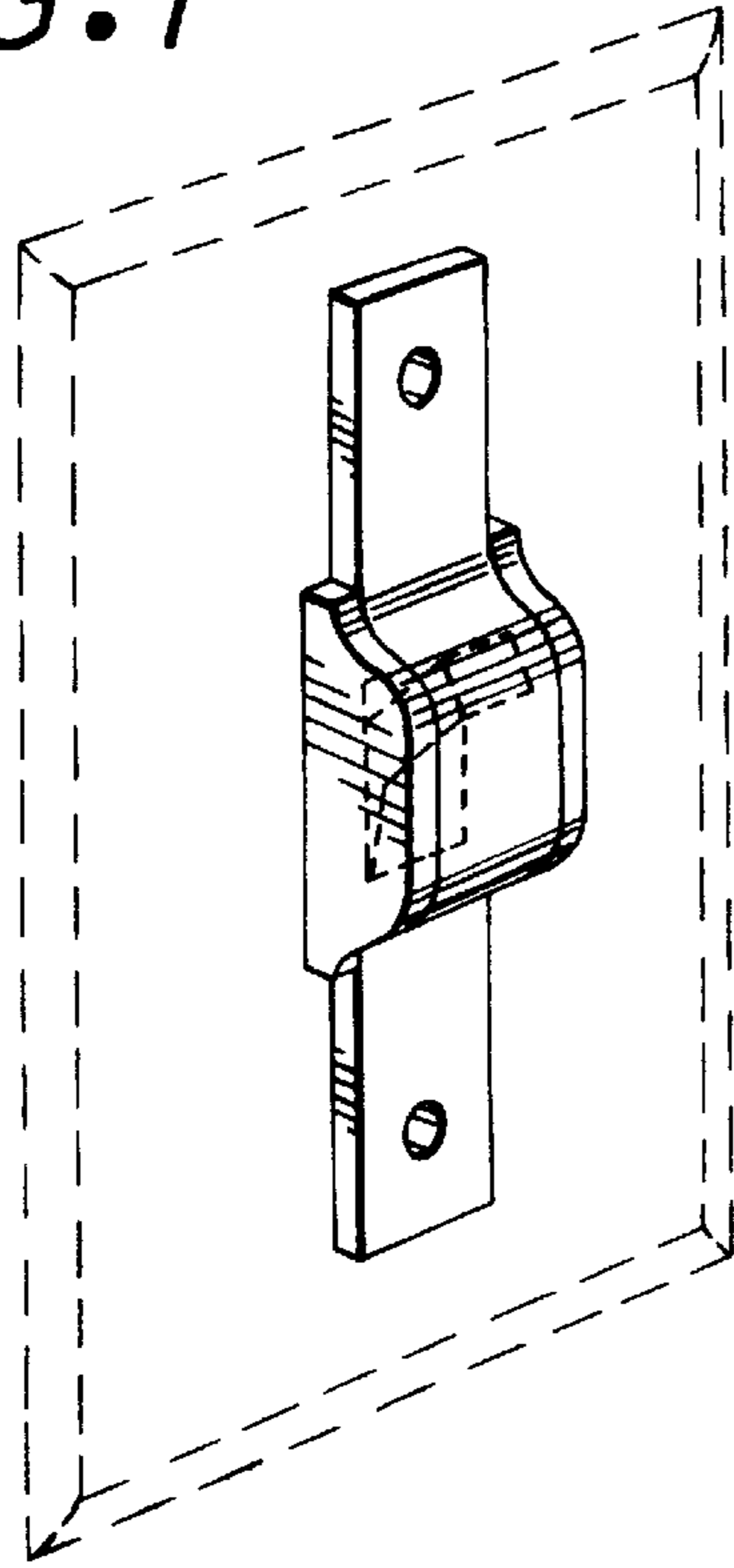


FIG. 2

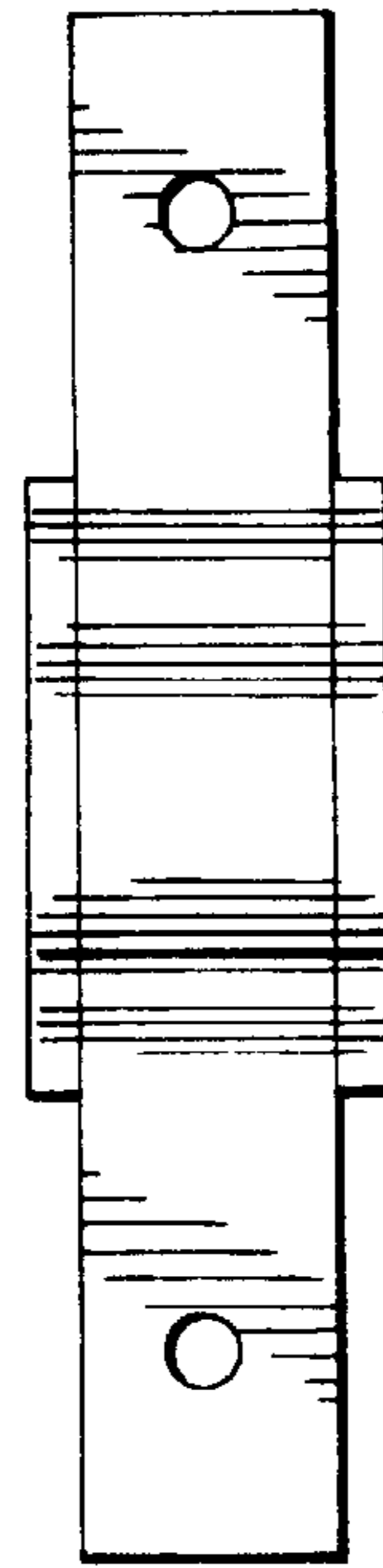


FIG. 3



FIG. 4

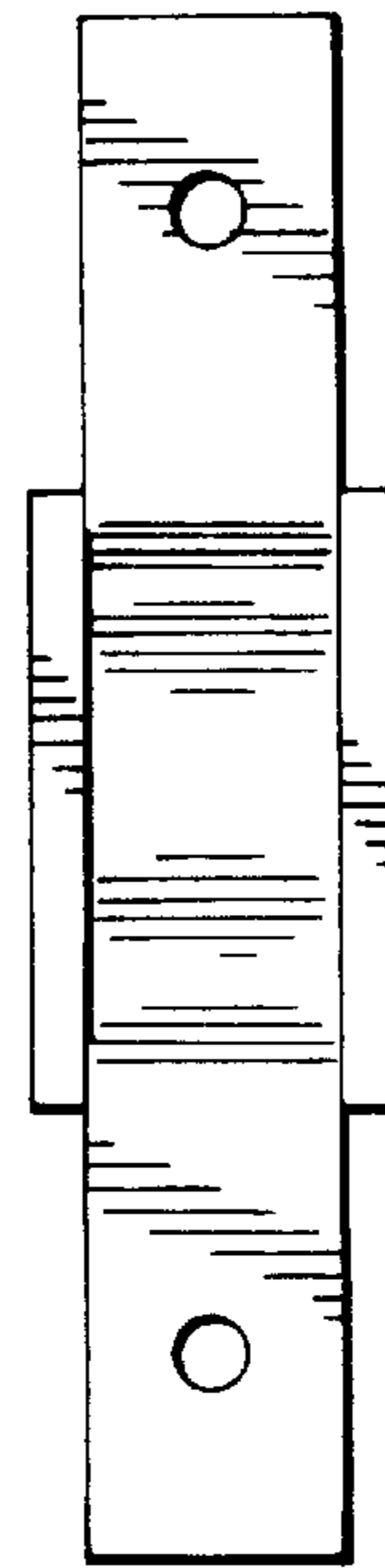


FIG. 5