



US00D466869S

(12) **United States Design Patent**  
**Chen et al.**

(10) **Patent No.:** **US D466,869 S**

(45) **Date of Patent:** **\*\* Dec. 10, 2002**

(54) **ELECTRICAL CONNECTOR**

(75) Inventors: **Qiang Chen**, Kunsan (CN);  
**GuangXing Shi**, Kunsan (CN); **Suiya Wang**, Kunsan (CN)

(73) Assignee: **Hon Hai Precision Ind. Co., Ltd.**,  
Taipei Hsien (TW)

(\*\*) Term: **14 Years**

(21) Appl. No.: **29/152,511**

(22) Filed: **Dec. 18, 2001**

(51) **LOC (7) Cl.** ..... **13-03**

(52) **U.S. Cl.** ..... **D13/147**

(58) **Field of Search** ..... D13/147; D14/256;  
439/188, 607, 676

(56) **References Cited**

**U.S. PATENT DOCUMENTS**

D447,733 S \* 9/2001 Ma et al. .... D13/147

6,312,293 B1 \* 11/2001 Wang ..... 439/607 X

6,364,694 B1 \* 4/2002 Lien ..... 439/188 X

6,368,160 B2 \* 4/2002 Chang ..... 439/676

\* cited by examiner

*Primary Examiner*—Joel Sincavage

(74) *Attorney, Agent, or Firm*—Wei Te Chung

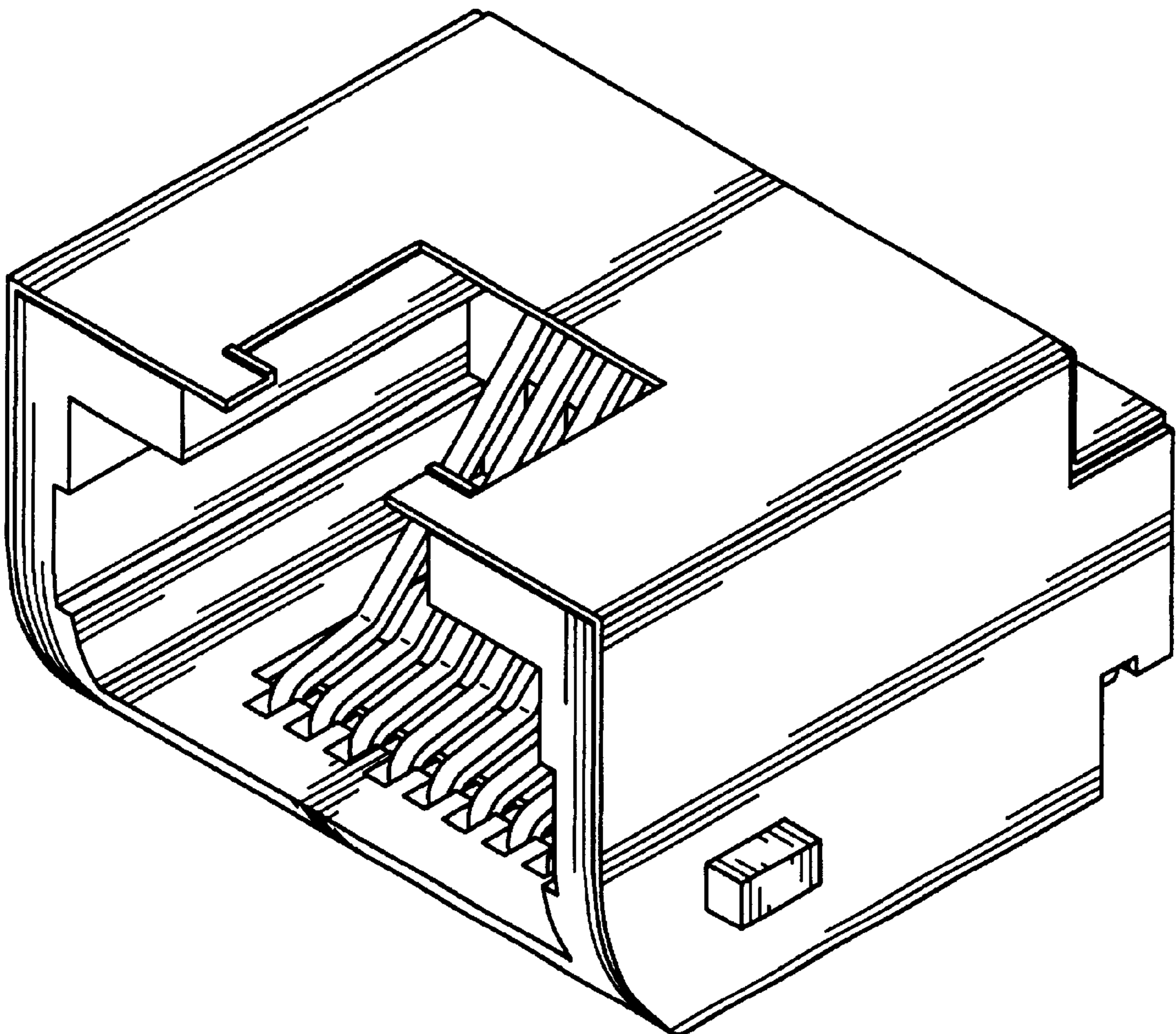
(57) **CLAIM**

The ornamental design for an electrical connector, as shown.

**DESCRIPTION**

FIG. 1 is a front, top and right side perspective view of an electrical connector showing our new design; FIG. 2 is a front elevational view thereof; FIG. 3 is a rear elevational view thereof; FIG. 4 is a left side elevational view thereof; FIG. 5 is a right side elevational view thereof; FIG. 6 is a top plan view thereof; and, FIG. 7 is a bottom plan view thereof.

**1 Claim, 4 Drawing Sheets**



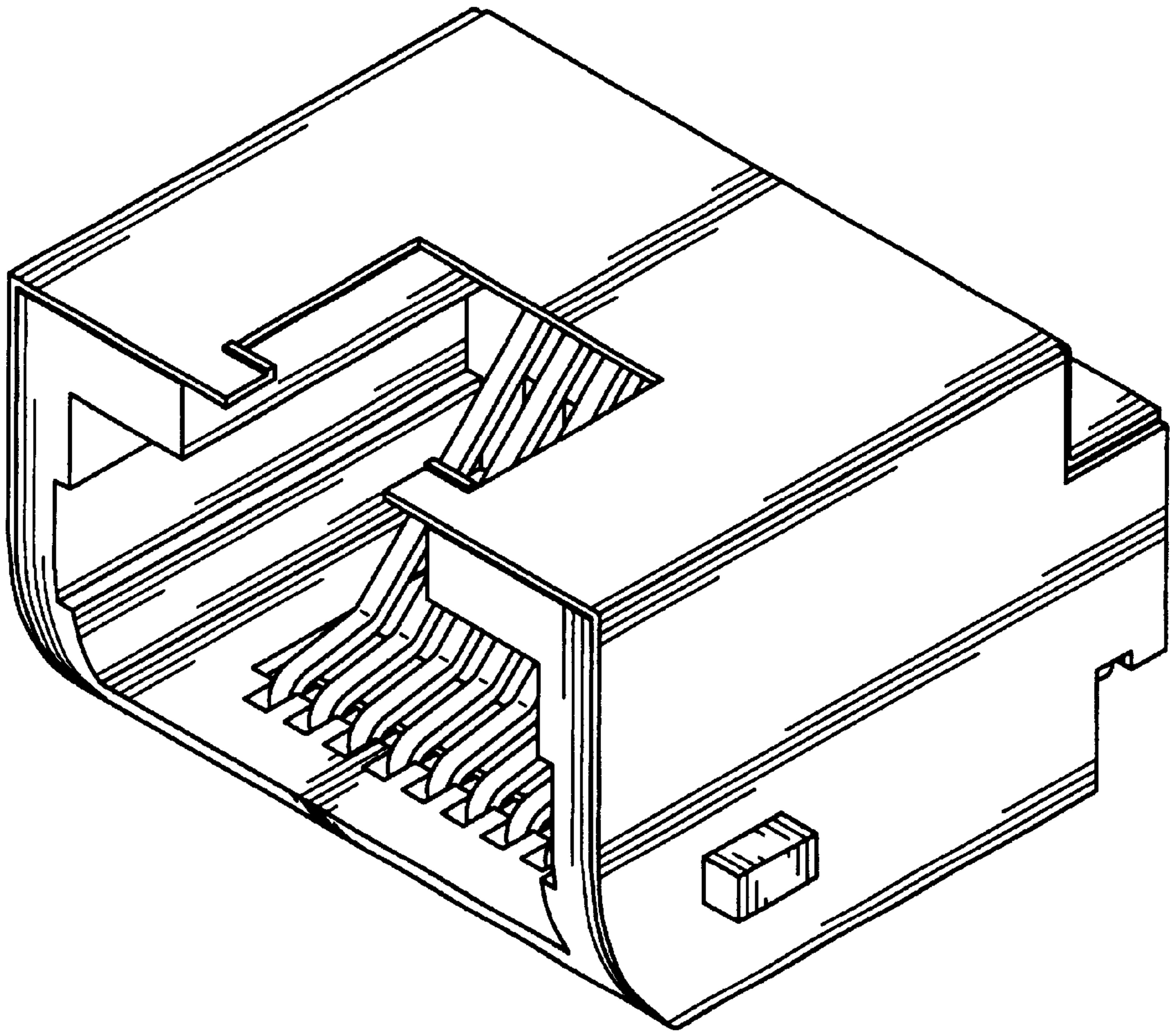


FIG. 1

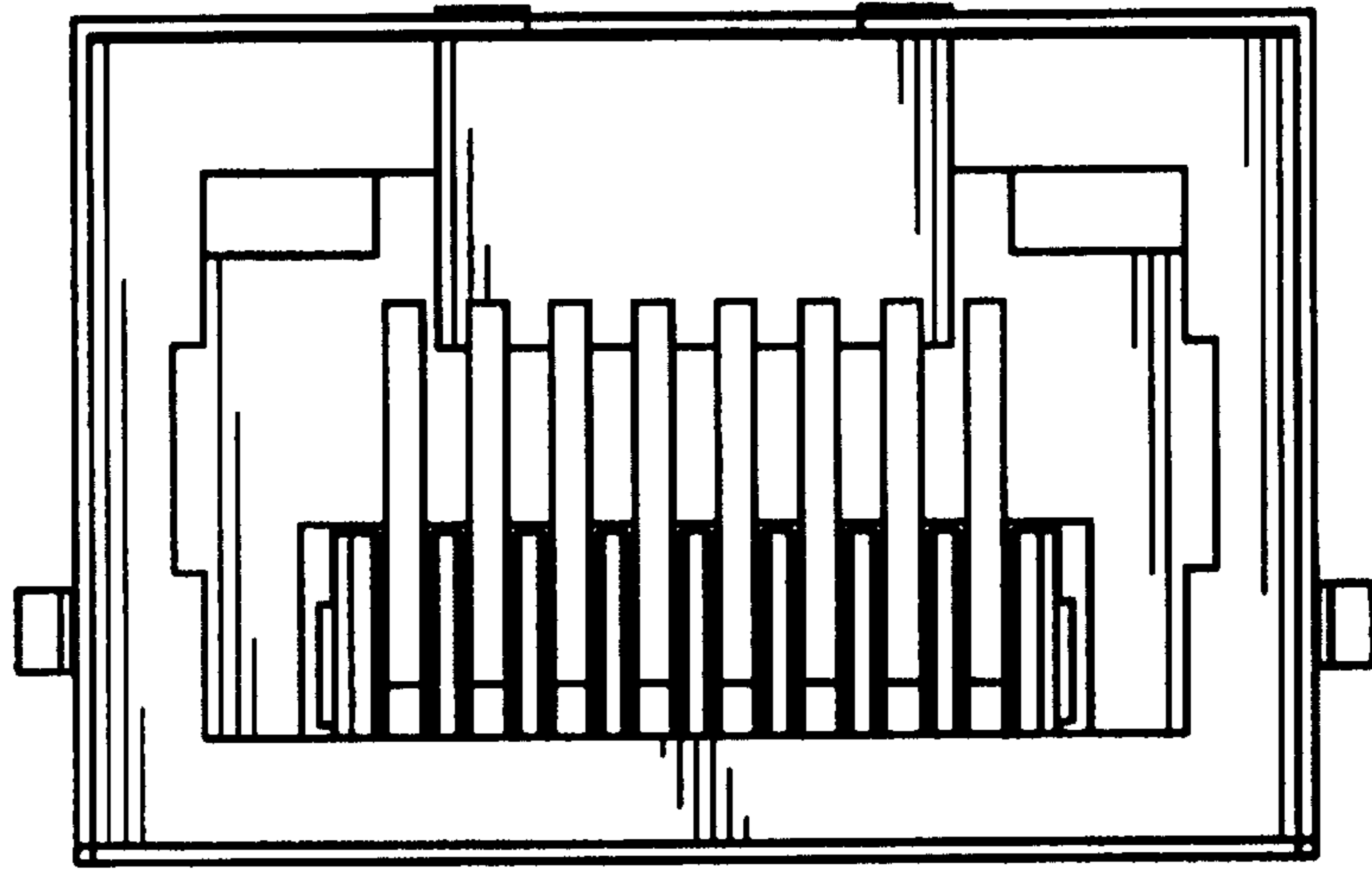


FIG. 2

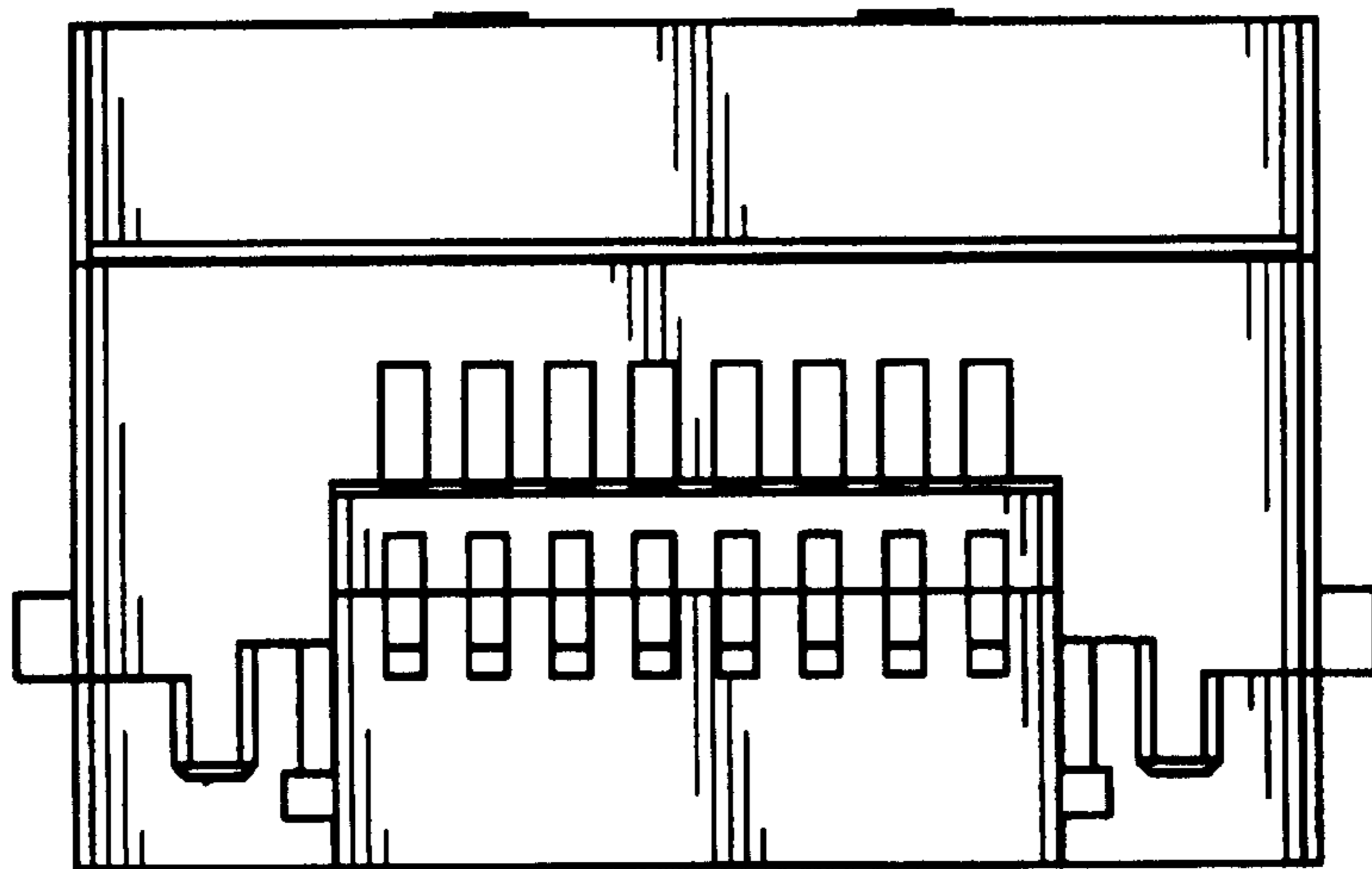


FIG. 3

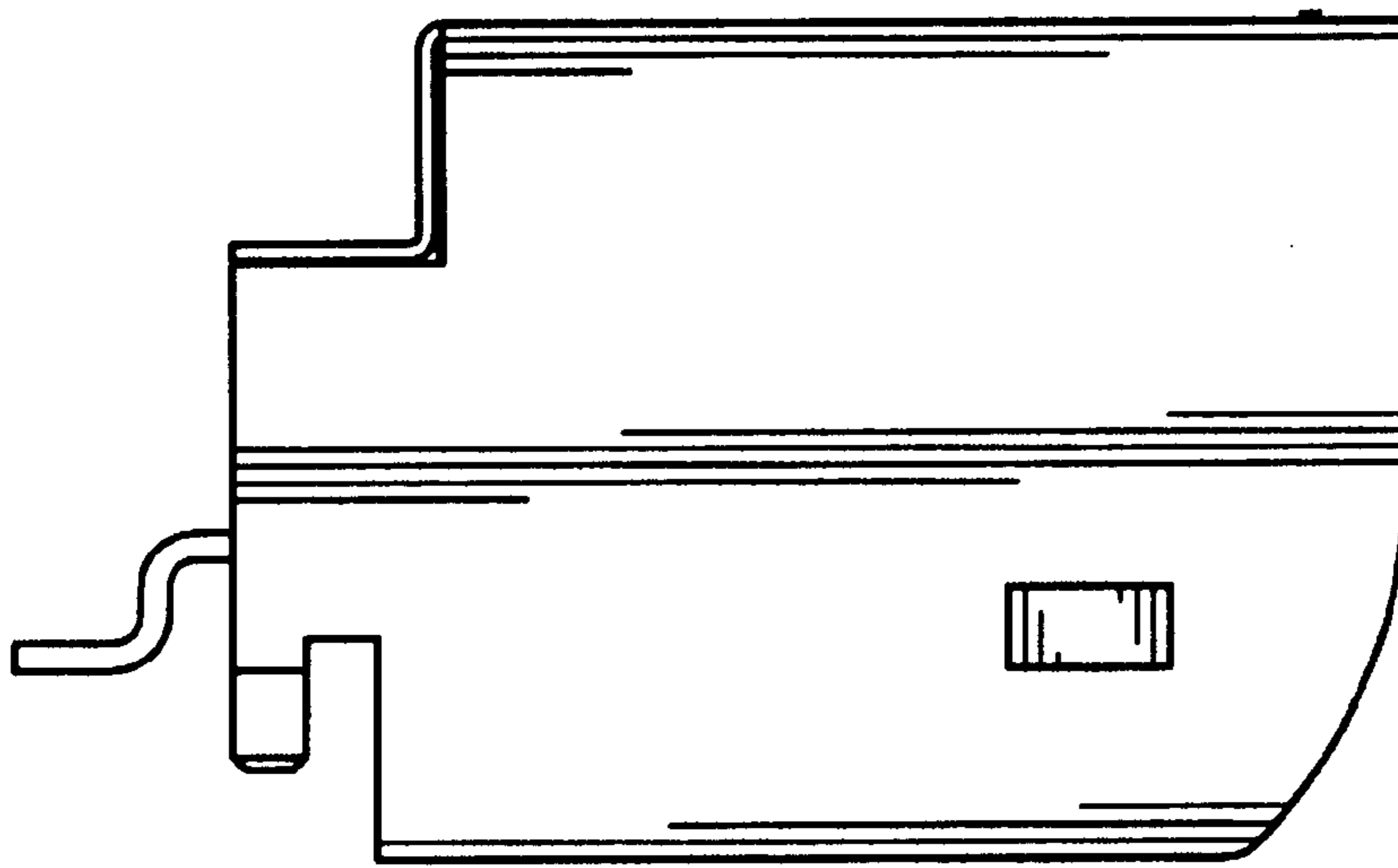


FIG. 4

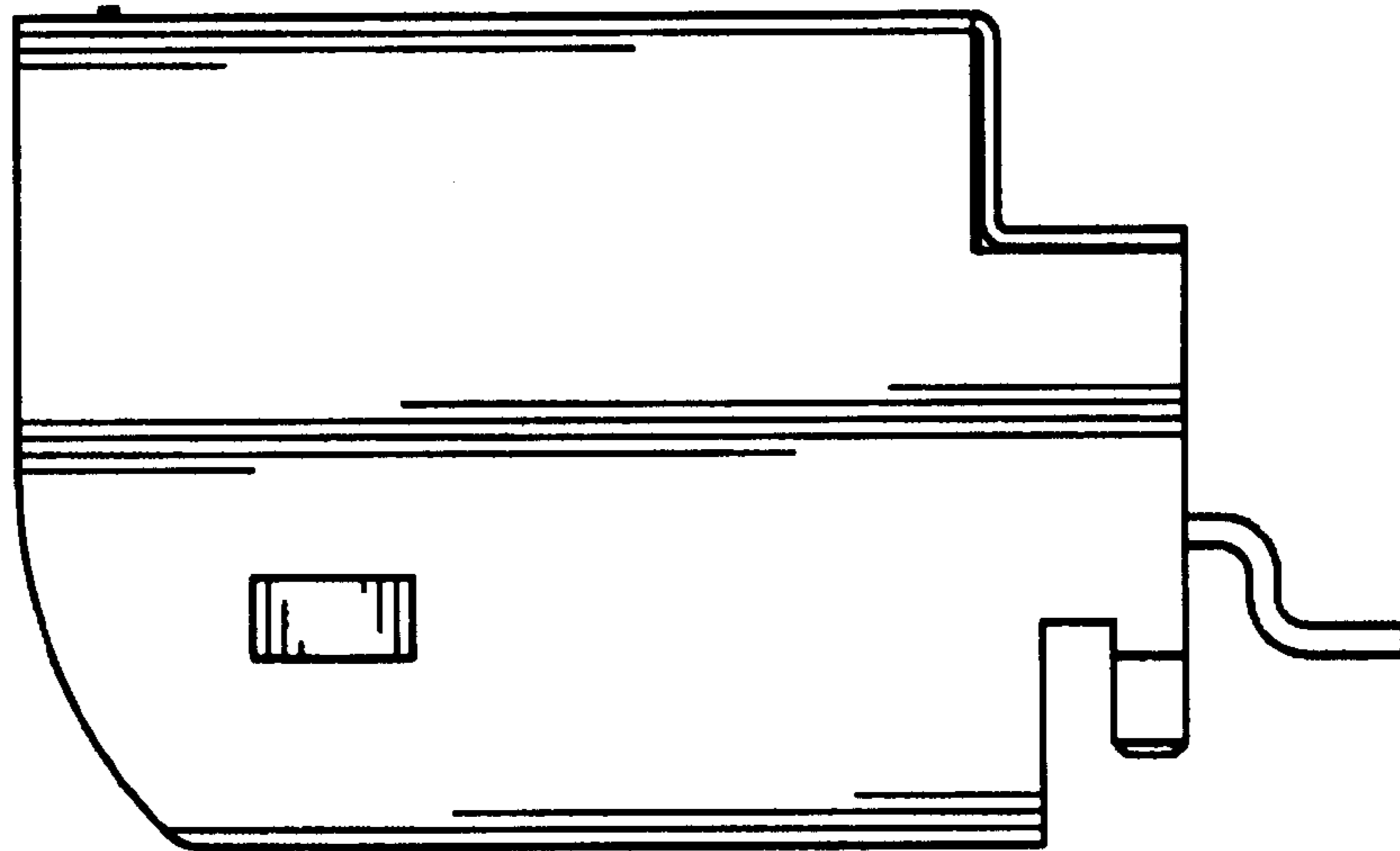


FIG. 5

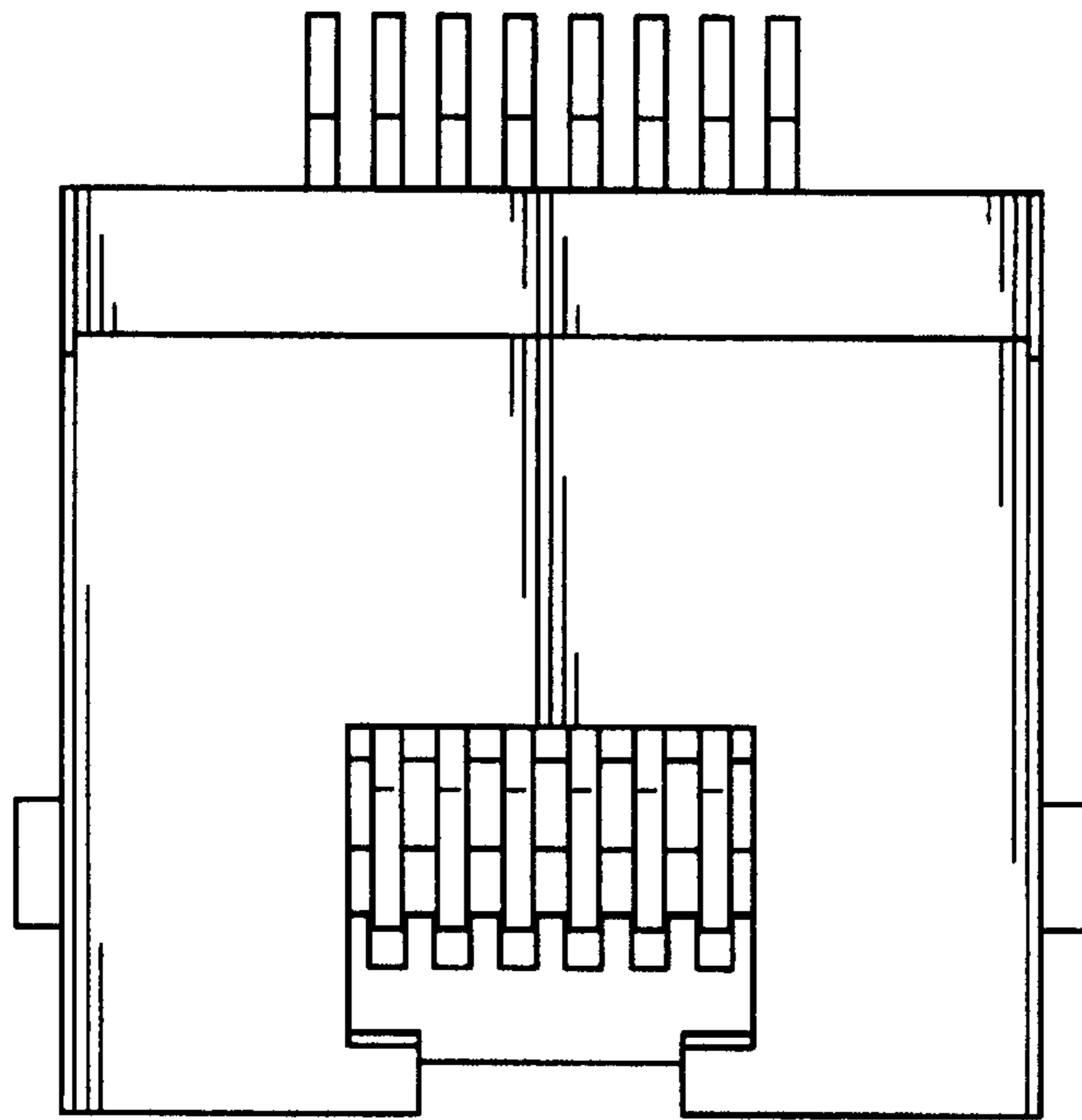


FIG. 6

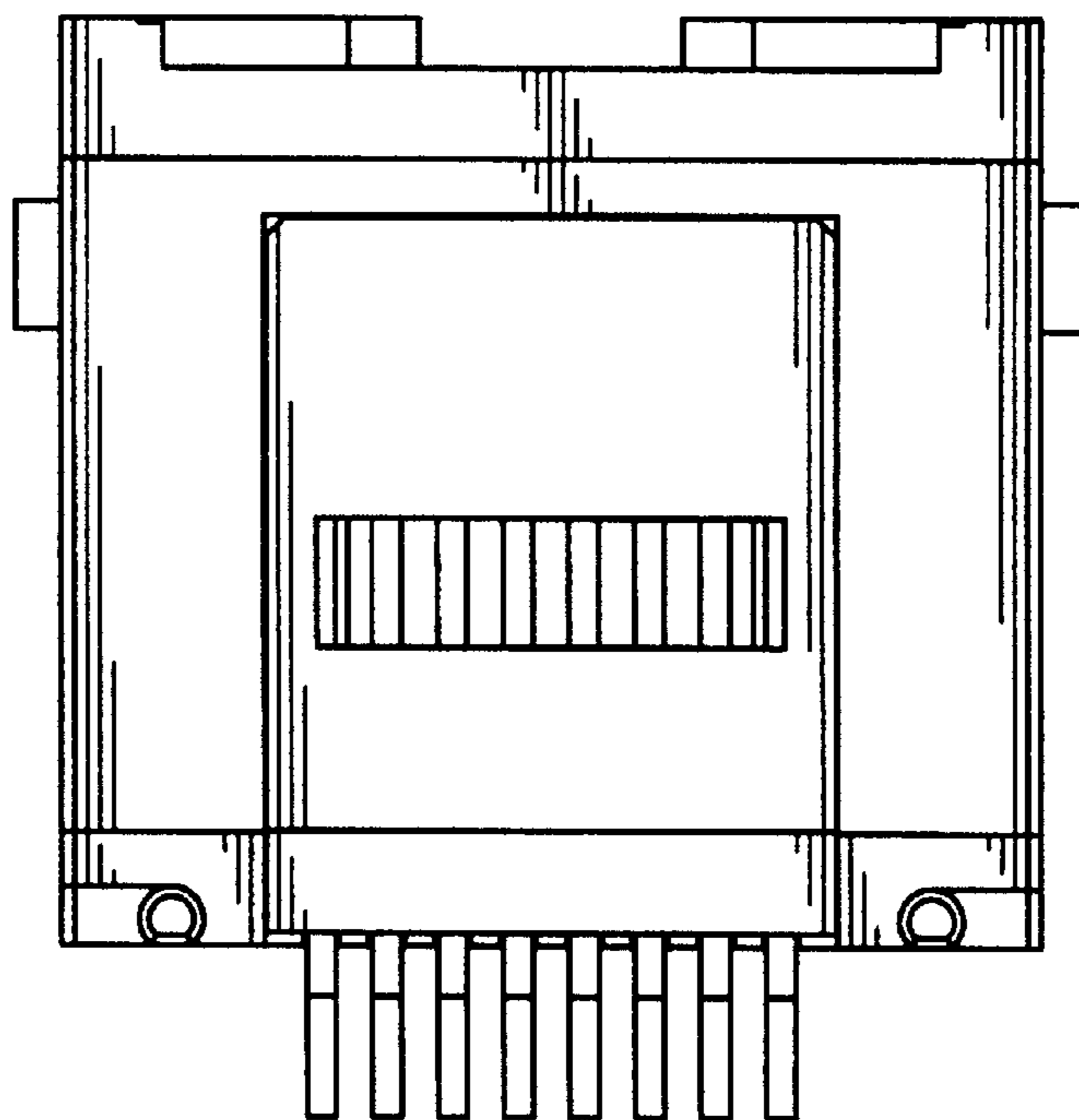


FIG. 7