



US00D466868S

(12) **United States Design Patent**
Gershfeld

(10) **Patent No.: US D466,868 S**

(45) **Date of Patent: ** Dec. 10, 2002**

(54) **DOUBLE OPPOSITE FACING INTERCONNECT ENCLOSURE FOR COMPUTER AND AUDIO VISUAL EQUIPMENT CONCEALABLE IN FURNITURE**

(76) Inventor: **Jack Gershfeld**, 615 Del Rio Way, Fullerton, CA (US) 92835

(**) Term: **14 Years**

(21) Appl. No.: **29/149,878**

(22) Filed: **Oct. 19, 2001**

(51) **LOC (7) Cl. 13-03**

(52) **U.S. Cl. D13/139.4**

(58) **Field of Search D13/139.4, 139.6-139.8; 439/131, 135, 638, 142, 650-654; 174/48, 49, 53, 58**

(56) **References Cited**

U.S. PATENT DOCUMENTS

- 5,122,069 A * 6/1992 Brownlie et al. 174/53
- D353,363 S * 12/1994 Toby D13/139.4
- 5,575,668 A * 11/1996 Timmerman 174/48

* cited by examiner

Primary Examiner—Jennifer Rivard

(74) *Attorney, Agent, or Firm*—Vladimir Khiterer

(57) **CLAIM**

The ornamental design for a double opposite facing interconnect enclosure for computer and audio visual equipment concealable in furniture, as shown and described.

DESCRIPTION

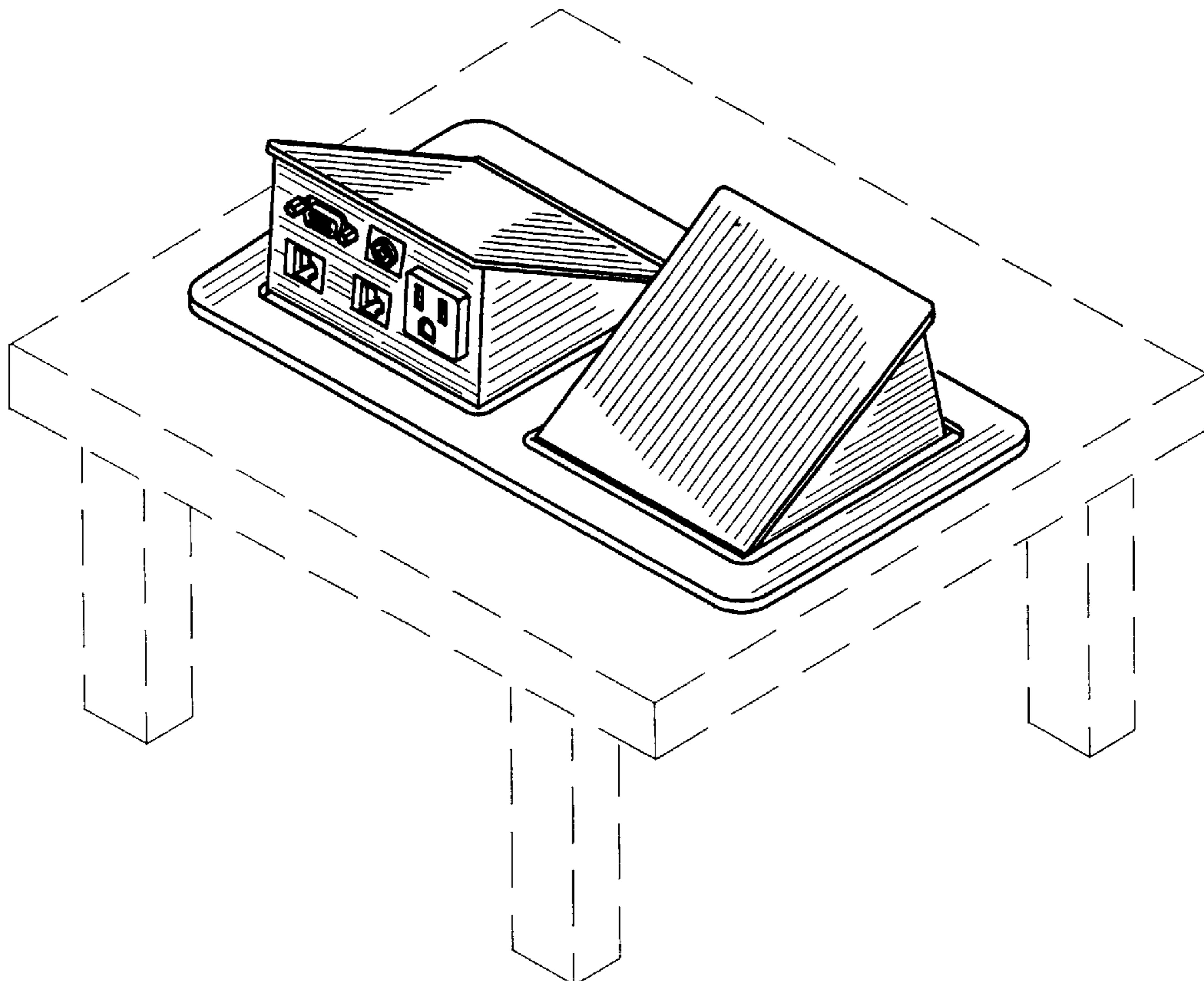
FIG. 1 is a front perspective view of a double opposite facing interconnect enclosure for computer and audio visual equipment concealable in furniture in the open position, the back perspective view thereof in the open position being identical to the front perspective view shown in FIG. 1. The broken lines are to illustrate an environment only and form no part of the claimed design.

FIG. 2 is a front elevational view thereof in the open position, the back elevational view thereof in the open position being identical to the front elevational view shown in FIG. 2. The broken lines are to illustrate an environment only and form no part of the claimed design.

FIG. 3 is a front elevational view thereof in the concealed position, the back elevational view thereof in the concealed position being identical to the front elevational view shown in FIG. 3. The broken lines are to illustrate an environment only and form no part of the claimed design; and,

FIG. 4 is a top plan view thereof in the concealed position. The appearance of the bottom forms no part of the claimed design.

1 Claim, 4 Drawing Sheets



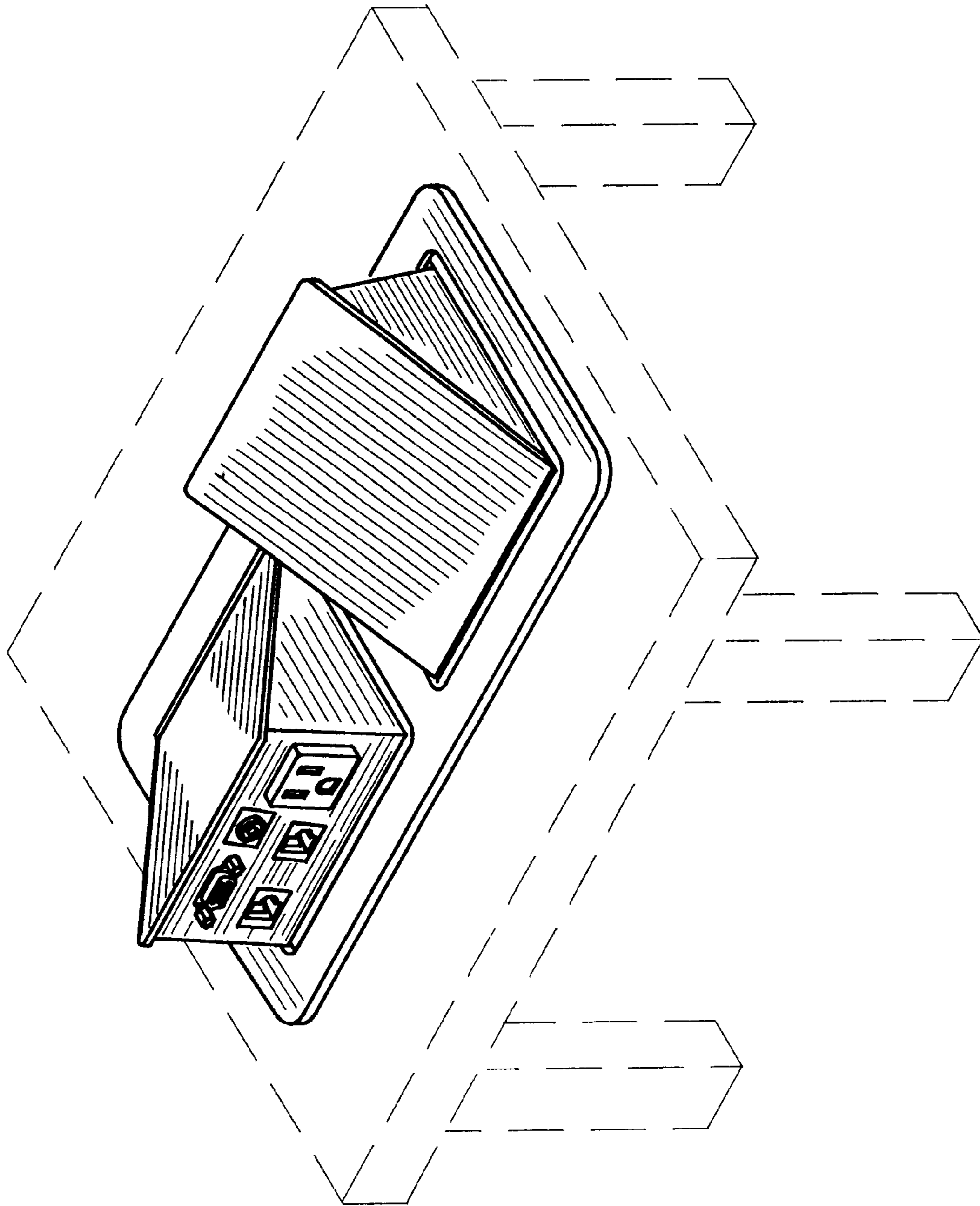


FIG.1

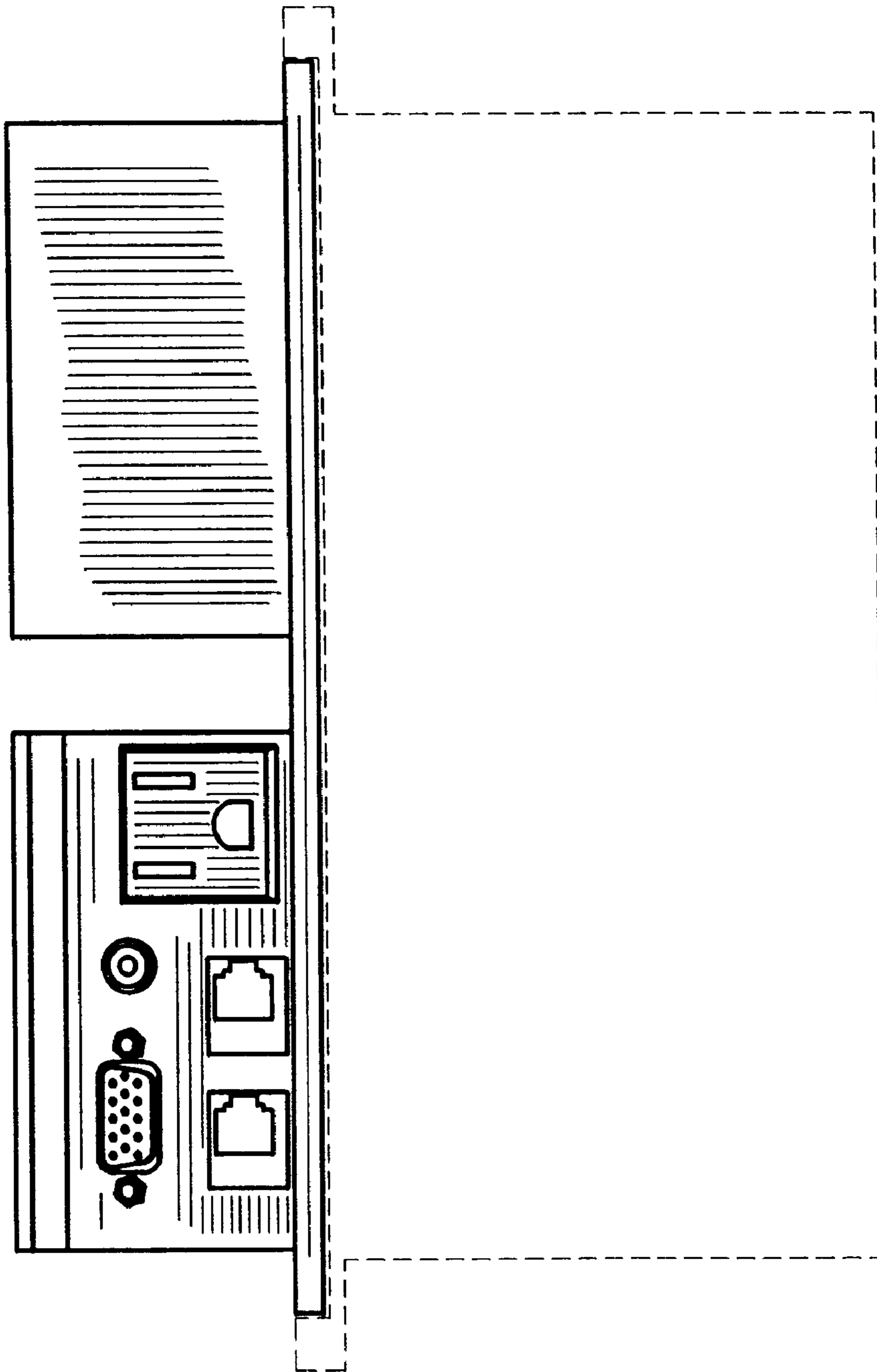


FIG.2

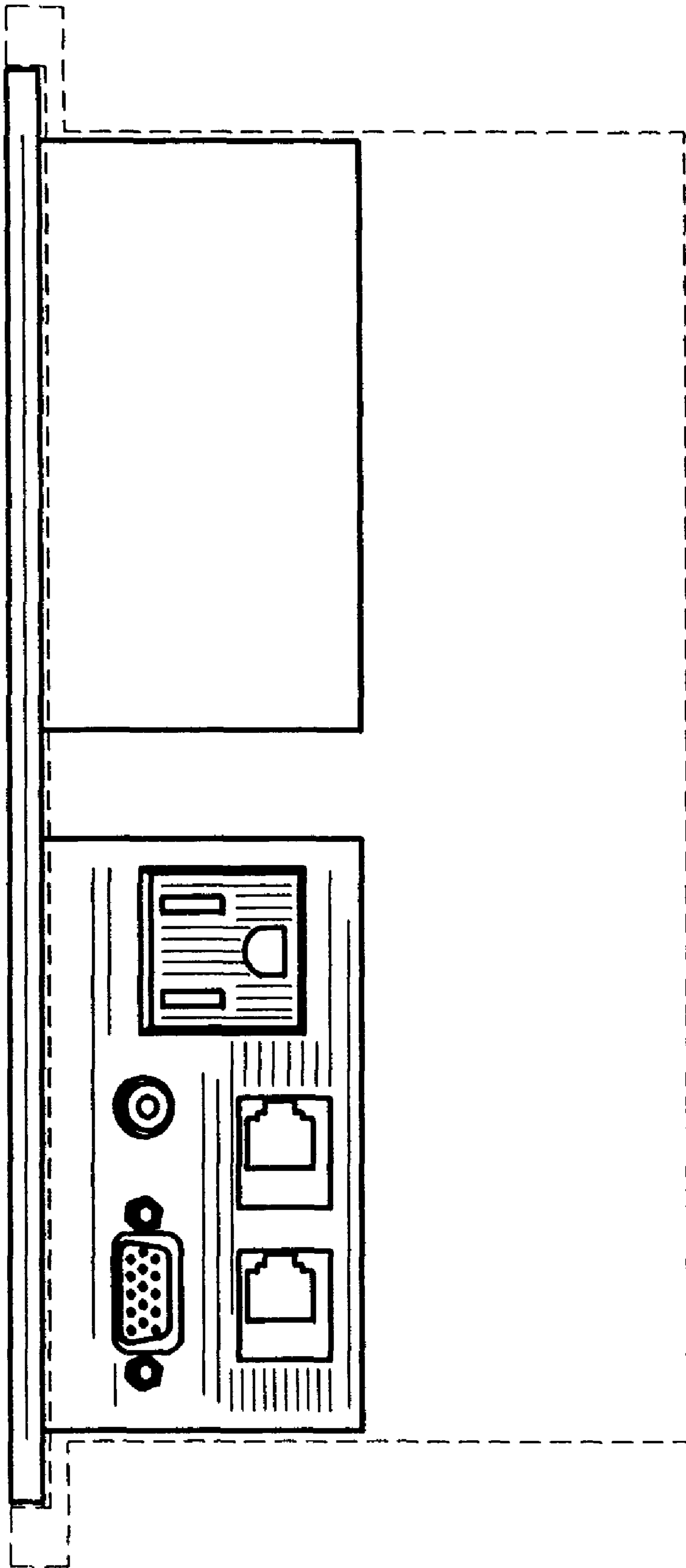


FIG.3

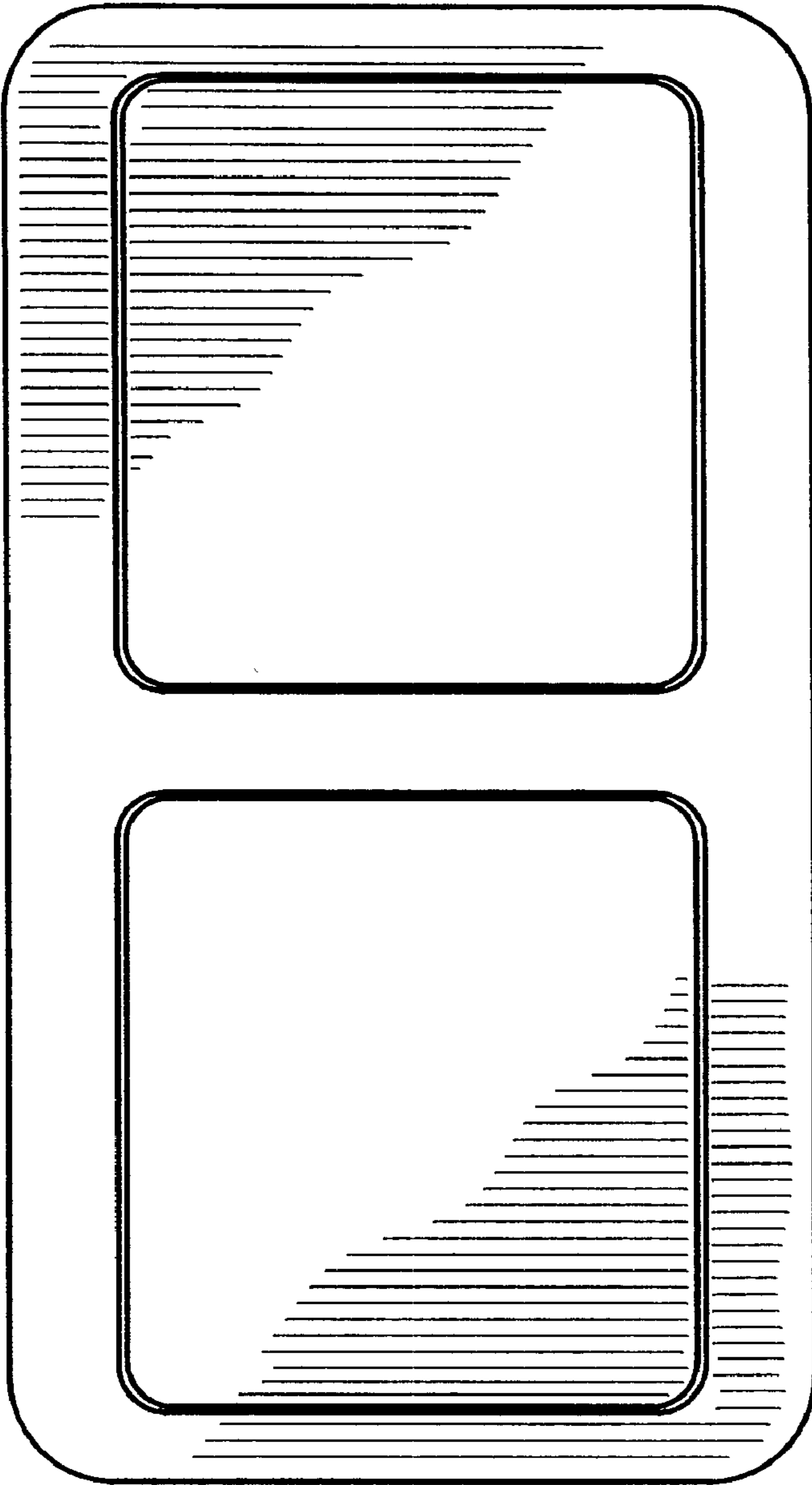


FIG.4