



US00D466867S

(12) **United States Design Patent**  
**Krobusek**

(10) **Patent No.:** **US D466,867 S**

(45) **Date of Patent:** **\*\* Dec. 10, 2002**

(54) **SHORT EXTENSION CORD**

(76) Inventor: **Richard D. Krobusek**, 4109 Kirkwall St., Plano, TX (US) 75093

(\*\*) Term: **14 Years**

(21) Appl. No.: **29/133,134**

(22) Filed: **Nov. 21, 2000**

(51) **LOC (7) Cl.** ..... **13-03**

(52) **U.S. Cl.** ..... **D13/137.4**

(58) **Field of Search** ..... 439/502, 509,  
439/527, 640, 448, 449, 474; D13/137.1,  
137.4

(56) **References Cited**

**U.S. PATENT DOCUMENTS**

3,395,244	A	*	7/1968	Koshler	.....	439/448
5,007,857	A	*	4/1991	Wright	.....	439/490
5,320,560	A		6/1994	Fladung		
5,466,172	A		11/1995	Carstens et al.		
D384,329	S		9/1997	Kammersgard et al.		
5,823,817	A	*	10/1998	Pyle	.....	439/448
5,855,494	A	*	1/1999	Blaszczyk et al.	.....	439/502
5,904,591	A		5/1999	Shiau		

\* cited by examiner

*Primary Examiner*—Jennifer Rivard

(74) *Attorney, Agent, or Firm*—Hitt Gaines & Boisbrun PC

(57) **CLAIM**

The ornamental design for a short extension cord, as shown and described.

**DESCRIPTION**

FIG. 1 is an upper surface isometric view, with the female end forward, of one embodiment of the short extension cord incorporating the new design;

FIG. 2 is a lower surface isometric view, with the male end forward, of the short extension cord of FIG. 1;

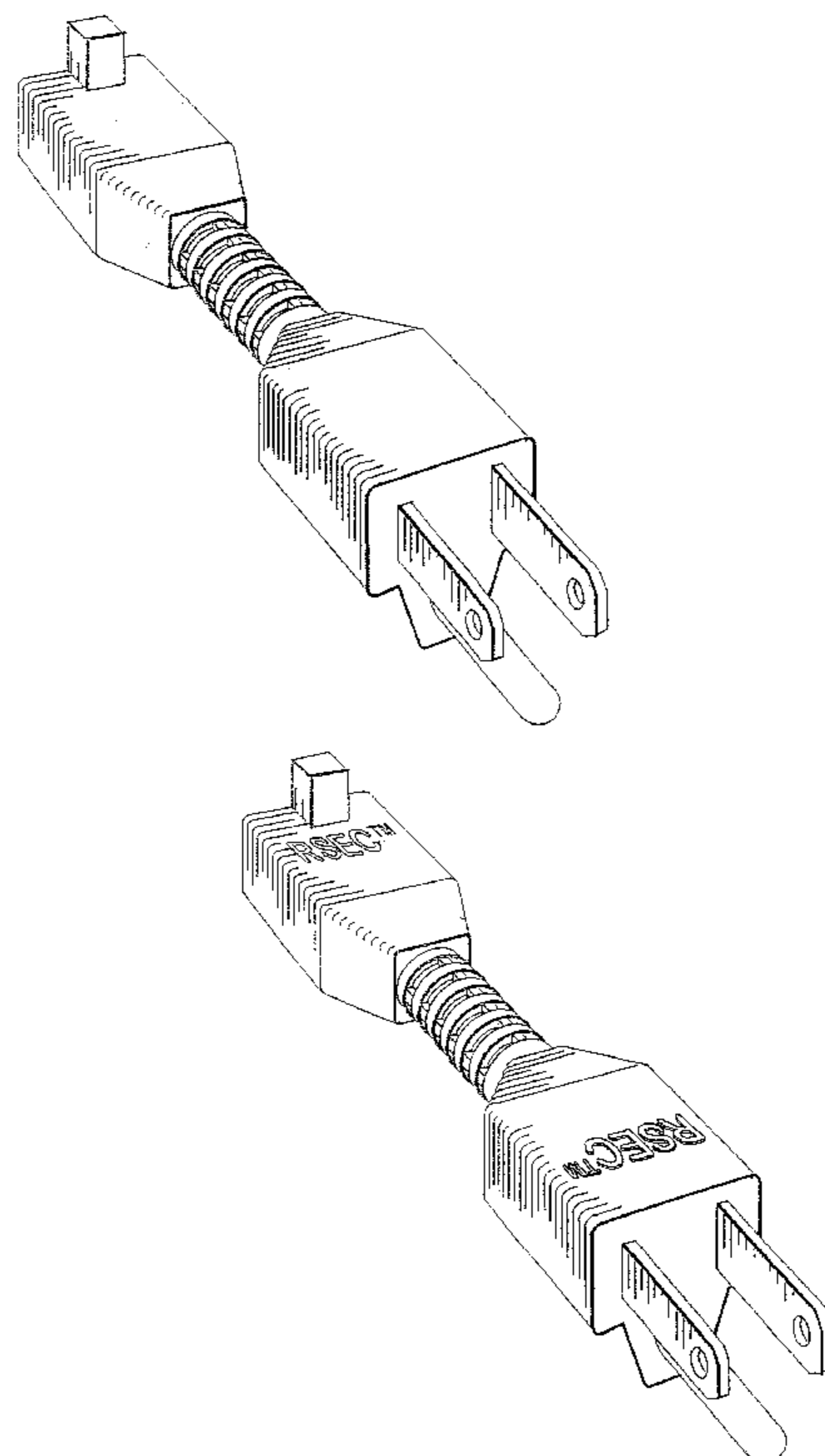
FIG. 3 is a lower surface isometric view, with the male end forward, of the second embodiment of the short extension cord of FIG. 1 incorporating an RSEC™; it being understood that all other surfaces are the same as shown by the first embodiment; and,

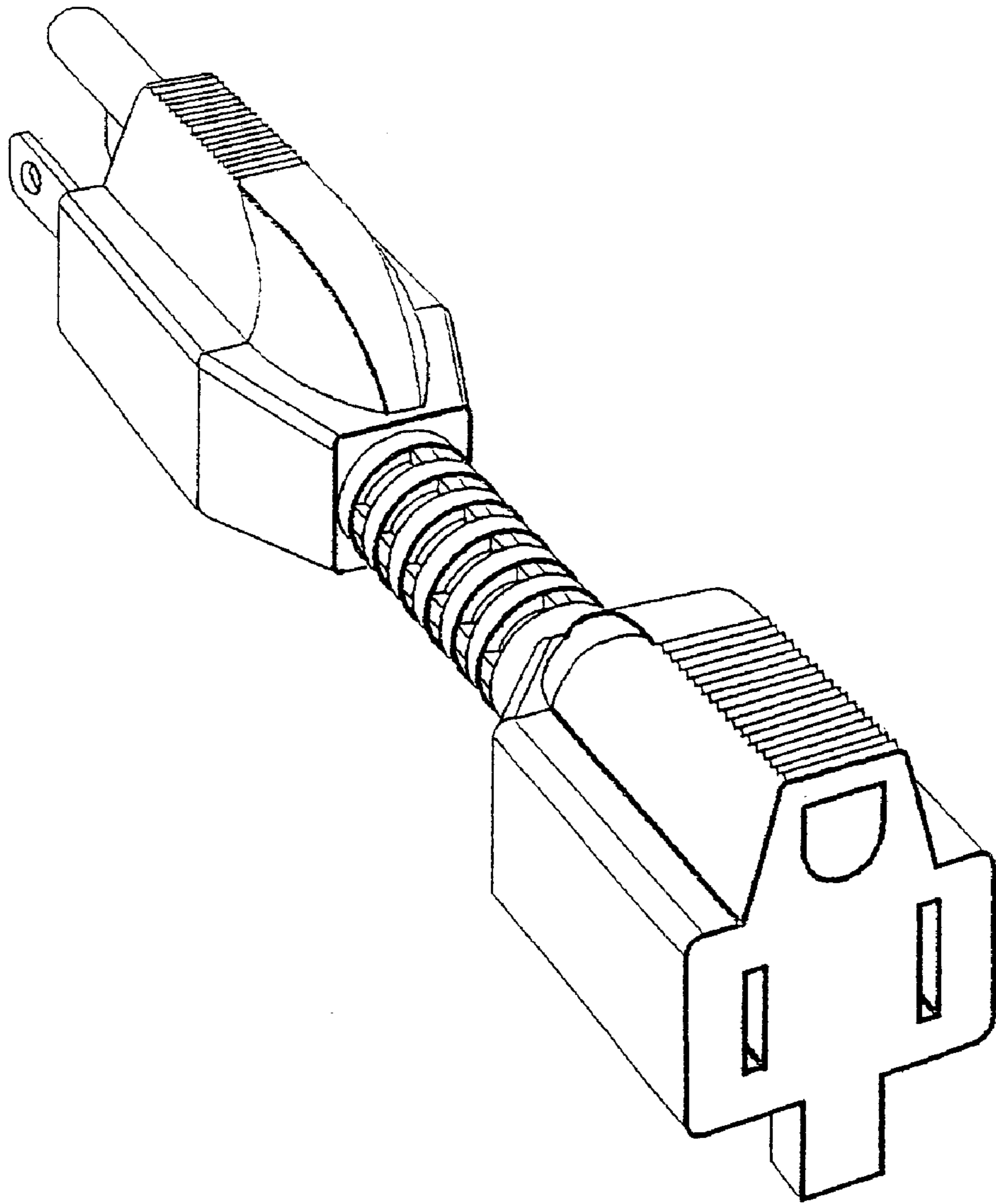
FIG. 4 is a top isometric view of the short extension cord of FIG. 1 in relation to a power strip and power converter.

FIGS. 1, 2 and 3 comprise two embodiments of a short extension cord incorporating the new design. FIG. 1 illustrates an upper surface isometric view of one embodiment of the short extension cord incorporating the new design showing a female end in the foreground. FIGS. 2 and 3 complete alternative forms of the lower surface of the embodiment of FIG. 1. The RSEC™ forming part of the claimed design is a trademark of Richard D. Krobusek.

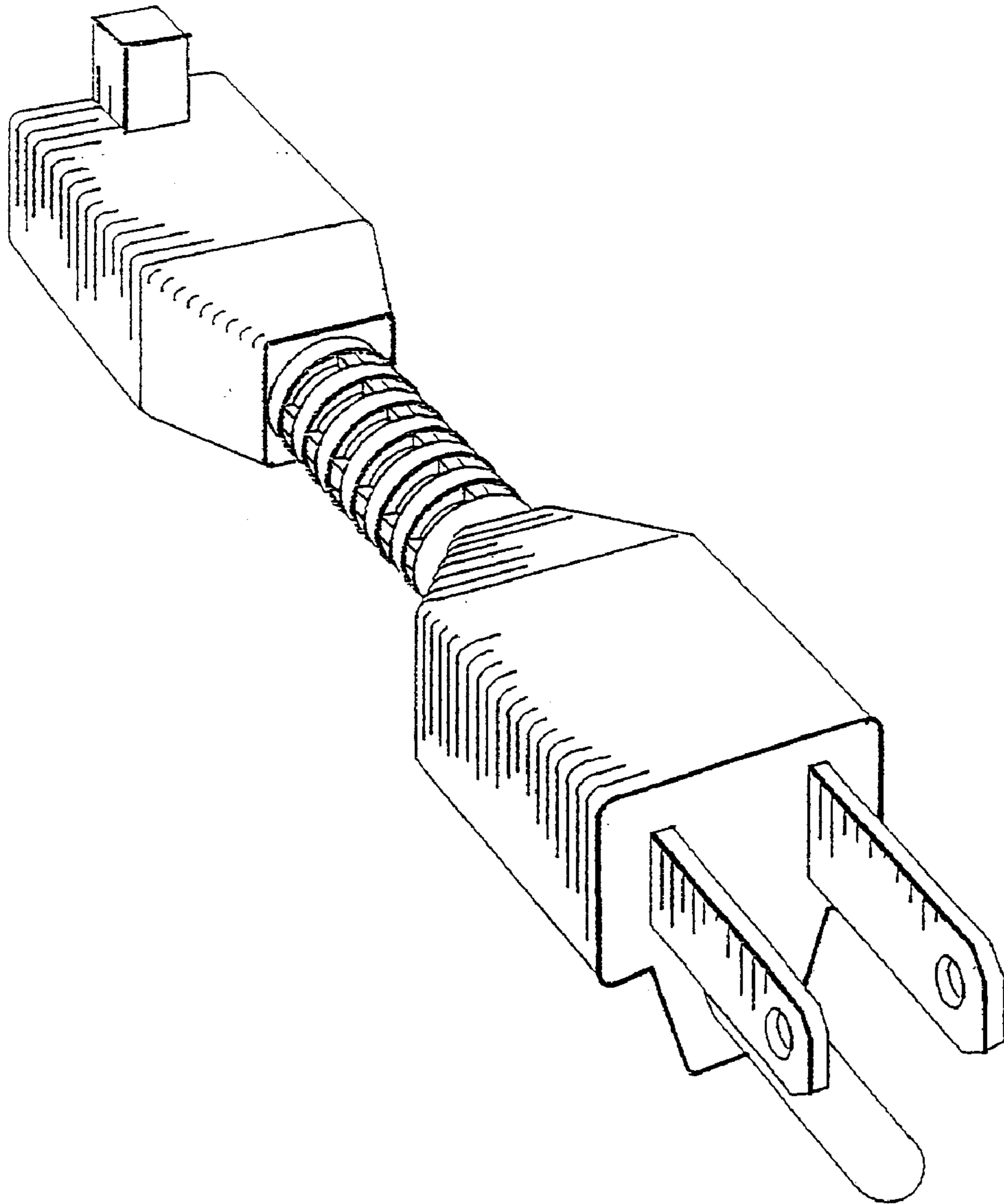
FIG. 4 illustrates a top isometric view of the short extension cord of FIG. 1 as it would appear when coupled to a power strip and a power converter. The purpose of broken lines in the drawing is to indicate the environmental structure of the power strip and power converter that form no part of the design to be patented.

**1 Claim, 4 Drawing Sheets**

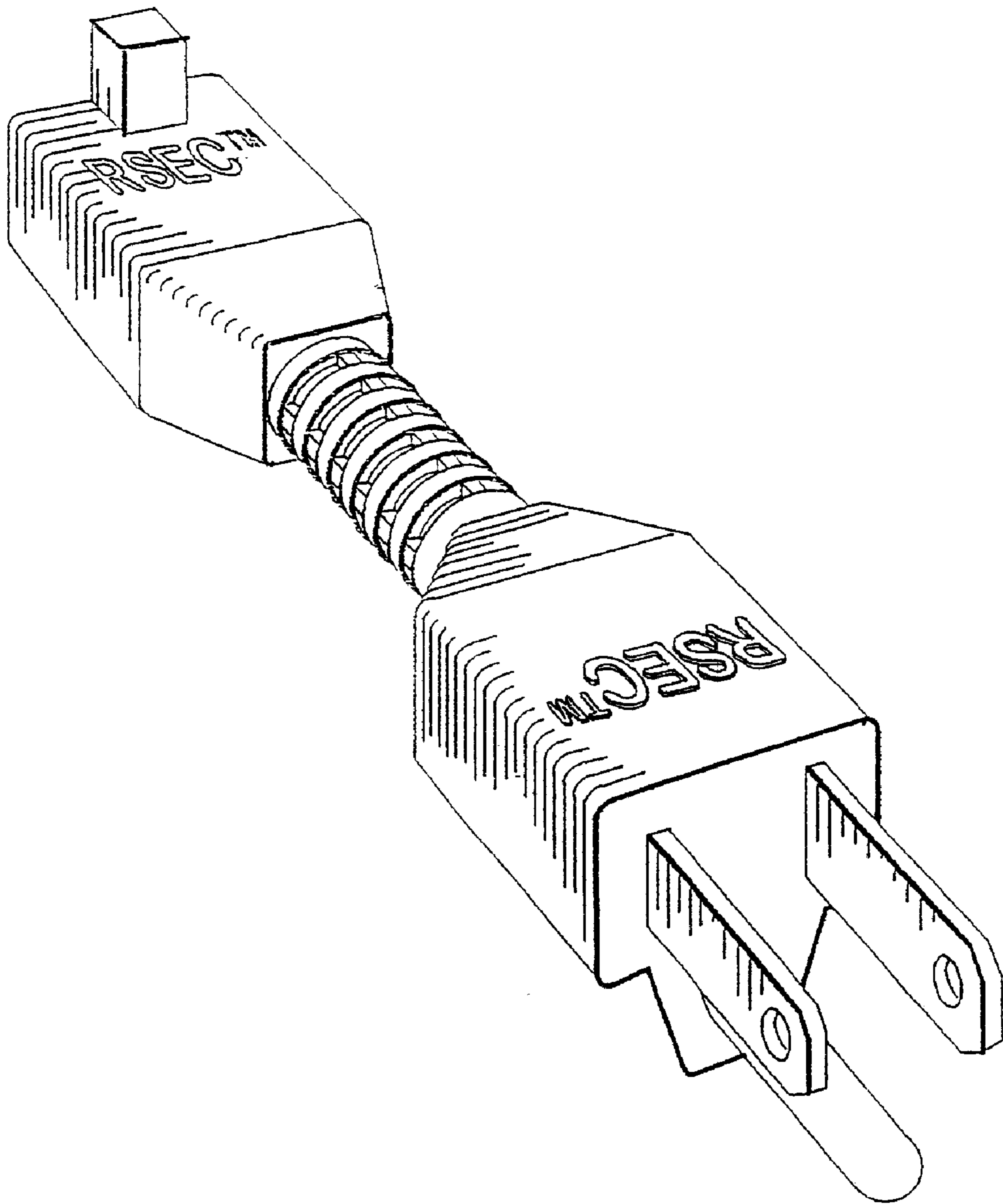




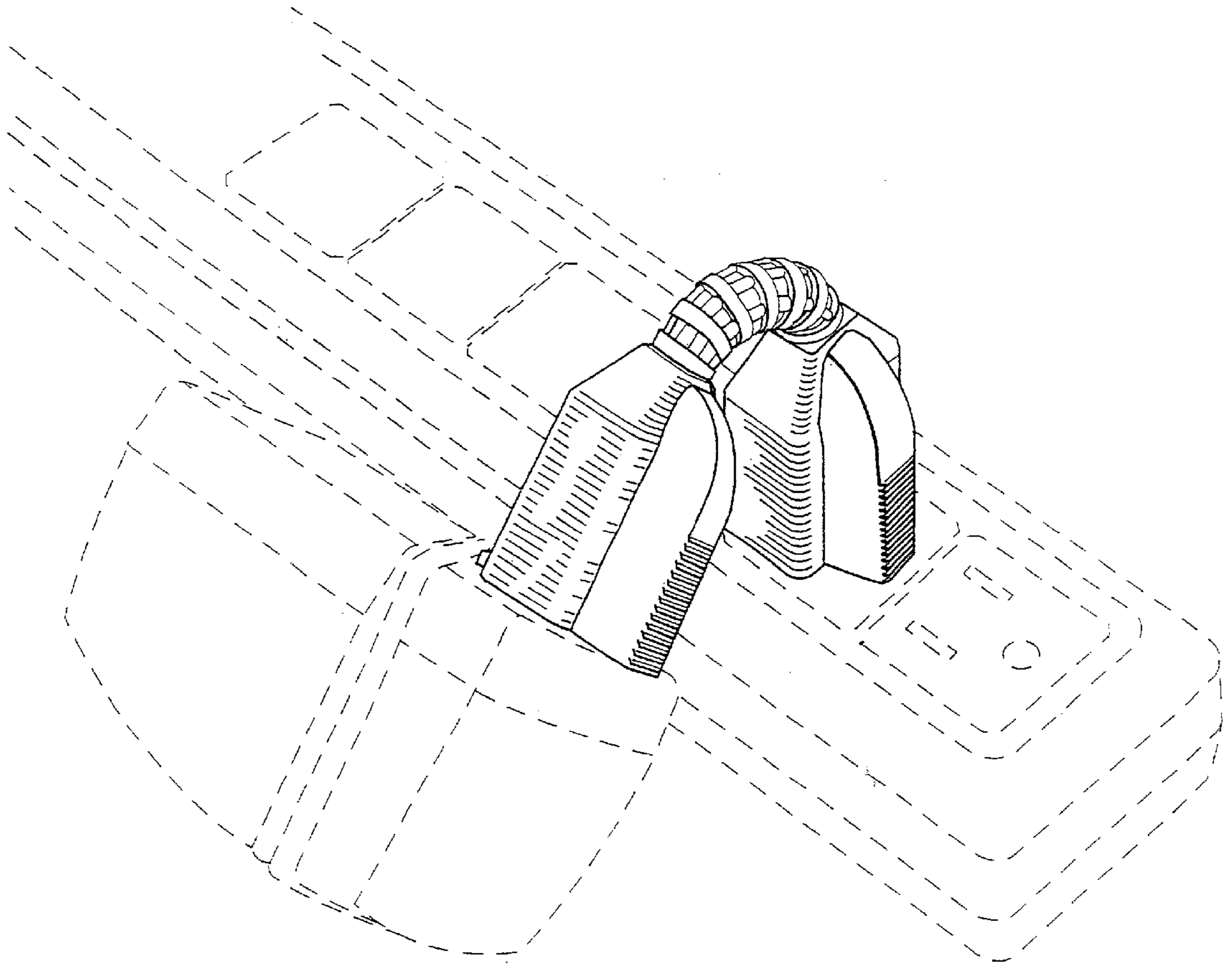
***FIGURE 1***



**FIGURE 2**



**FIGURE 3**



**FIGURE 4**