



US00D466866S

(12) **United States Design Patent**  
**Stack et al.**

(10) **Patent No.:** **US D466,866 S**

(45) **Date of Patent:** **\*\* Dec. 10, 2002**

(54) **COMMUNICATION MODULE**

(75) Inventors: **Richard Stack**, Amherst, NH (US);  
**Roger Dugas**, Chester, NH (US)

(73) Assignee: **Xanoptix, Inc.**, Merrimack, NH (US)

(\*\*) Term: **14 Years**

(21) Appl. No.: **29/144,365**

(22) Filed: **Jun. 29, 2001**

(51) **LOC (7) Cl.** ..... **13-02**

(52) **U.S. Cl.** ..... **D13/123**

(58) **Field of Search** ..... D13/123; 361/695,  
361/697, 718, 727; 312/223.2

(56) **References Cited**

**U.S. PATENT DOCUMENTS**

4,654,756 A \* 3/1987 Wilson et al. .... 312/223.3  
6,295,197 B1 \* 9/2001 Watts et al. .... 312/223.2

\* cited by examiner

*Primary Examiner*—Lisa Lichtenstein

(74) *Attorney, Agent, or Firm*—Morgan & Finnegan, LLP

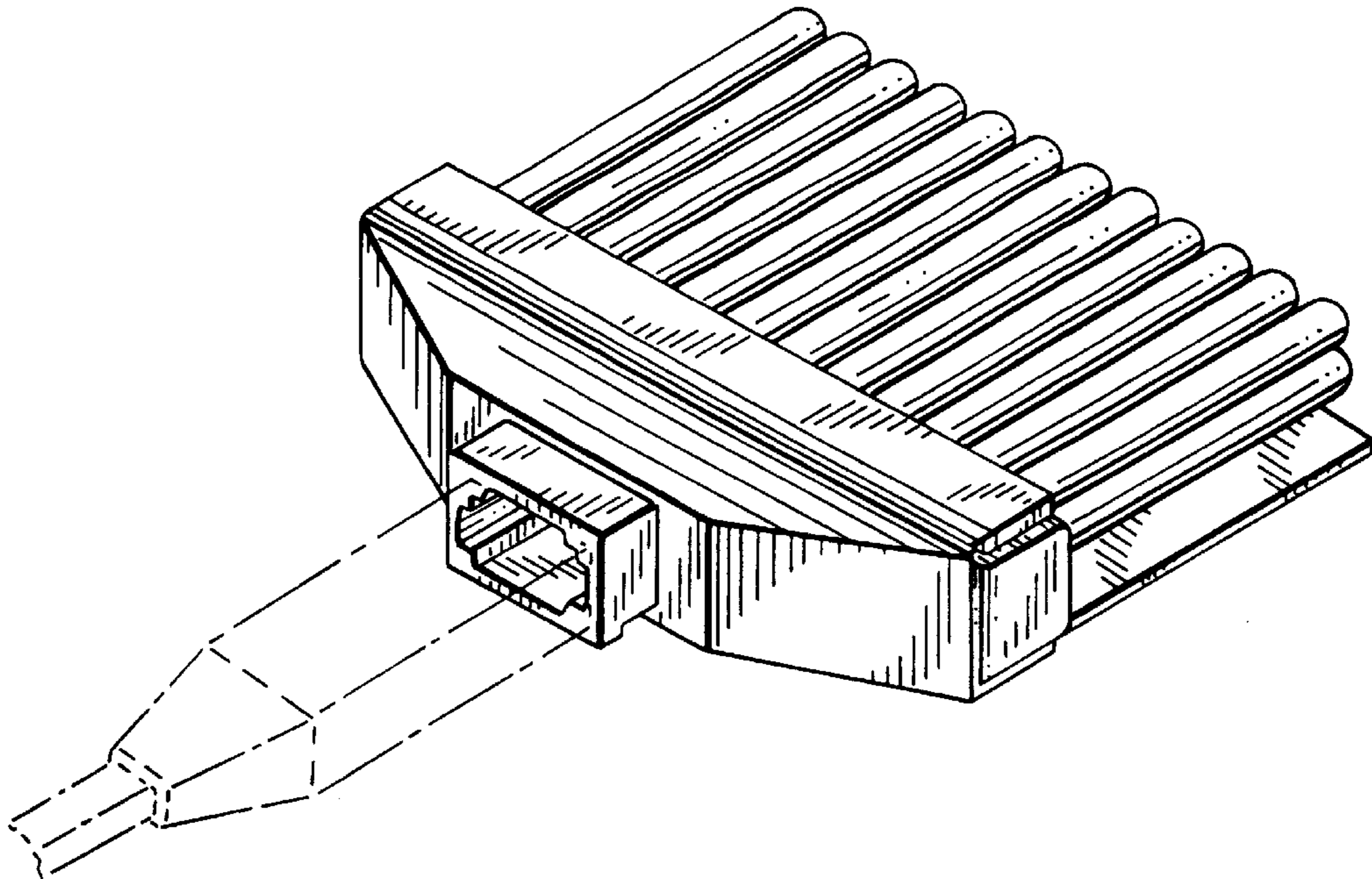
(57) **CLAIM**

We claim the ornamental design for a communication module, as shown and described.

**DESCRIPTION**

FIG. 1 is a perspective view illustrating the top, front and right side of a design for the communication module, the broken-line disclosure of a connector being for illustrative purposes only and forming no part of the claimed design; FIG. 2 is a front elevational view thereof, the broken-line disclosure being for illustrative purposes only and forming no part of the claimed design; FIG. 3 is a top plan view thereof; FIG. 4 is a right side elevational view thereof, with the opposite side being a mirror image; FIG. 5 is a rear elevational view thereof; FIG. 6 is a bottom plan view thereof; and, FIG. 7 is a front elevational view thereof, without the broken line disclosure illustrated in FIG. 2.

**1 Claim, 4 Drawing Sheets**



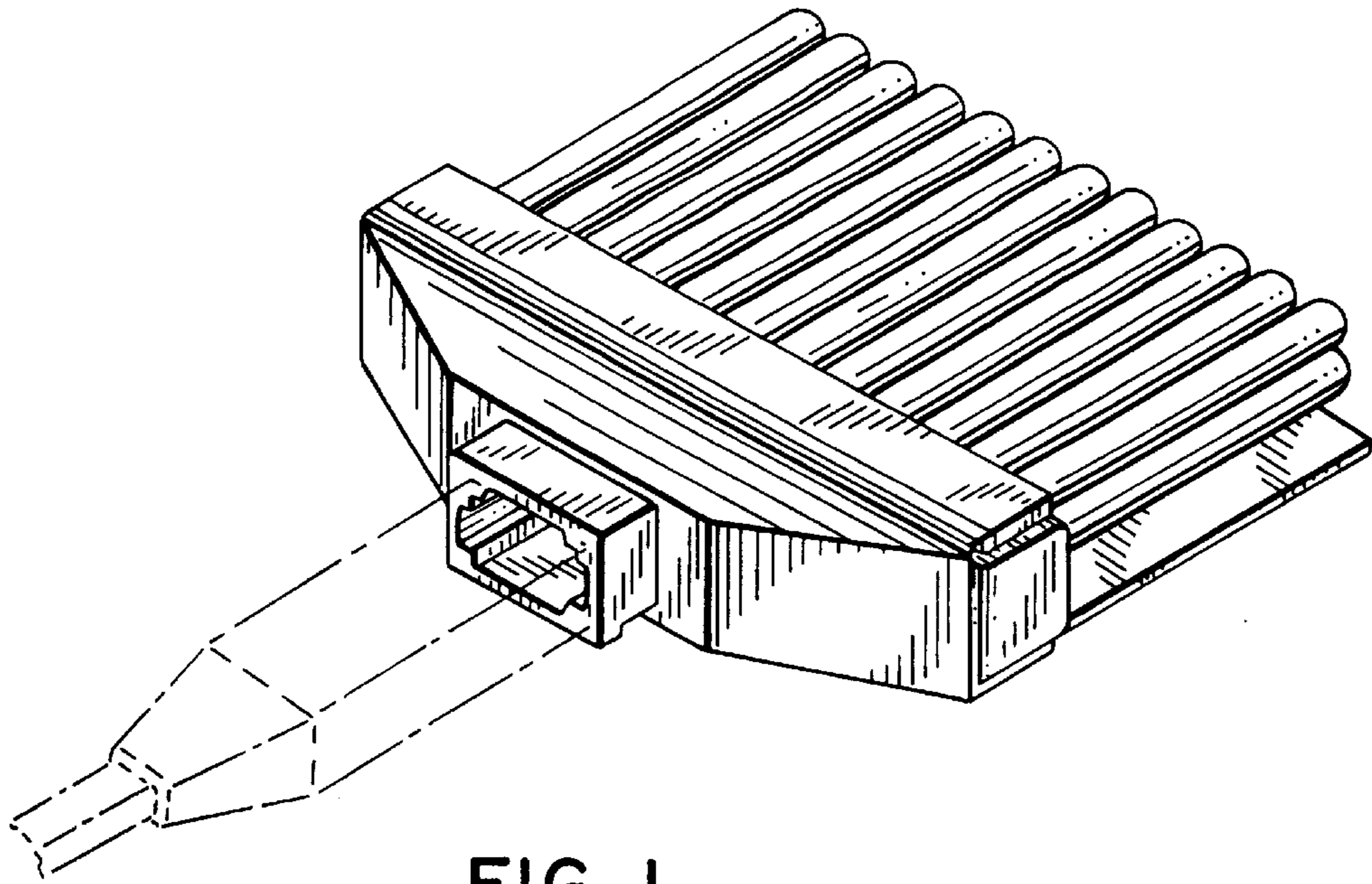


FIG. 1

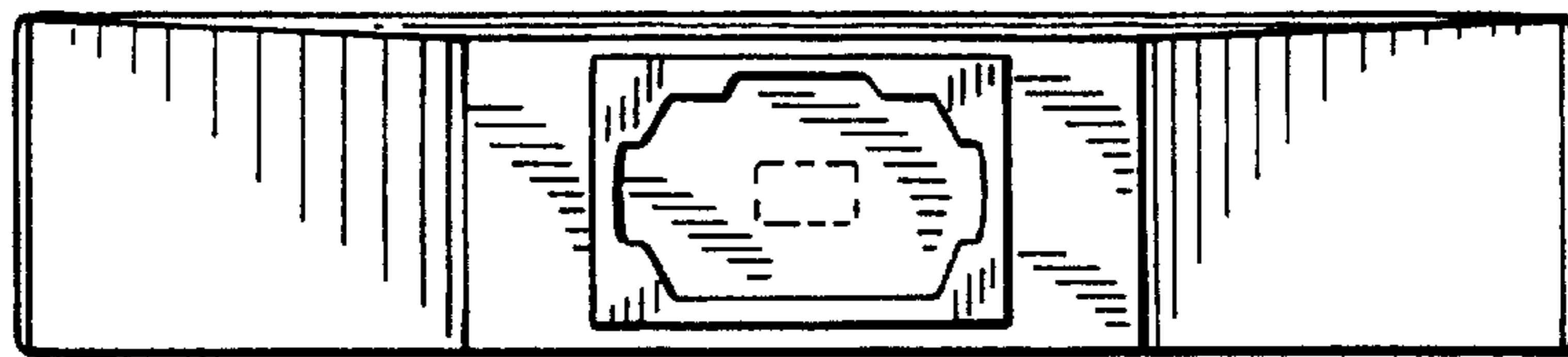


FIG. 2

FIG. 3

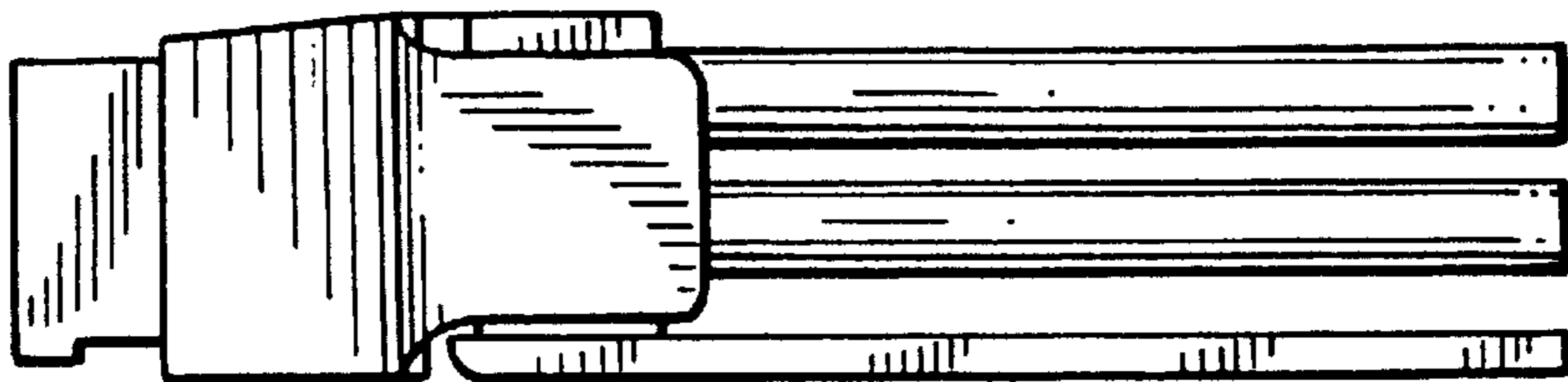
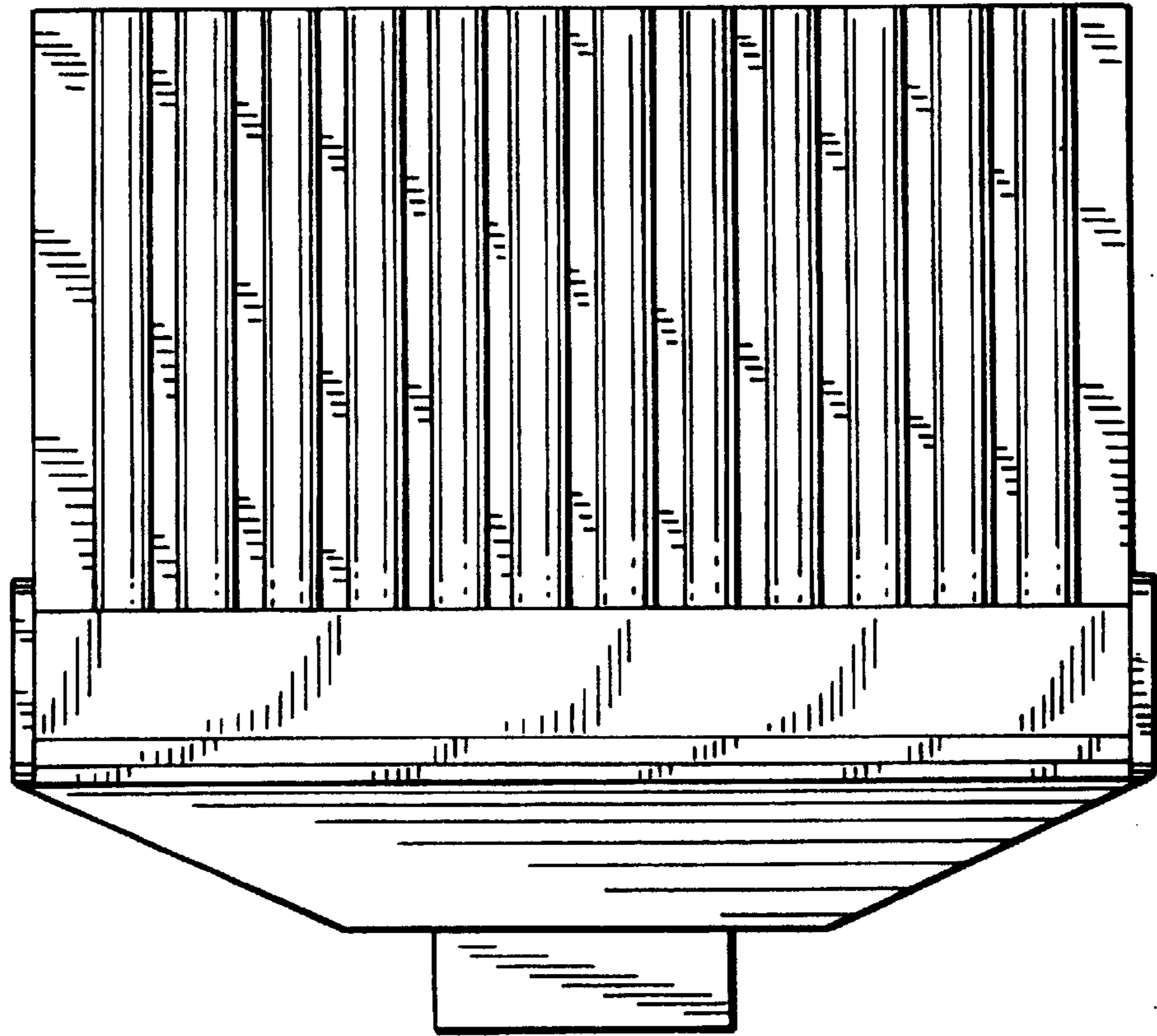


FIG. 4

FIG. 5

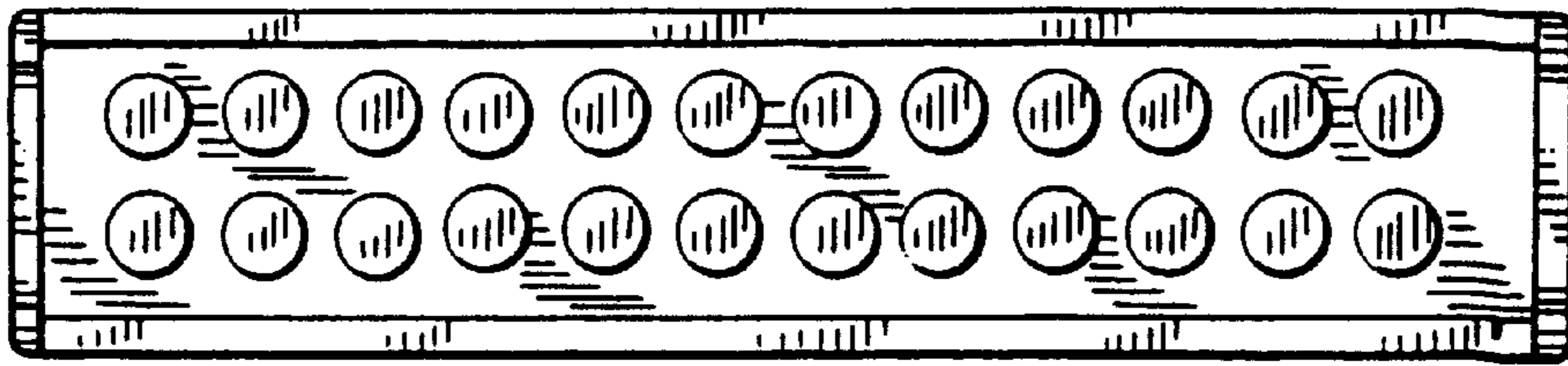


FIG. 6

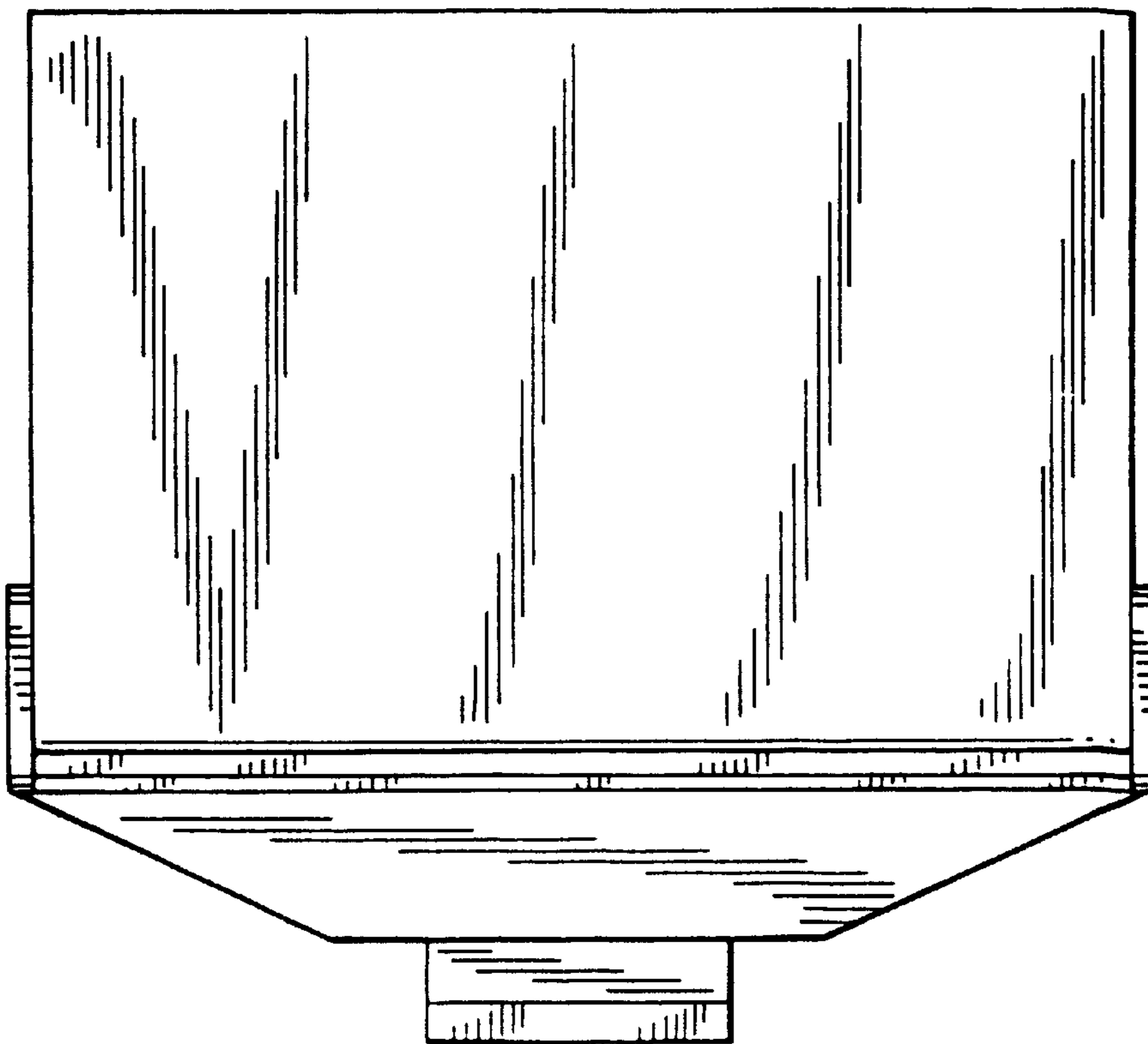


FIG. 7

