



US00D466863S

(12) **United States Design Patent**
Zurwelle et al.

(10) **Patent No.:** **US D466,863 S**

(45) **Date of Patent:** **** Dec. 10, 2002**

(54) **LATCH ARRANGEMENT FOR A BATTERY PACK**

(75) Inventors: **Donald W. Zurwelle**, Lutherville, MD (US); **Paul S. White**, Ellicott City, MD (US); **Michael J. Agnes**, Bel Air, MD (US)

(73) Assignee: **Black & Decker Inc.**, Newark, DE (US)

(**) Term: **14 Years**

(21) Appl. No.: **29/140,319**

(22) Filed: **Apr. 16, 2001**

Related U.S. Application Data

(63) Continuation of application No. 29/126,996, filed on Jul. 28, 2000, which is a continuation of application No. 29/108,496, filed on Jul. 28, 1999, now Pat. No. Des. 432,077.

(51) **LOC (7) Cl.** **13-02**

(52) **U.S. Cl.** **D13/119**

(58) **Field of Search** D13/103, 119;
429/96-100, 159, 163, 174

(56) **References Cited**

U.S. PATENT DOCUMENTS

- D304,152 S * 10/1989 Kmetz D8/68
- D304,822 S * 11/1989 Fushiya et al. D13/103

- D321,338 S * 11/1991 Sakamoto et al. D13/103
- D323,606 S * 2/1992 Chang D8/68
- 5,213,913 A * 5/1993 Anthony, III et al. 292/87
- D384,639 S * 10/1997 Kawakami et al. D13/103
- D387,728 S * 12/1997 Kawakami et al. D13/103
- D412,485 S * 8/1999 Kato et al. D13/103
- D417,648 S * 12/1999 Clowers et al. D13/103
- 6,007,939 A * 12/1999 Clowers 429/99
- D432,077 S * 10/2000 Zurwelle et al. D13/103
- 6,168,881 B1 * 1/2001 Fischer et al. 429/97

* cited by examiner

Primary Examiner—Joel Sincavage

(74) *Attorney, Agent, or Firm*—Adan Ayala

(57) **CLAIM**

The ornamental design for a latch arrangement for a battery pack, as shown and described.

DESCRIPTION

FIG. 1 is a front perspective view of a latch arrangement for a battery pack showing our new design;

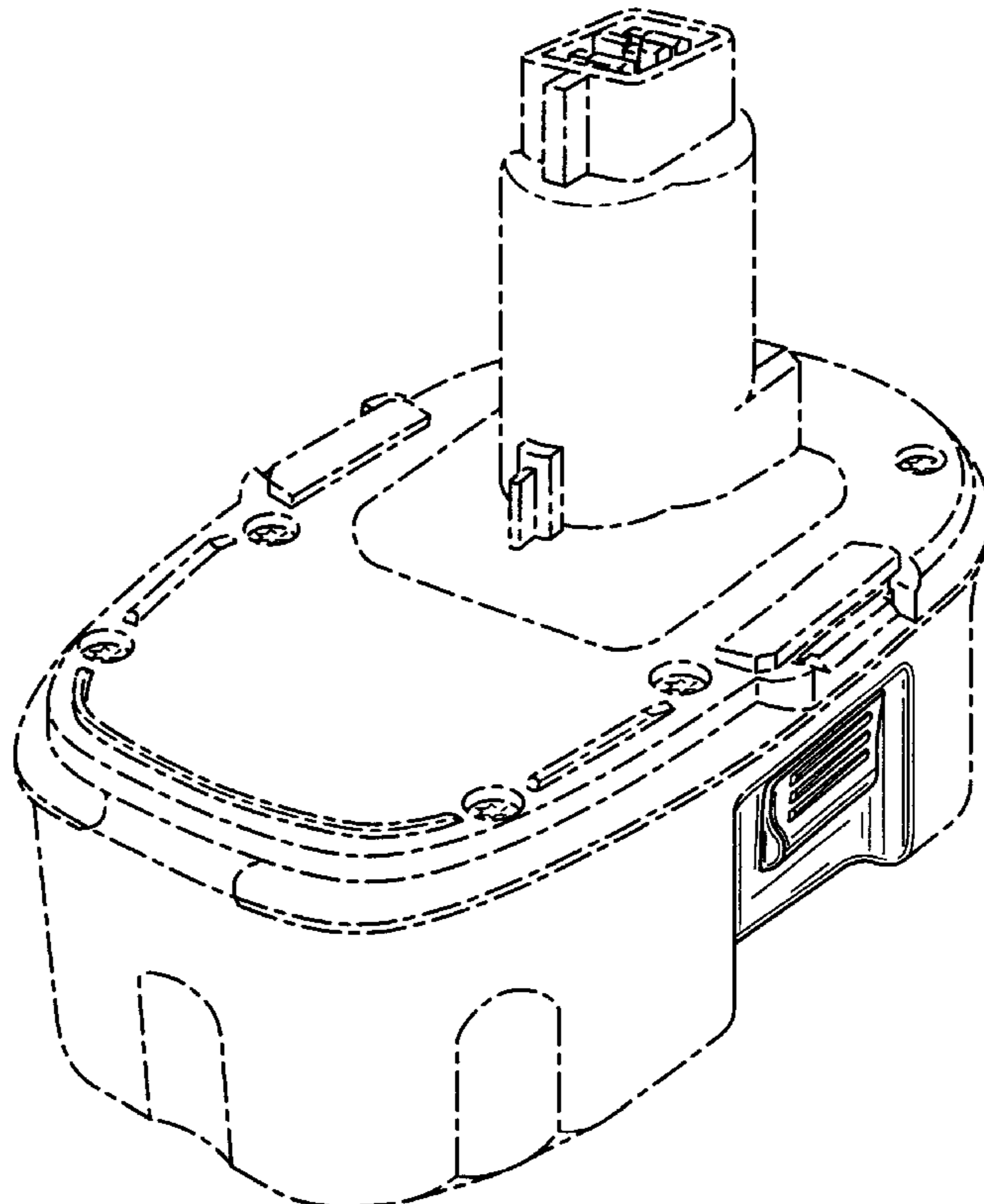
FIG. 2 is a bottom plan view of the latch arrangement;

FIG. 3 is a left side elevational view of the latch arrangement; and,

FIG. 4 is a right side elevational view of the latch arrangement.

In the above drawings, any broken line illustration is not part of the design sought to be patented. In addition, any views not shown thereof do not form a part of the invention.

1 Claim, 4 Drawing Sheets



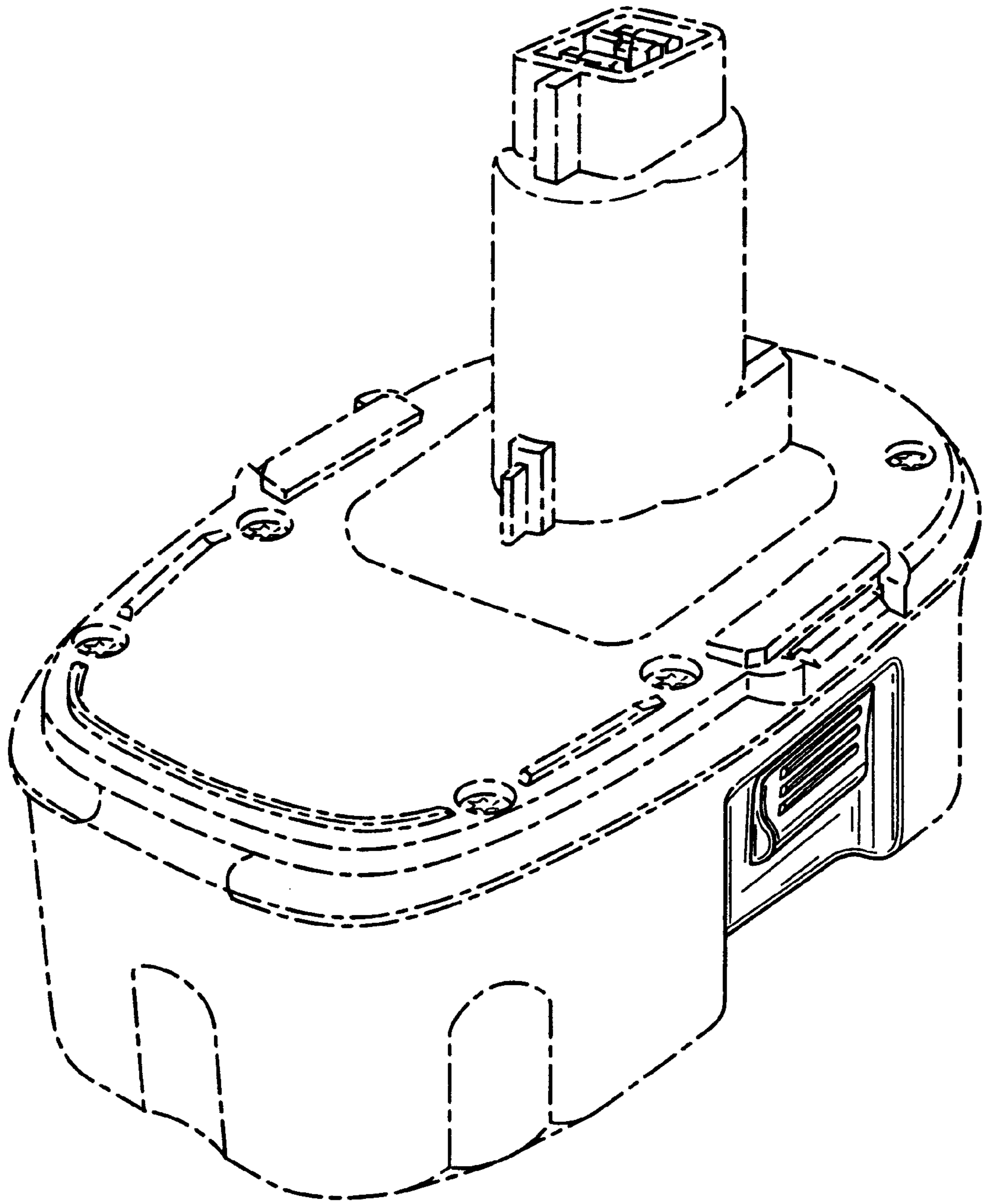


FIG. 1

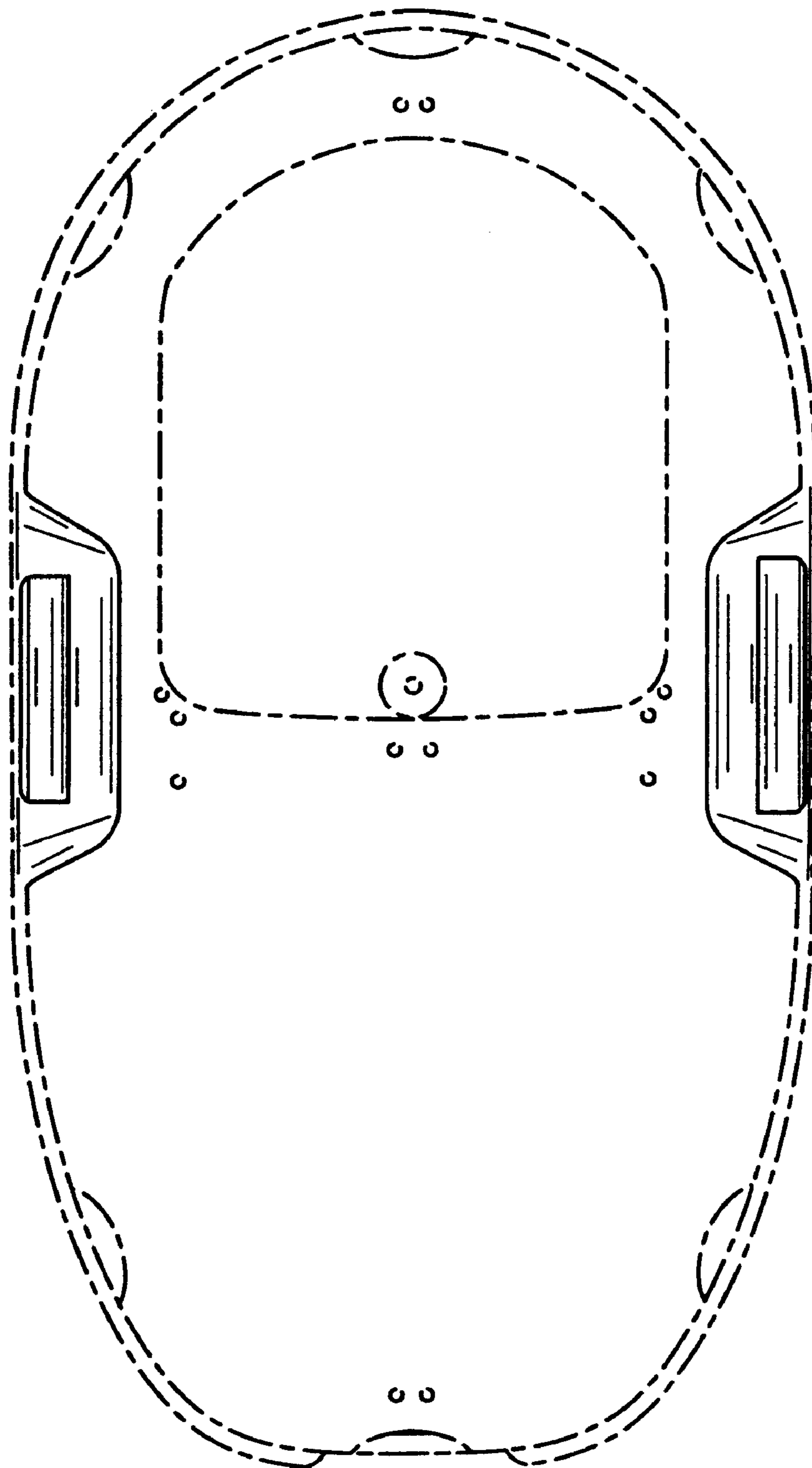


FIG. 2

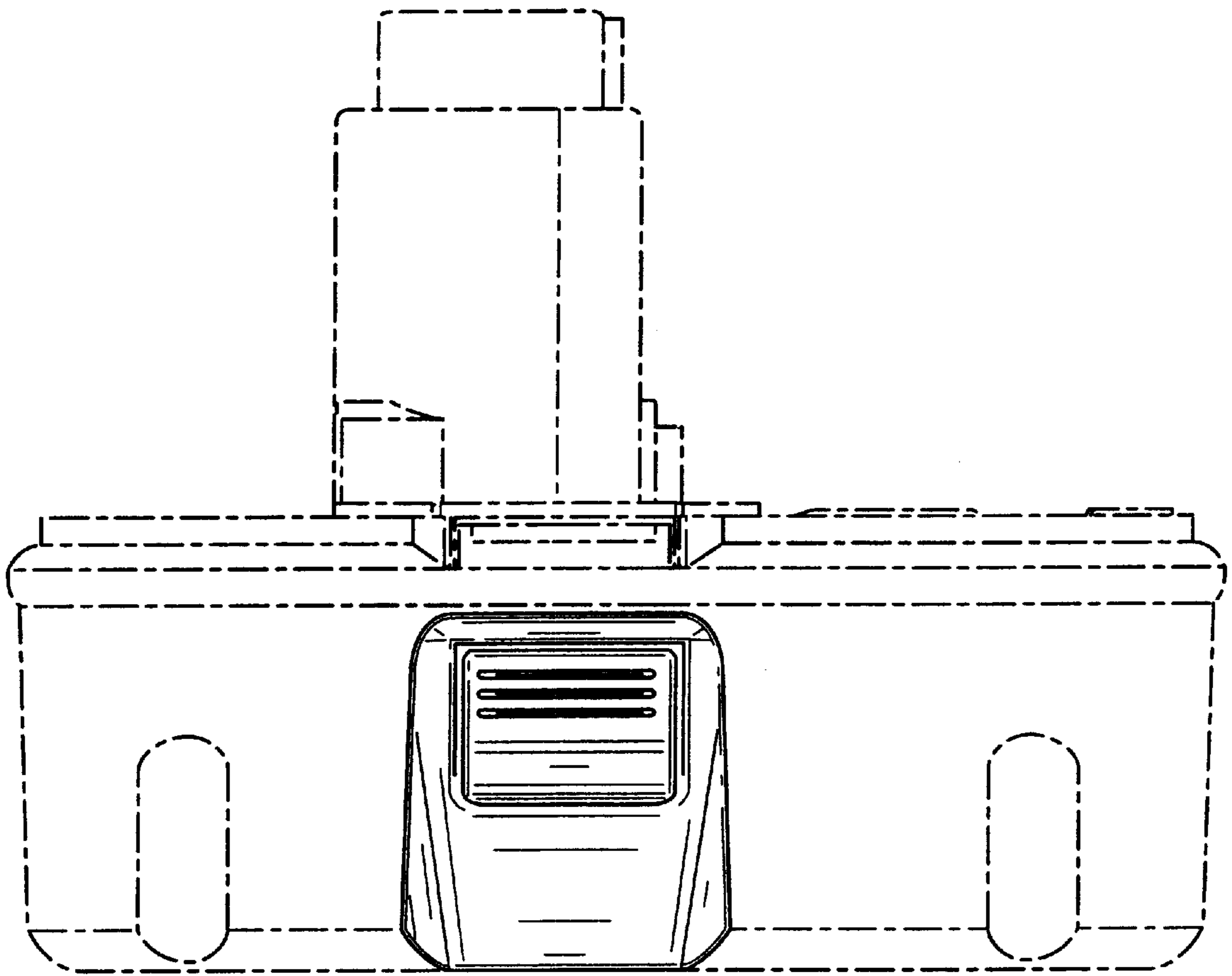


FIG. 3

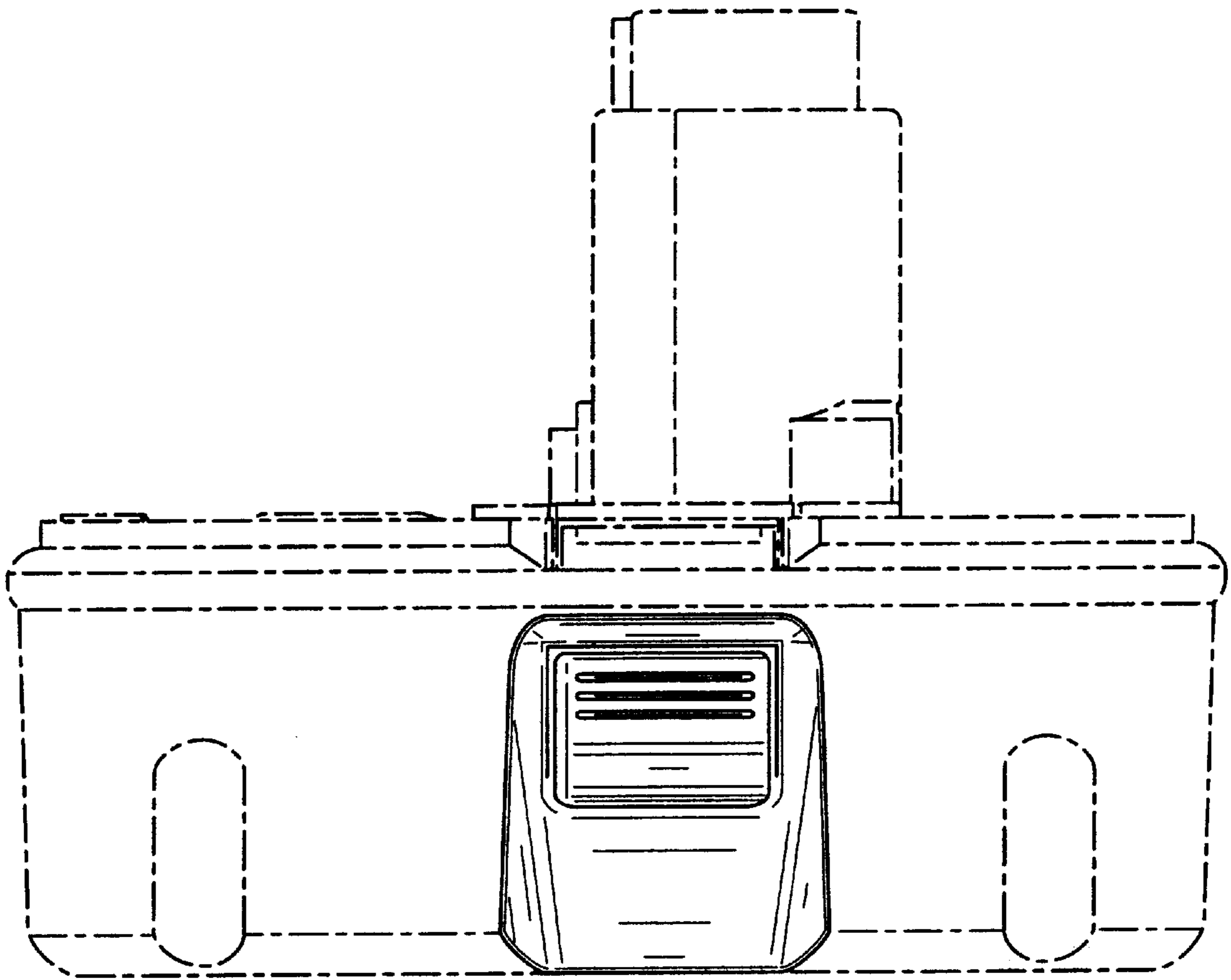


FIG. 4