



US00D466856S

(12) **United States Design Patent**  
**Gates et al.**

(10) **Patent No.:** **US D466,856 S**

(45) **Date of Patent:** **\*\* Dec. 10, 2002**

(54) **ACCESSORY MOUNT FOR RECREATIONAL VEHICLE**

(75) **Inventors:** **George D. Gates**, West Jordan, UT (US); **Travis D. Gates**, West Jordan, UT (US)

(73) **Assignee:** **All Rite Products, Inc.**, West Jordan, UT (US)

(\*\*) **Term:** **14 Years**

(21) **Appl. No.:** **29/154,936**

(22) **Filed:** **Feb. 1, 2002**

(51) **LOC (7) Cl.** ..... **12-06**

(52) **U.S. Cl.** ..... **D12/223**

(58) **Field of Search** ..... D12/223, 106, D12/400; 248/517, 534, 535, 276.1, 284.1, 311.2

(56) **References Cited**

**U.S. PATENT DOCUMENTS**

- 1,312,947 A 8/1919 Billington
- 2,705,603 A 4/1955 Bitz et al.
- 4,595,165 A 6/1986 Klingensmith et al.
- 4,711,422 A 12/1987 Ibanez

- 4,842,174 A 6/1989 Sheppard et al.
- 5,431,364 A 7/1995 Etter
- 5,551,660 A 9/1996 Leduchowski
- D380,436 S \* 7/1997 Nimpoeno et al. .... D12/223
- D411,207 S 6/1999 Richter
- D419,415 S 1/2000 Richter
- D435,008 S \* 12/2000 Ball et al. .... D12/400
- D448,333 S \* 9/2001 Stenzel ..... D12/187

\* cited by examiner

*Primary Examiner*—Melody N. Brown

(74) *Attorney, Agent, or Firm*—Thorpe North Western

(57) **CLAIM**

The ornamental design for an accessory mount for recreational vehicle.

**DESCRIPTION**

FIG. 1 is a left front perspective view of an accessory mount for recreational vehicle.

FIG. 2 is a left side view of an accessory mount.

FIG. 3 is a right side view of an accessory mount.

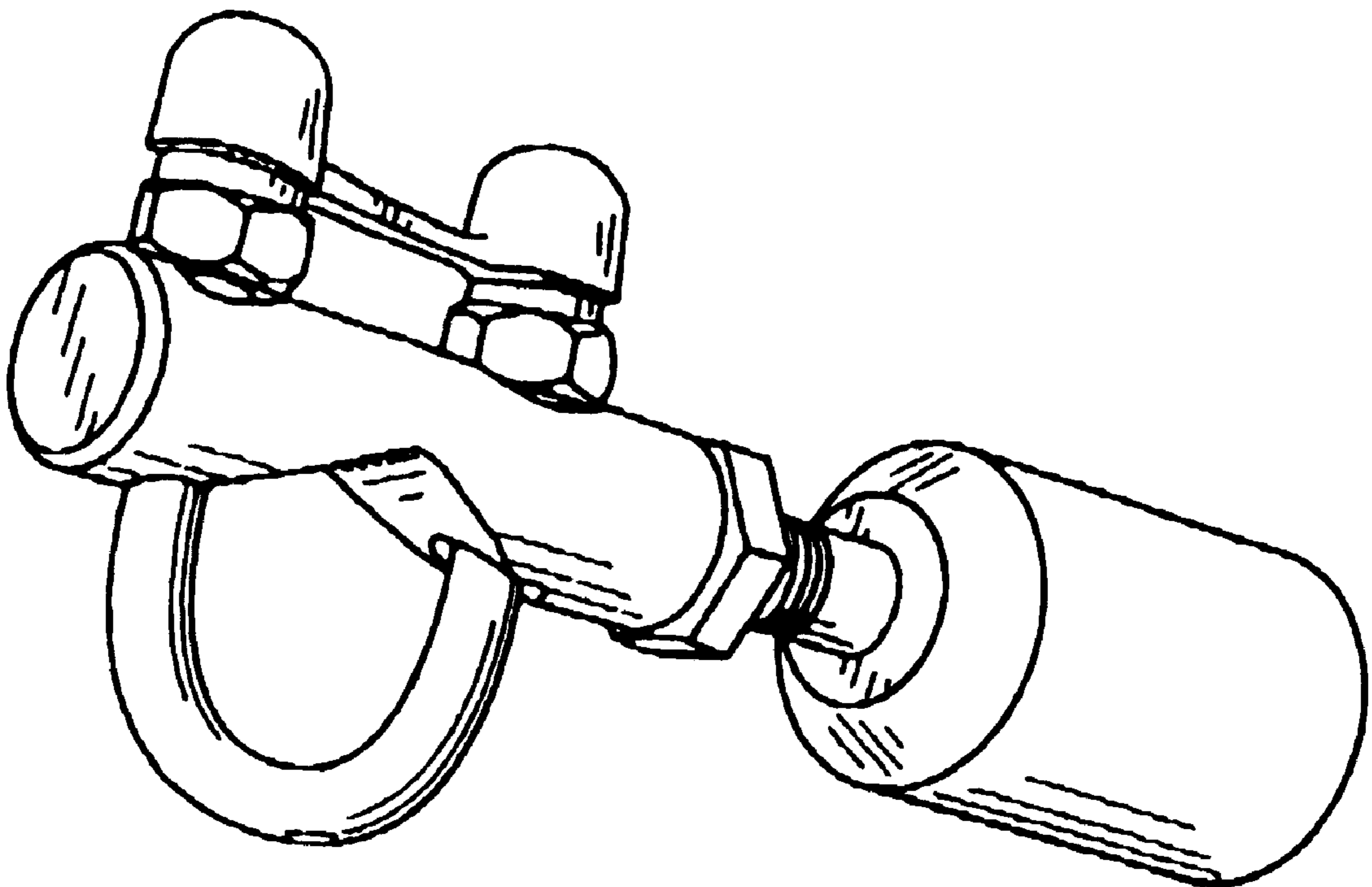
FIG. 4 is a top view of an accessory mount.

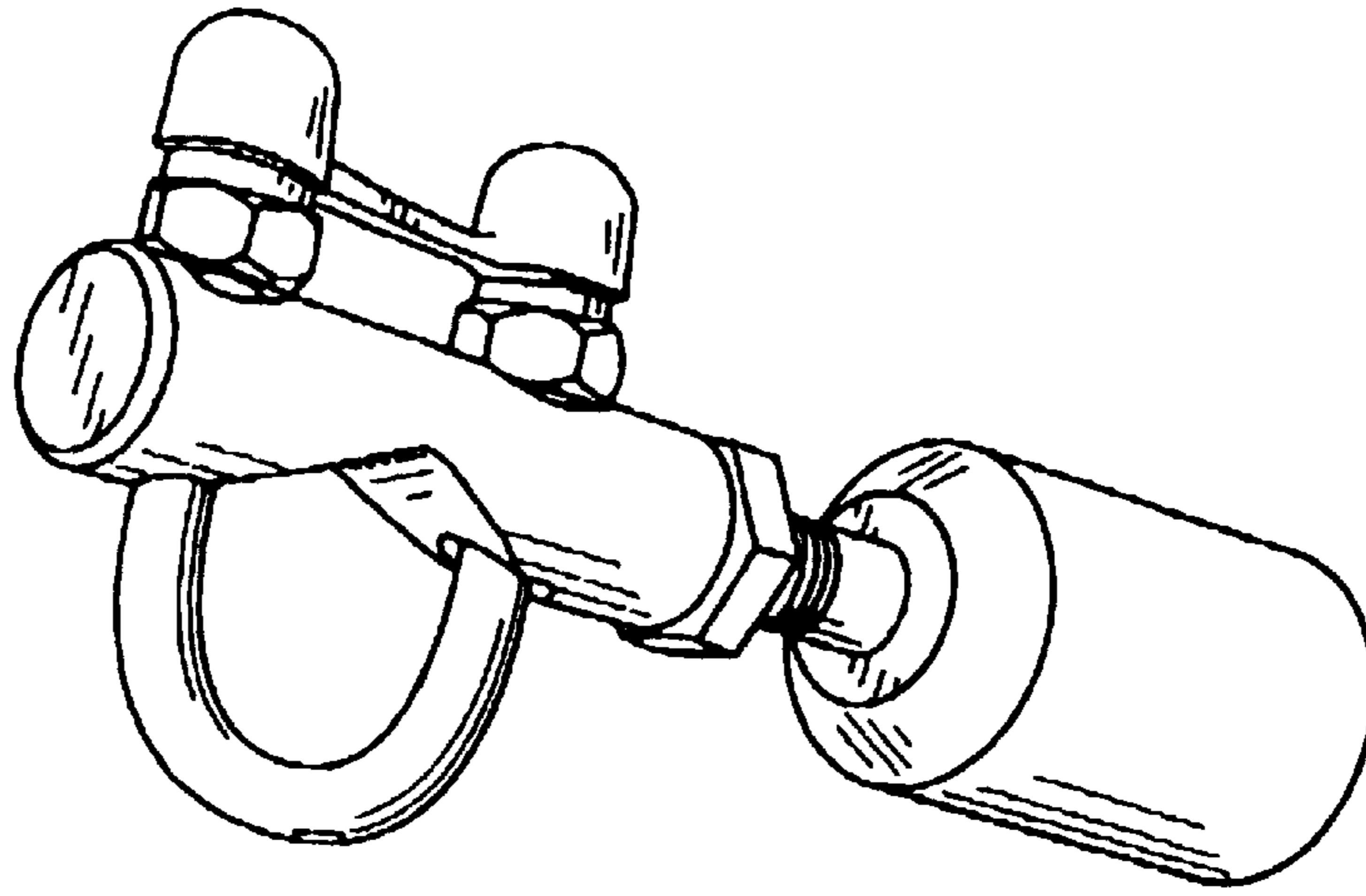
FIG. 5 is a bottom view of an accessory mount.

FIG. 6 is a front view of an accessory mount; and,

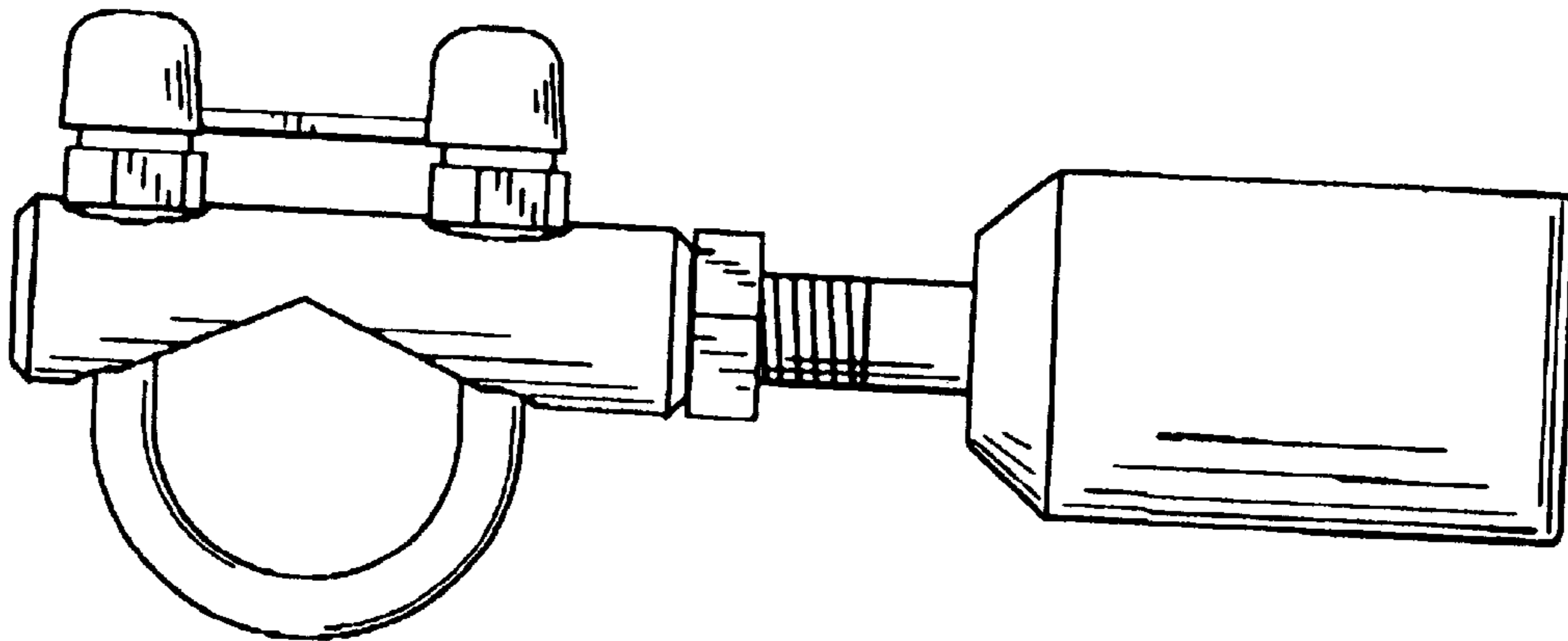
FIG. 7 is a rear view of an accessory mount.

**1 Claim, 2 Drawing Sheets**

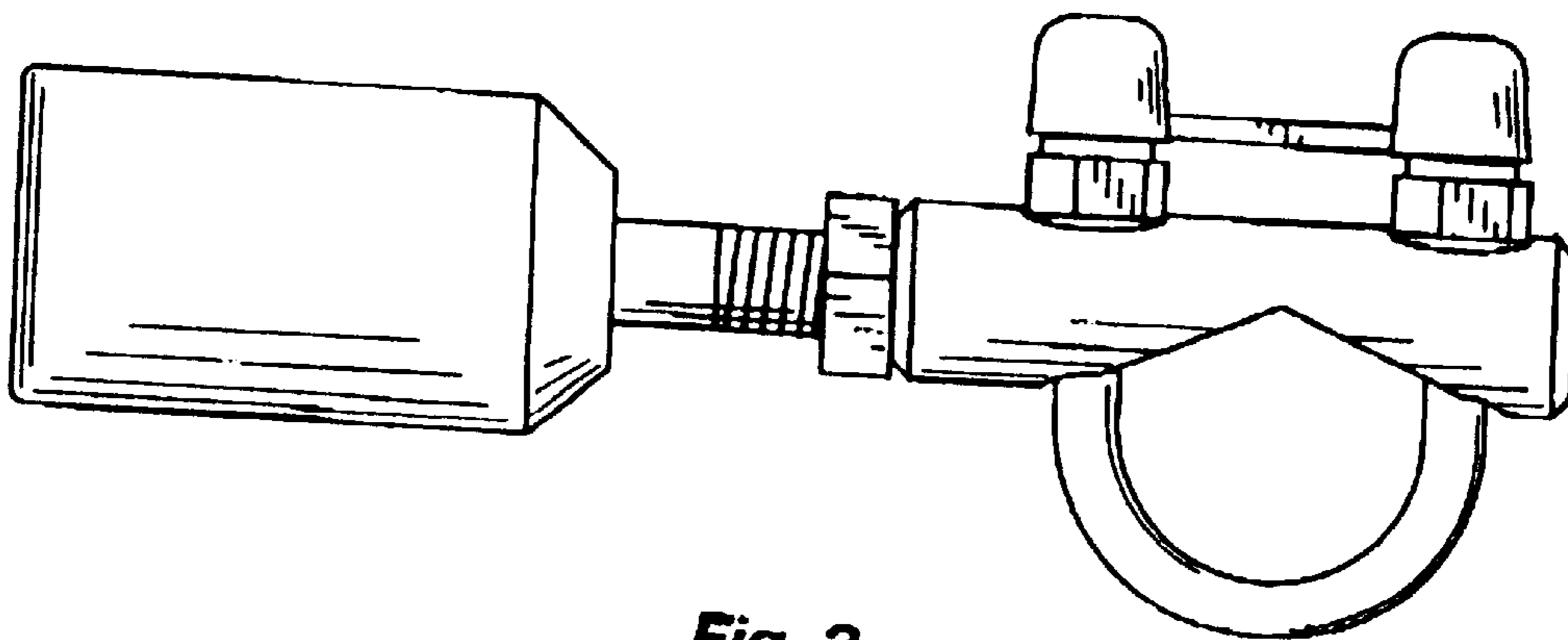




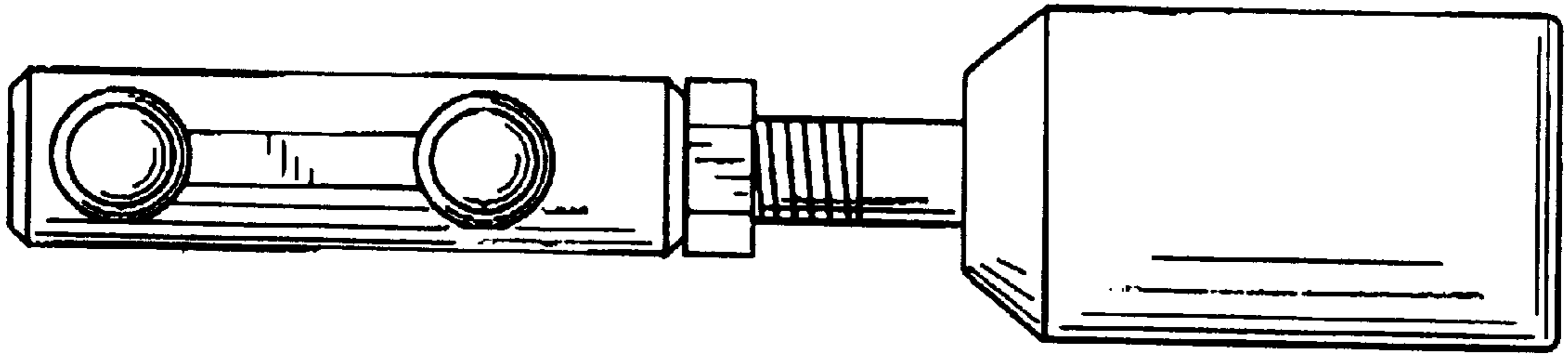
**Fig. 1**



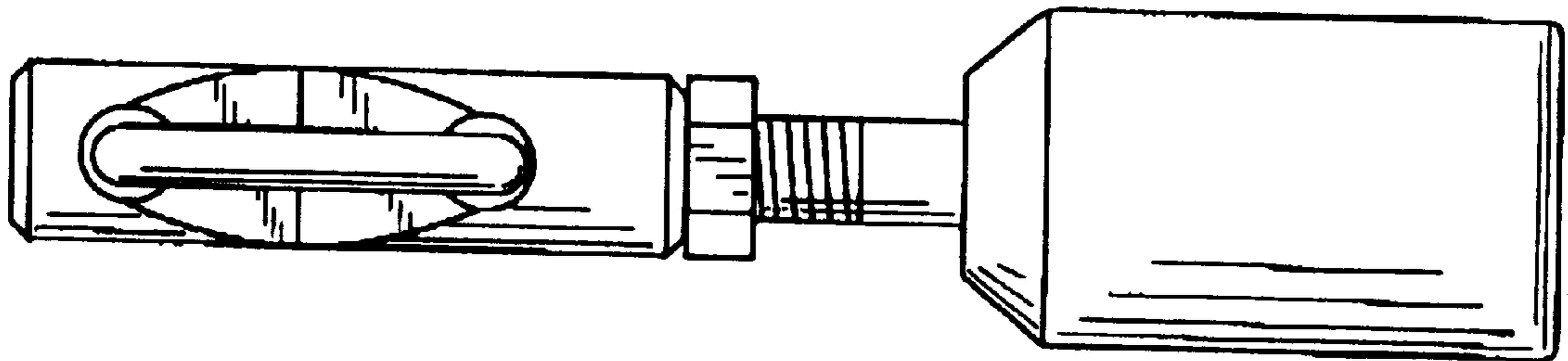
**Fig. 2**



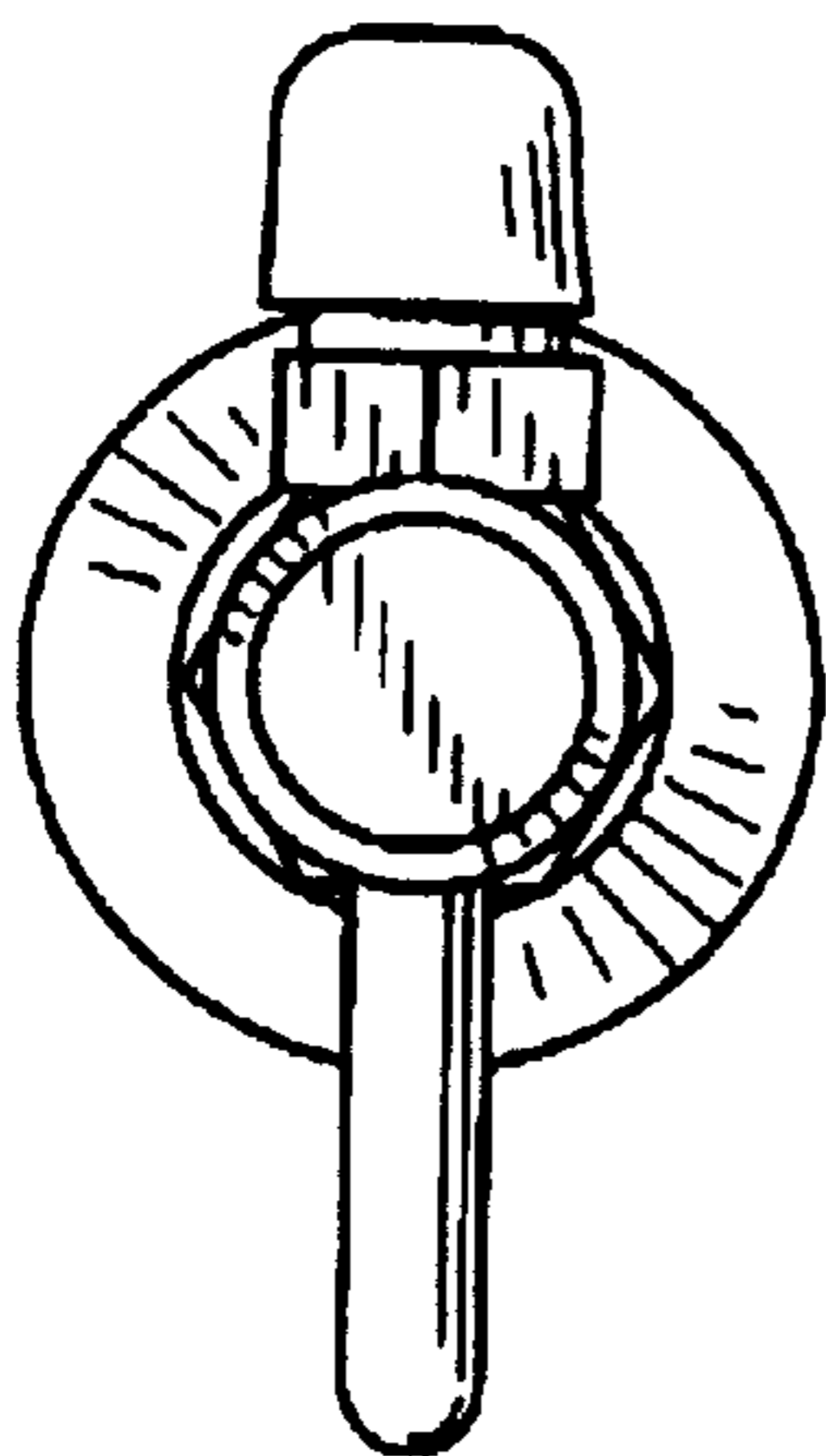
**Fig. 3**



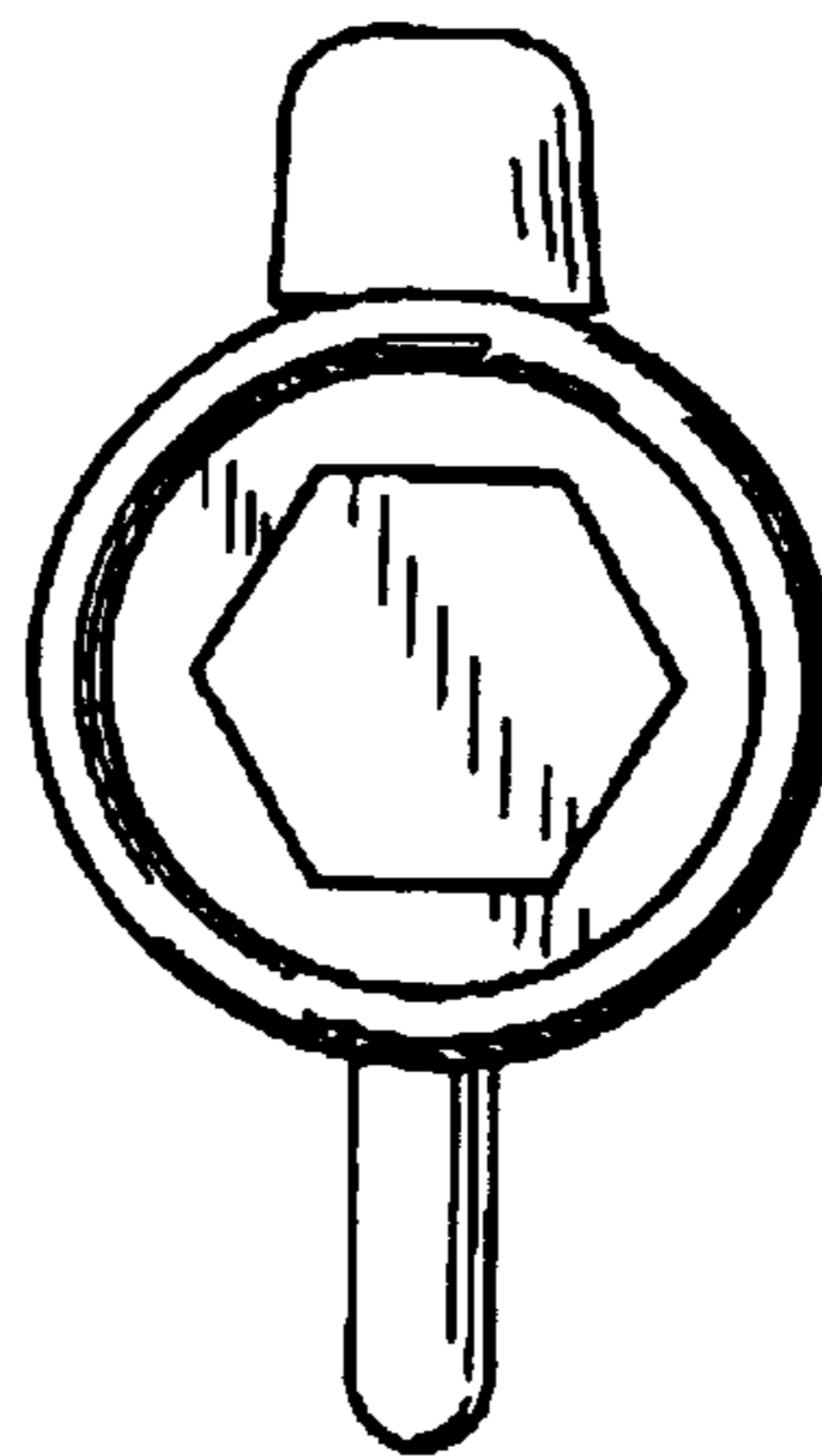
**Fig. 4**



**Fig. 5**



**Fig. 6**



**Fig. 7**