



US00D466854S

(12) **United States Design Patent**  
**Kern**

(10) **Patent No.:** **US D466,854 S**

(45) **Date of Patent:** **\*\* Dec. 10, 2002**

(54) **WHEEL**

(75) **Inventor:** **Steven J. Kern**, Palatine, IL (US)

(73) **Assignee:** **GB Automotive Products, Inc.**,  
Hawthorne, CA (US)

(\*\*) **Term:** **14 Years**

(21) **Appl. No.:** **29/151,925**

(22) **Filed:** **Oct. 26, 2001**

(51) **LOC (7) Cl.** ..... **12-16**

(52) **U.S. Cl.** ..... **D12/211**

(58) **Field of Search** ..... D12/204-211;  
301/37.1, 64.1, 65

(56) **References Cited**

**U.S. PATENT DOCUMENTS**

D204,669 S	5/1966	Goodwin	.....	D14/30
D207,001 S	2/1967	Fenton	.....	D14/30
D216,507 S	1/1970	Whitney	.....	D14/30
D258,503 S	* 3/1981	Semple	.....	D12/211
D347,203 S	5/1994	Buyze et al.	.....	D12/211
D367,460 S	2/1996	Chung	.....	D12/209
D381,618 S	7/1997	Suprihanto	.....	D12/209
D386,461 S	11/1997	Neeper	.....	D12/209
D392,611 S	* 3/1998	Echazabal et al.	.....	D12/211
D403,644 S	1/1999	Elbertse et al.	.....	D12/209

D409,552 S	* 5/1999	Chung	.....	D12/211
D409,553 S	5/1999	Neeper	.....	D12/211
D416,532 S	* 11/1999	Cullen	.....	D12/209
D421,417 S	* 3/2000	Weidhase	.....	D12/209
D428,378 S	7/2000	Lee	.....	D12/209
D431,514 S	* 10/2000	Cullen	.....	D12/209
D432,481 S	10/2000	Brown	.....	D12/209
D436,570 S	1/2001	Lee	.....	D12/209
D445,083 S	* 7/2001	Chung	.....	D12/211
D445,752 S	7/2001	Lee	.....	D12/211
D447,993 S	* 9/2001	Neeper	.....	D12/211
D450,650 S	* 11/2001	Cinibulk	.....	D12/211
D451,463 S	* 12/2001	Murkett et al.	.....	D12/209

\* cited by examiner

*Primary Examiner*—Stacia Cadmus

(74) *Attorney, Agent, or Firm*—Stetina Brunda Garred & Brucker

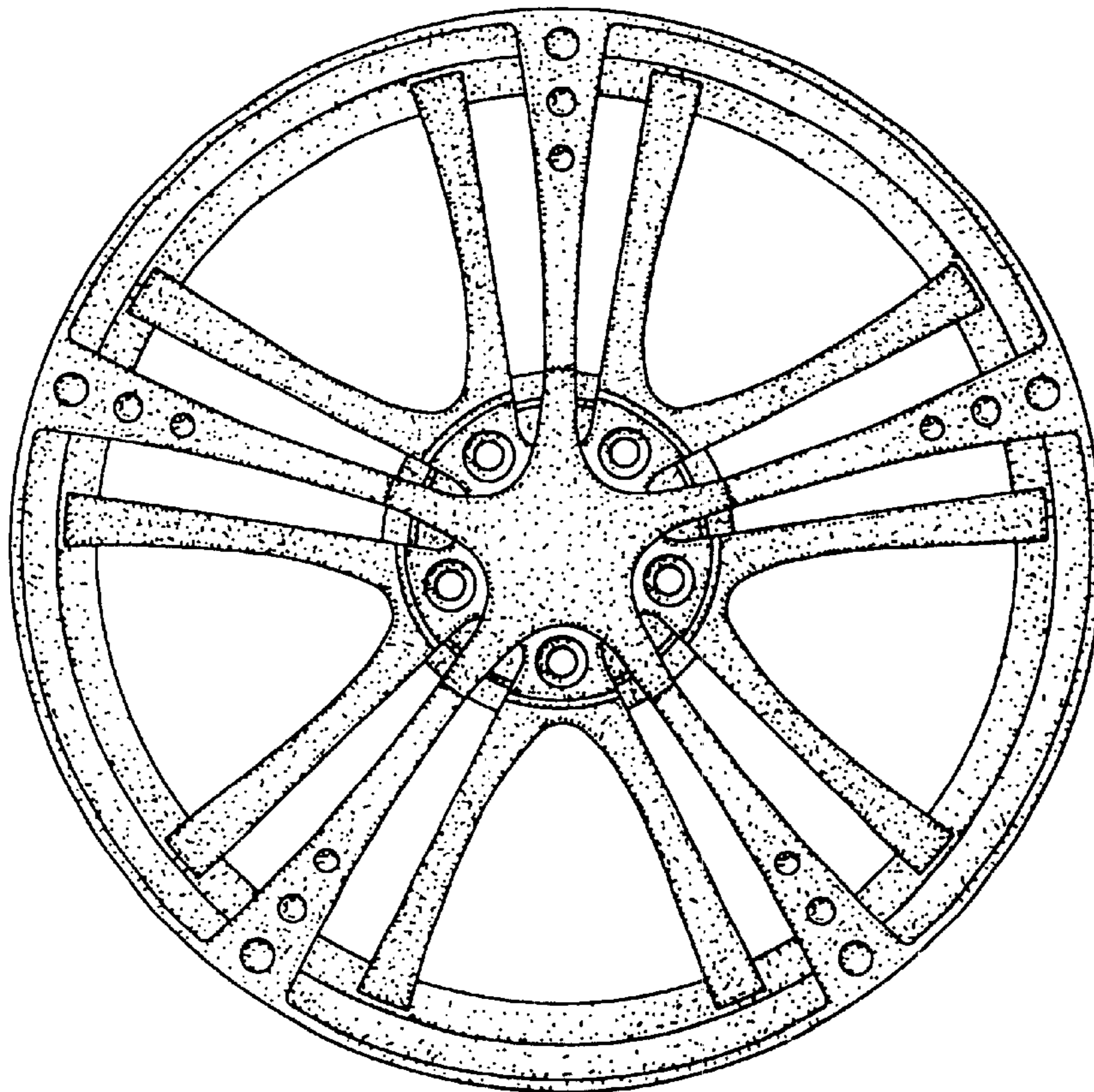
(57) **CLAIM**

The ornamental design for a wheel, as shown and described.

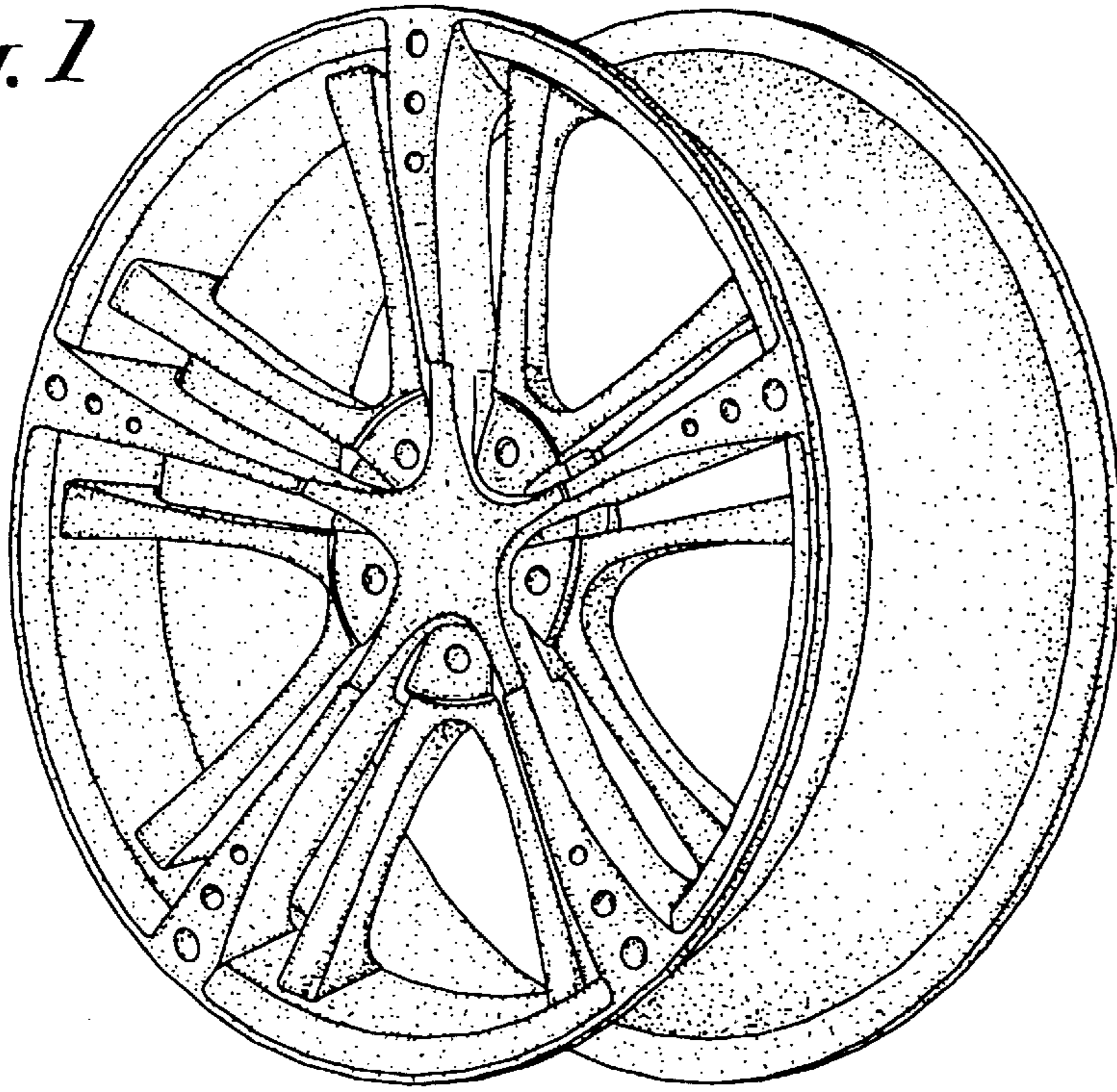
**DESCRIPTION**

FIG. 1 is a front perspective view of the wheel invention showing my new design;  
FIG. 2 is a front elevational view of the wheel invention showing my new design; and,  
FIG. 3 is a side elevational view thereof.

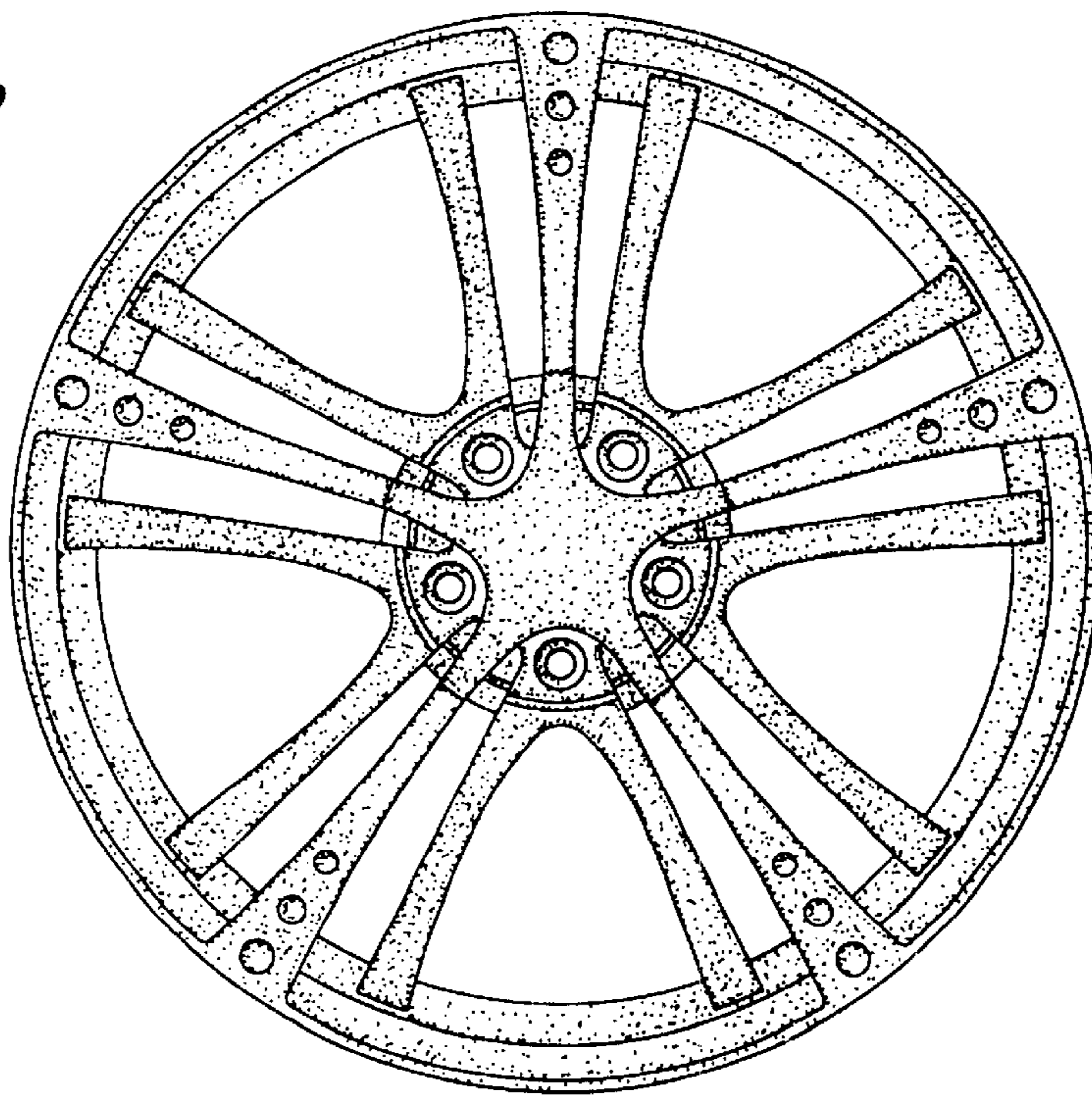
**1 Claim, 2 Drawing Sheets**



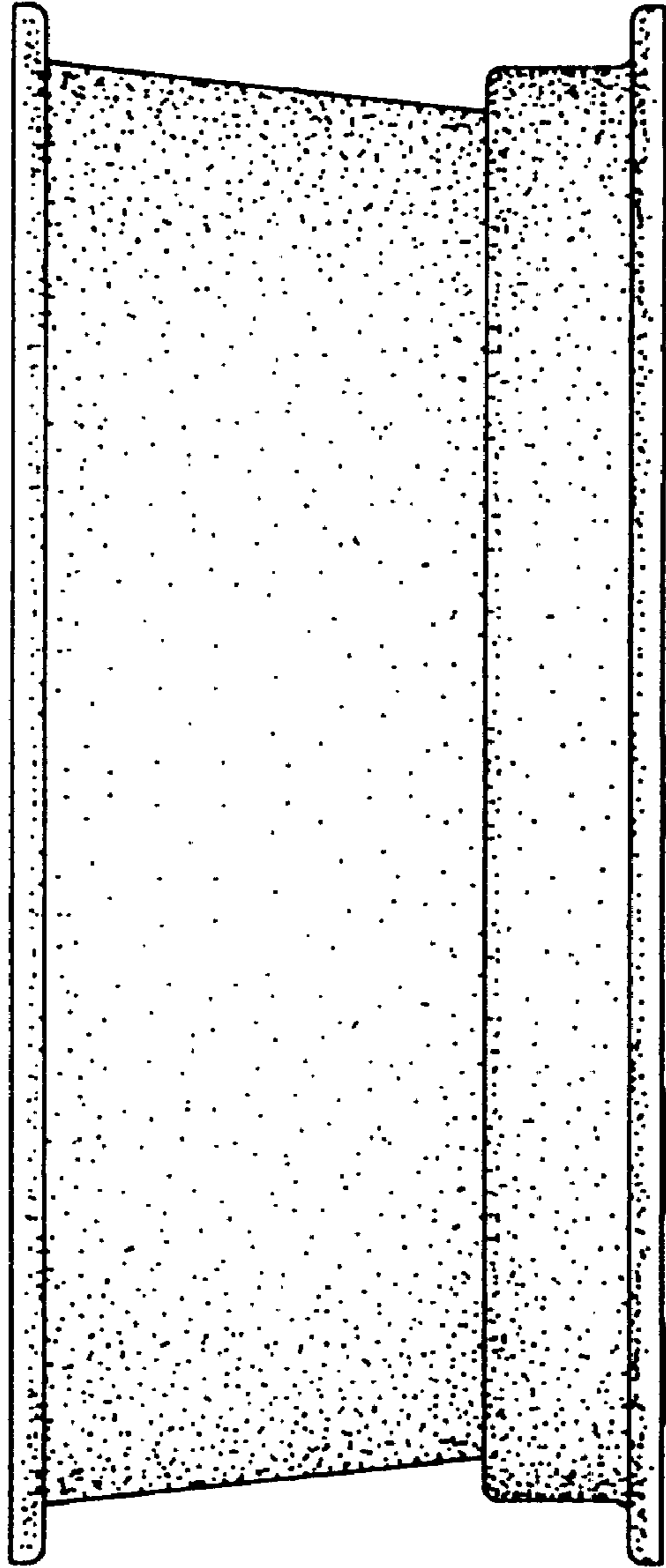
*Fig. 1*



*Fig. 2*







*Fig. 3*