

US00D466852S

(12) **United States Design Patent**  
**Pfeiffer et al.**

(10) **Patent No.:** **US D466,852 S**

(45) **Date of Patent:** **\*\* Dec. 10, 2002**

(54) **FRONT FACE OF A VEHICLE WHEEL**

(75) **Inventors:** **Peter Pfeiffer**, Boeblingen (DE); **Murat Guenak**, Ehningen (DE); **Hans-Dieter Futschik**, Gechingen (DE)

(73) **Assignee:** **DaimlerChrysler AG**, Stuttgart (DE)

(\*\*) **Term:** **14 Years**

(21) **Appl. No.:** **29/144,675**

(22) **Filed:** **Jul. 10, 2001**

(30) **Foreign Application Priority Data**

Jan. 11, 2001 (DE) ..... 401 00 128

(51) **LOC (7) Cl.** ..... **12-16**

(52) **U.S. Cl.** ..... **D12/211**

(58) **Field of Search** ..... D12/204-211;  
301/37.101, 64.101, 65

(56) **References Cited**

**U.S. PATENT DOCUMENTS**

D336,886 S	*	6/1993	Mikawa	.....	D12/211
D350,523 S	*	9/1994	Mobius	.....	D12/209
D421,590 S	*	3/2000	Sacco et al.	.....	D12/209
D430,525 S	*	9/2000	Lampkin	.....	D12/211
D432,970 S	*	10/2000	Pfeiffer et al.	.....	D12/209
D439,212 S	*	3/2001	Neeper	.....	D12/211
D448,715 S	*	10/2001	Hartl	.....	D12/211

D451,466 S	*	12/2001	Fujii	.....	D12/211
D455,109 S	*	4/2002	Foose	.....	D12/211
D457,847 S	*	5/2002	Neeper	.....	D12/209
D459,690 S	*	7/2002	Bintoro	.....	D12/211
D459,691 S	*	7/2002	Takechi	.....	D12/211
D460,937 S	*	7/2002	Nakazawa et al.	.....	D12/209

\* cited by examiner

*Primary Examiner*—Stacia Cadmus

(74) *Attorney, Agent, or Firm*—Crowell & Moring LLP

(57) **CLAIM**

The ornamental design for a front face of a vehicle wheel, as shown and described.

**DESCRIPTION**

FIG. 1 is a front view of a first embodiment of a front face of a vehicle wheel according to our novel design;

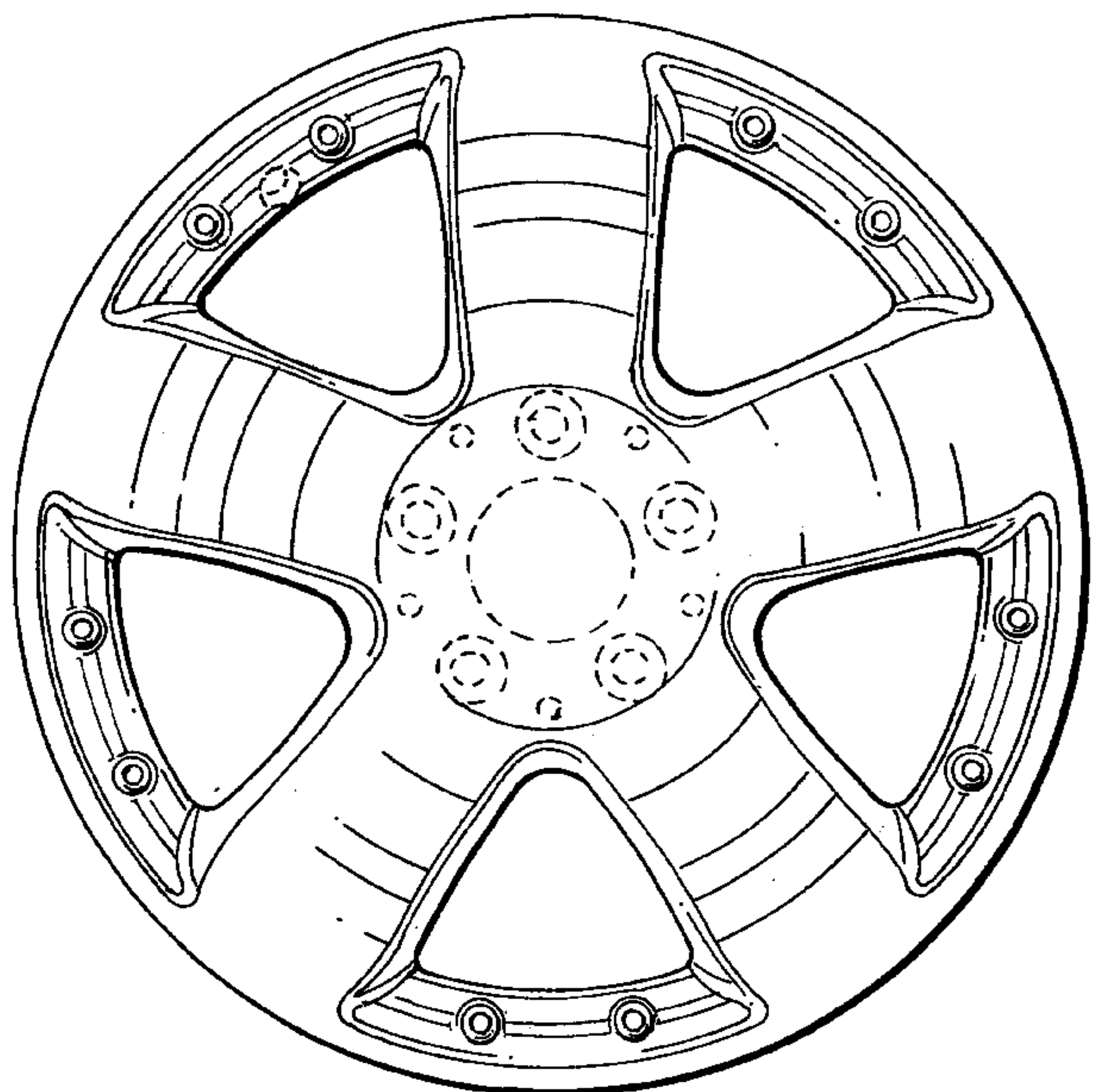
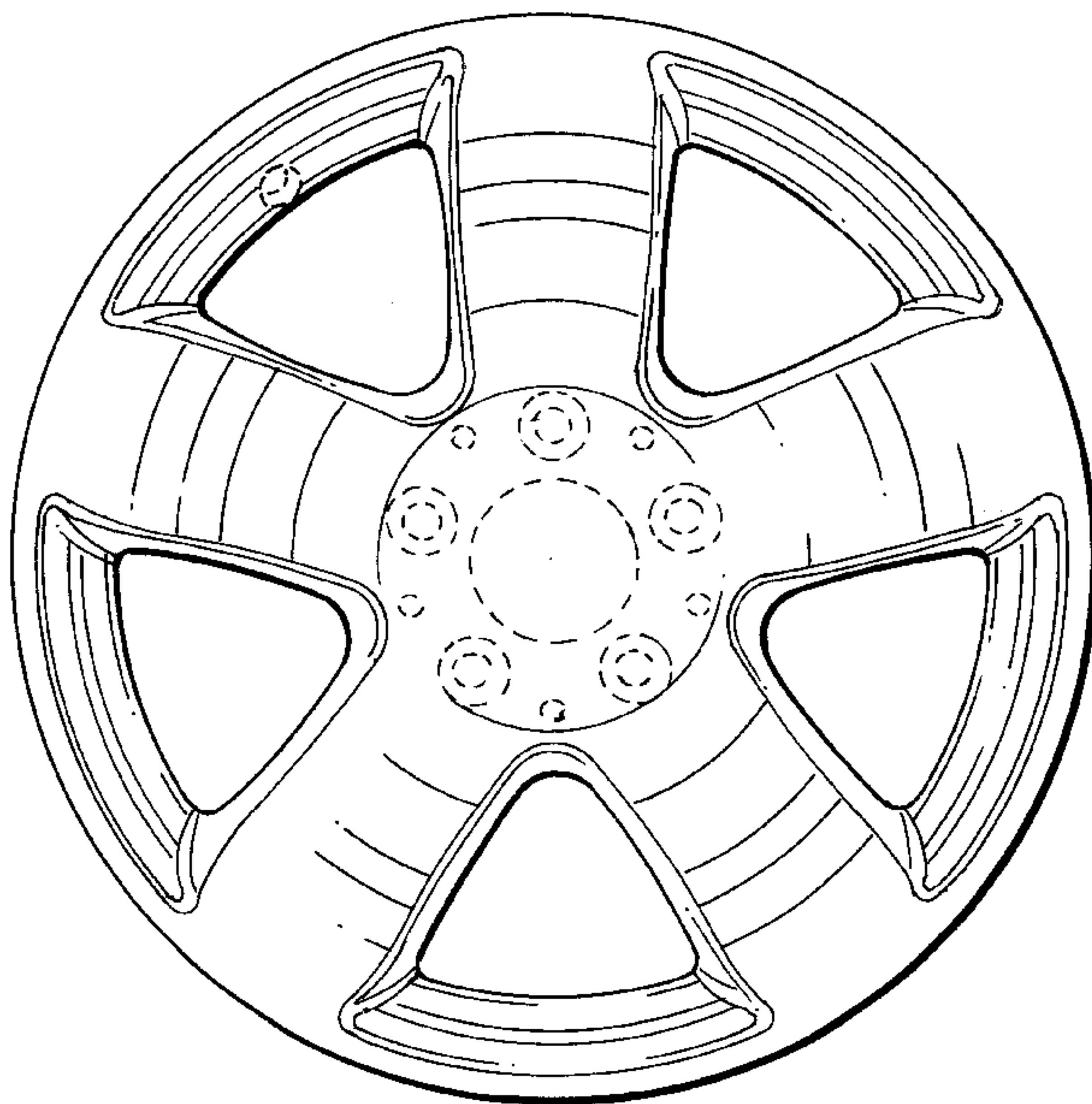
FIG. 2 is a perspective view of the first embodiment of the front face of a vehicle wheel according to our novel design;

FIG. 3 is a front view of a second embodiment of the front face of a vehicle wheel according to our novel design; and,

FIG. 4 is a perspective view of the second embodiment of the front face of a vehicle wheel according to our novel design.

The dash lines included depict environment and are not part of the claimed design.

**1 Claim, 2 Drawing Sheets**



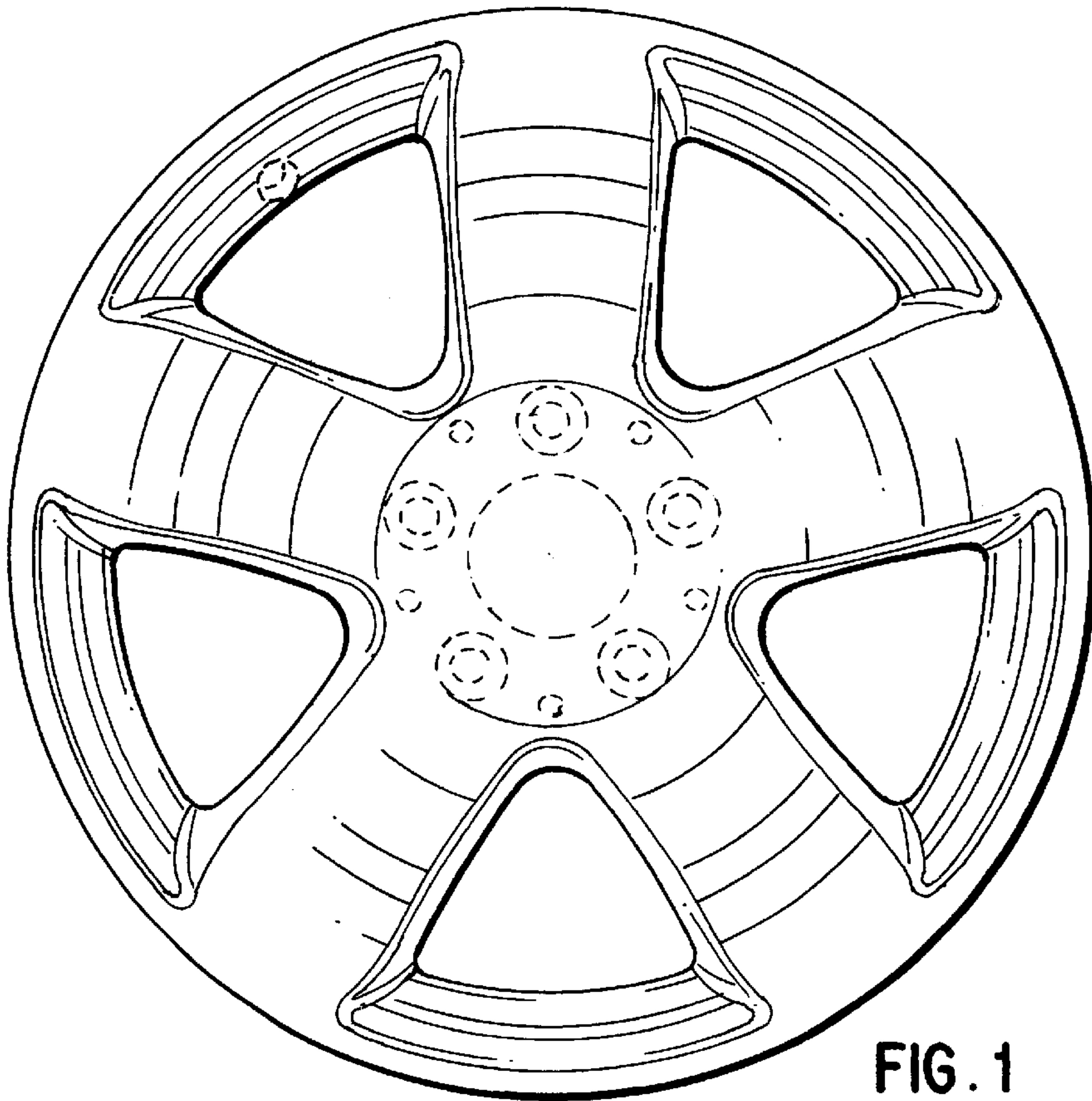


FIG. 1

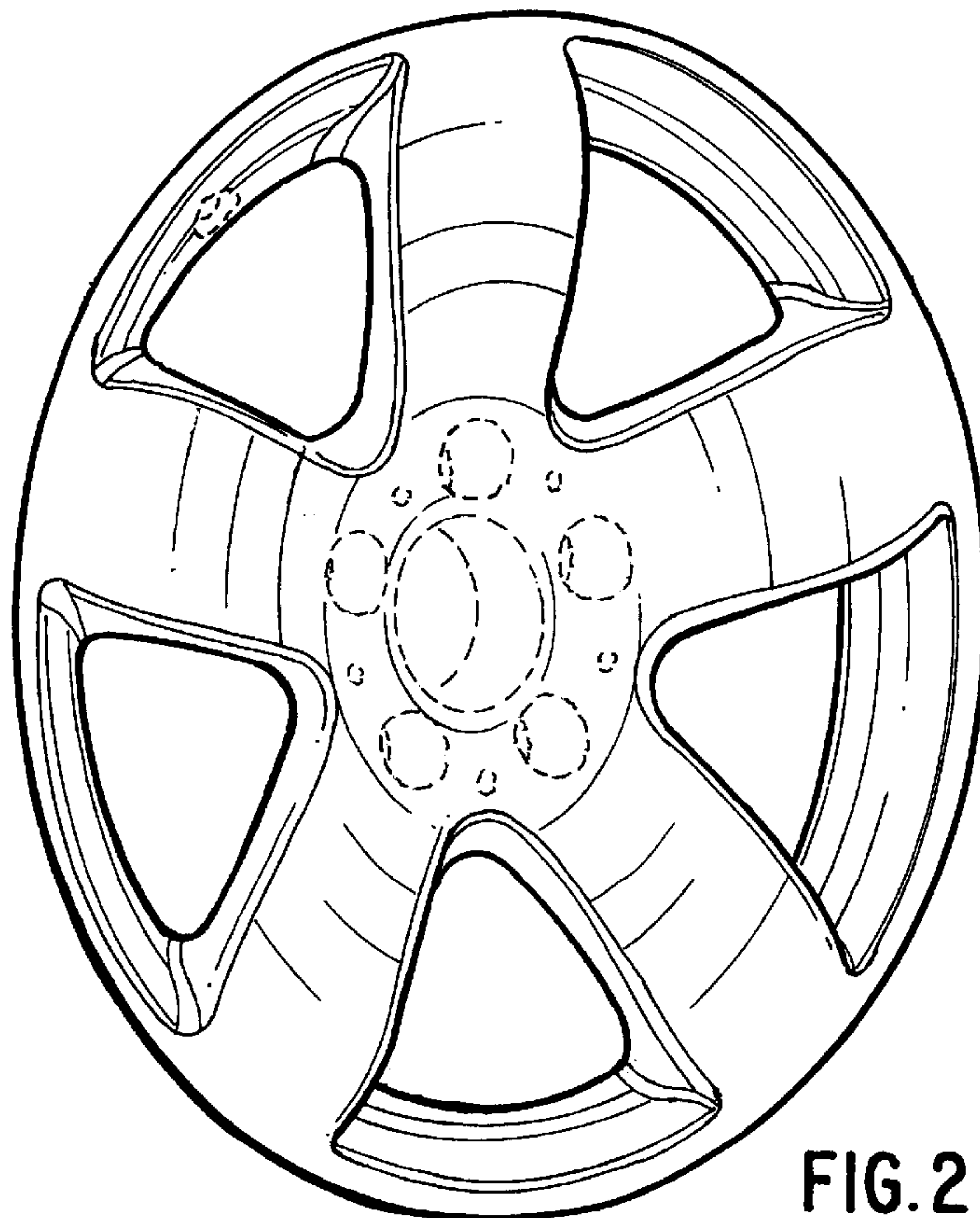


FIG. 2



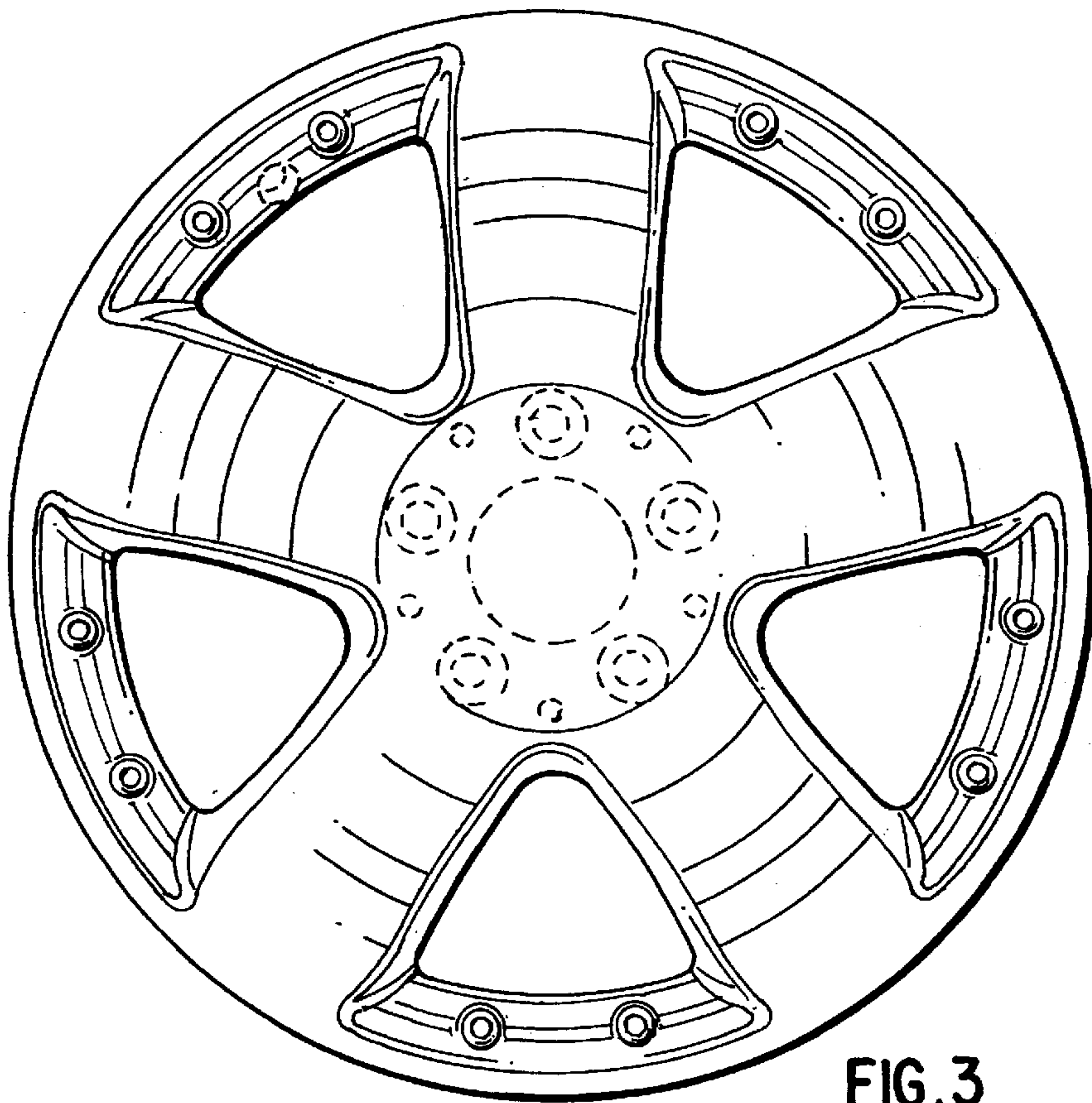


FIG. 3

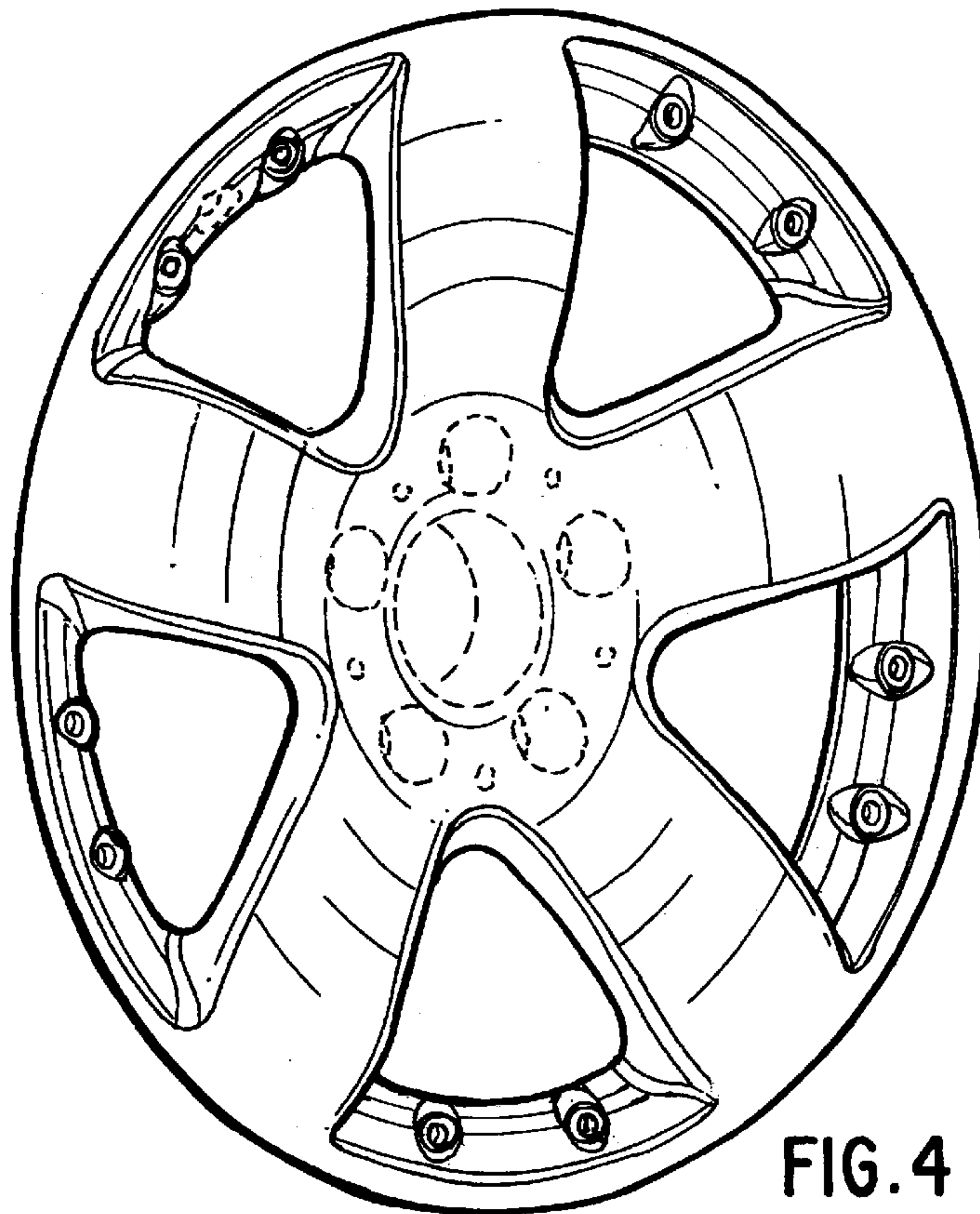


FIG. 4