



US00D466851S

(12) **United States Design Patent**  
**Pfeiffer et al.**

(10) **Patent No.:** **US D466,851 S**

(45) **Date of Patent:** **\*\* Dec. 10, 2002**

(54) **FRONT FACE OF A VEHICLE WHEEL**

(75) Inventors: **Peter Pfeiffer**, Boeblingen (DE); **Murat Guenak**, Ehningen (DE); **Hans-Dieter Futschik**, Gechingen (DE); **Claus Hieke**, Sindelfingen (DE)

(73) Assignee: **DaimlerChrysler AG**, Stuttgart (DE)

(\*\*) Term: **14 Years**

(21) Appl. No.: **29/144,375**

(22) Filed: **Jul. 3, 2001**

(30) **Foreign Application Priority Data**

Jan. 11, 2001 (DE) ..... 4 01 00 126  
Jan. 11, 2001 (DE) ..... 4 01 00 128

(51) **LOC (7) Cl.** ..... **12-16**

(52) **U.S. Cl.** ..... **D12/211**

(58) **Field of Search** ..... D12/204-211;  
301/37.1, 64.1, 65

(56) **References Cited**

**U.S. PATENT DOCUMENTS**

3,043,631 A \* 7/1962 Swoboda ..... D12/211  
D225,626 S \* 12/1972 Davidson ..... D12/211  
D236,107 S \* 7/1975 Scott ..... D12/211  
D327,049 S \* 6/1992 Boyer ..... D12/211  
D352,492 S \* 11/1994 Boyer ..... D12/211  
D402,951 S \* 12/1998 Wechner ..... D12/211  
D405,749 S \* 2/1999 Kulla ..... D12/211  
D406,807 S \* 3/1999 Shikado ..... D12/211  
D410,886 S \* 6/1999 Nishida ..... D12/211  
D413,853 S \* 9/1999 Hale, Jr. .... D12/211  
D416,850 S \* 11/1999 Cohen et al. .... D12/211

D428,379 S \* 7/2000 Donikoglu ..... D12/211  
D429,206 S \* 8/2000 Ito ..... D12/211  
D432,975 S \* 10/2000 Chung ..... D12/211  
D436,911 S \* 1/2001 Chung ..... D12/211  
D441,339 S \* 5/2001 Hussaini et al. .... D12/211  
D445,753 S \* 7/2001 Neeper ..... D12/211  
D450,649 S \* 11/2001 Penzes ..... D12/211  
D451,067 S \* 11/2001 Frizzi ..... D12/211  
D453,136 S \* 1/2002 Frizzi ..... D12/211  
D453,494 S \* 2/2002 Brown et al. .... D12/211  
D457,118 S \* 5/2002 Bhambra ..... D12/211  
D457,119 S \* 5/2002 Braun et al. .... D12/211  
D460,035 S \* 7/2002 Wiesinger ..... D12/211

\* cited by examiner

*Primary Examiner*—Stacia Cadmus

(74) *Attorney, Agent, or Firm*—Crowell & Moring LLP

(57) **CLAIM**

The ornamental design for a front face of a vehicle wheel, as shown and described.

**DESCRIPTION**

FIG. 1 is a front view of a first embodiment of a front face of a vehicle wheel according to our novel design;

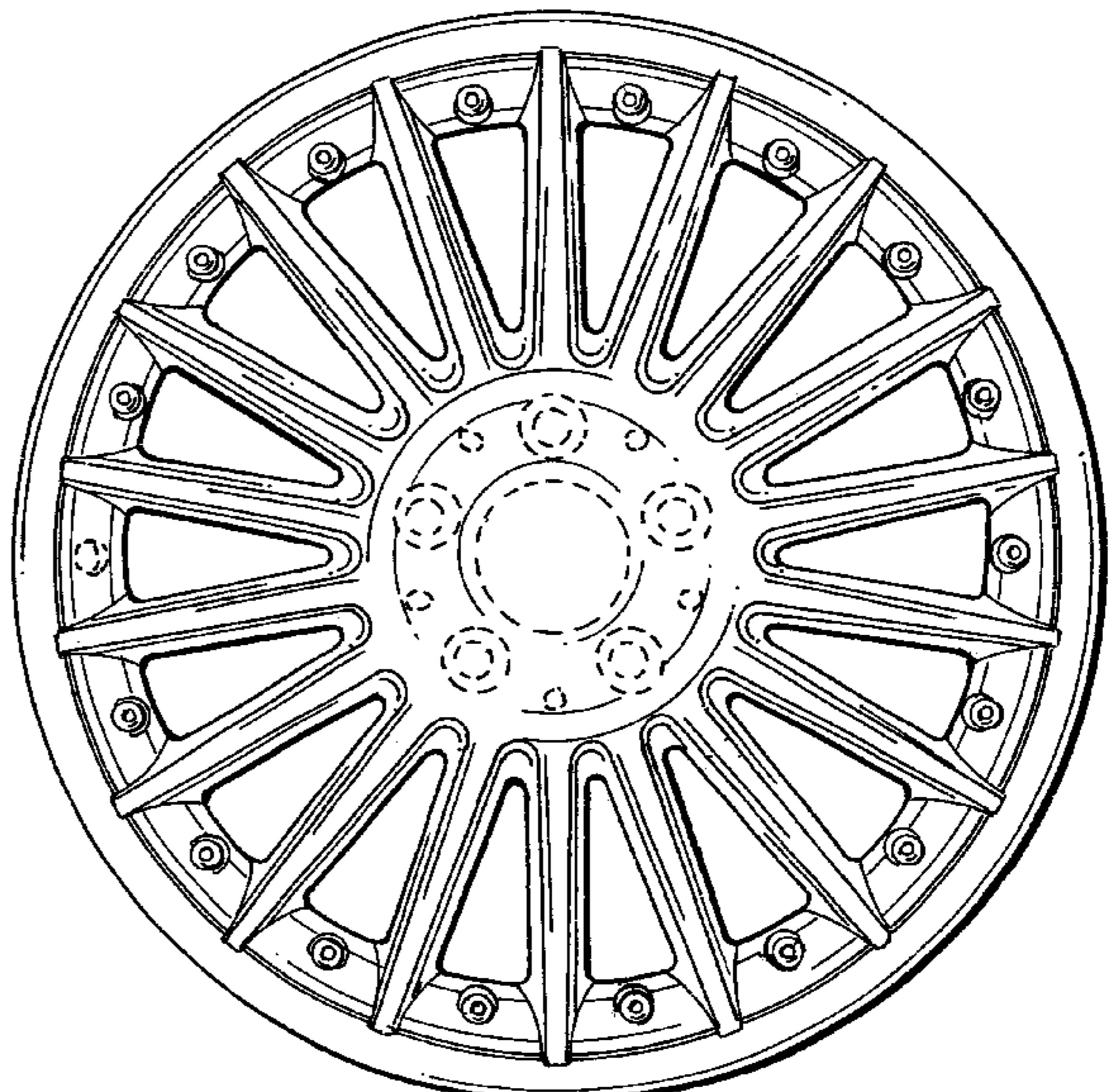
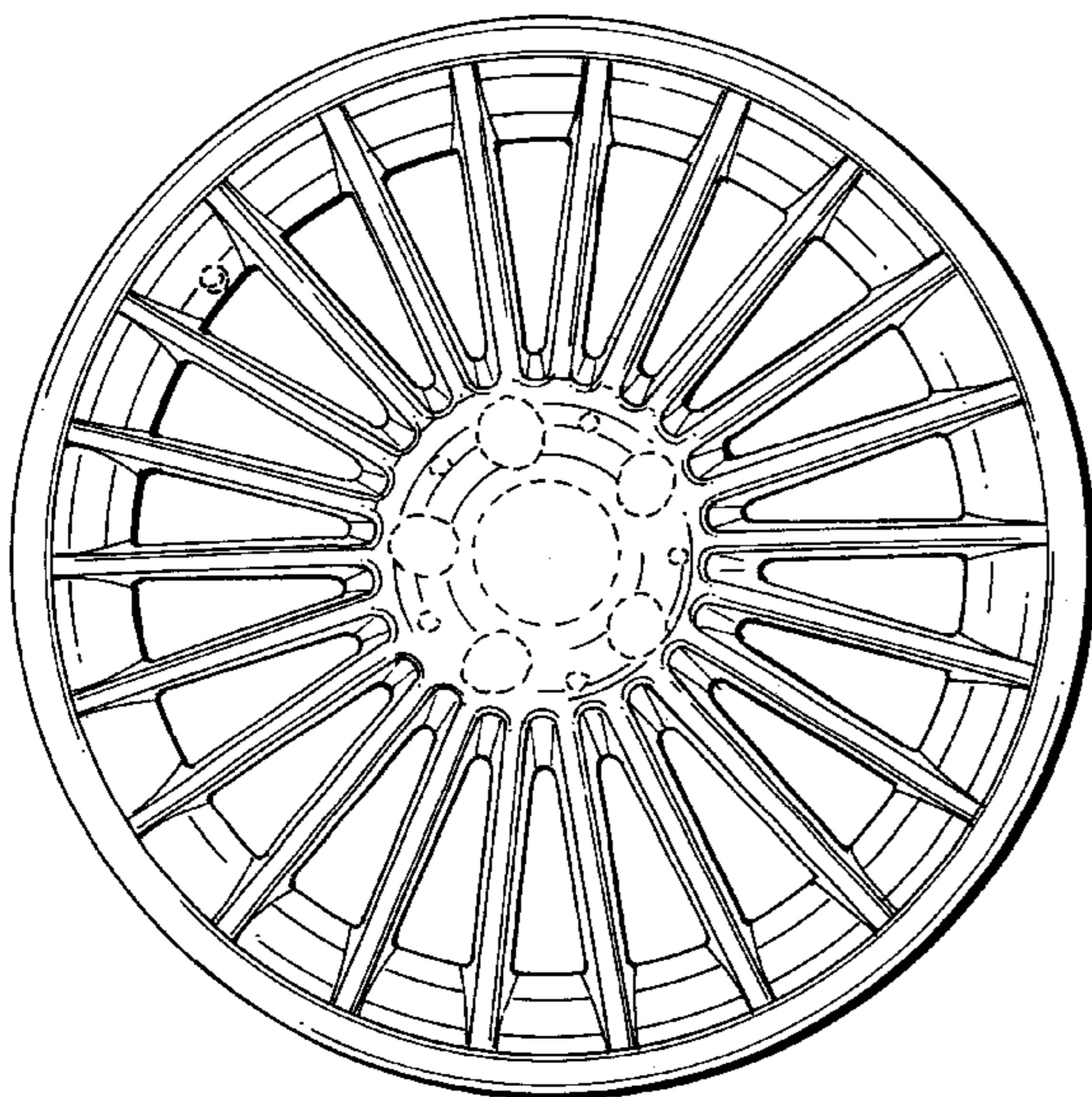
FIG. 2 is a perspective view of the first embodiment of the front face of a vehicle wheel according to our novel design;

FIG. 3 is a front view of a second embodiment of the front face of a vehicle wheel according to our novel design; and,

FIG. 4 is a perspective view of the second embodiment of the front face of a vehicle wheel according to our novel design.

The dash lines included depict environment and are not part of the claimed design.

**1 Claim, 2 Drawing Sheets**



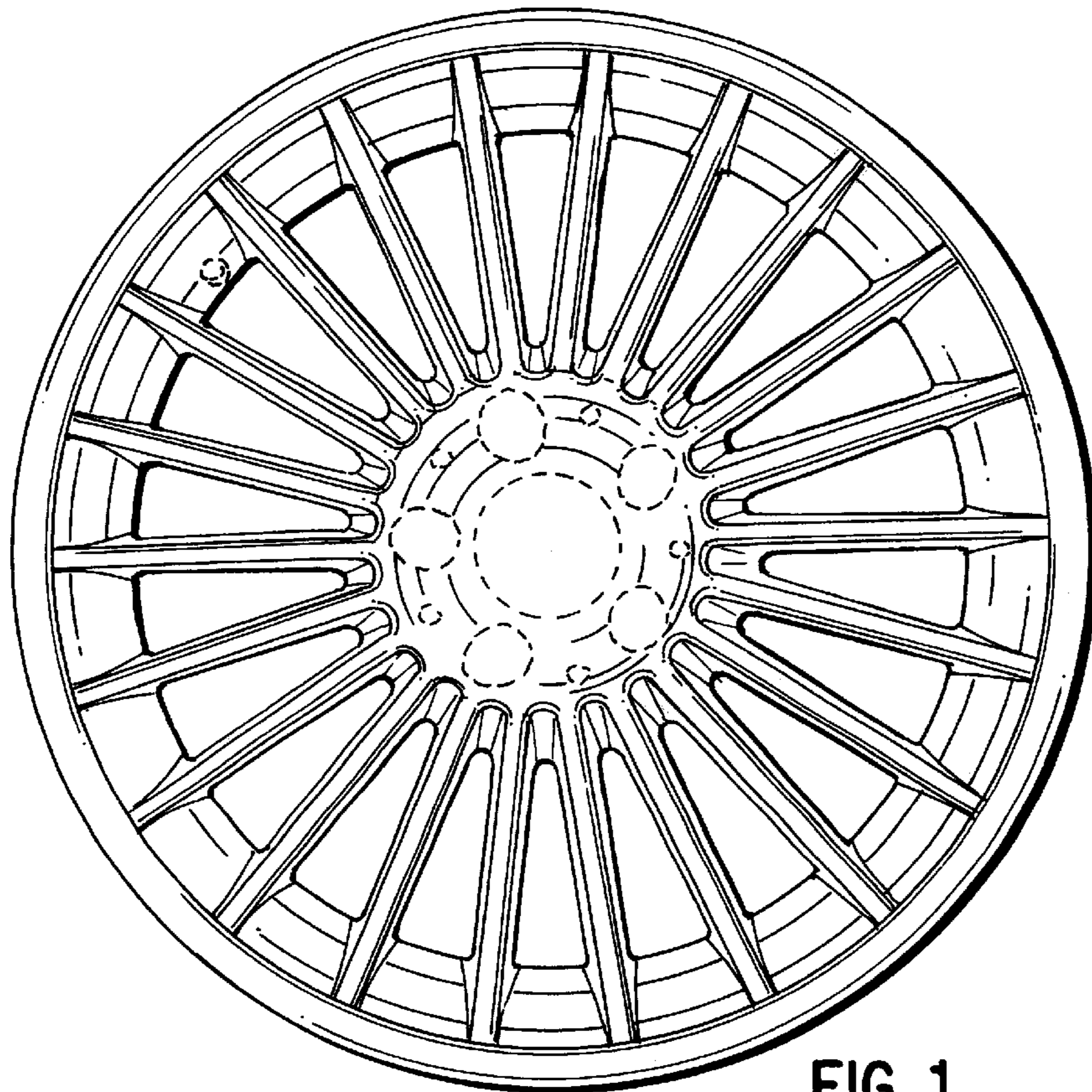


FIG. 1

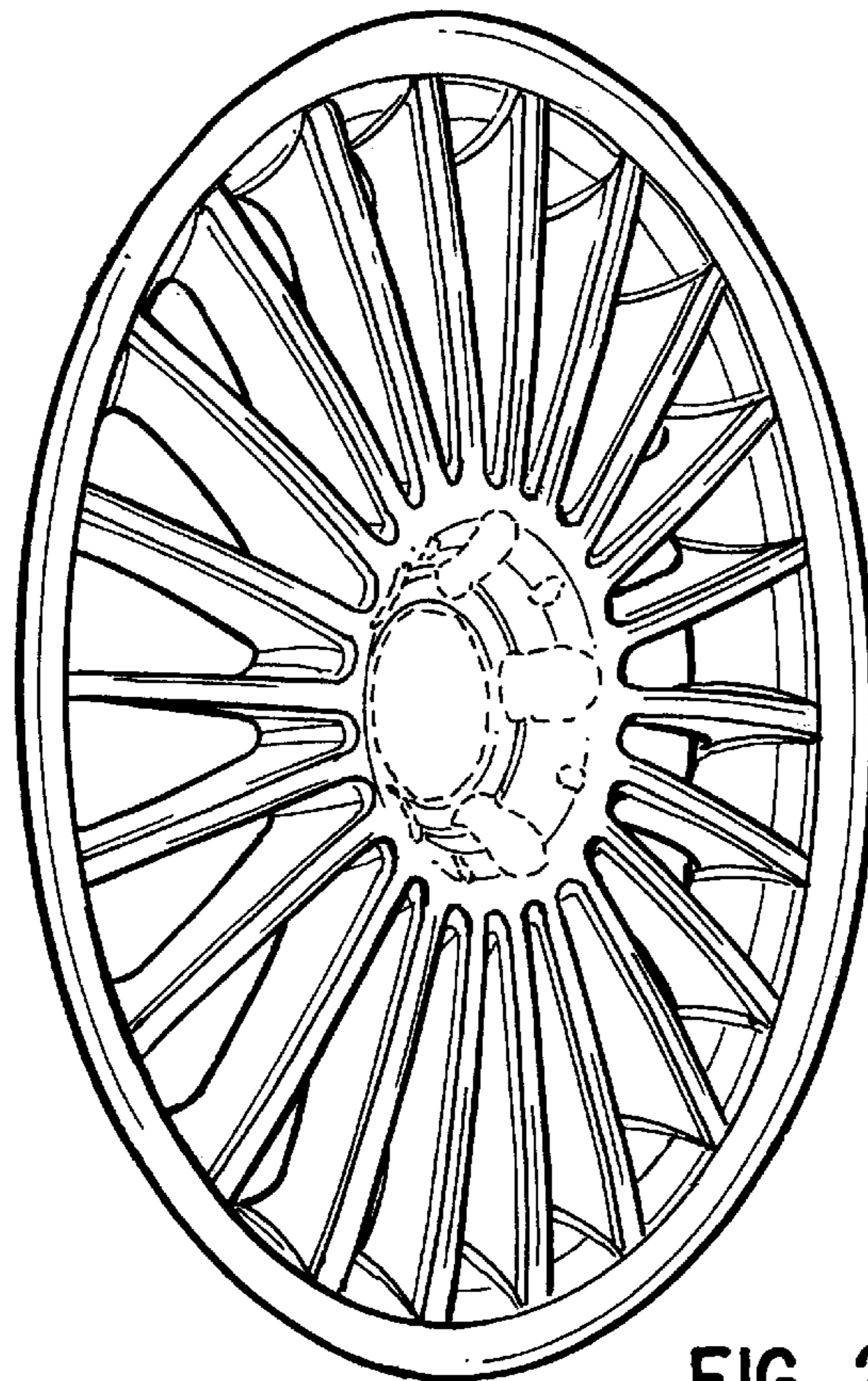


FIG. 2

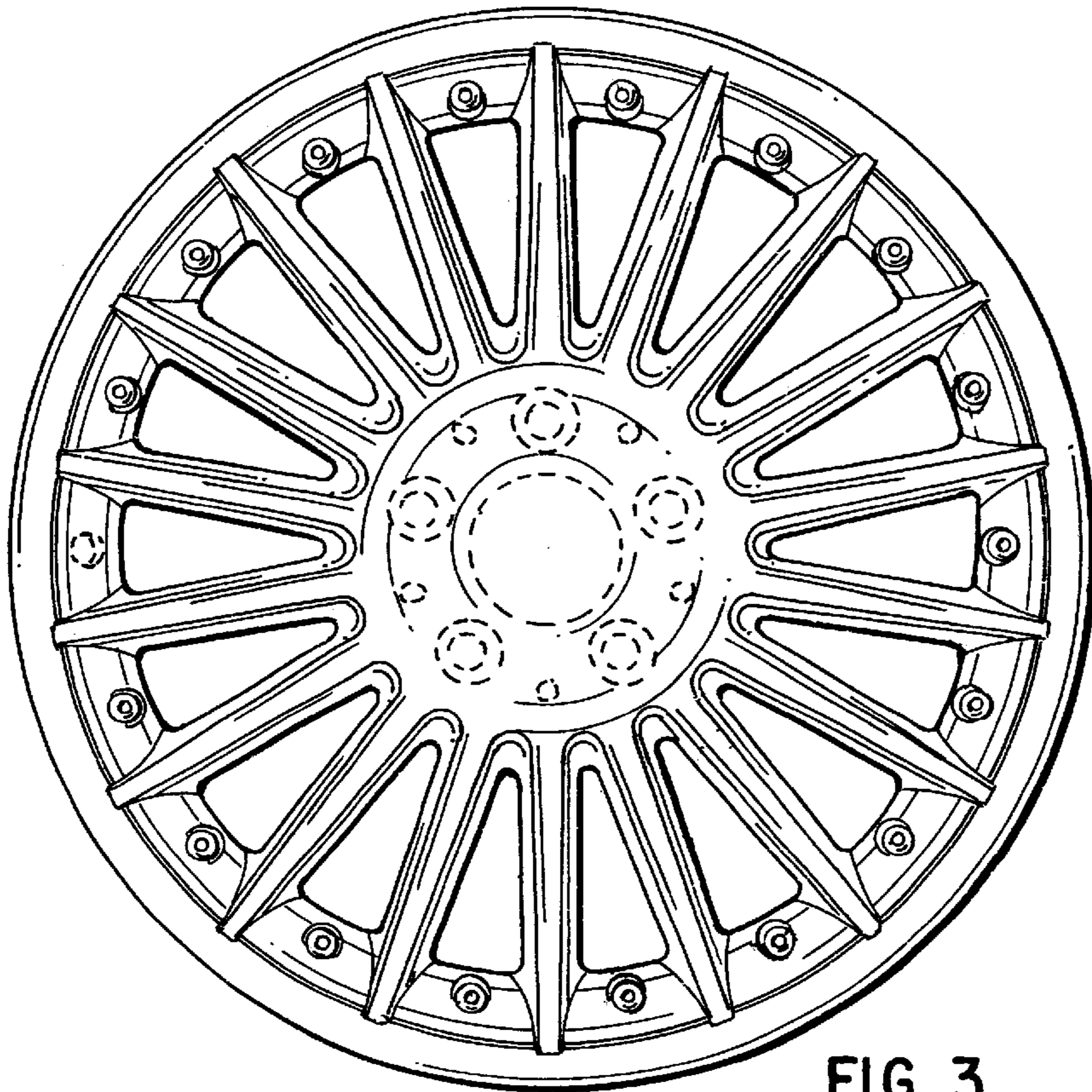


FIG. 3

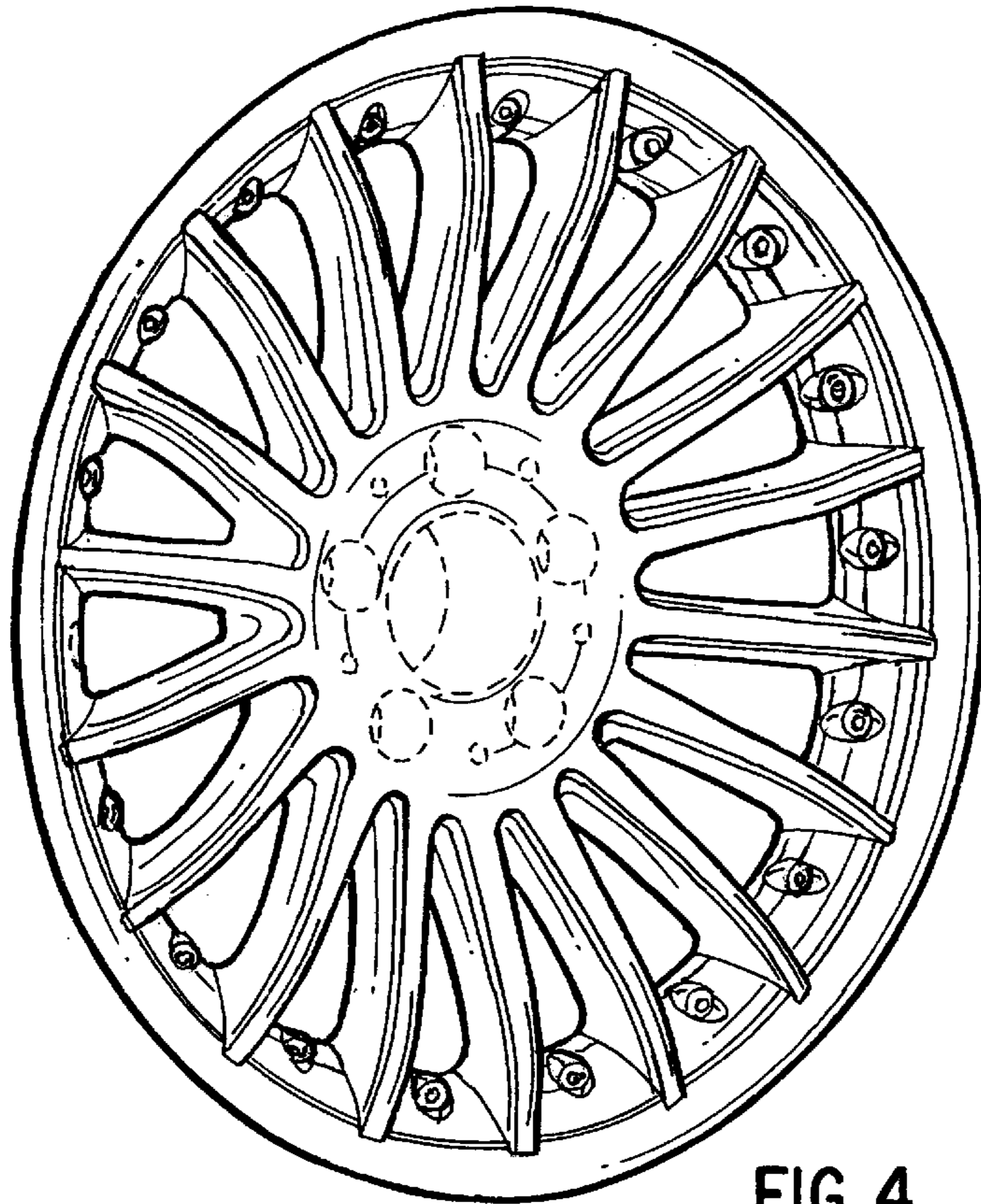


FIG. 4