



US00D466850S

(12) **United States Design Patent**
Cullen

(10) **Patent No.:** **US D466,850 S**

(45) **Date of Patent:** **** Dec. 10, 2002**

(54) **VEHICLE-WHEEL FRONT FACE**

(75) Inventor: **Murray S. Cullen**, Irvine, CA (US)

(73) Assignee: **Mobile Hi-Tech Wheels**, Torrance, CA (US)

(**) Term: **14 Years**

(21) Appl. No.: **29/139,978**

(22) Filed: **Apr. 10, 2001**

(51) **LOC (7) Cl.** **12-16**

(52) **U.S. Cl.** **D12/211**

(58) **Field of Search** D12/204-211;
301/37.101, 64.101, 65

D451,466 S	*	12/2001	Fujii	D12/211
D452,840 S	*	1/2002	Hall	D12/211
D456,335 S	*	4/2002	Chung	D12/211
D459,690 S	*	7/2002	Bintoro	D12/211
D459,692 S	*	7/2002	Vian	D12/211
D460,036 S	*	7/2002	Yajima	D12/211

* cited by examiner

Primary Examiner—Stacia Cadmus

(74) *Attorney, Agent, or Firm*—Christie, Parker & Hale, LLP

(57) **CLAIM**

The ornamental design for a vehicle-wheel front face, as shown and described.

DESCRIPTION

FIG. 1 is a perspective view of a vehicle-wheel front face according to my new design;

FIG. 2 is a front elevational view thereof; and,

FIG. 3 is a side elevational view thereof, taken from the left side of FIG. 2.

Portions of the wheel depicted in broken line are for illustrative purposes only, and form no part of the claimed design.

(56) **References Cited**

U.S. PATENT DOCUMENTS

D204,256 S	*	4/1966	Rader	D12/211
D277,661 S	*	2/1985	Cafaro et al.	D12/211
D284,182 S	*	6/1986	Hedlund	D12/211
D336,886 S	*	6/1993	Mikawa	D12/211
D350,523 S	*	9/1994	Mobius	D12/209
D361,976 S	*	9/1995	Echazabal et al.	D12/211
D439,212 S	*	3/2001	Neeper	D12/211

1 Claim, 3 Drawing Sheets

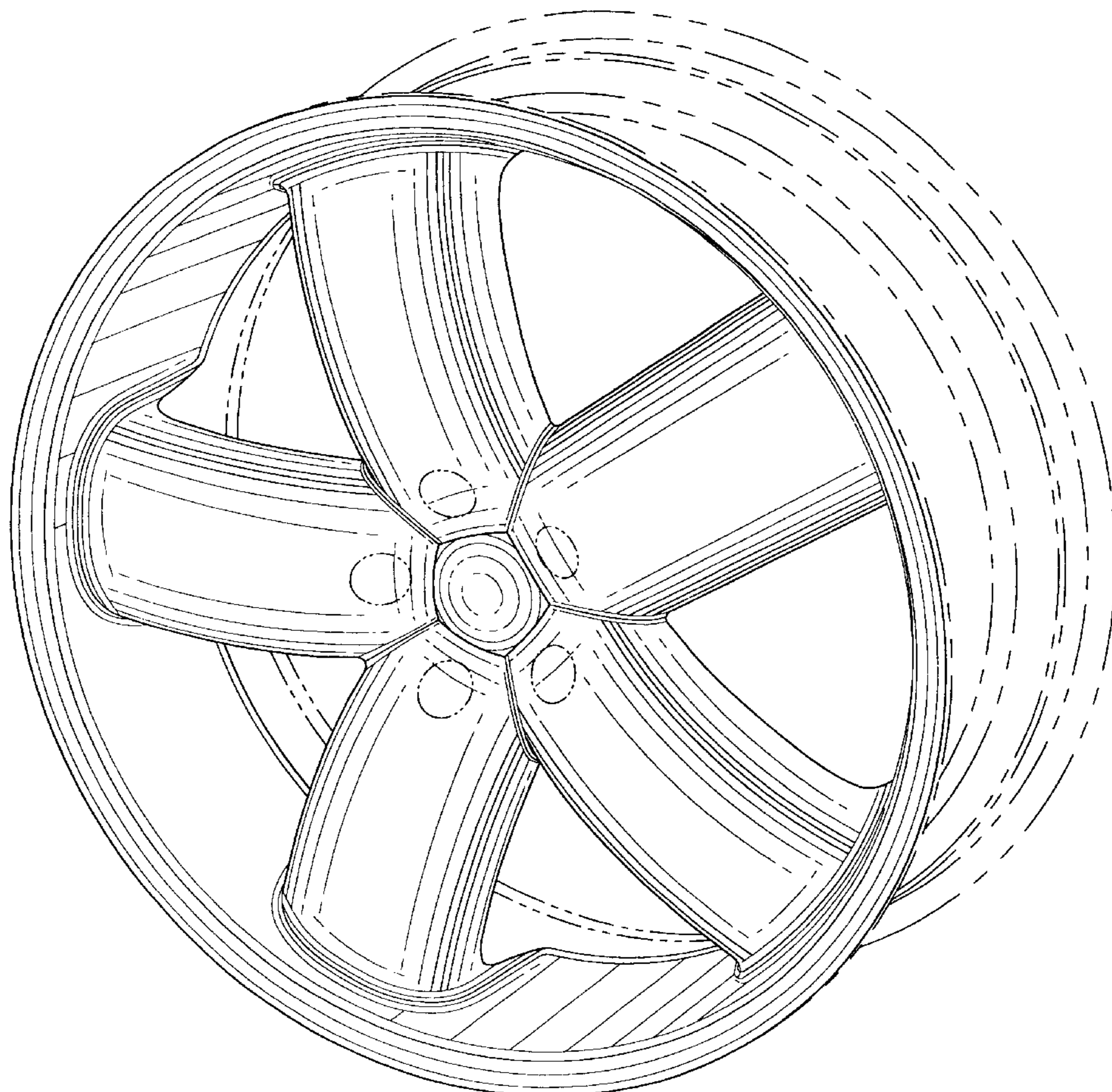


FIG. 1

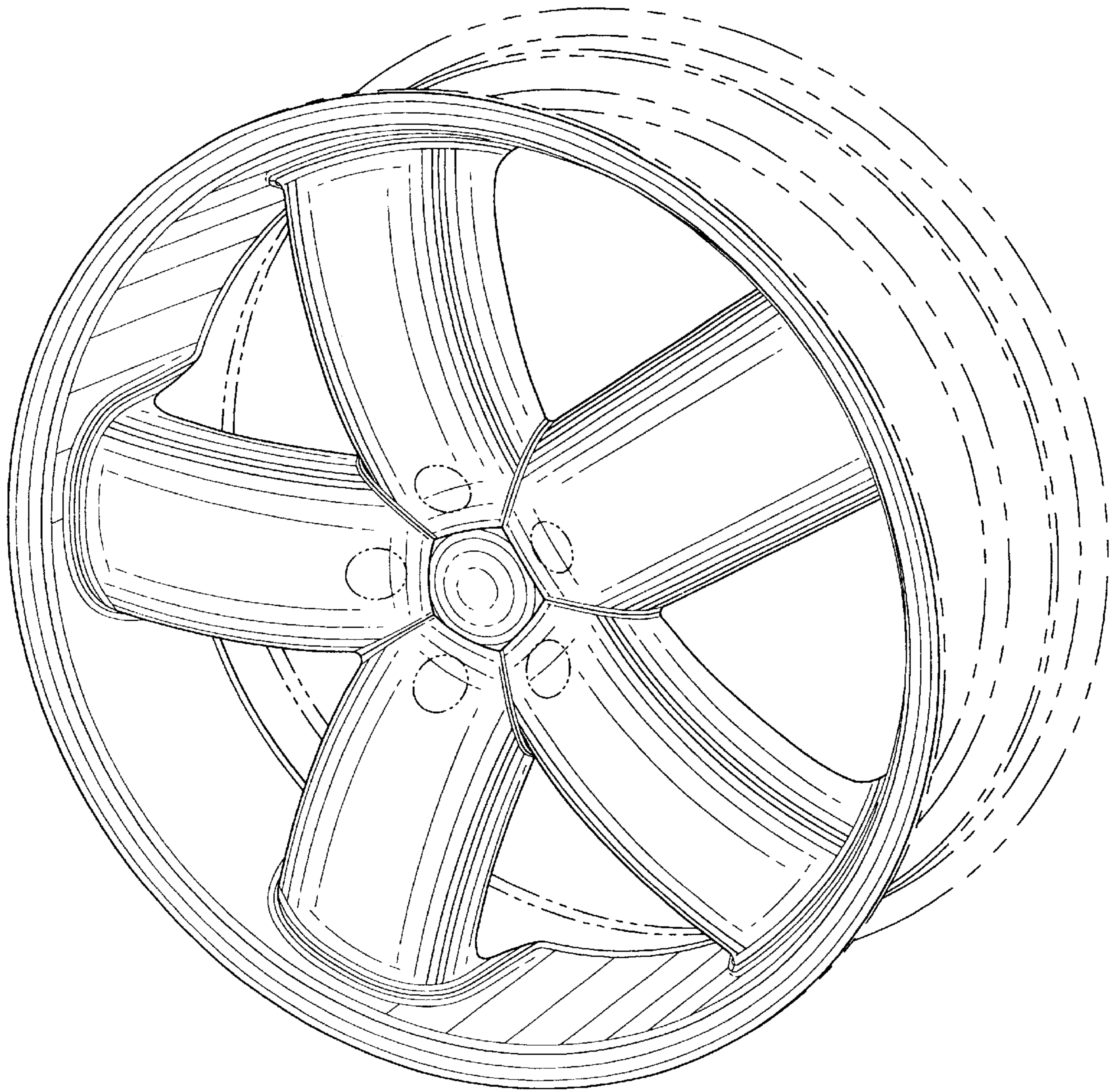


FIG. 2

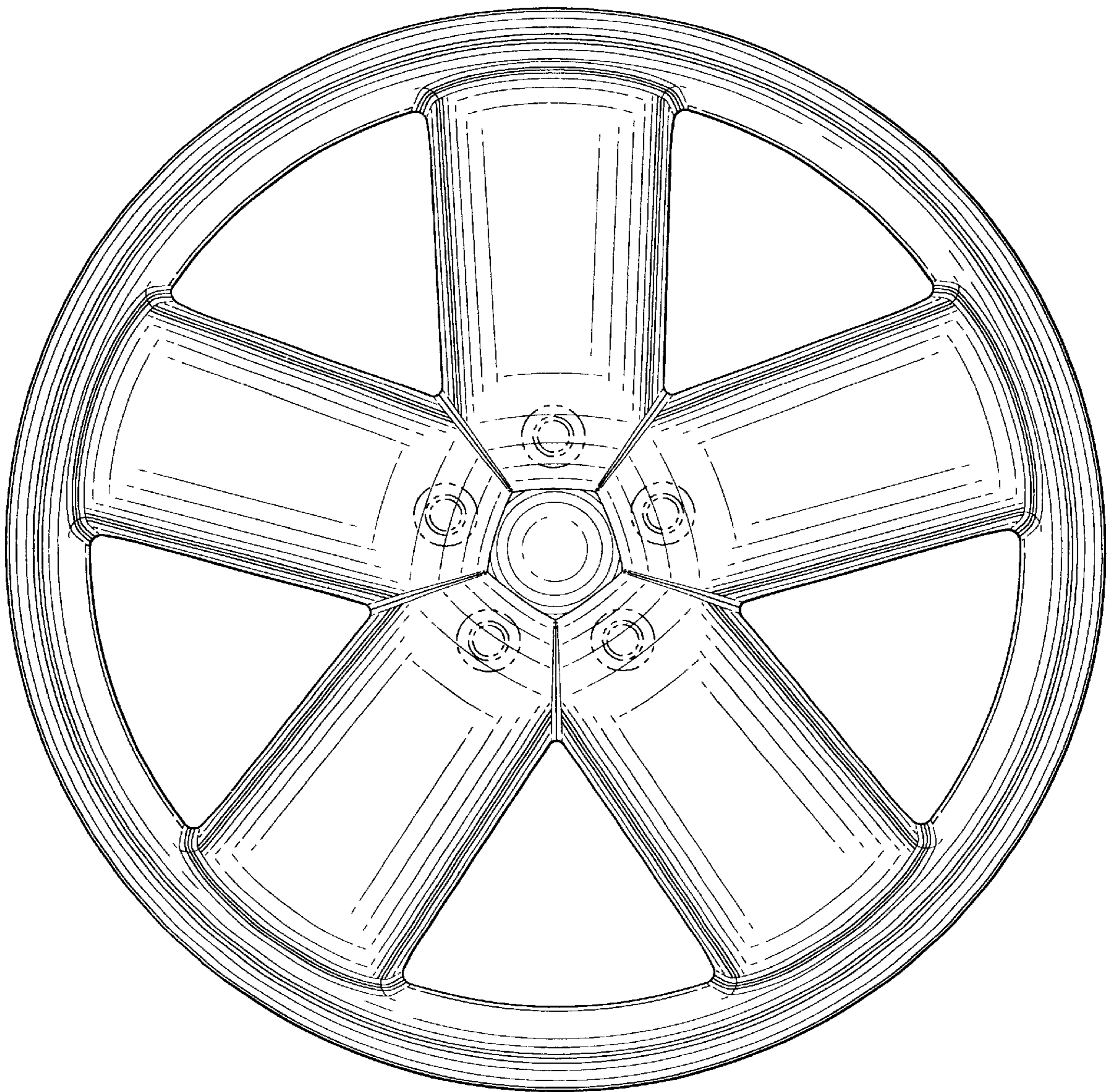


FIG. 3

