

US00D466847S

(12) **United States Design Patent** (10) **Patent No.:** **US D466,847 S**  
**Waskow et al.** (45) **Date of Patent:** **\*\* Dec. 10, 2002**

(54) **AIR DAM FOR A VEHICLE BUMPER**

(57) **CLAIM**

(75) Inventors: **John H. Waskow**, Keller, TX (US);  
**Eric N. Tucker**, Denton, TX (US)

The ornamental design for an air dam for a vehicle bumper, as shown and described.

(73) Assignee: **Paccar Inc**, Bellevue, WA (US)

**DESCRIPTION**

(\*\*) Term: **14 Years**

FIG. 1 is a perspective view of an air dam for a vehicle bumper showing a first embodiment of our new design; FIG. 2 is a second perspective view thereof; FIG. 3 is a front view thereof; FIG. 4 is a side view thereof; FIG. 5 is an opposite side view thereof; FIG. 6 is a rear view thereof; FIG. 7 is a top view thereof; FIG. 8 is a bottom view thereof; FIG. 9 is a front view of an air dam for a vehicle bumper according to a second embodiment of our novel design which is identical to that shown in FIGS. 1-7 except it is a mirror image of said first embodiment; and FIG. 10 is a side view of said second embodiment; FIG. 11 is an opposite side view of said second embodiment; FIG. 12 is a rear view of said second embodiment; FIG. 13 is a top view of said second embodiment; and, FIG. 14 is a bottom view of said second embodiment. Parts shown in broken lines are for illustrative purposes only and form no part of the claimed design.

(21) Appl. No.: **29/157,187**

(22) Filed: **Mar. 13, 2002**

(51) **LOC (7) Cl.** ..... **12-16**

(52) **U.S. Cl.** ..... **D12/181; D12/169**

(58) **Field of Search** ..... **D12/181, 169, D12/96; 296/180.1, 180.2; 293/102, 113, 115, 120**

(56) **References Cited**

**U.S. PATENT DOCUMENTS**

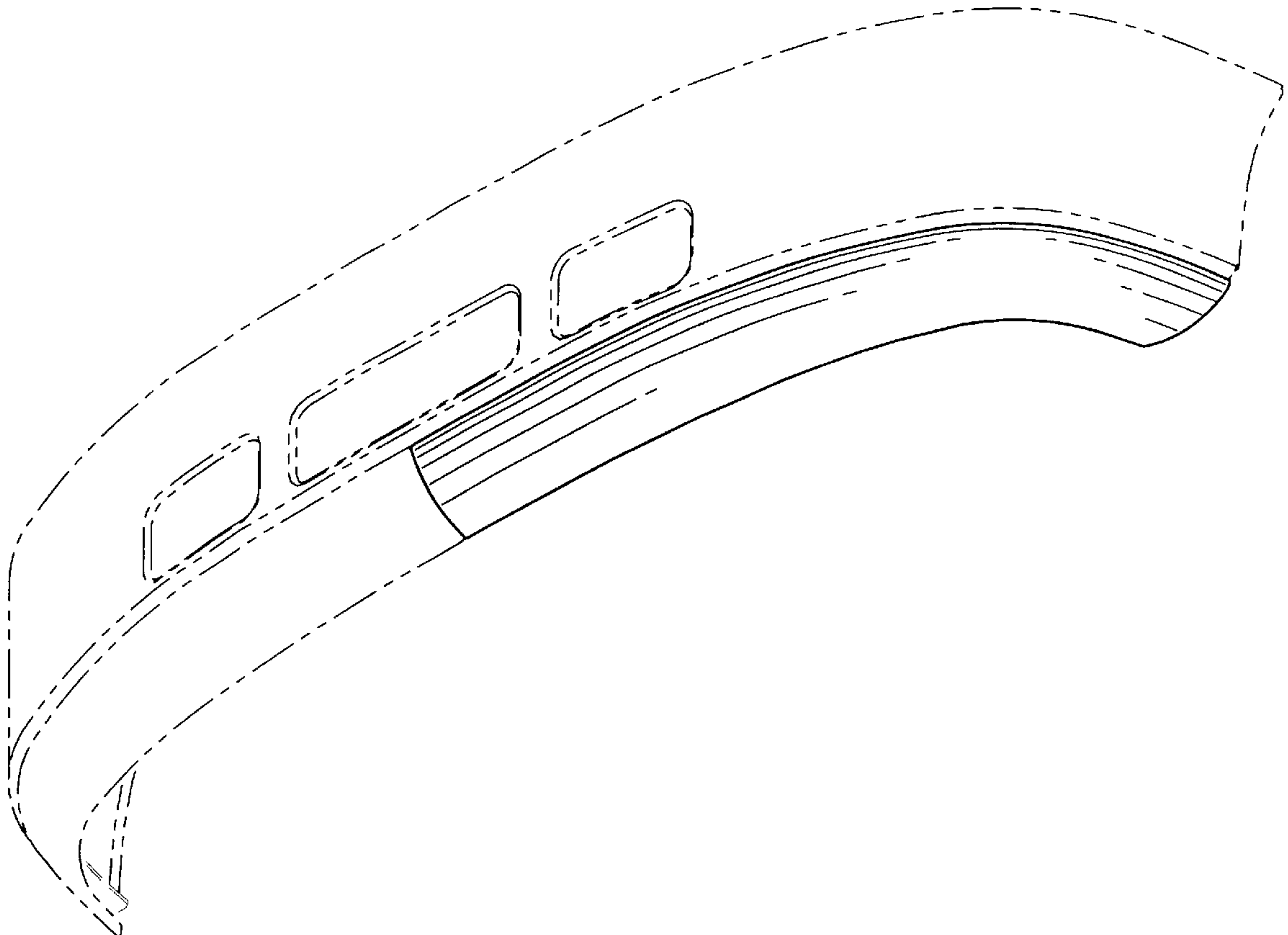
|            |   |        |              |       |         |
|------------|---|--------|--------------|-------|---------|
| D348,705 S | * | 7/1994 | Onopa        | ..... | D12/181 |
| D456,753 S | * | 5/2002 | Fife         | ..... | D12/181 |
| D458,565 S | * | 6/2002 | Maher et al. | ..... | D12/169 |

\* cited by examiner

*Primary Examiner*—Melody N. Brown

(74) *Attorney, Agent, or Firm*—Sidley Austin Brown & Wood LLP

**1 Claim, 5 Drawing Sheets**



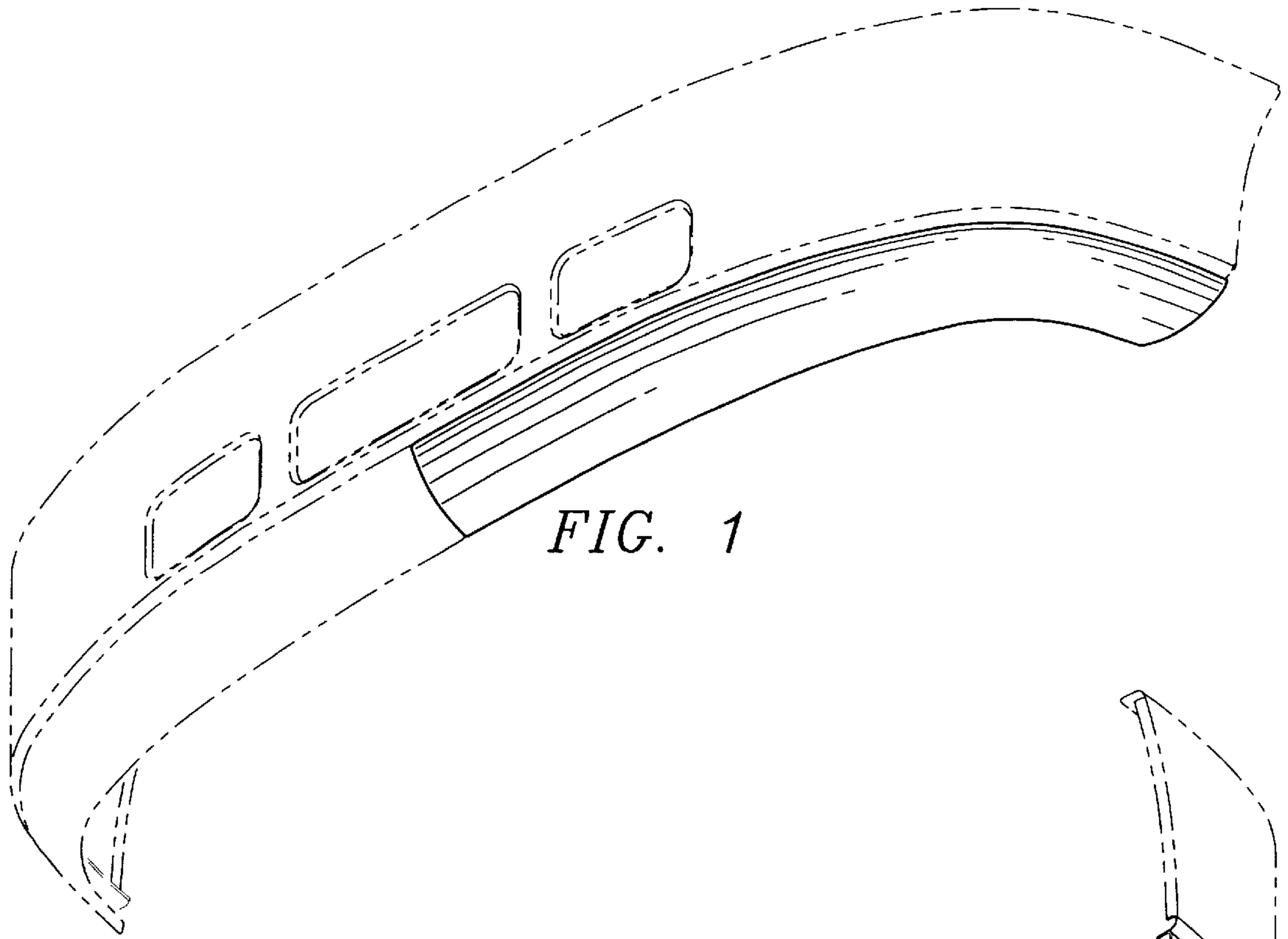


FIG. 1

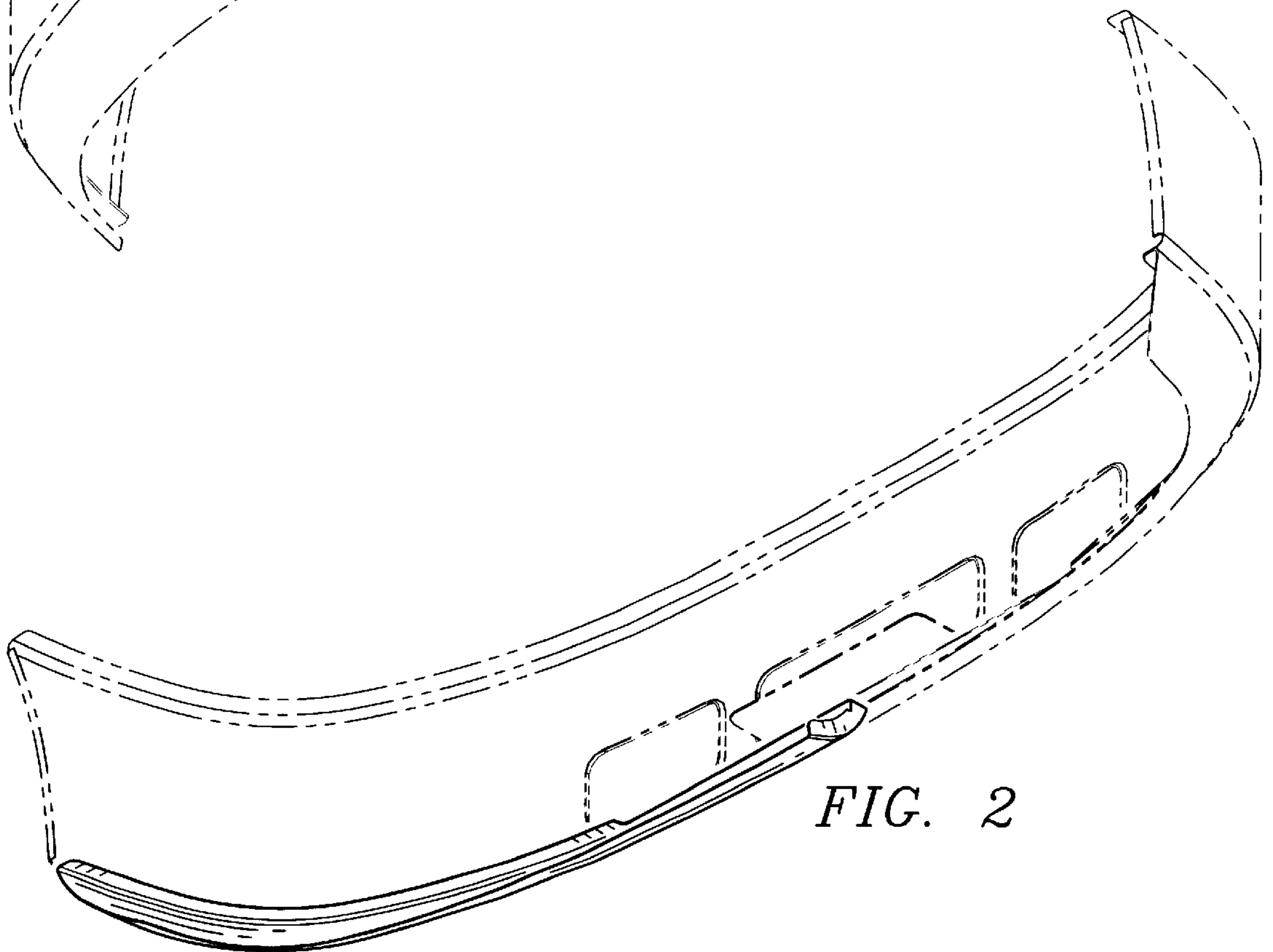


FIG. 2

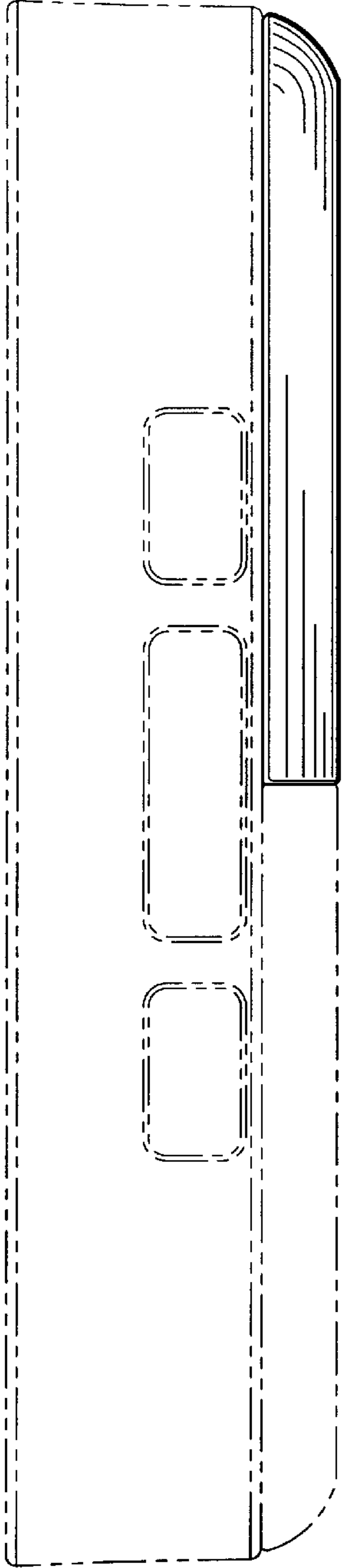


FIG. 3

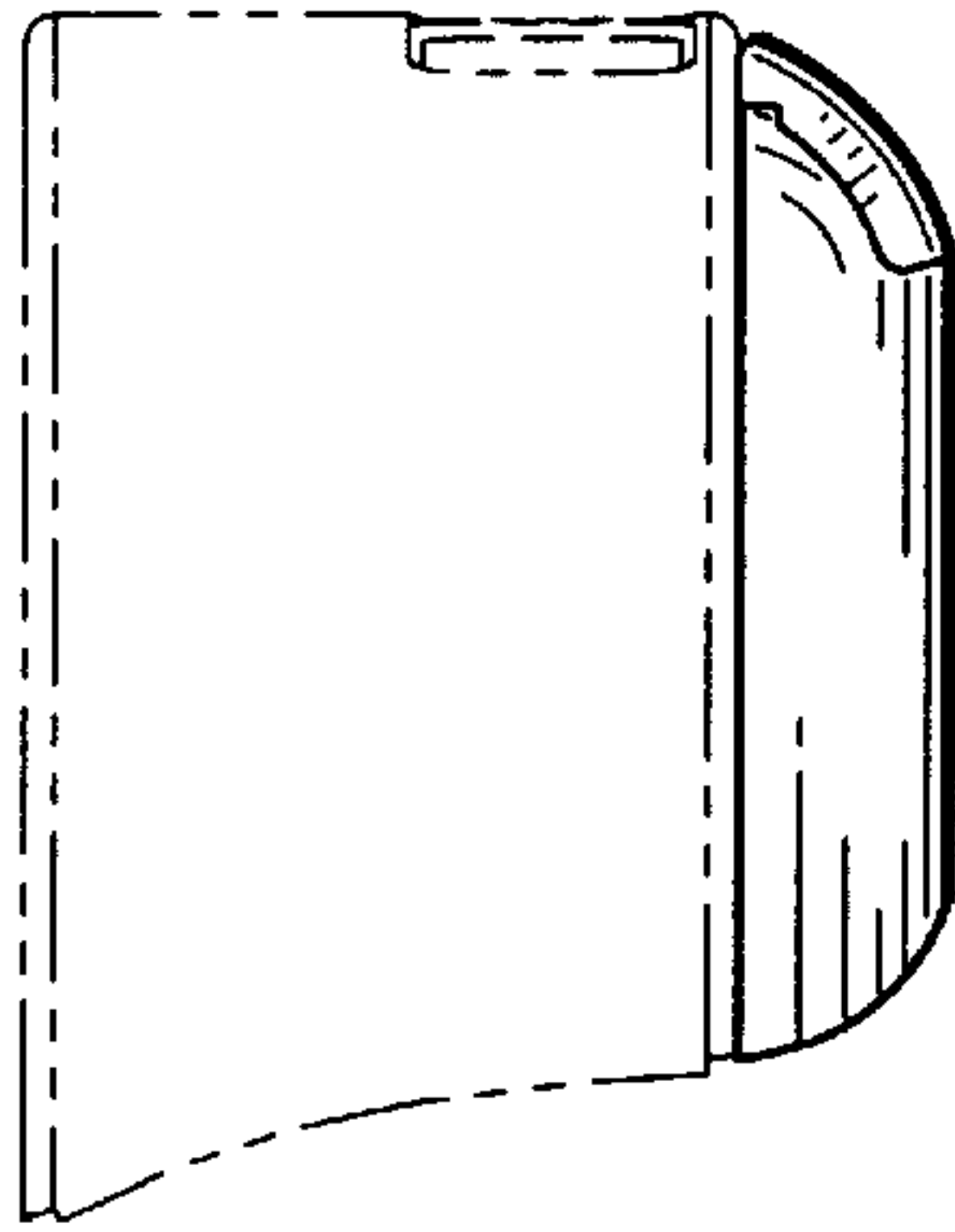


FIG. 4

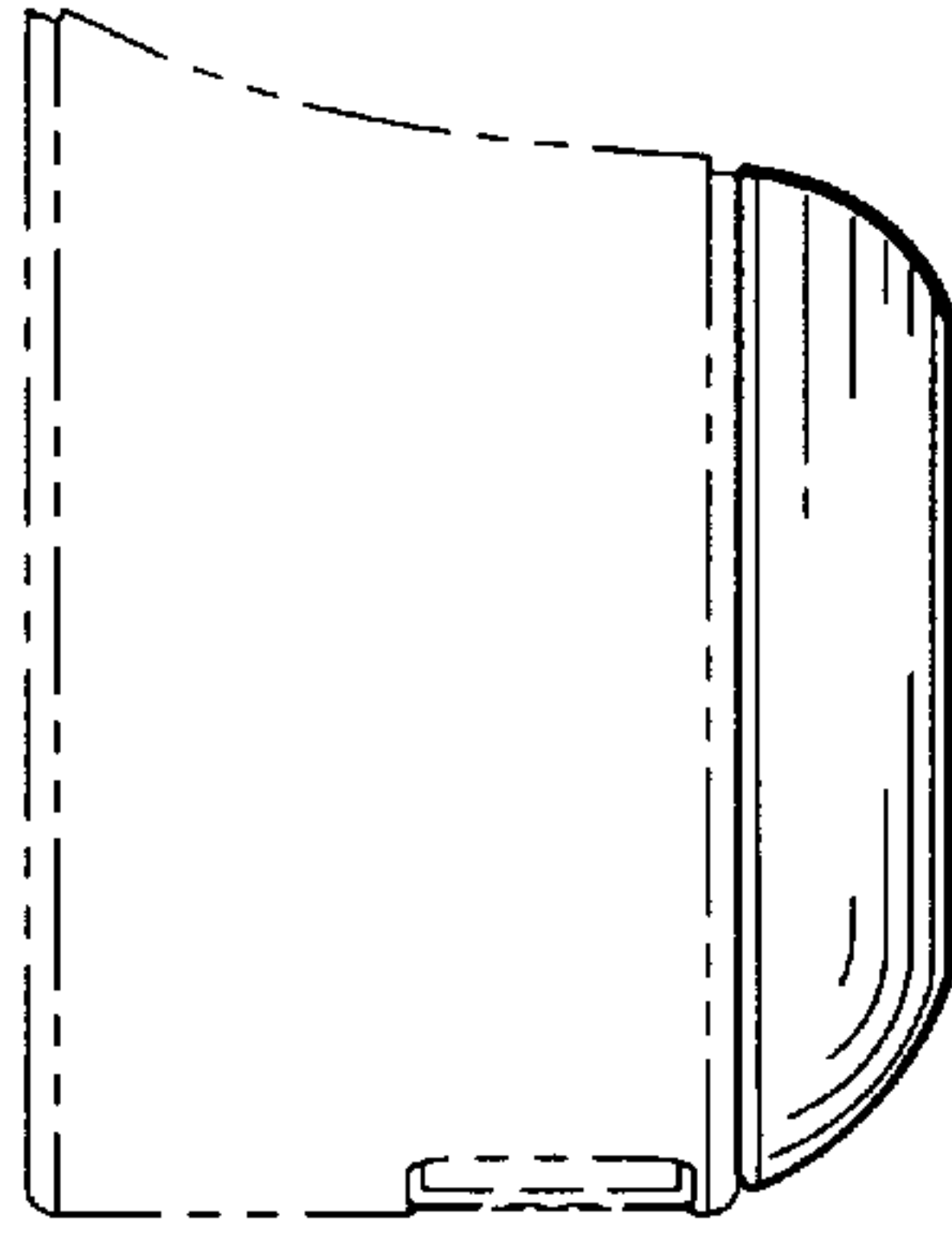


FIG. 5

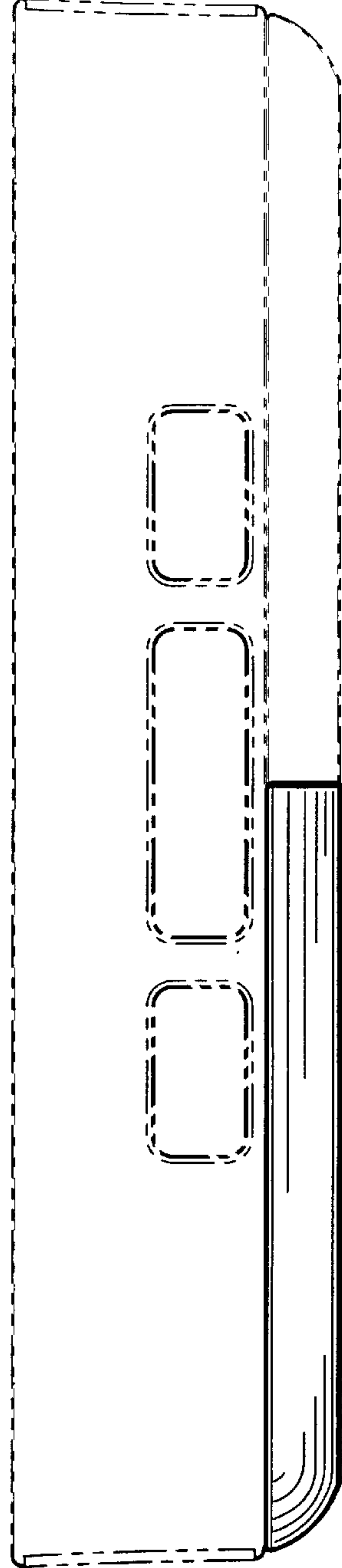


FIG. 6

FIG. 7

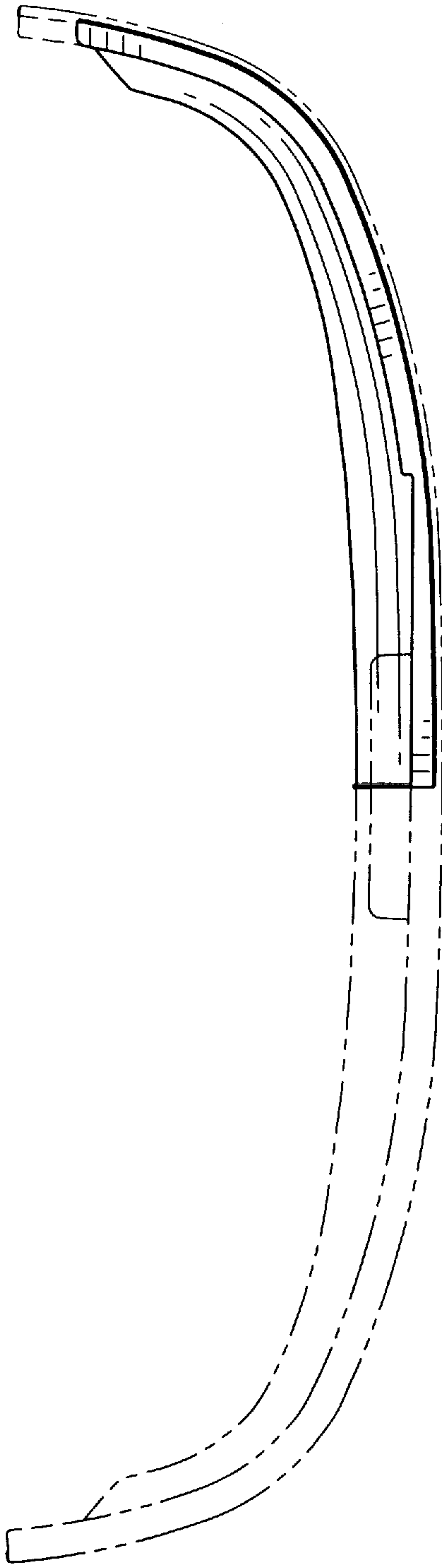
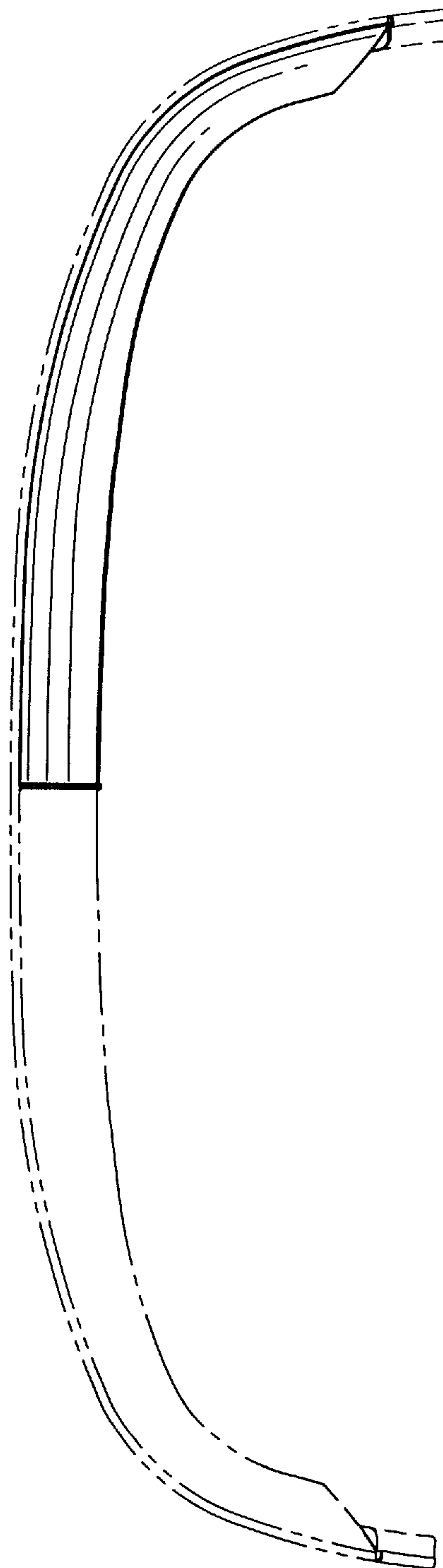


FIG. 8



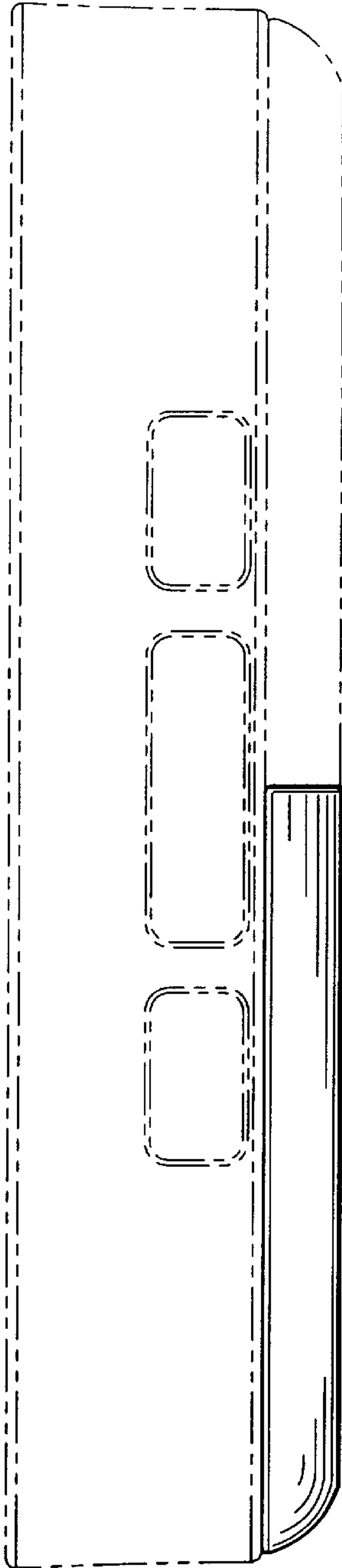


FIG. 9

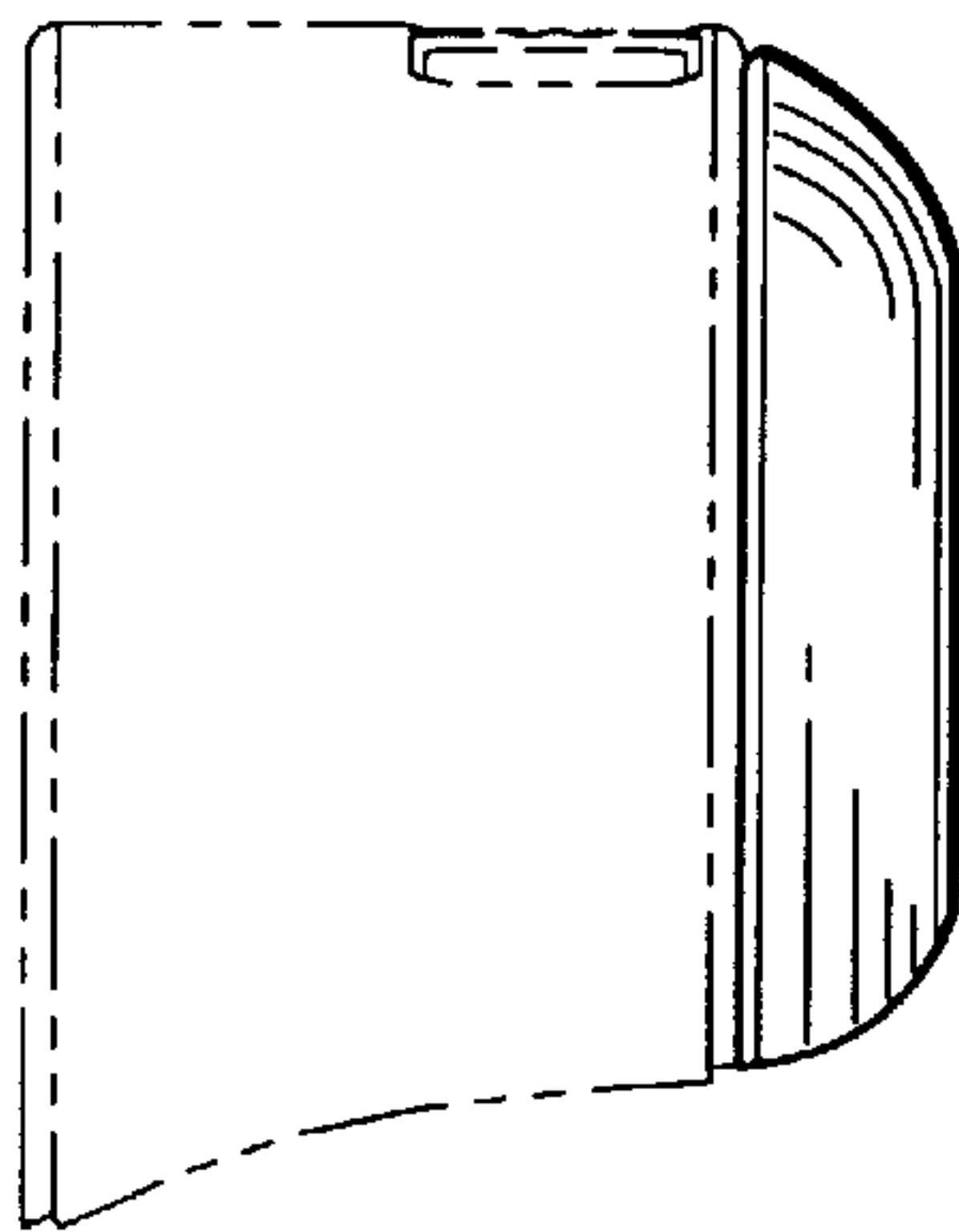


FIG. 10

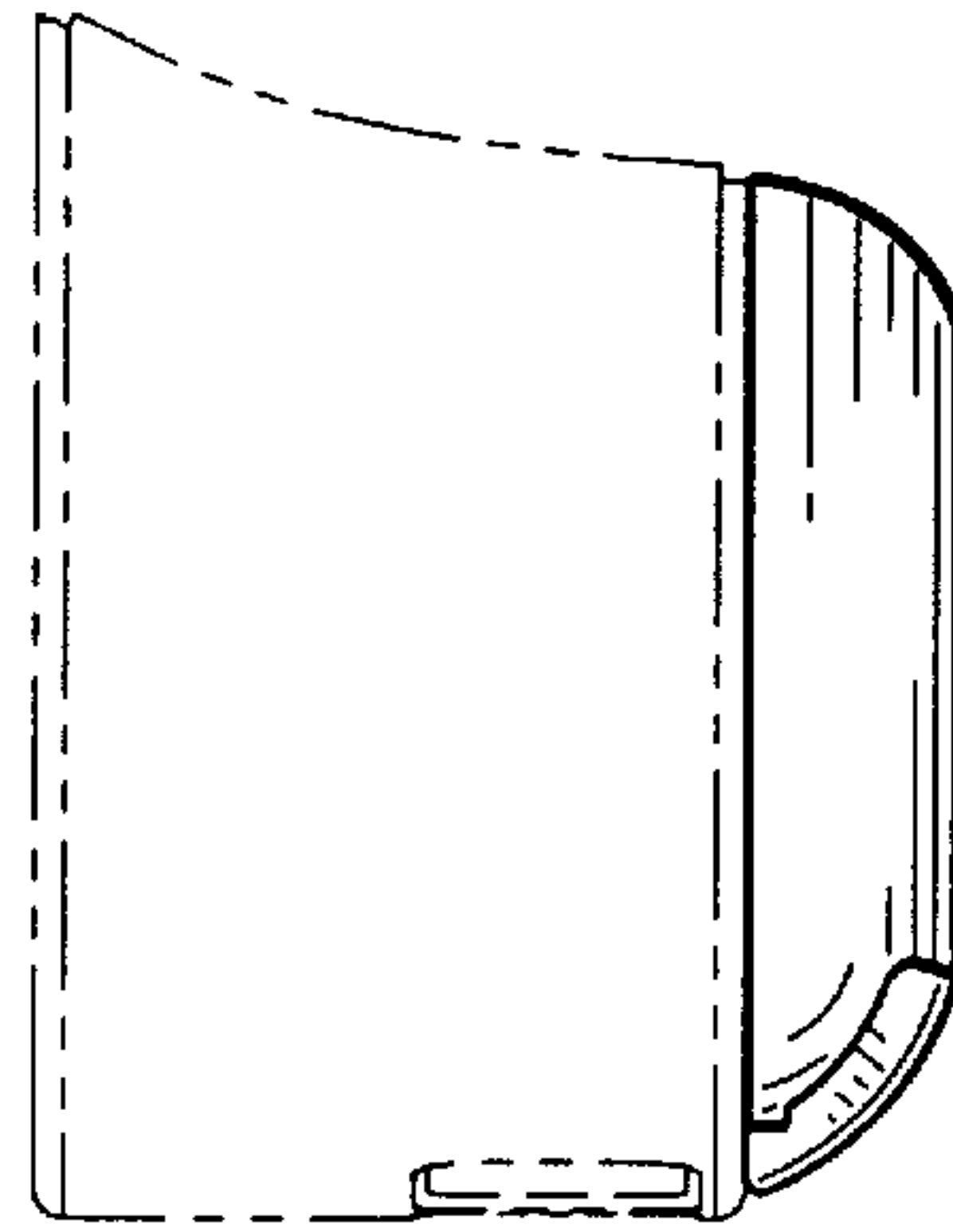


FIG. 11

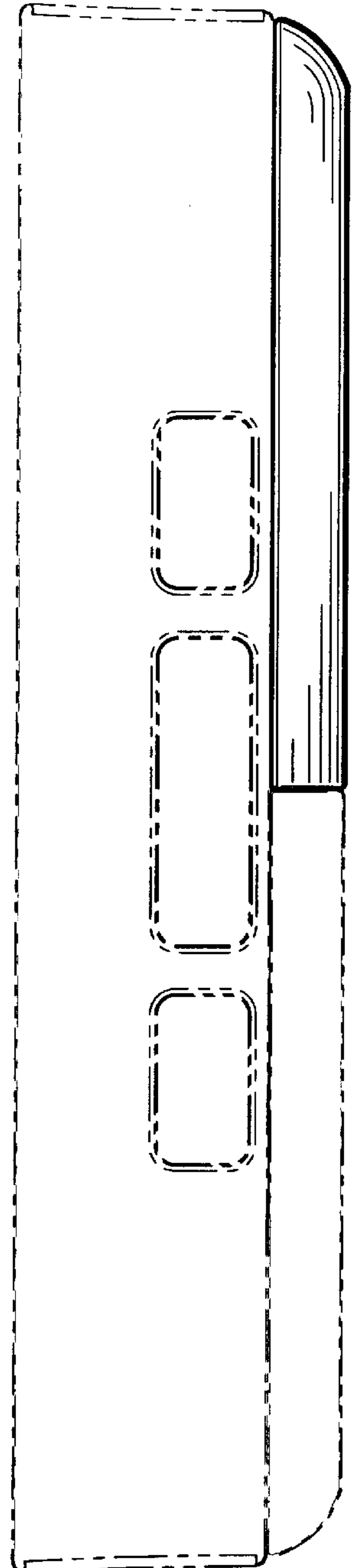


FIG. 12

FIG. 13

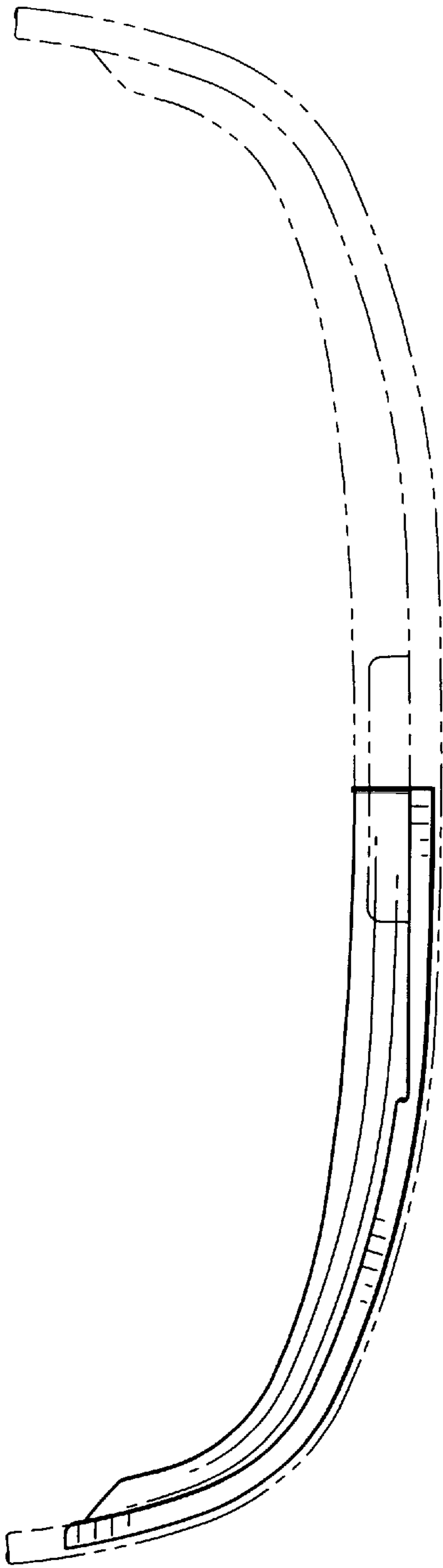


FIG. 14

