



US00D466846S

(12) **United States Design Patent**
Krivenkoff

(10) **Patent No.:** **US D466,846 S**

(45) **Date of Patent:** **** Dec. 10, 2002**

(54) **FRICITION PAD FOR CLUTCH DISK**

5,799,754 A * 9/1998 Kazars et al. 188/250 B
6,367,600 B1 * 4/2002 Arbesman 188/250 G

(76) Inventor: **Oleg B. Krivenkoff**, 2458 N. Merced Ave., So. El Monte, CA (US) 91733

* cited by examiner

(**) Term: **14 Years**

Primary Examiner—Melody N. Brown

(74) *Attorney, Agent, or Firm*—Boniard I. Brown

(21) Appl. No.: **29/155,009**

(57) **CLAIM**

(22) Filed: **Feb. 1, 2002**

The ornamental design for a friction pad for clutch disk, as shown and described.

(51) **LOC (7) Cl.** **12-16**

DESCRIPTION

(52) **U.S. Cl.** **D12/180**

FIG. 1 is a perspective view of a friction pad for clutch disk, showing my new design;

(58) **Field of Search** D12/180; 188/73.1, 188/250 B, 250 G, 73.45

FIG. 2 is a front view thereof;

FIG. 3 is a top view thereof;

FIG. 4 is a bottom view thereof;

FIG. 5 is a right edge view thereof; the left edge view is a mirror image of FIG. 5; and,

FIG. 6 is a rear view thereof.

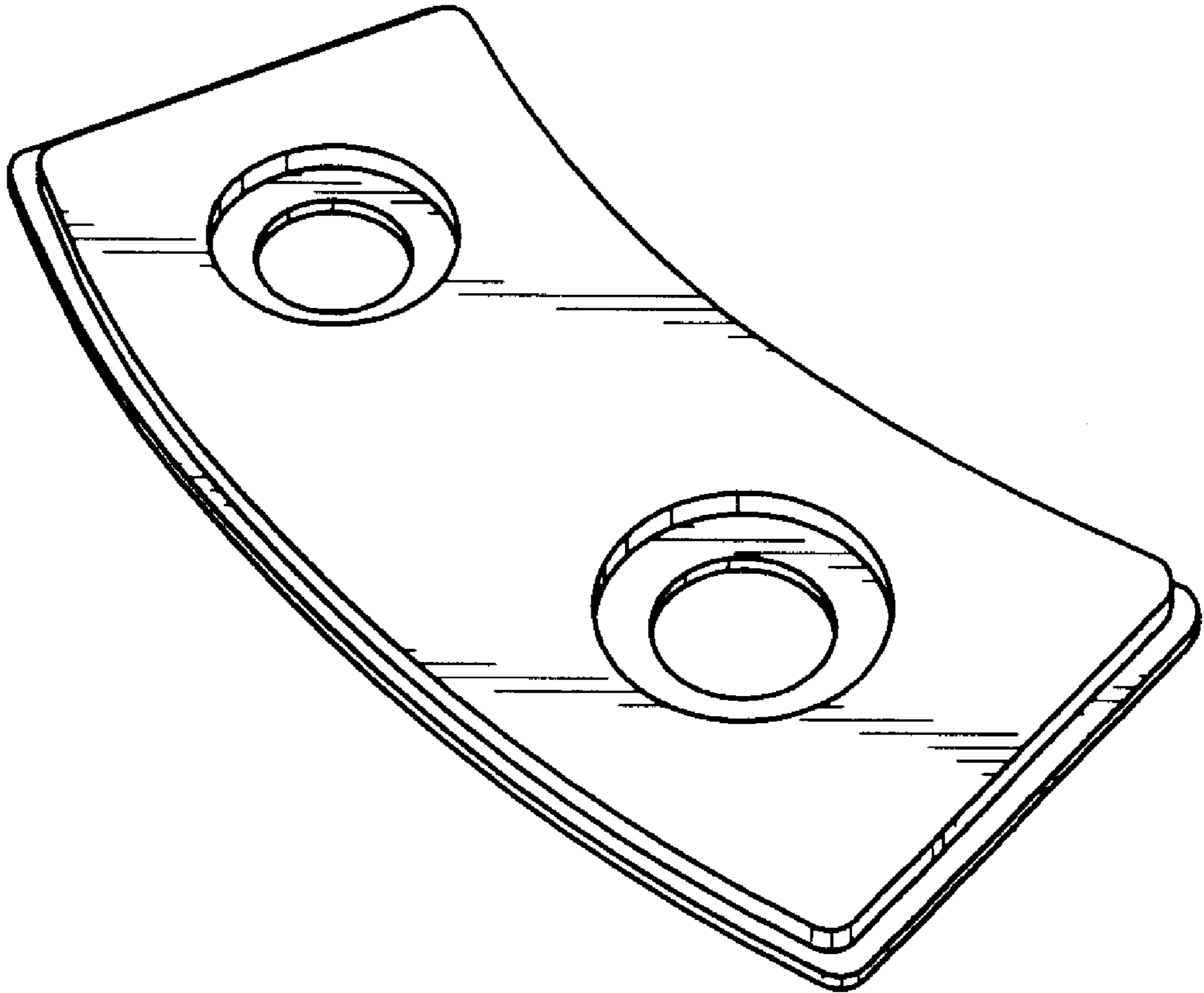
(56) **References Cited**

U.S. PATENT DOCUMENTS

D356,985 S * 4/1995 Steinke et al. D12/180

D359,020 S * 6/1995 Steinke et al. D12/180

1 Claim, 1 Drawing Sheet



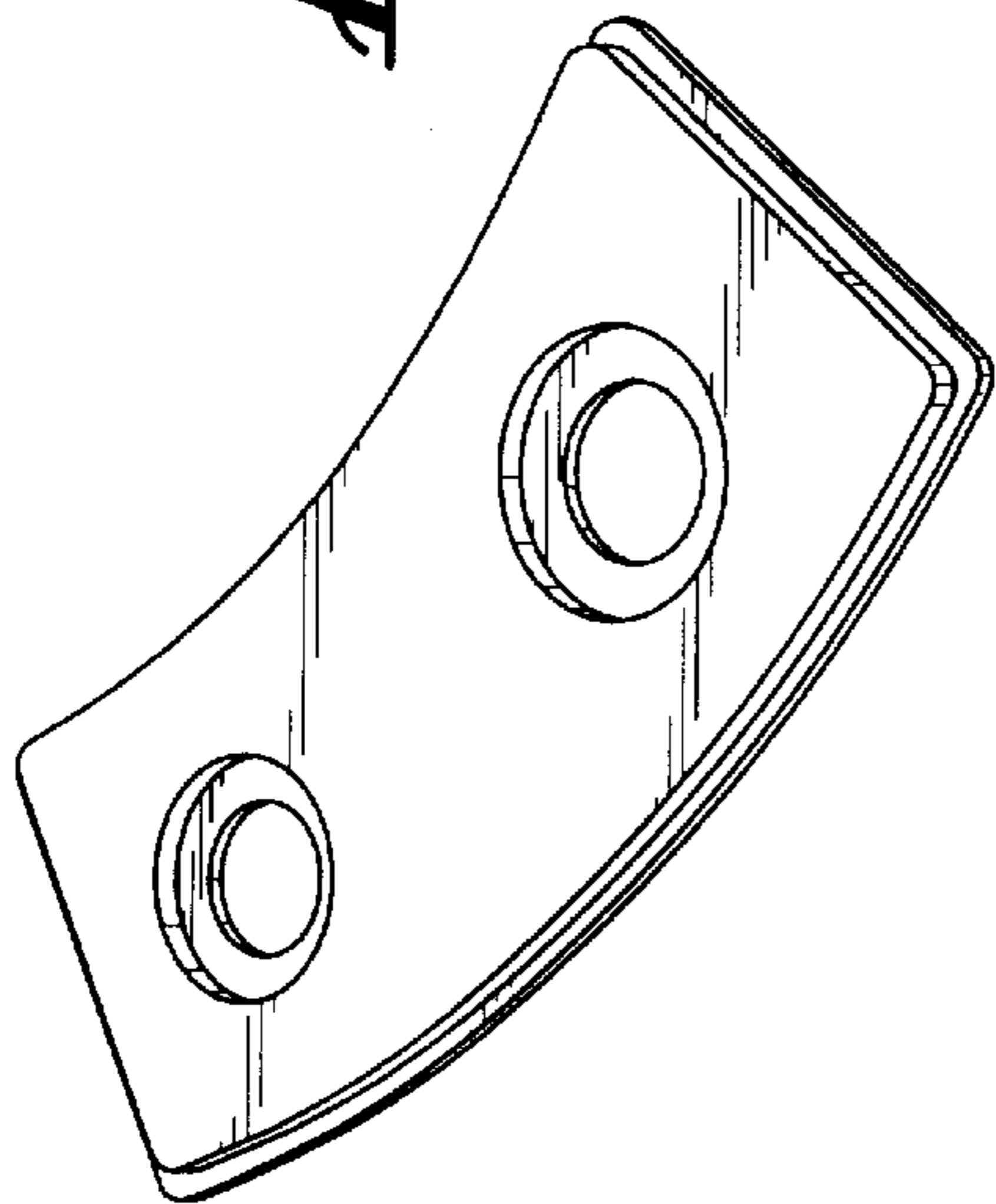


FIG. 1

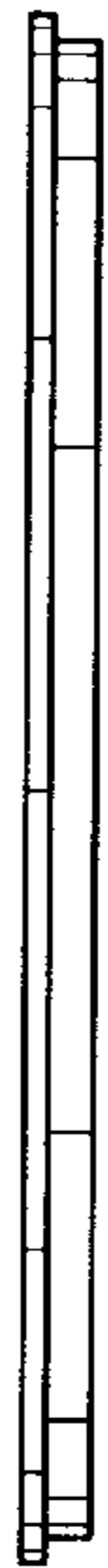


FIG. 3

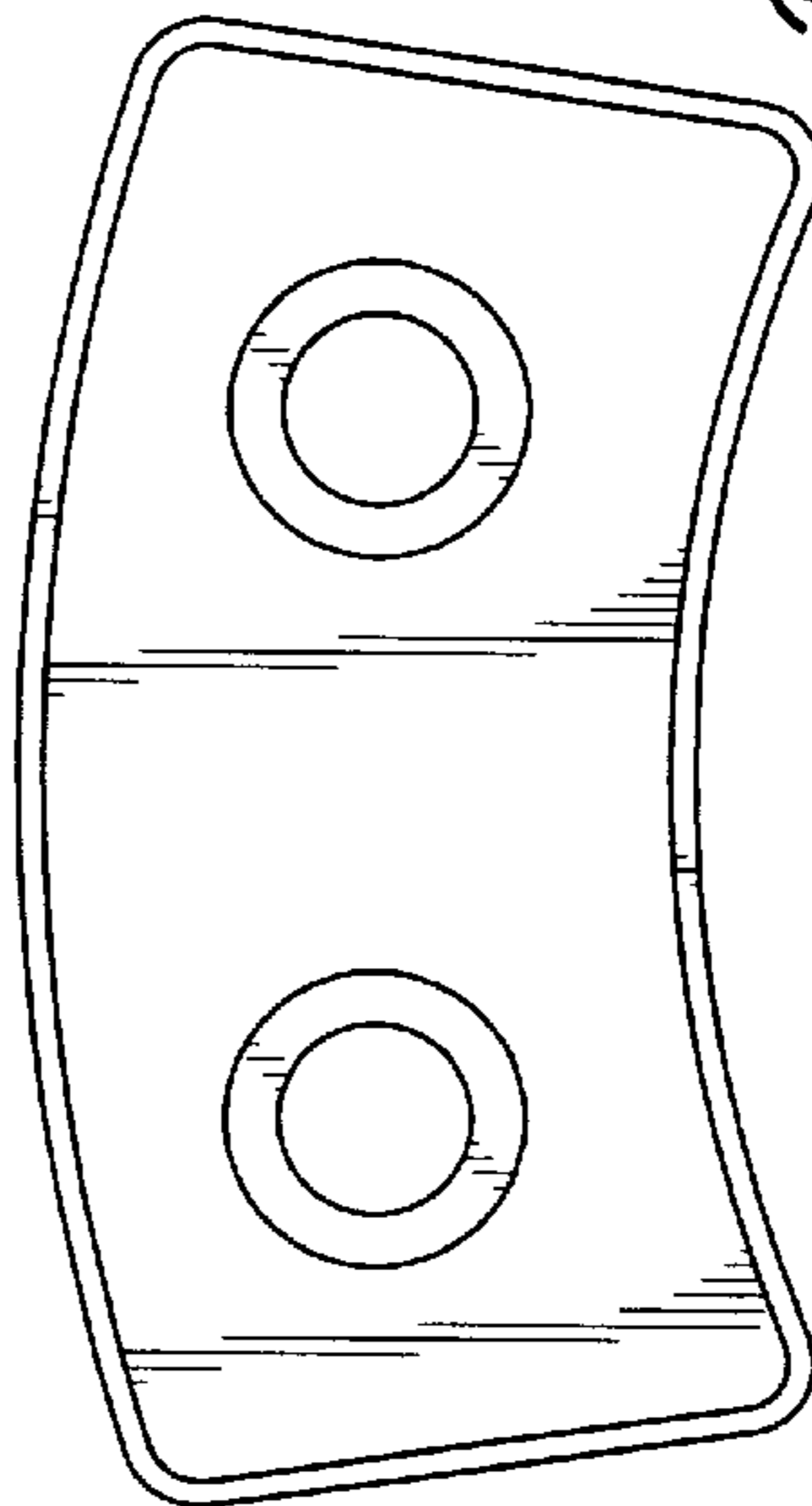


FIG. 2

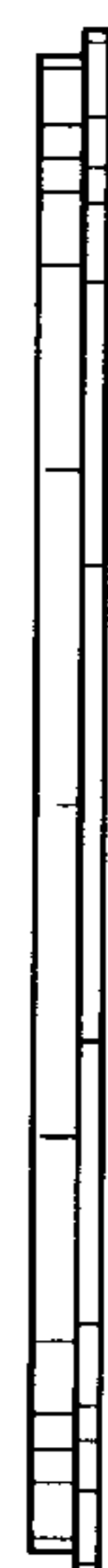


FIG. 4

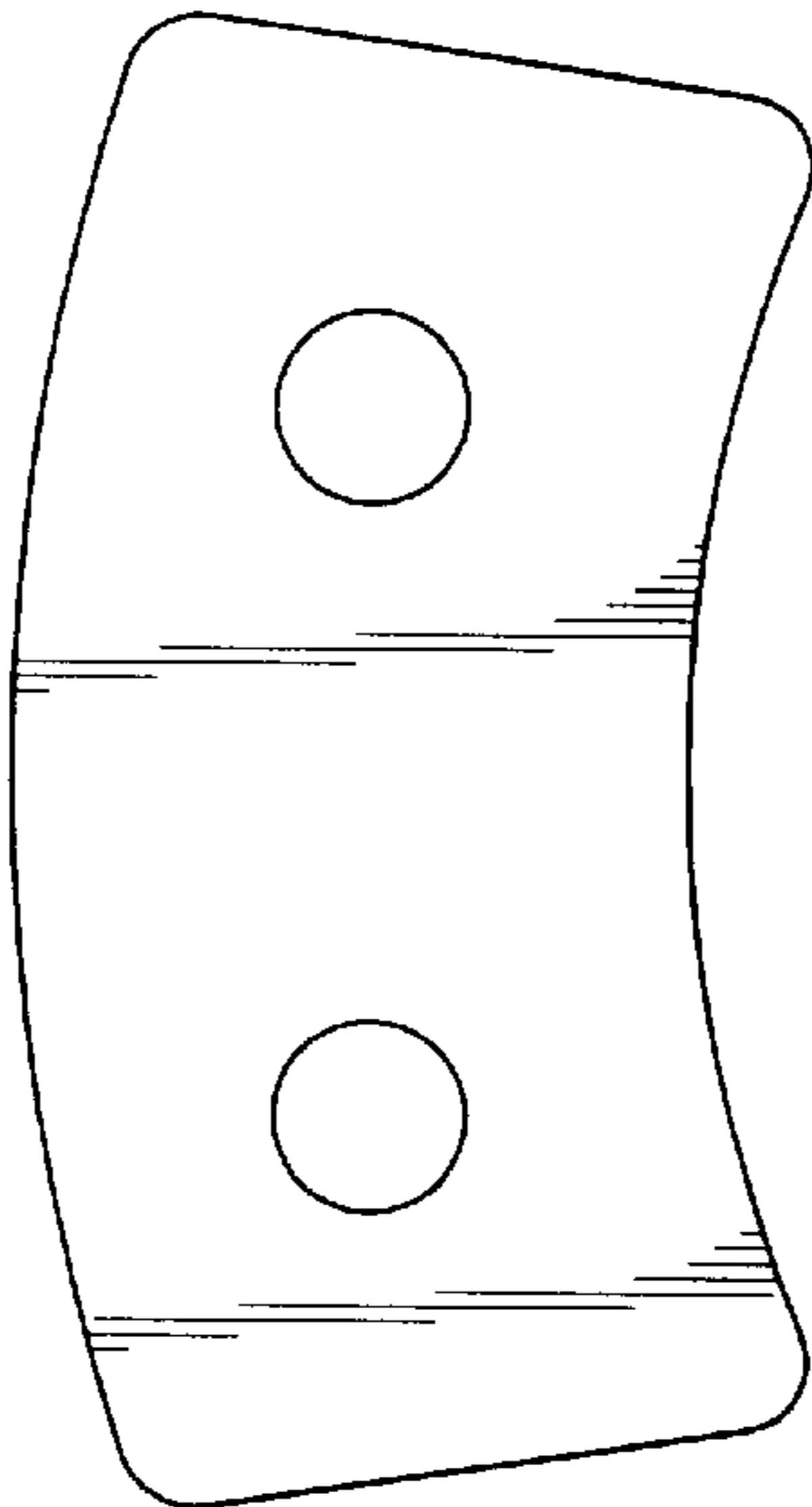


FIG. 0

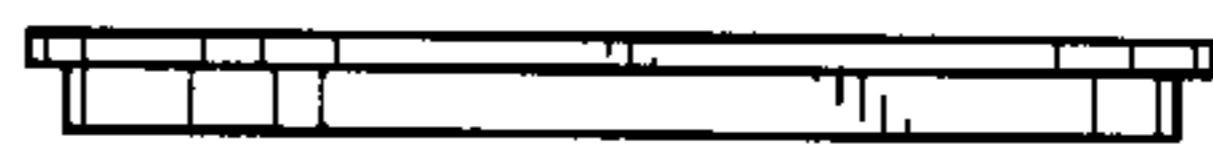


FIG. 5