



US00D466844S

(12) **United States Design Patent**
Billings

(10) **Patent No.:** **US D466,844 S**

(45) **Date of Patent:** **** Dec. 10, 2002**

(54) **STYLIZED TRAILER HITCH BAR**

(76) **Inventor:** **Andrew Billings**, 1194 Sir Doyle Cove,
Southaven, MS (US) 39671

(**) **Term:** **14 Years**

(21) **Appl. No.:** **29/116,206**

(22) **Filed:** **Dec. 29, 1999**

(51) **LOC (7) Cl.** **12-16**

(52) **U.S. Cl.** **D12/162**

(58) **Field of Search** D12/162; 280/504,
280/507, 511-514, 477, 478, 415.1-417.1,
493-495, 491.3

(56) **References Cited**

U.S. PATENT DOCUMENTS

| | | | | | |
|-------------|---|---------|--------------|-------|---------|
| D157,643 S | * | 3/1950 | Swaigood | | D12/162 |
| D158,372 S | * | 5/1950 | Gee | | D12/162 |
| D173,549 S | * | 11/1954 | Taylor | | D12/162 |
| 3,738,683 A | * | 6/1973 | Tate | | 280/478 |
| D317,426 S | * | 6/1991 | Lytle | | D12/162 |
| D331,899 S | * | 12/1992 | Brisson | | D12/162 |
| D369,581 S | * | 5/1996 | McCoy et al. | | D12/162 |
| D369,582 S | * | 5/1996 | McCoy et al. | | D12/162 |
| D376,780 S | * | 12/1996 | McCoy | | D12/162 |

| | | | | | |
|------------|---|--------|-------------|-------|---------|
| D431,216 S | * | 9/2000 | Bekinky | | D12/162 |
| D443,567 S | * | 6/2001 | Weir et al. | | D12/162 |
| D444,746 S | * | 7/2001 | Wherley | | D12/162 |

* cited by examiner

Primary Examiner—Stacia Cadmus

(74) *Attorney, Agent, or Firm*—Garvey, Smith, Nehrbass &
Doody, L.L.C.

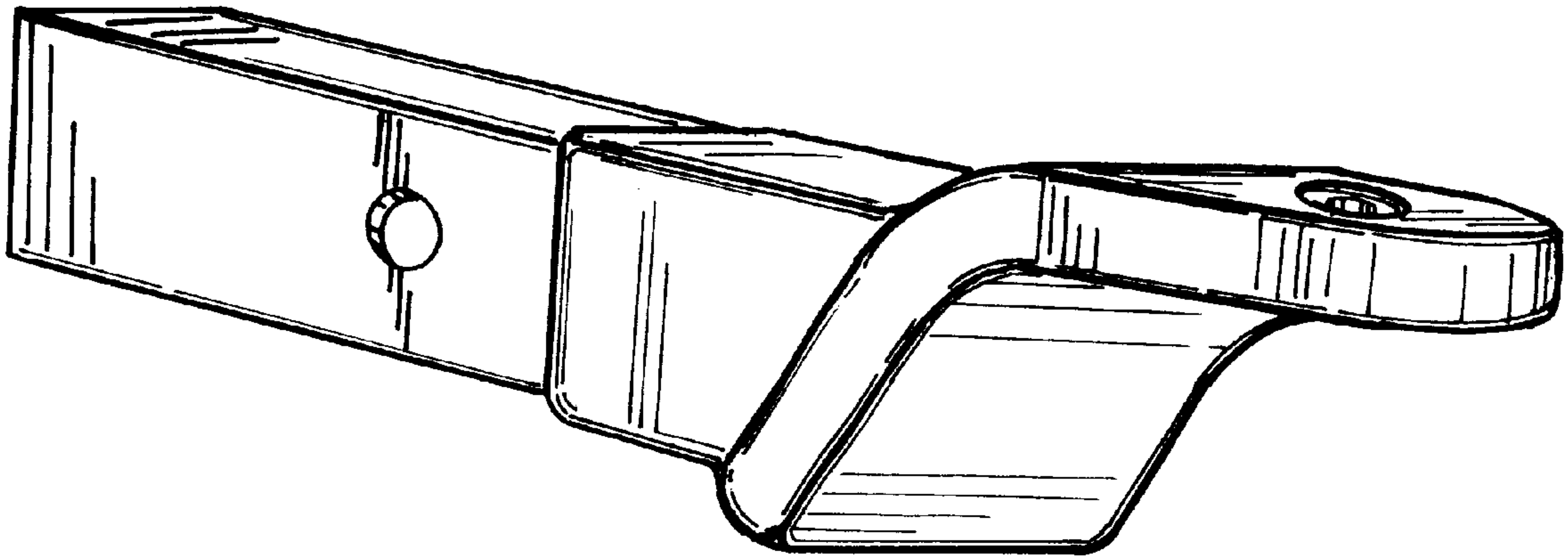
(57) **CLAIM**

The ornamental design for a stylized trailer hitch bar, as shown and described.

DESCRIPTION

FIG. 1 is a left side elevational view of the stylized trailer hitch bar of my design, the undisclosed right side elevational view being a mirror image thereof; FIG. 2 is a top view thereof; FIG. 3 is a front elevational view thereof; and FIG. 4 is a rear elevational view thereof; FIG. 5 is a bottom view thereof; and, FIG. 6 is a perspective view of the invention. The broken line showing of environment is for illustrative purposes only and forms no part of the claimed design.

1 Claim, 2 Drawing Sheets



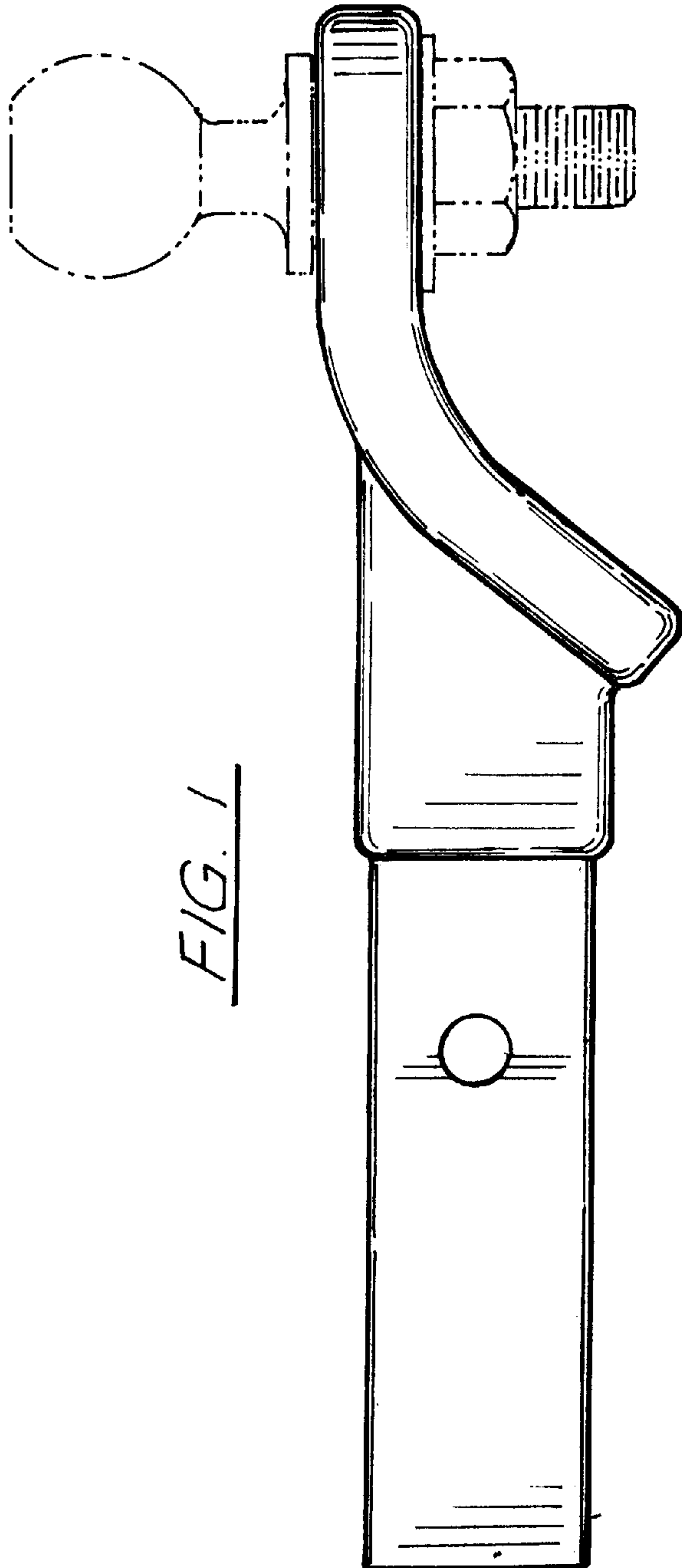


FIG. 1

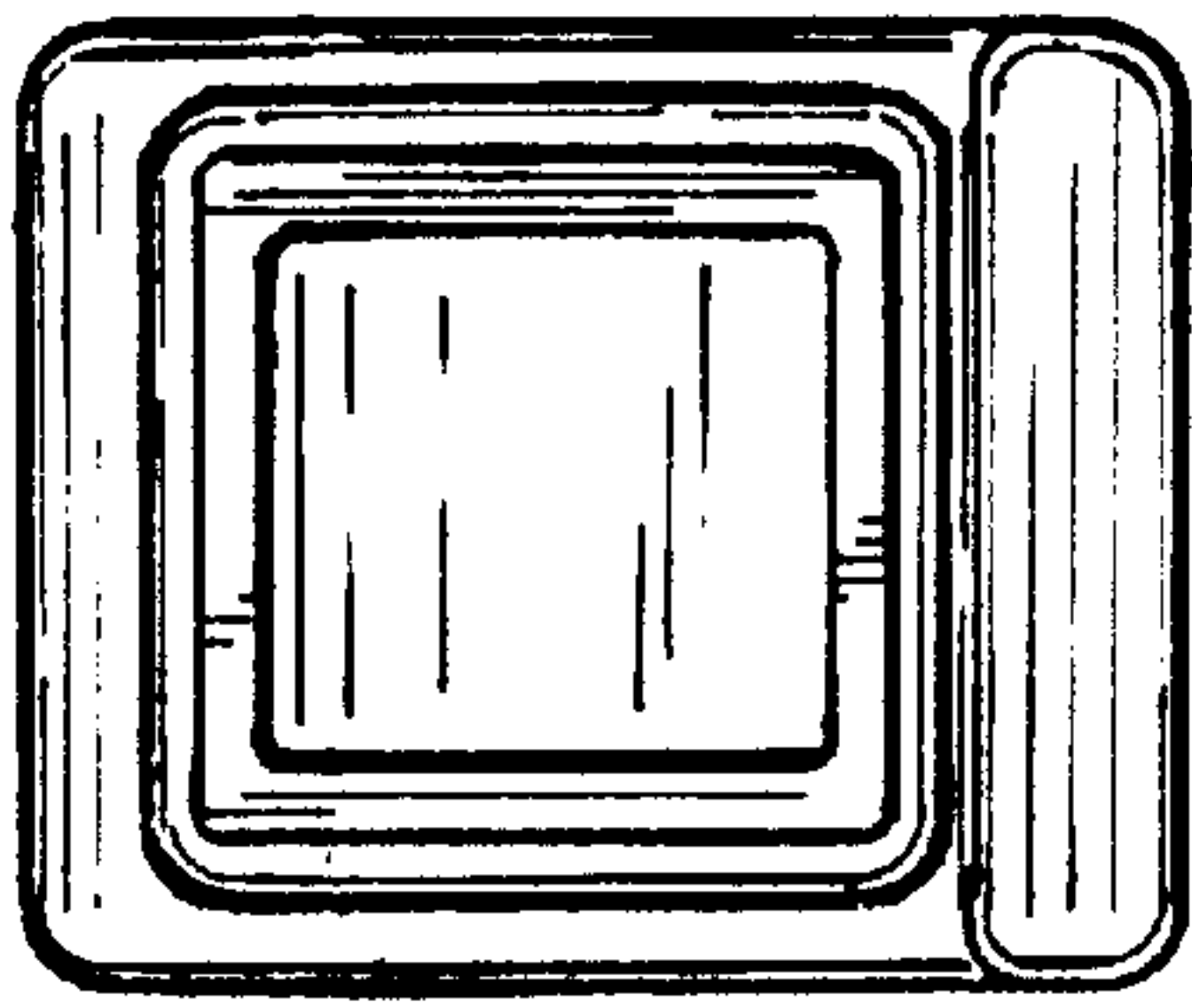


FIG. 3

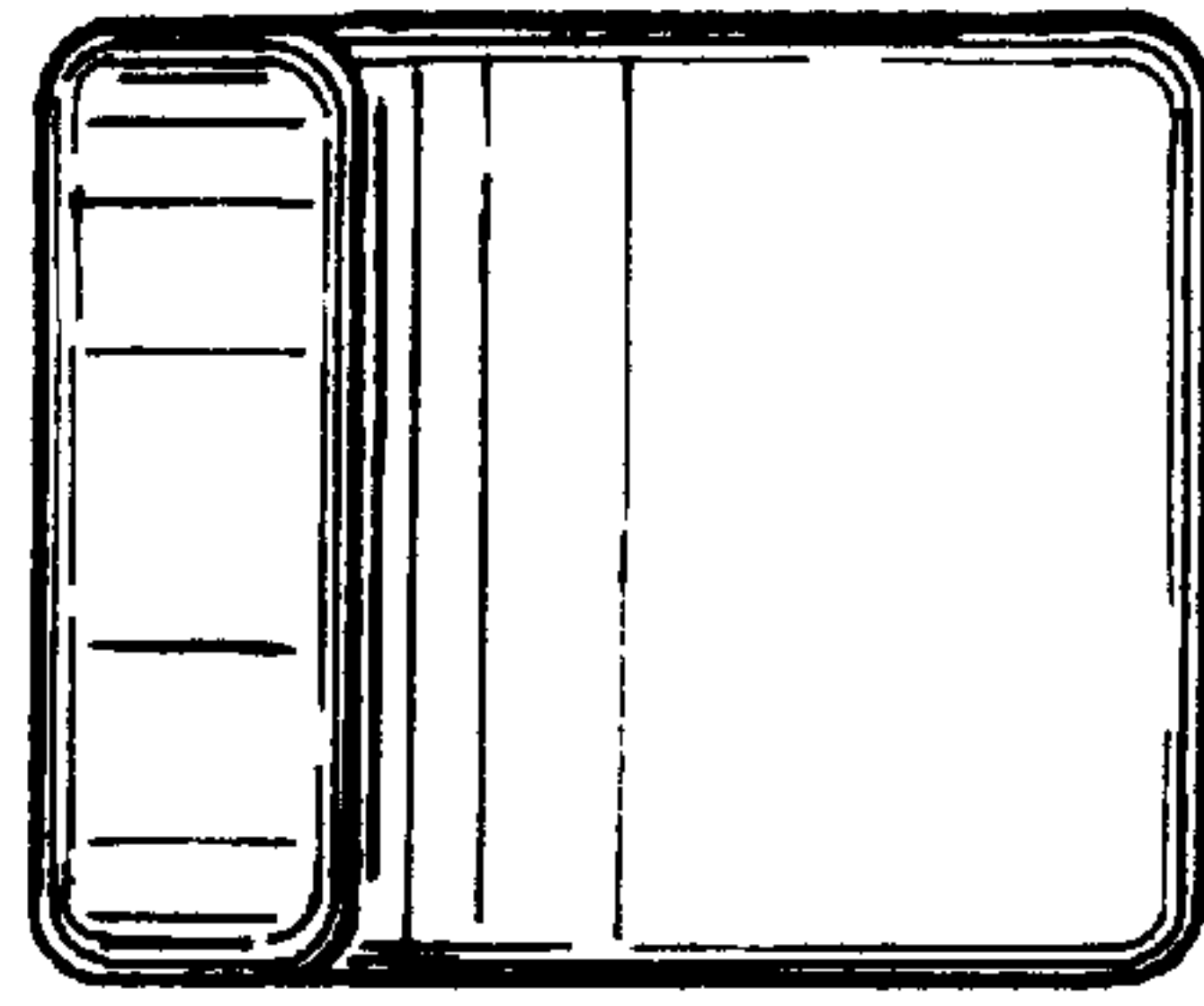


FIG. 4

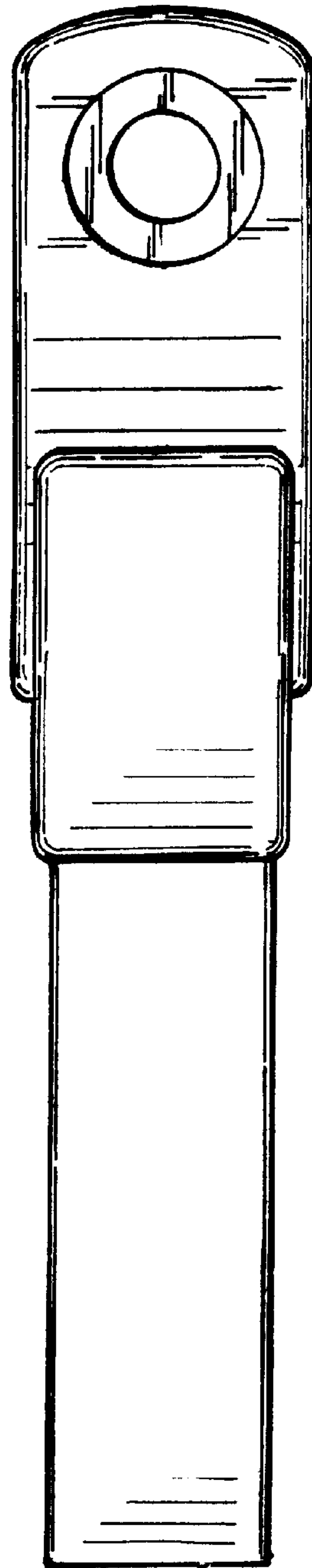


FIG. 2

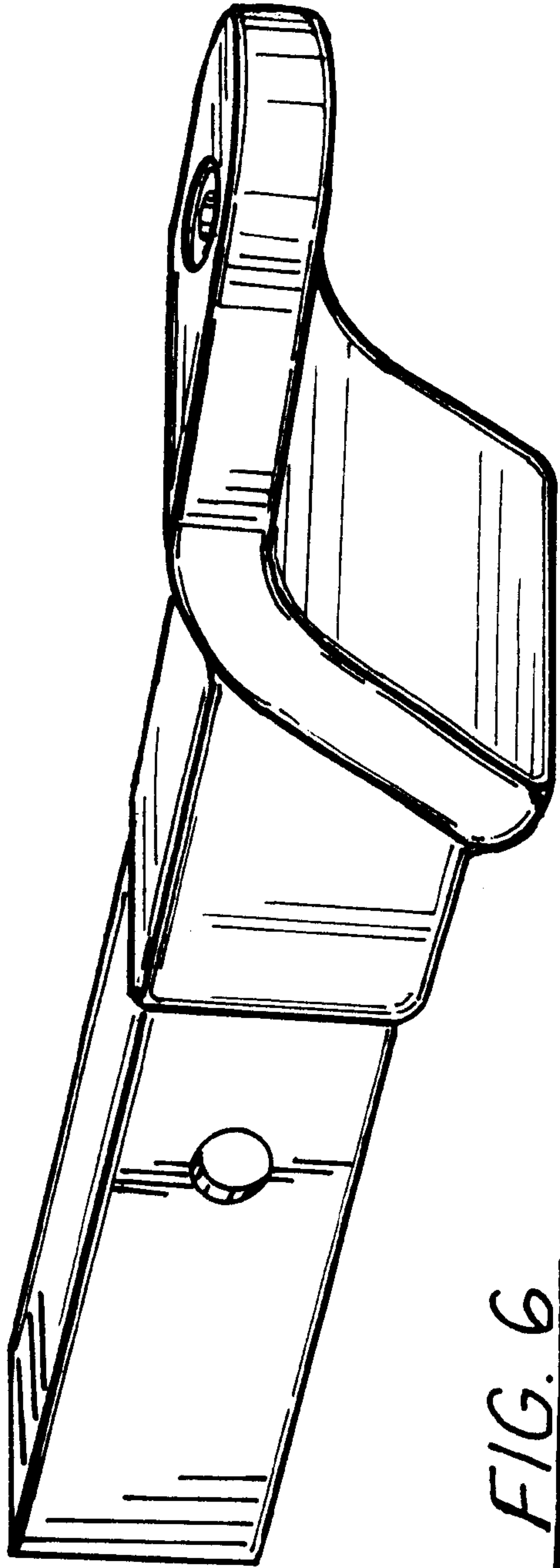


FIG. 6

FIG. 5

