



US00D466842S

(12) **United States Design Patent**
Lems

(10) **Patent No.:** **US D466,842 S**

(45) **Date of Patent:** **** Dec. 10, 2002**

(54) **MOTORCYCLE STAND**

(75) Inventor: **David W. Lems**, 212 E. Jefferson,
Inwood, IA (US) 51240

(73) Assignee: **David W. Lems**, Inwood, IA (US)

(**) Term: **14 Years**

(21) Appl. No.: **29/147,283**

(22) Filed: **Aug. 24, 2001**

(51) **LOC (7) Cl.** **12-11**

(52) **U.S. Cl.** **D12/115**

(58) **Field of Search** D12/114, 115,
D12/120, 408; 211/17-22; 280/293; 224/533-537,
315; 248/551, 176.1

(56) **References Cited**

U.S. PATENT DOCUMENTS

D298,524 S * 11/1988 De Luca D12/115
D359,466 S * 6/1995 Eggers et al. D12/115

* cited by examiner

Primary Examiner—Alan P. Douglas

Assistant Examiner—Linda Brooks

(74) *Attorney, Agent, or Firm*—Trask Britt, P.C.

(57) **CLAIM**

The ornamental design for a motorcycle stand, as shown and described.

DESCRIPTION

FIG. 1 is a perspective view of the motorcycle stand showing my new design;

FIG. 2 is a front elevational view of the motorcycle stand shown in FIG. 1;

FIG. 3 is a rear elevational view of the motorcycle stand shown in FIG. 1;

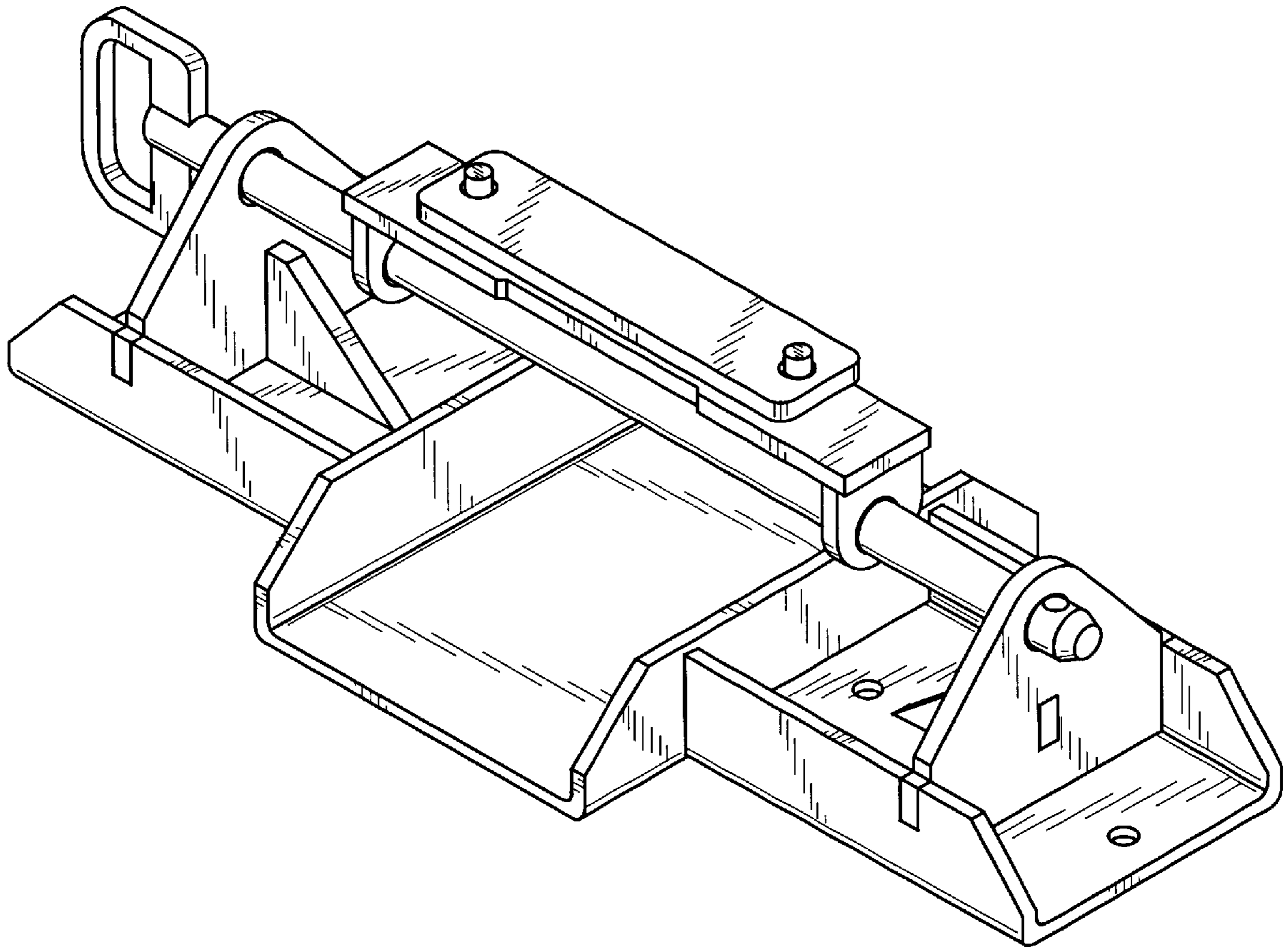
FIG. 4 is a right side elevational view of the motorcycle stand shown in FIG. 1;

FIG. 5 is a left side elevational view of the motorcycle stand shown in FIG. 1;

FIG. 6 is a top view of the motorcycle stand shown in FIG. 1; and,

FIG. 7 is a bottom view of the motorcycle stand shown in FIG. 1.

1 Claim, 3 Drawing Sheets



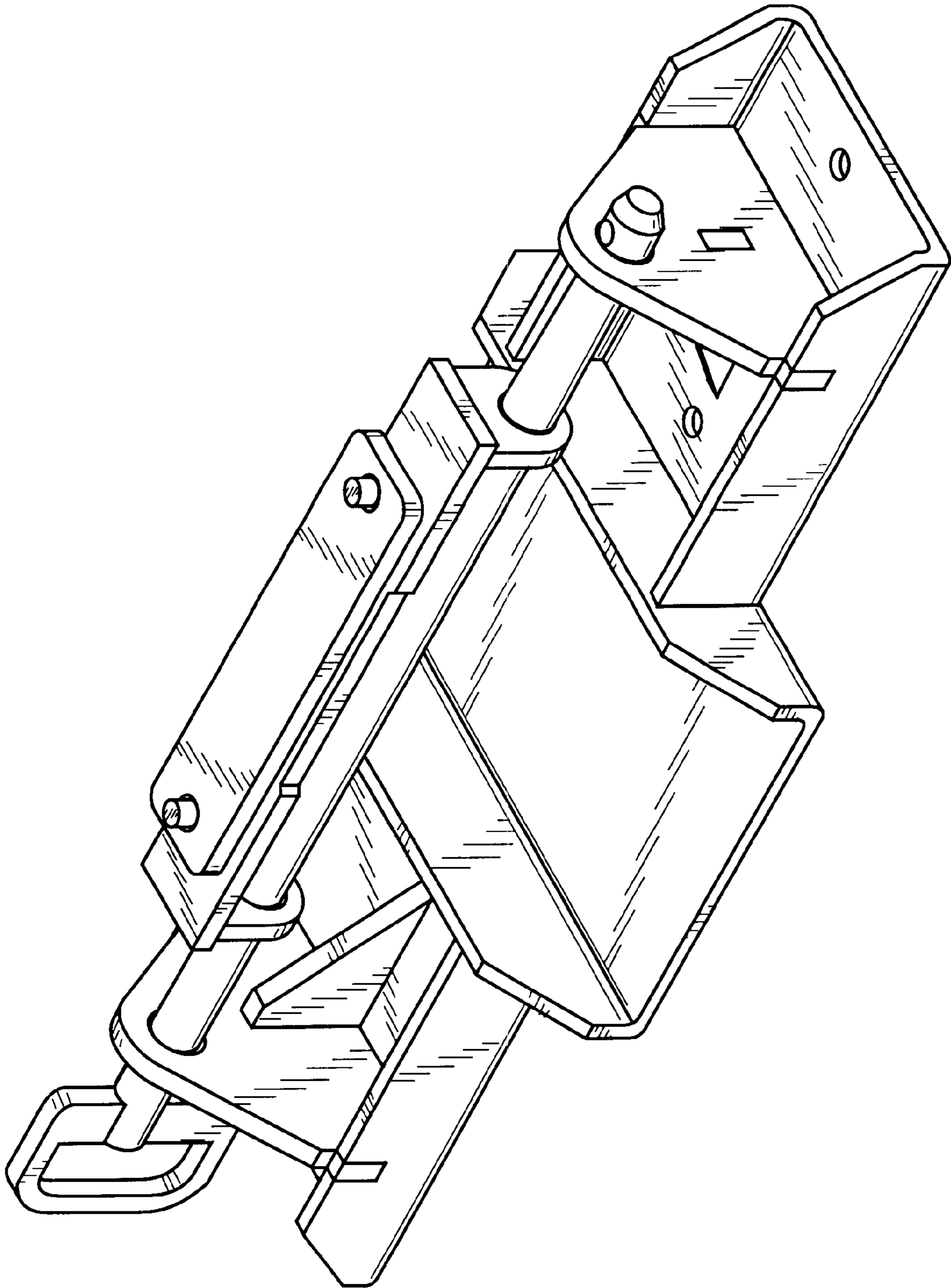


Fig. 1

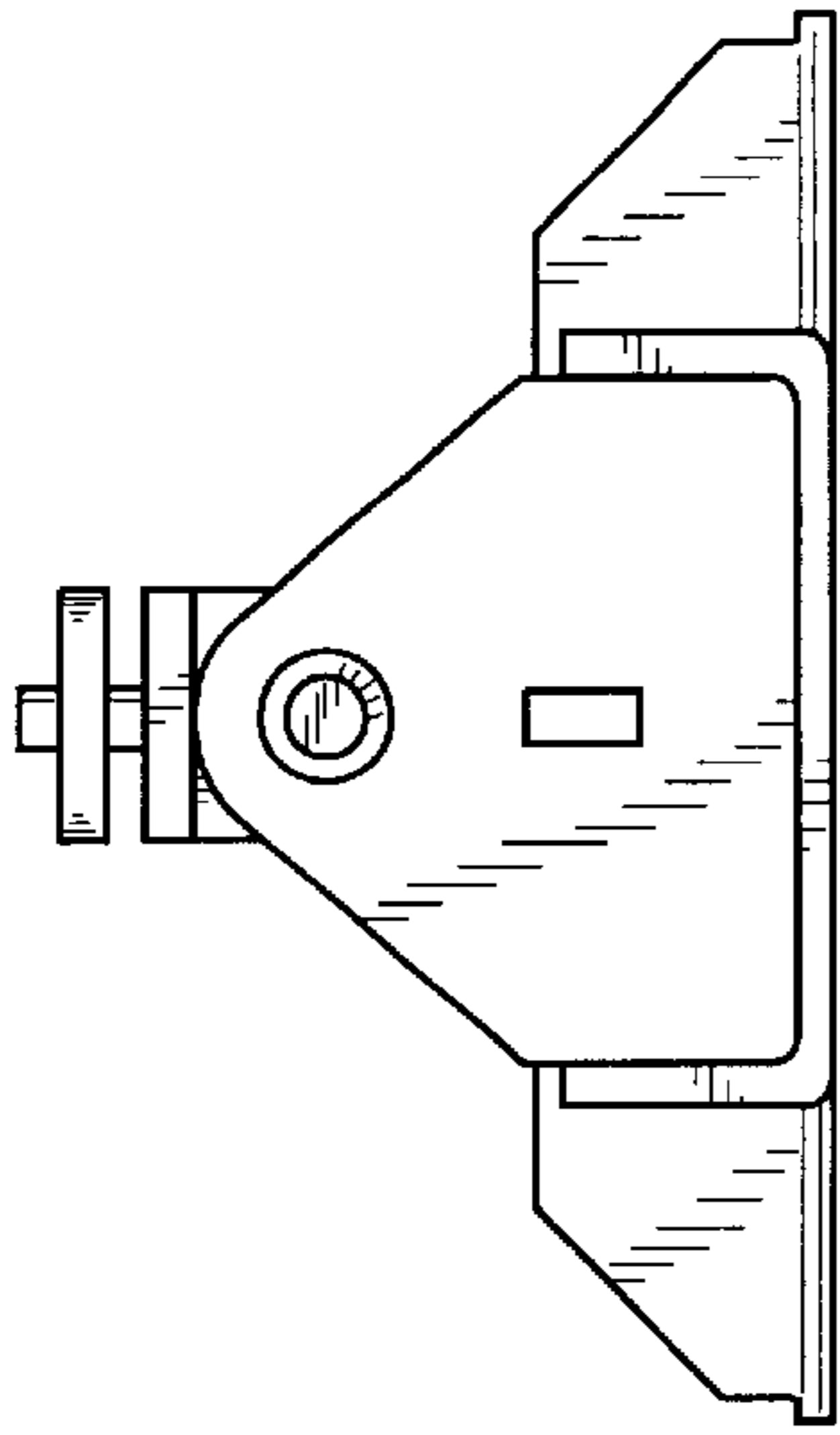


Fig. 4

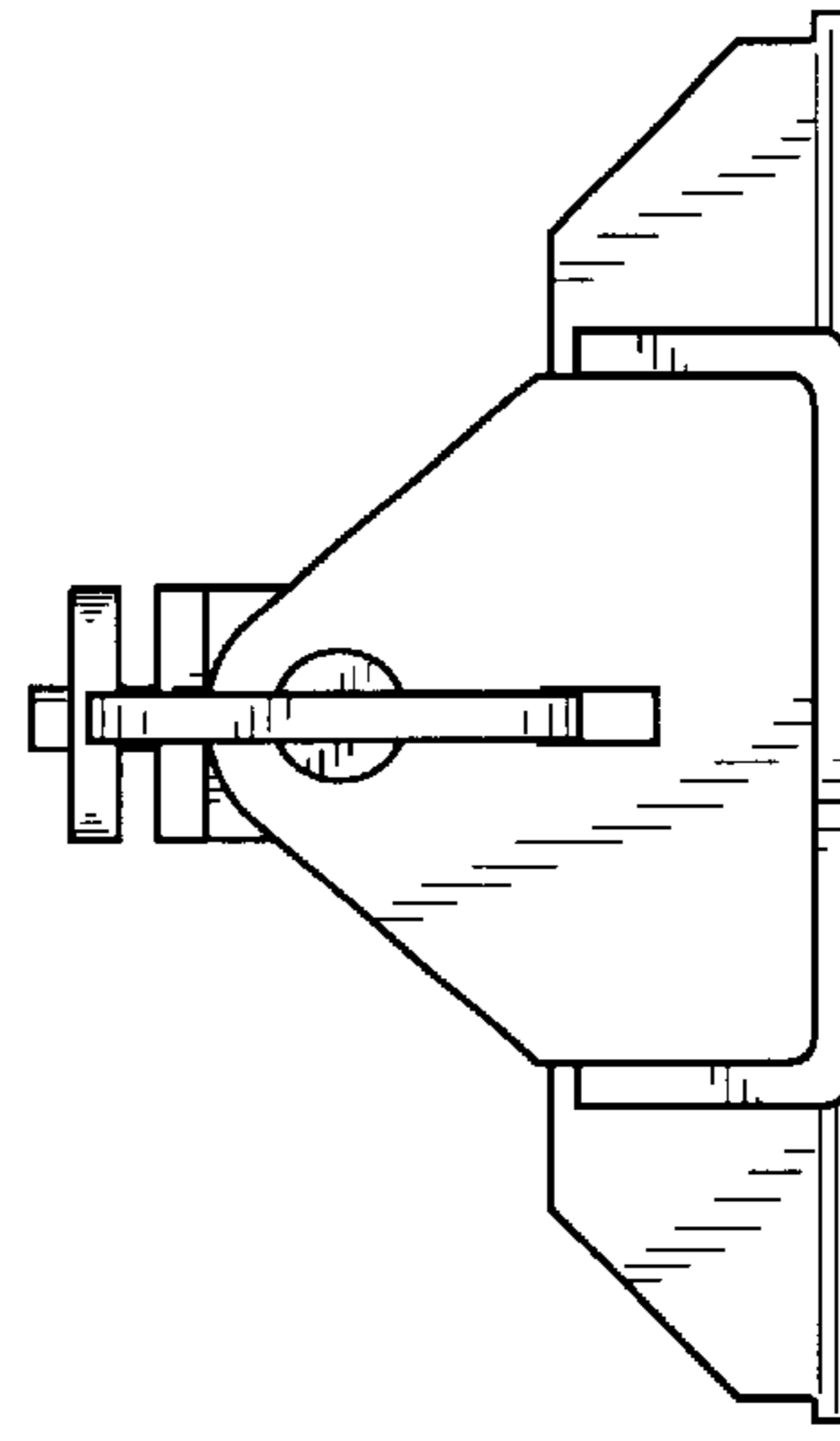


Fig. 5

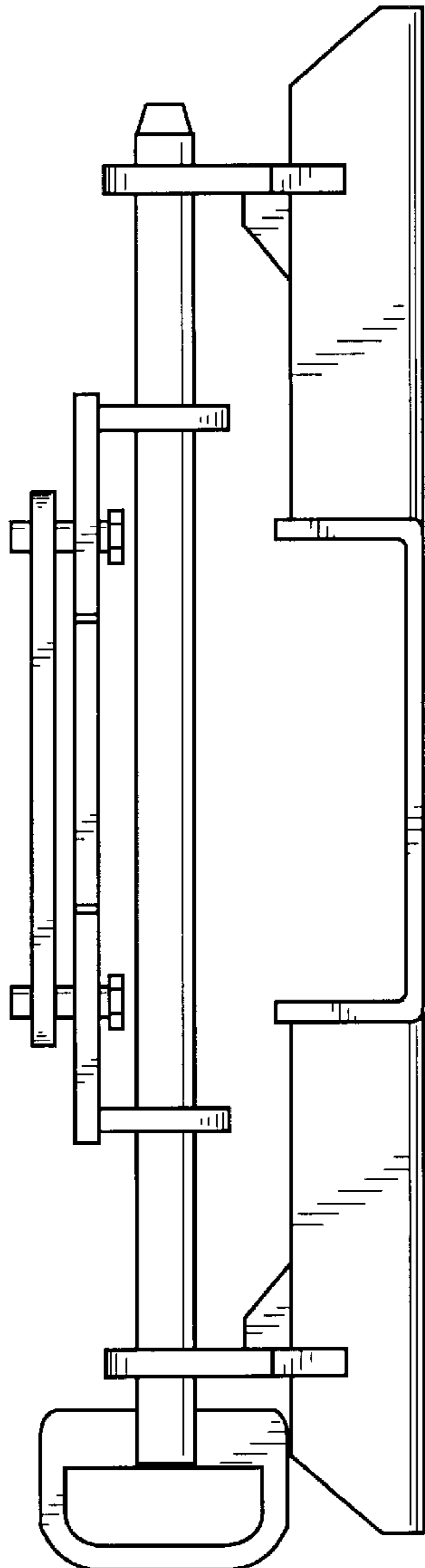


Fig. 2

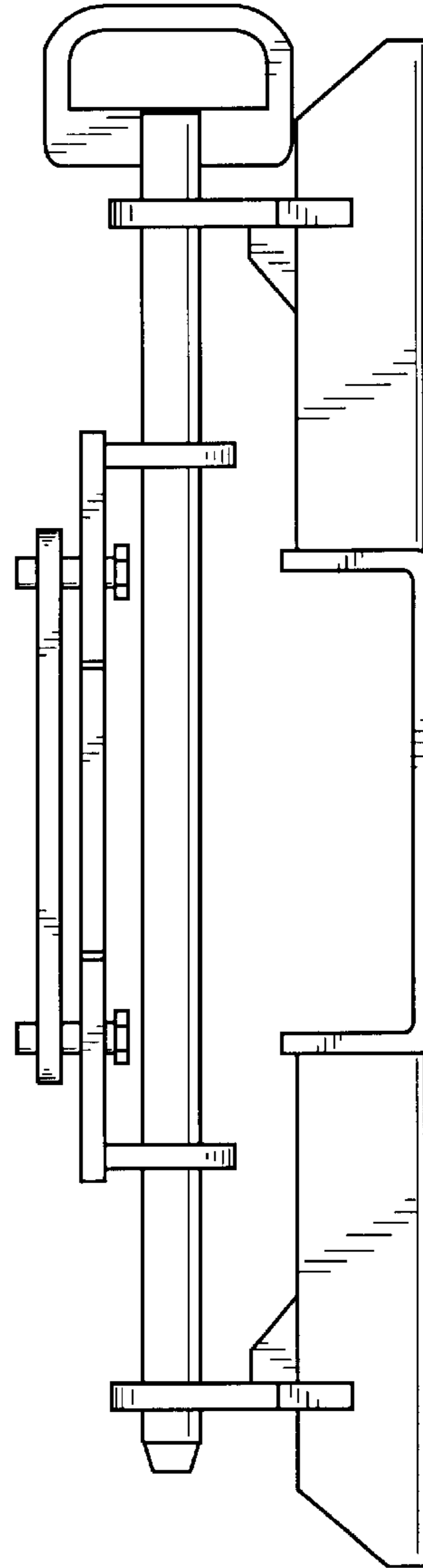


Fig. 3

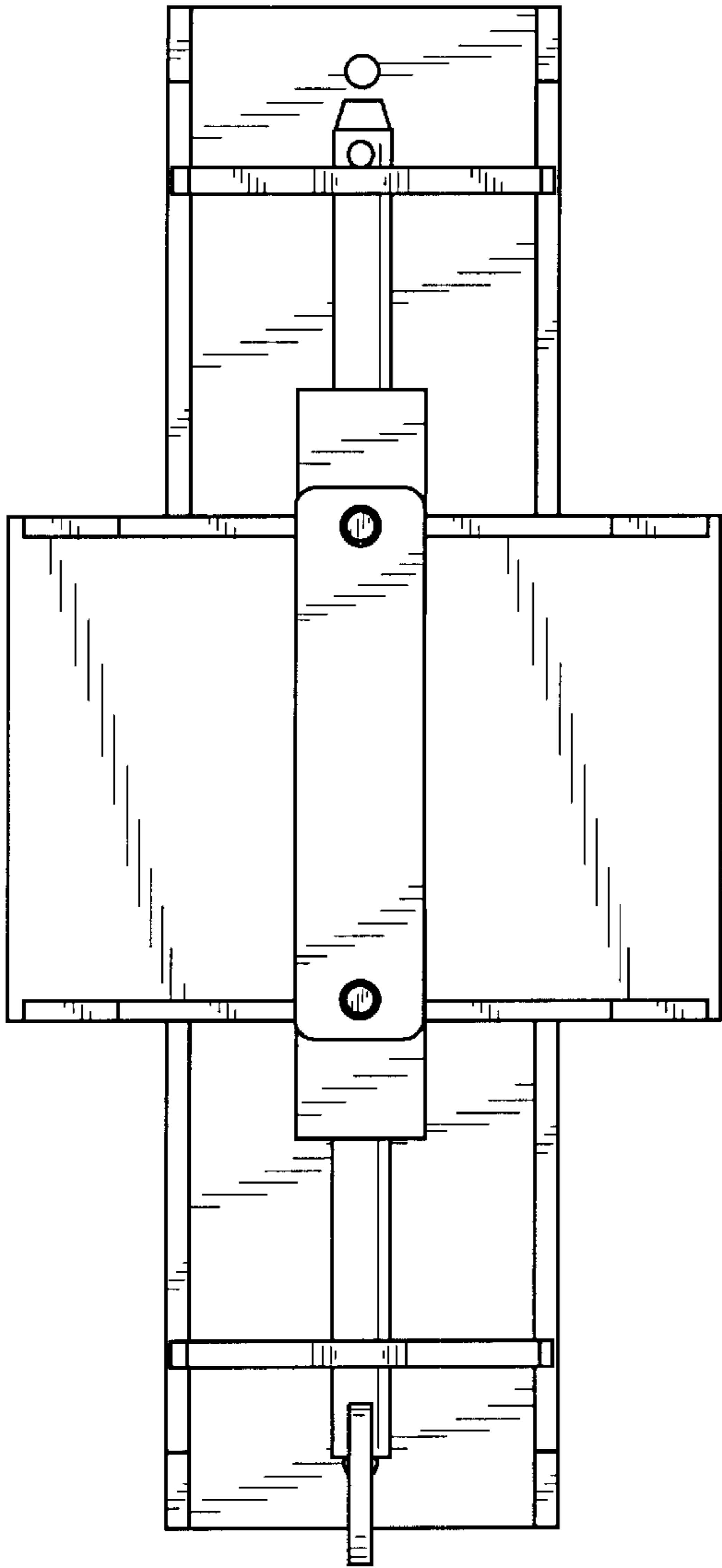


Fig. 6

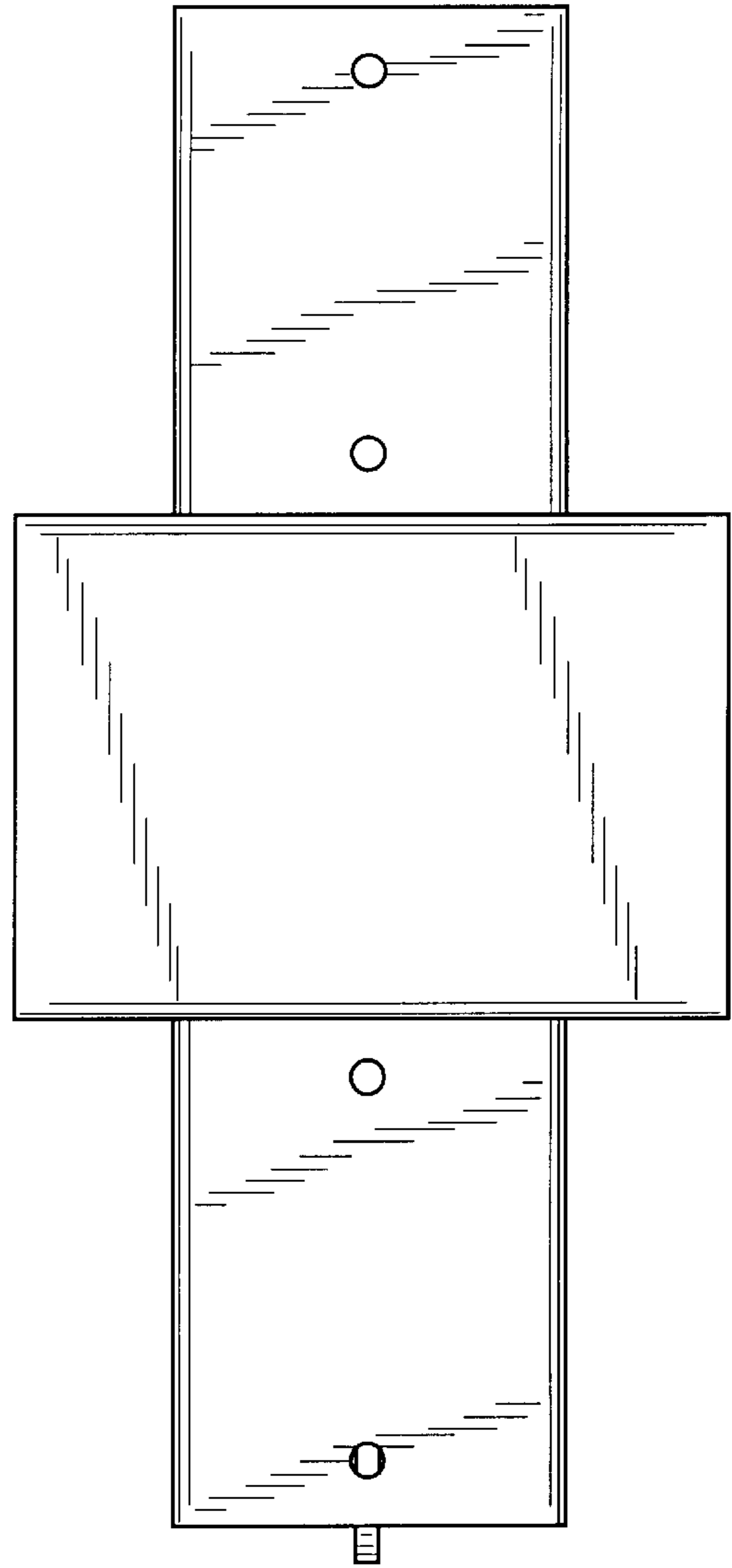


Fig. 7