



US00D466839S

(12) **United States Design Patent**
Ou

(10) **Patent No.:** **US D466,839 S**

(45) **Date of Patent:** **** Dec. 10, 2002**

(54) **FOLDABLE ELECTRIC VEHICLE FOR RECREATION AND TRAVELLING**

D291,187 S * 8/1987 Smith et al. D12/111
4,844,494 A * 7/1989 Blanchard 280/278
D383,099 S * 9/1997 Huang D12/111

(75) Inventor: **Pao-Yin Ou**, Hsinchu (TW)

* cited by examiner

(73) Assignees: **Hamba R&D Co., Ltd.**, Taipei (TW);
Wuxi Top Absorber Company Limited, Jiangsu (CN)

Primary Examiner—Alan P. Douglas
Assistant Examiner—Linda Brooks
(74) *Attorney, Agent, or Firm*—Troxell Law Office PLLC

(**) Term: **14 Years**

(57) **CLAIM**

(21) Appl. No.: **29/150,272**

The ornamental design for a foldable electric vehicle for recreation and travelling, as shown and described.

(22) Filed: **Nov. 20, 2001**

DESCRIPTION

(30) **Foreign Application Priority Data**

Sep. 14, 2001 (TW) 90305971

FIG. 1 is a perspective view of a foldable electric vehicle for recreation and travelling showing my design;
FIG. 2 is a front plan view thereof;
FIG. 3 is a rear plan view thereof;
FIG. 4 is a left side elevational view thereof;
FIG. 5 is a right side elevational view thereof;
FIG. 6 is a top elevational view thereof;
FIG. 7 is a bottom elevational view thereof; and,
FIG. 8 is a right side elevational view showing another application status thereof.

(51) **LOC (7) Cl.** **12-11**

(52) **U.S. Cl.** **D12/110**

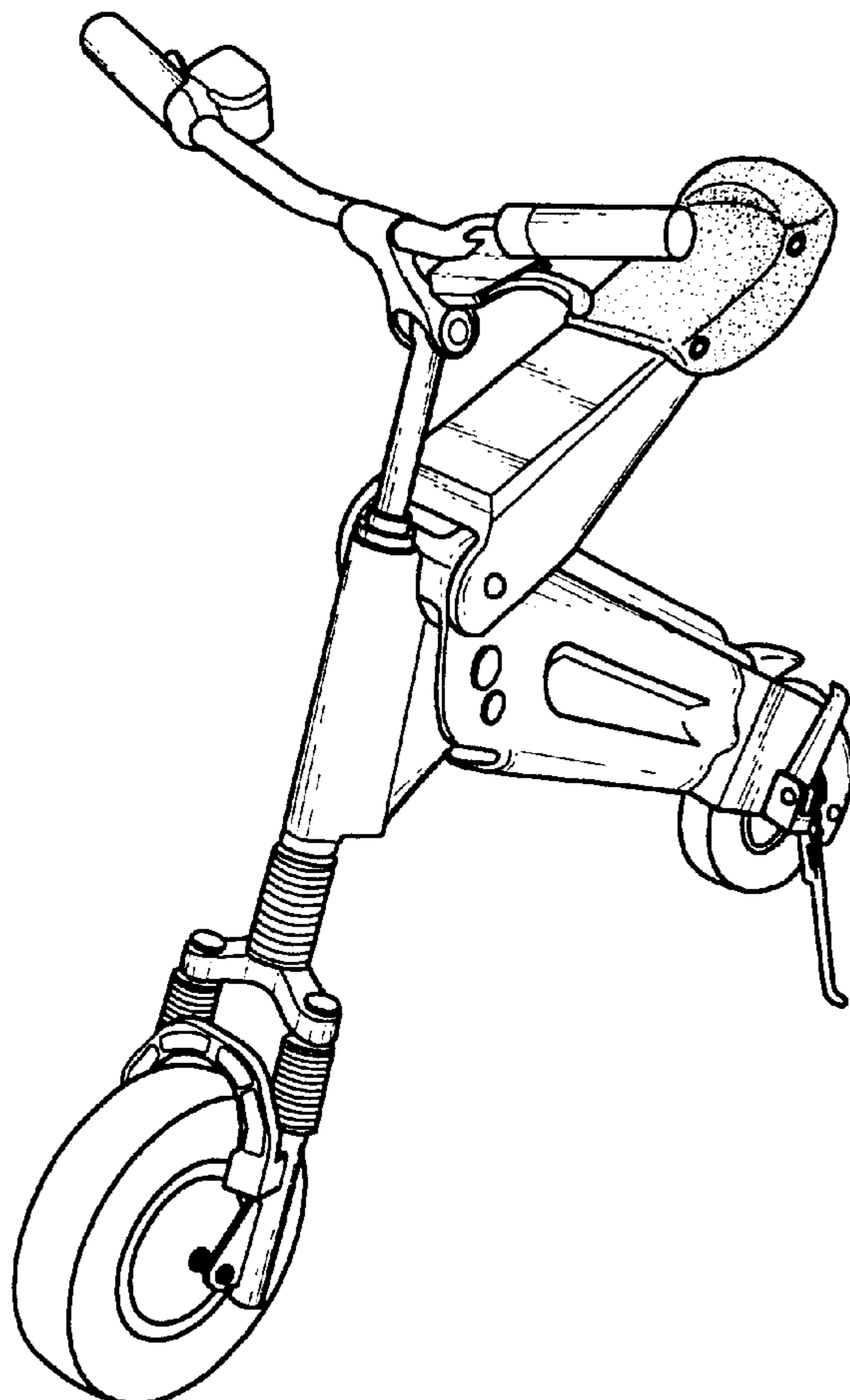
(58) **Field of Search** D12/110, 111;
280/274-280, 281.1, 283-288, 288.1-288.3

(56) **References Cited**

U.S. PATENT DOCUMENTS

D231,345 S * 4/1974 Gutknecht D12/111

1 Claim, 5 Drawing Sheets



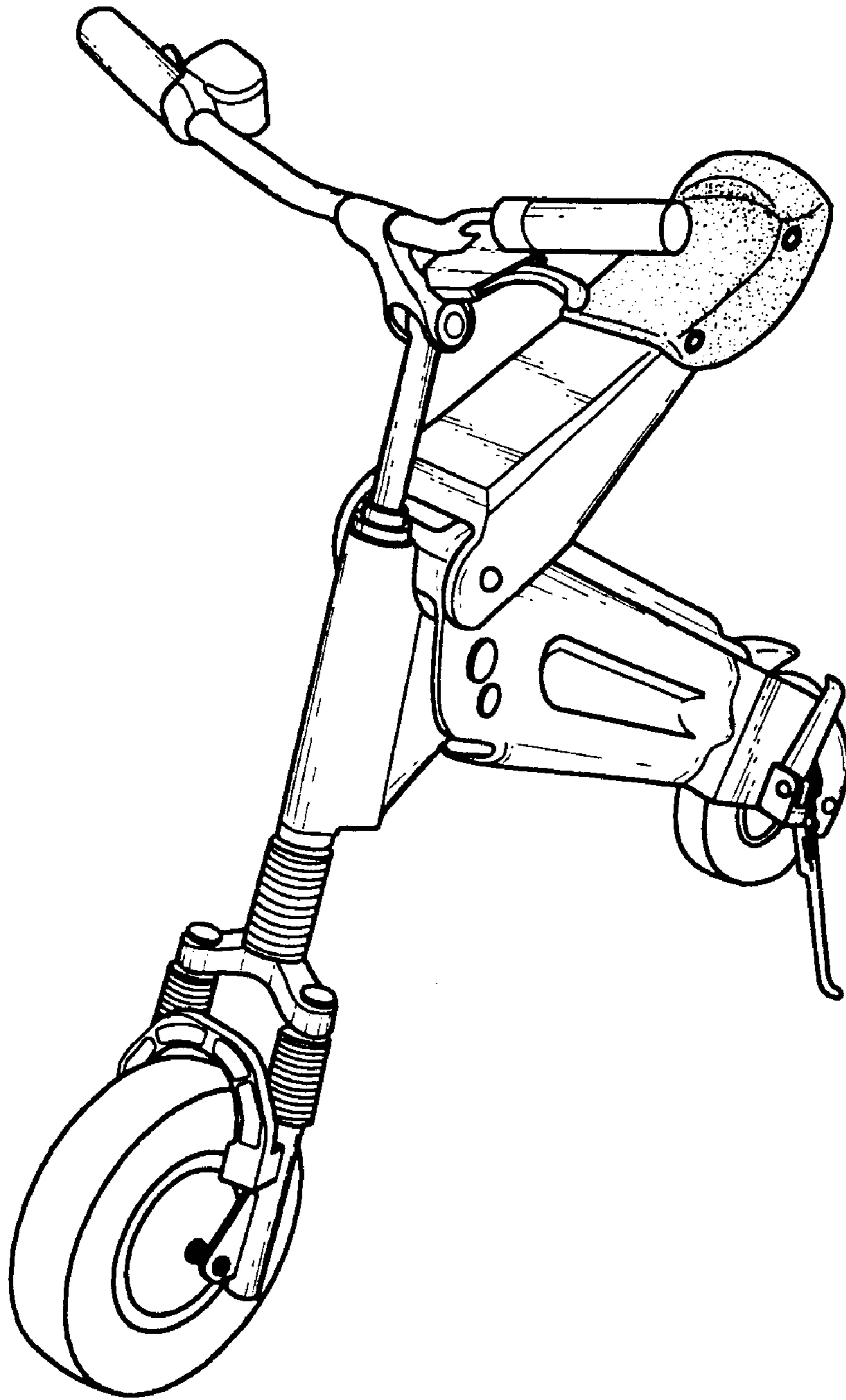


FIG. 1

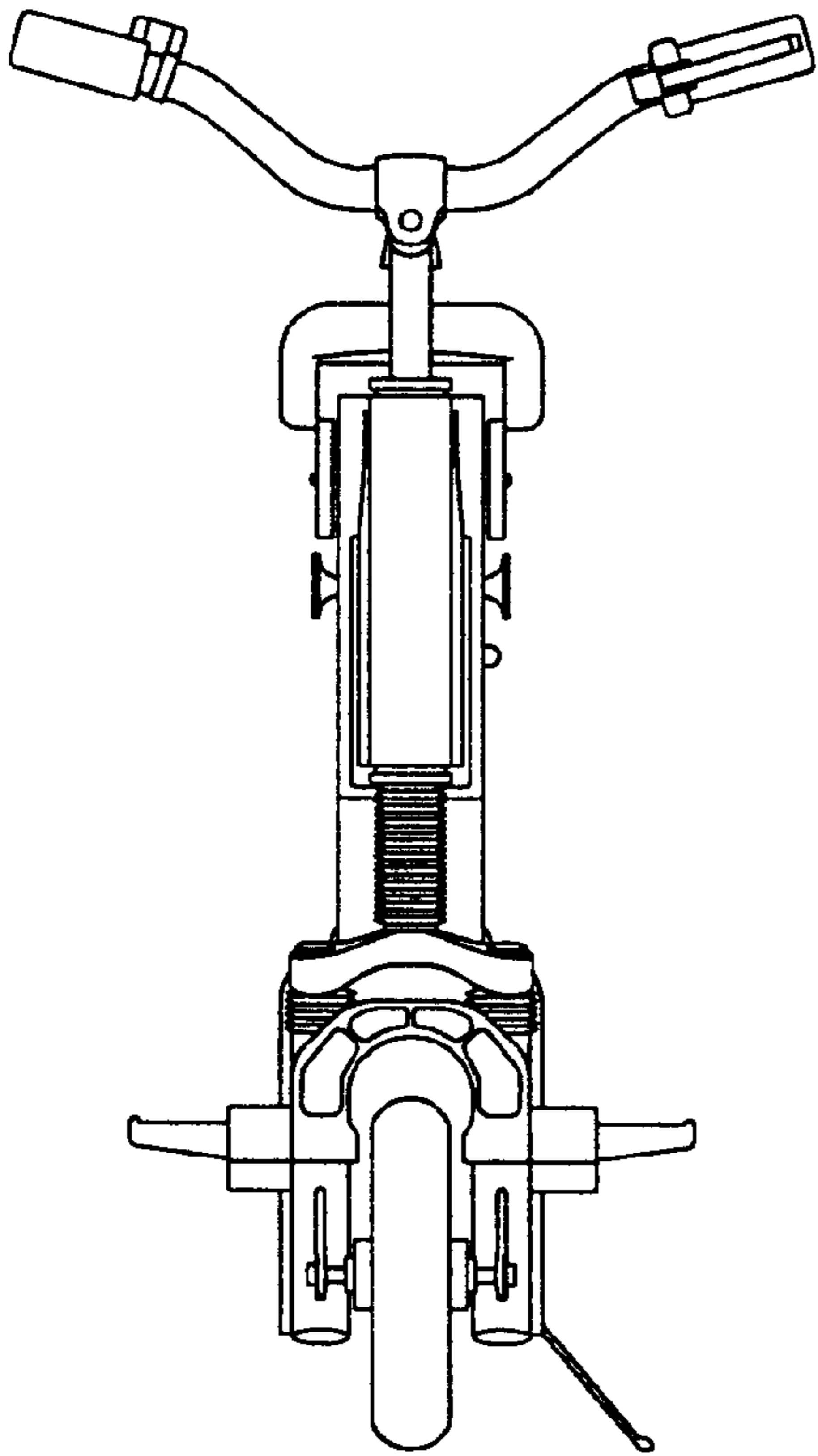


FIG. 2

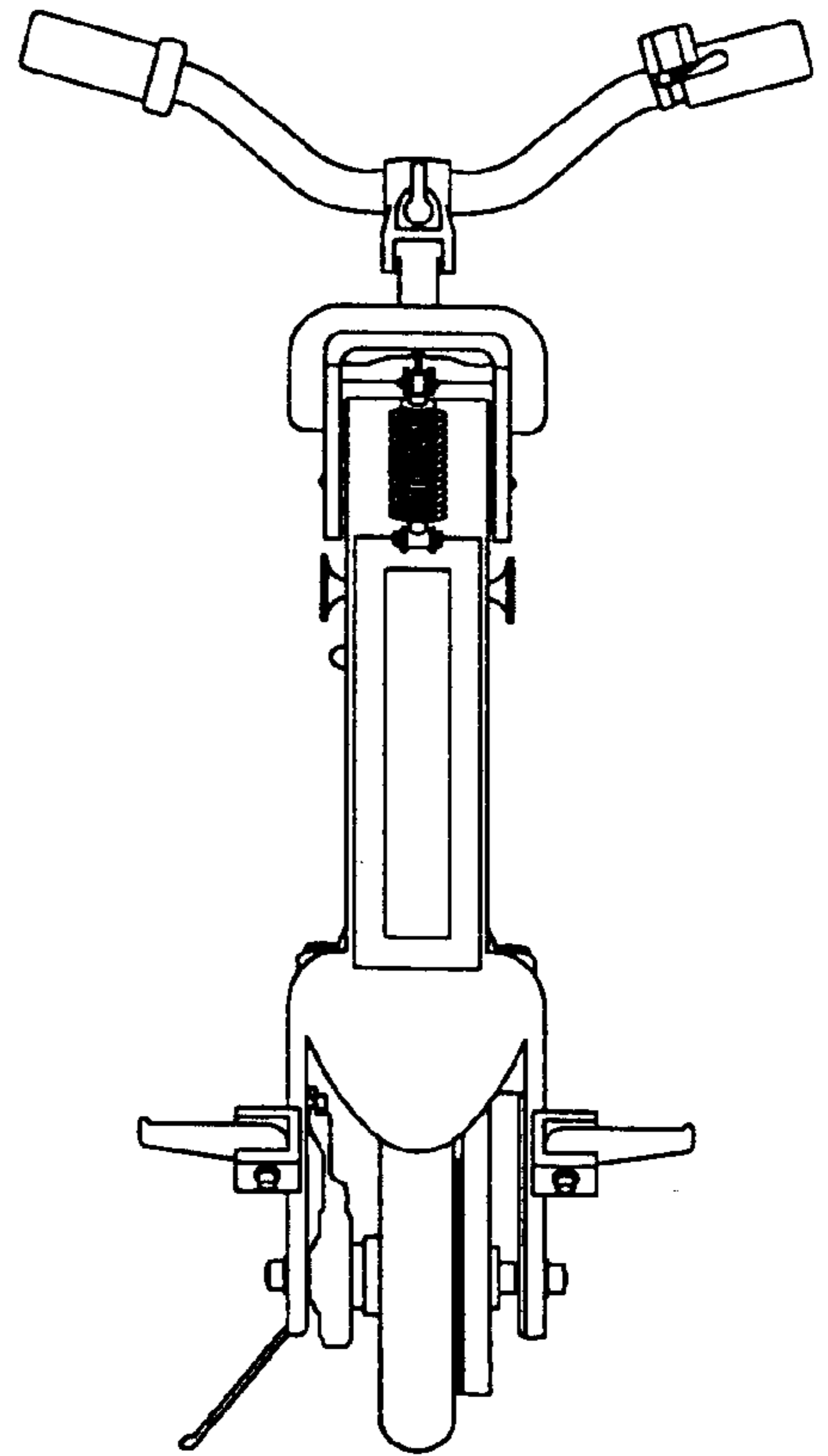


FIG. 3

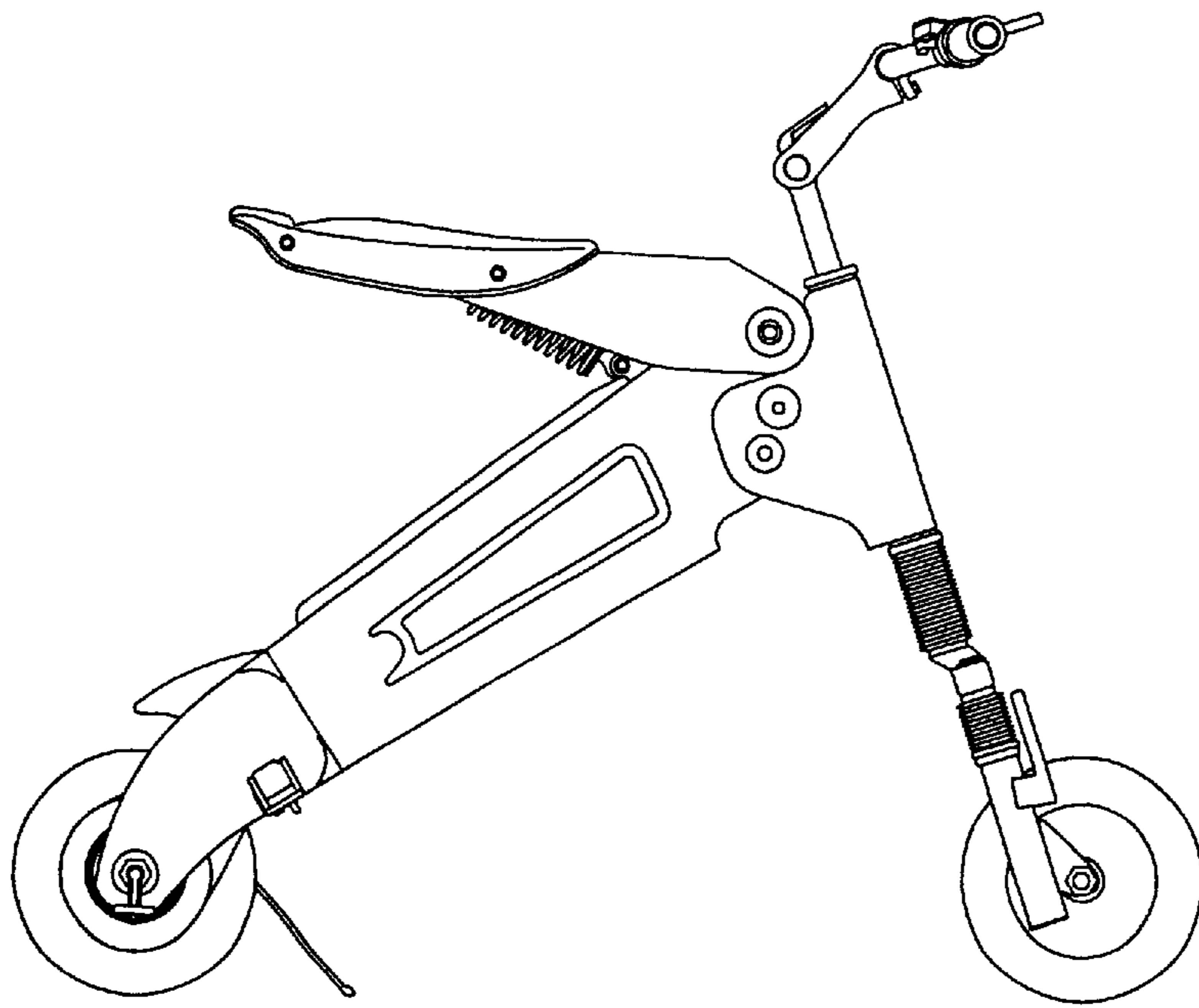


FIG. 4

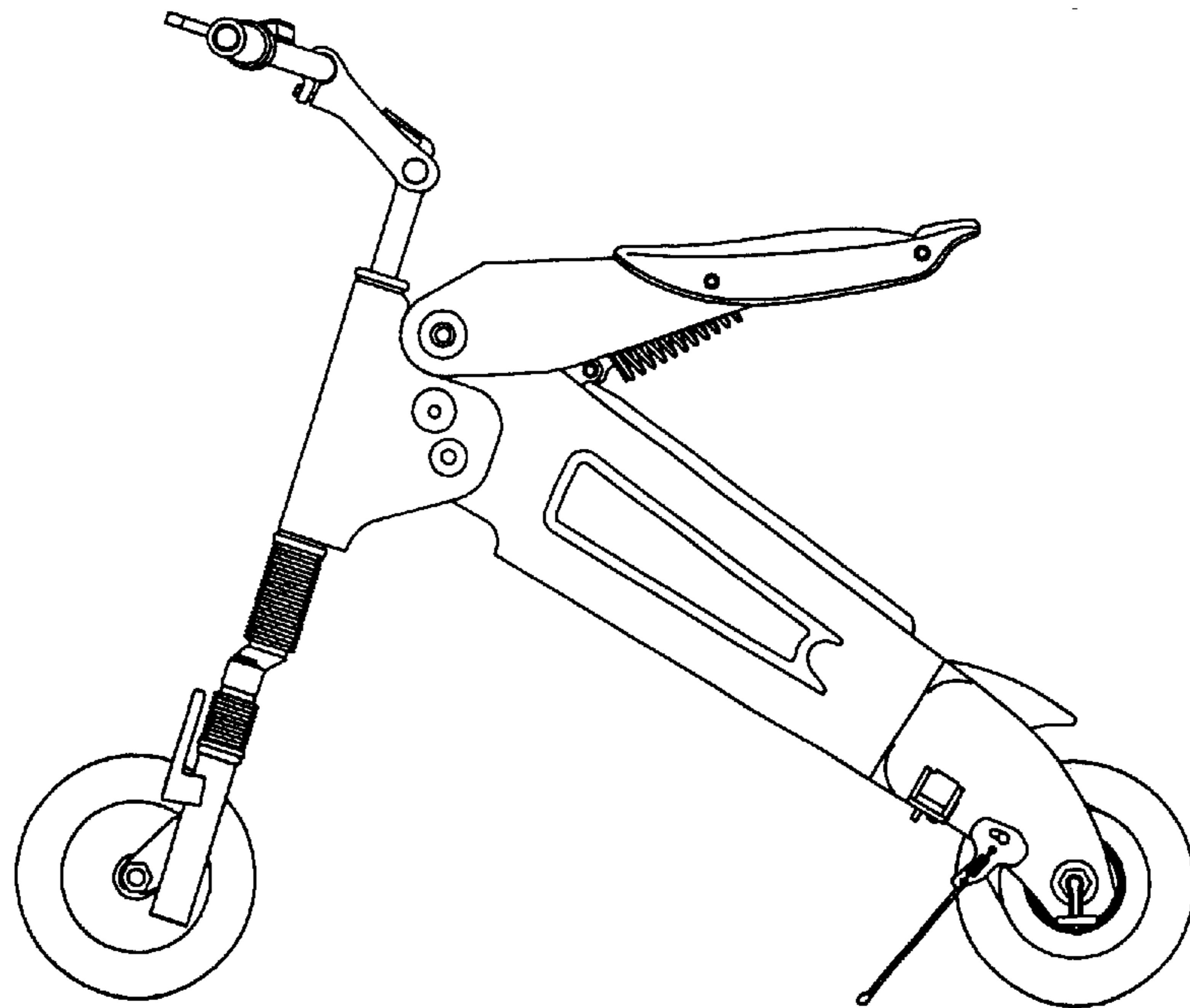


FIG. 5

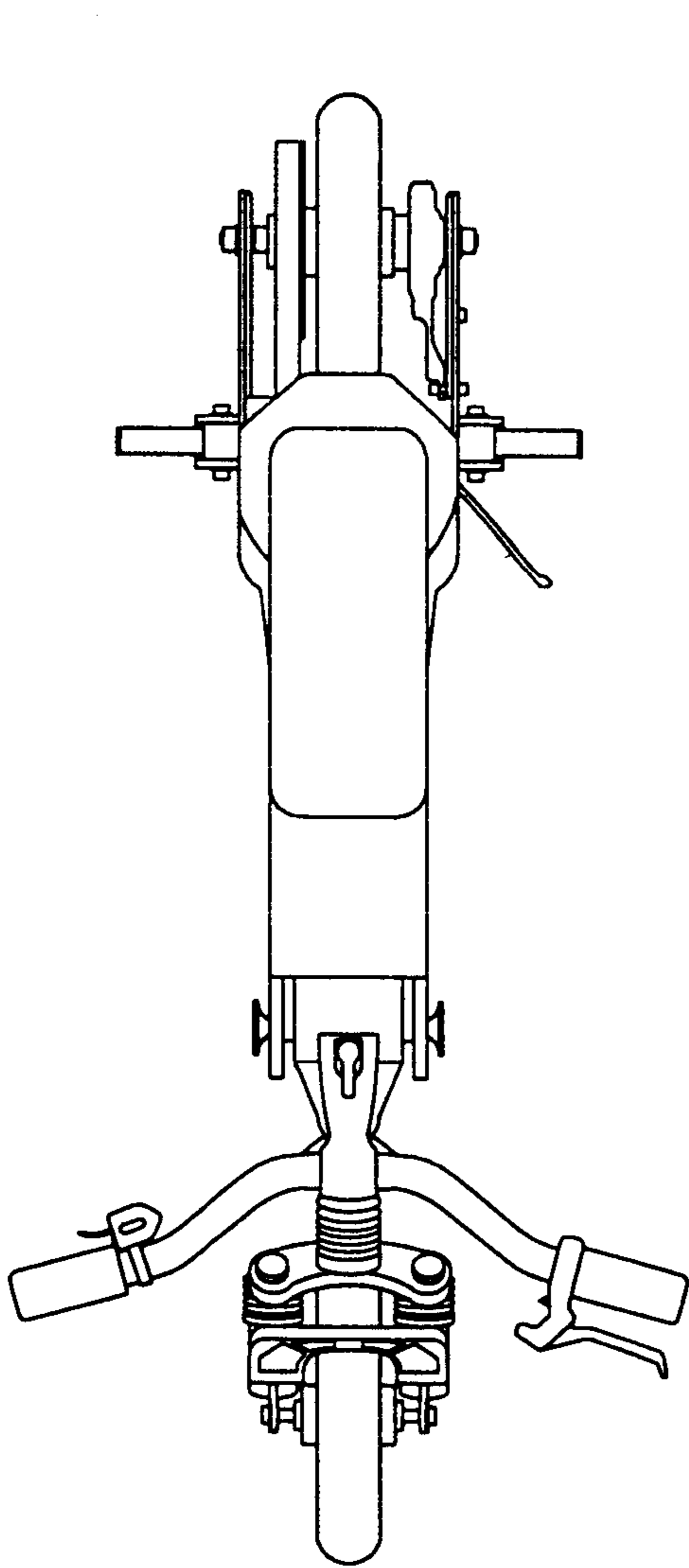


FIG. 6

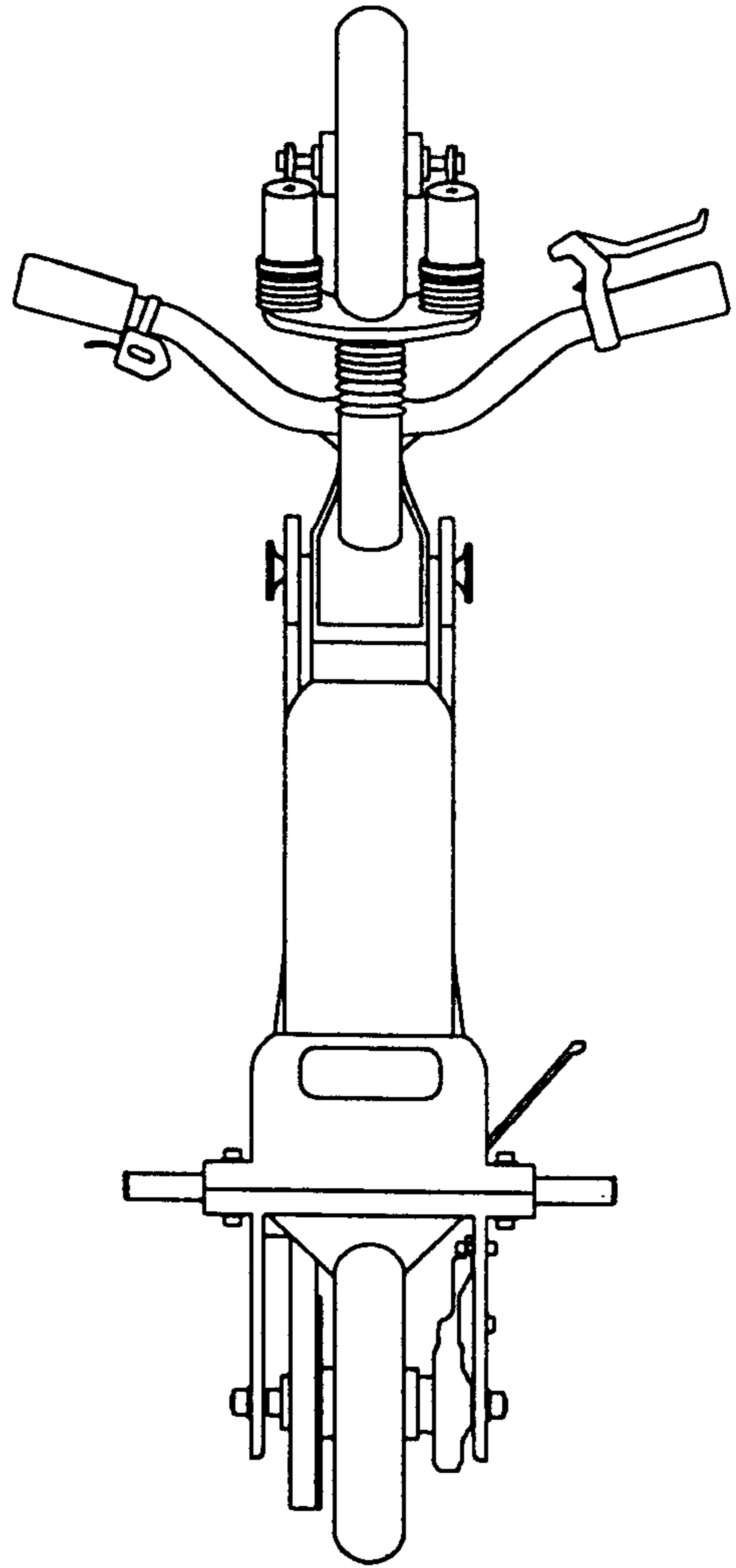


FIG. 7

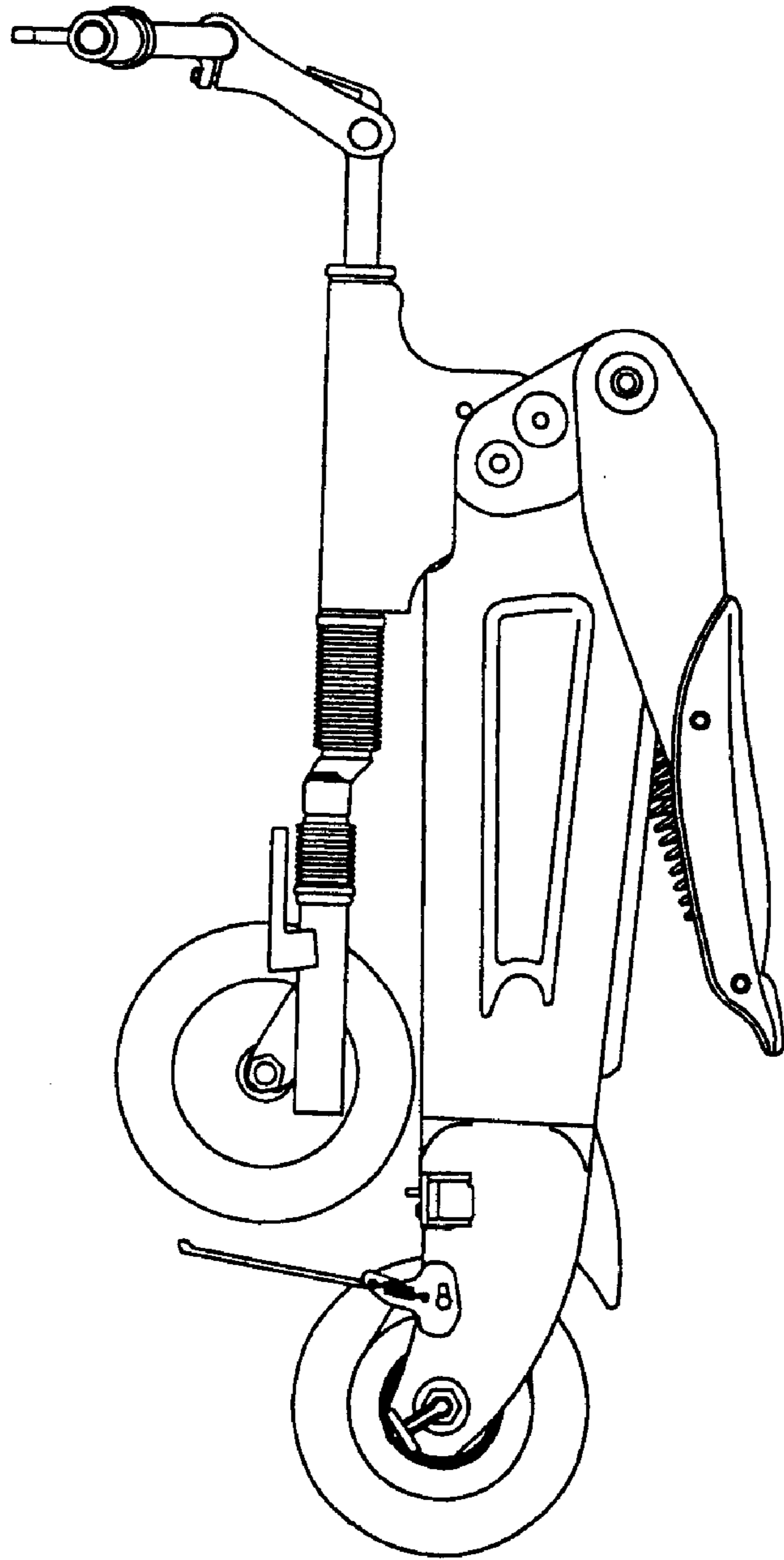


FIG. 8