



US00D466834S

(12) **United States Design Patent**
Oldendorph

(10) **Patent No.:** **US D466,834 S**

(45) **Date of Patent:** **** Dec. 10, 2002**

(54) **SLED**

(76) **Inventor:** **Charles L. Oldendorph**, 144 Heather Way, Cloudcroft, NM (US) 88317

(**) **Term:** **14 Years**

(21) **Appl. No.:** **29/162,905**

(22) **Filed:** **Jun. 25, 2002**

(51) **LOC (7) Cl.** **10-14**

(52) **U.S. Cl.** **D12/10; D21/767**

(58) **Field of Search** **D12/6, 9-10; D21/767; 280/28.14**

(56) **References Cited**

U.S. PATENT DOCUMENTS

1,655,713 A	1/1928	Scoville	
D93,132 S	8/1934	Richards	
2,447,700 A	8/1948	Hassman	
D157,137 S	* 2/1950	Foster D12/10
D178,325 S	* 7/1956	Nelson D12/10
D183,837 S	* 11/1958	Hammond D21/767
3,003,778 A	10/1961	Taggart	
3,297,334 A	1/1967	Jenks	
3,744,811 A	* 7/1973	Johnston 280/28.14

3,778,077 A	12/1973	Johnson	
D232,164 S	* 7/1974	Bemis et al. D12/10
3,830,513 A	8/1974	Hunt	
4,199,162 A	4/1980	Joy	
D291,427 S	* 8/1987	Schaller et al. D12/10
4,722,539 A	* 2/1988	Molinaro 280/28.14
D303,416 S	* 9/1989	Strauss D21/767
D374,641 S	* 10/1996	Gaul D12/9

* cited by examiner

Primary Examiner—Nelson C. Holtje

(74) *Attorney, Agent, or Firm*—Stephen R. Greiner

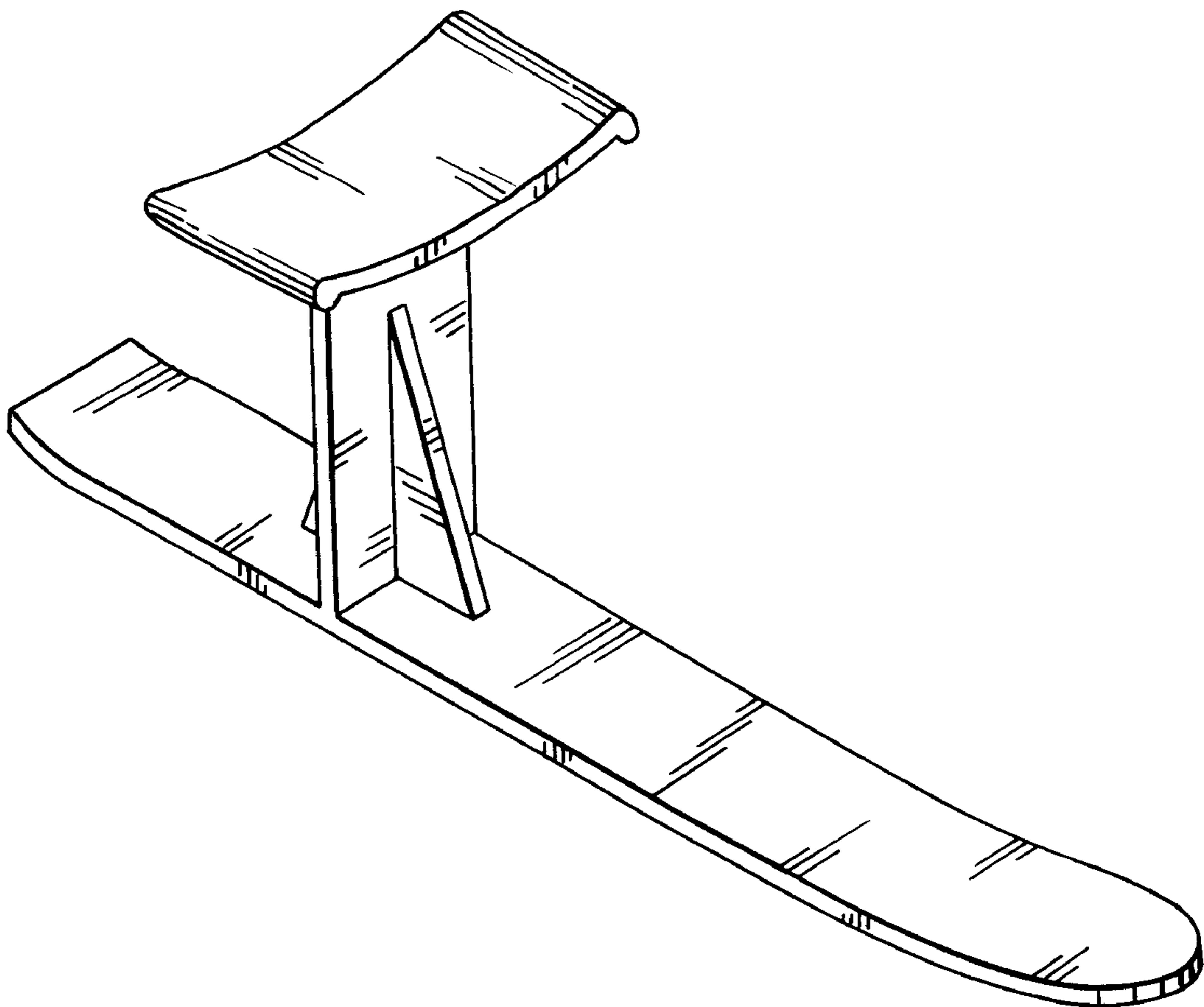
(57) **CLAIM**

The ornamental design for a sled, as shown and described.

DESCRIPTION

FIG. 1 is a perspective view of a sled showing my new design;
 FIG. 2 is a front elevational view thereof;
 FIG. 3 is a rear elevational view thereof;
 FIG. 4 is a right side elevational view with the left side being a mirror image thereof;
 FIG. 5 is a top view thereof; and,
 FIG. 6 is a bottom view thereof.

1 Claim, 1 Drawing Sheet



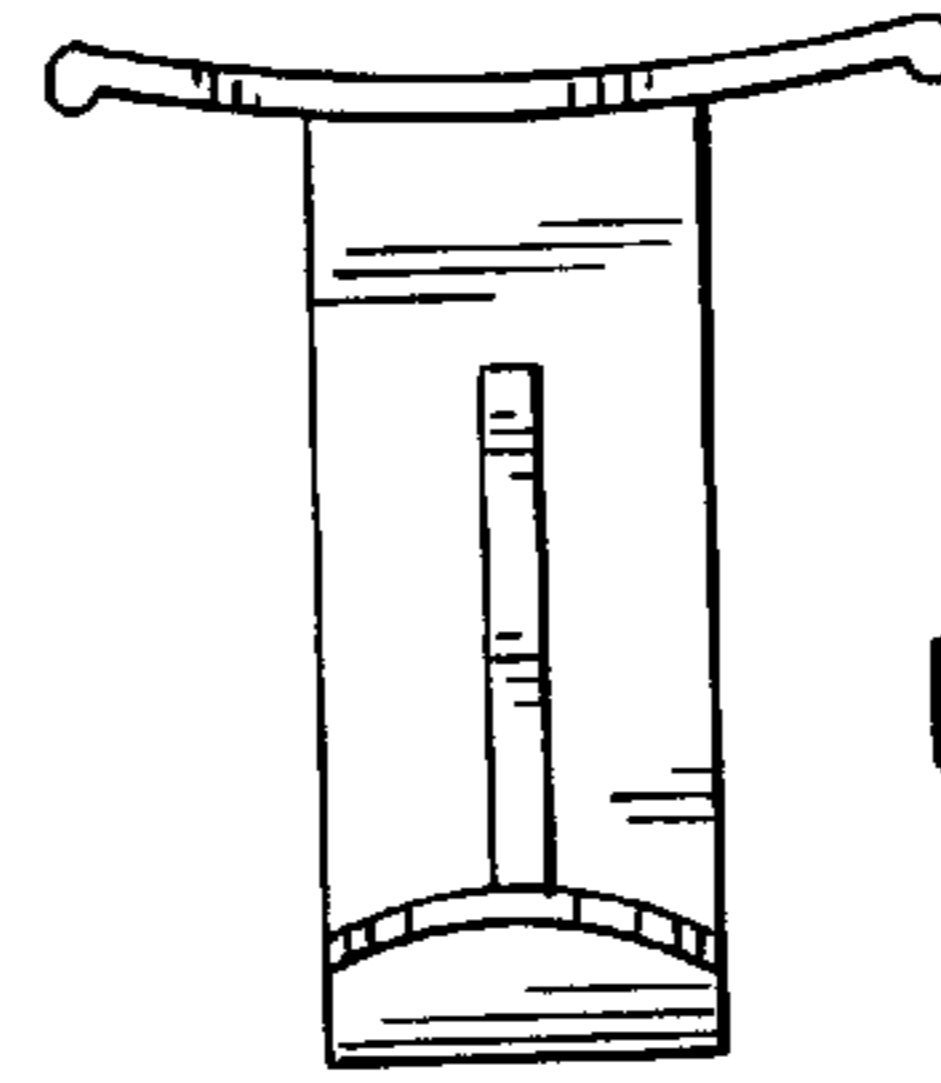
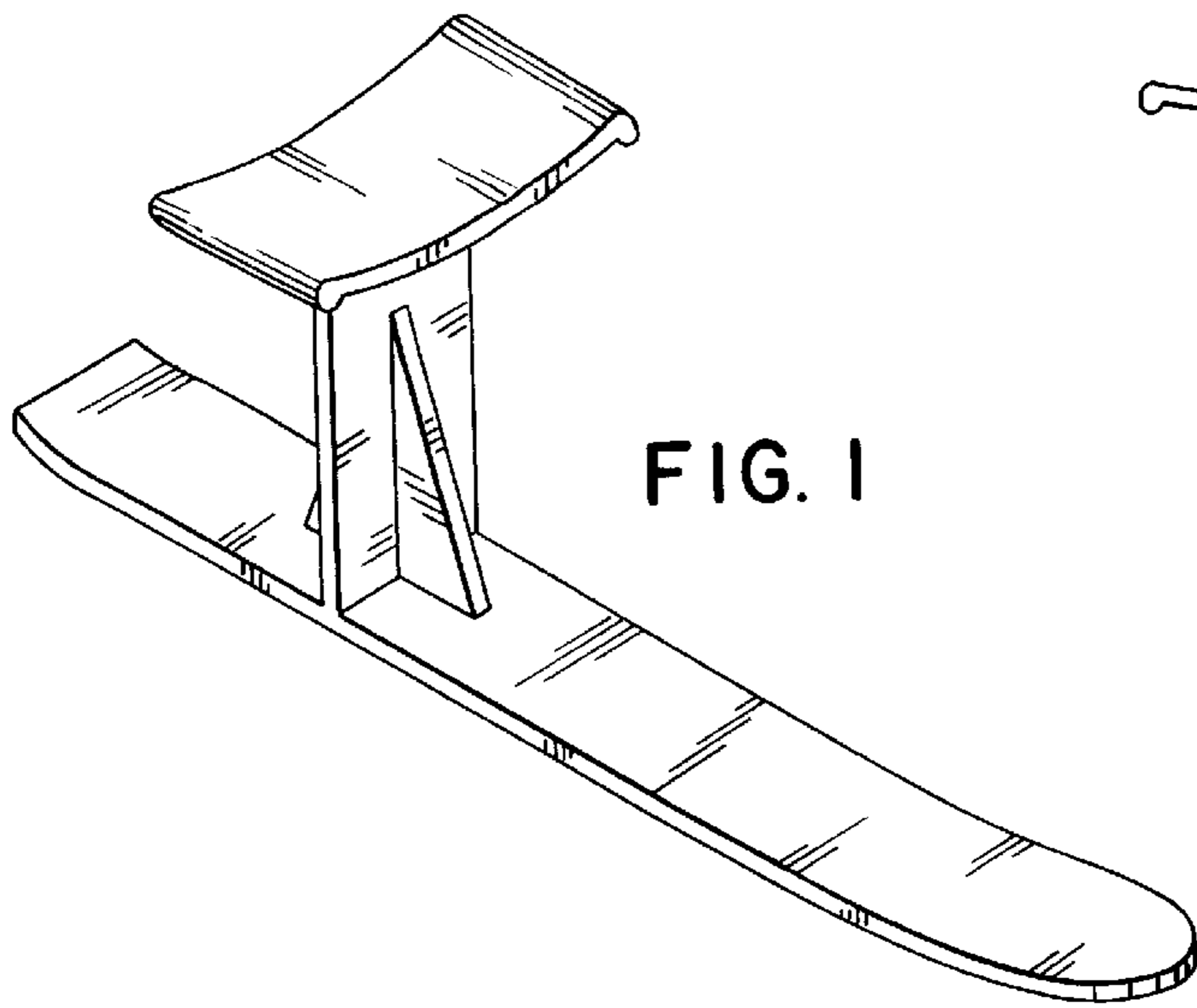


FIG. 2

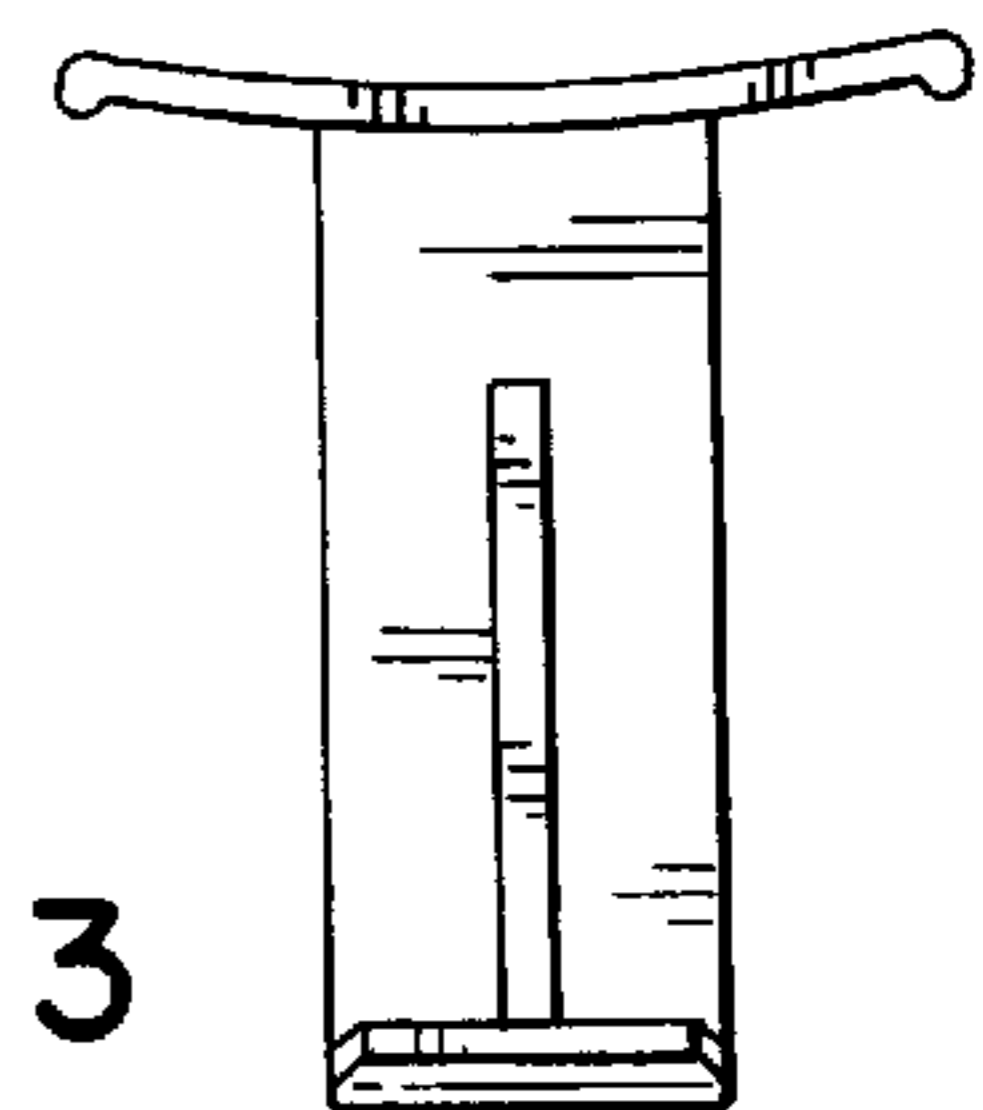


FIG. 3

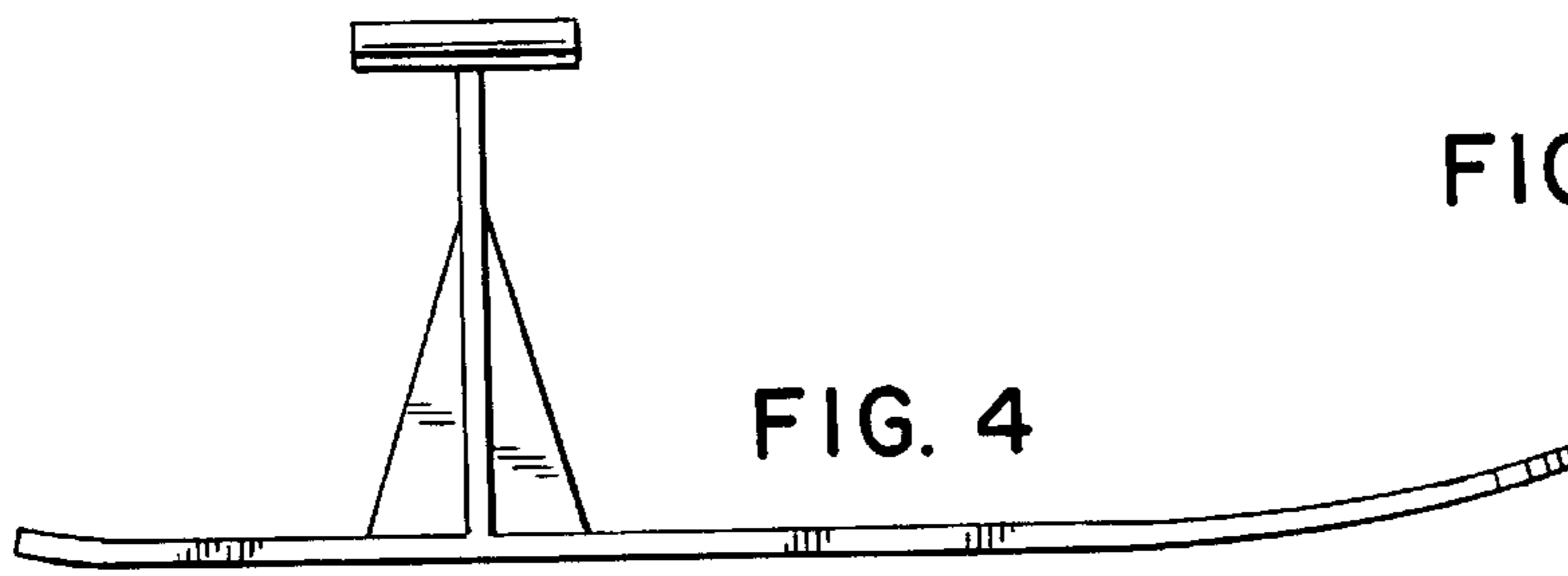


FIG. 4

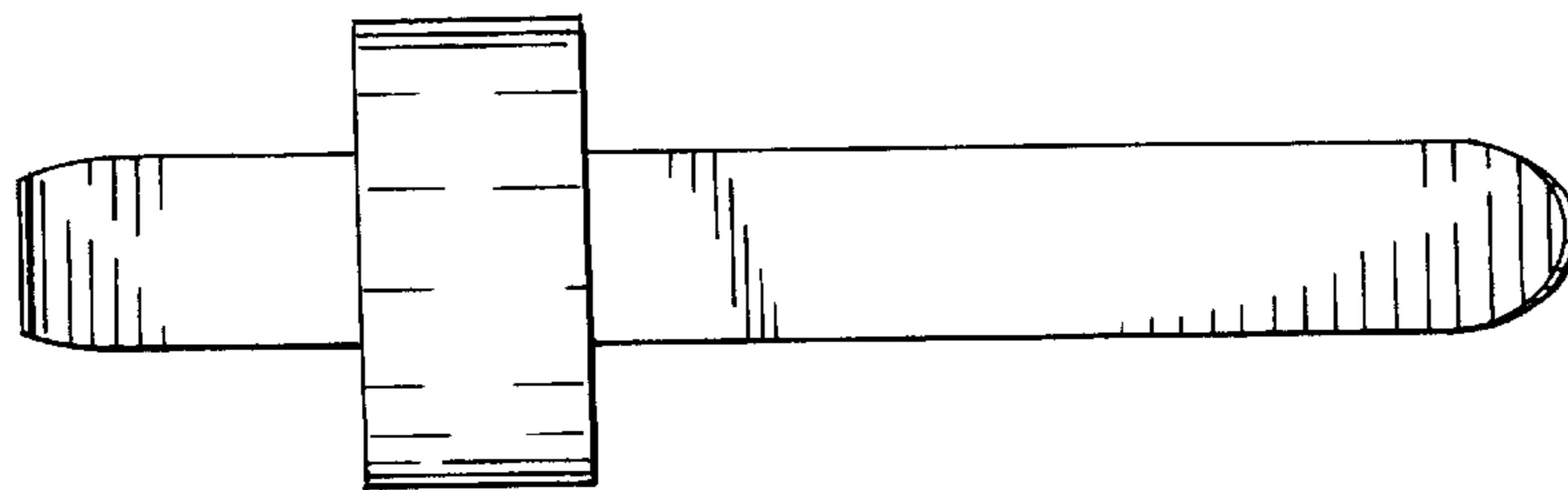


FIG. 5

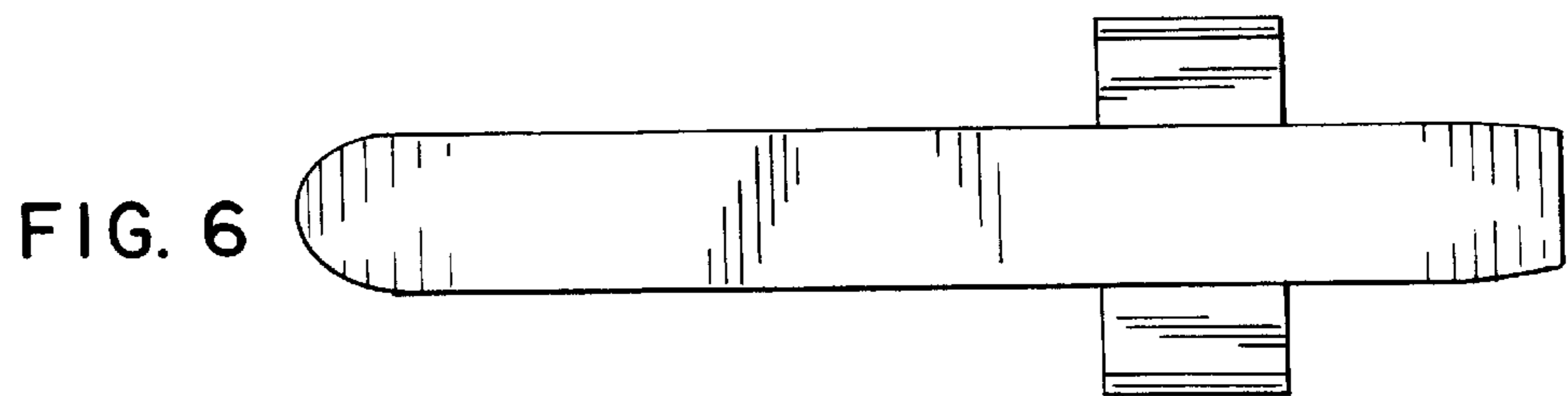


FIG. 6