



US00D466833S

(12) **United States Design Patent**
Pan

(10) **Patent No.:** **US D466,833 S**

(45) **Date of Patent:** **** Dec. 10, 2002**

(54) **SNOW SCOOTER**

(76) **Inventor:** **Howard Ze Hao Pan**, Unit D, 9th
Floor, Phase 1 & 2, Hong Kong
Spinners Industrial Building, 601-603
Tai Nan West Street, Cheung Sha Wan,
Kowloon (HK)

(**) **Term:** **14 Years**

(21) **Appl. No.:** **29/154,639**

(22) **Filed:** **Jan. 24, 2002**

(30) **Foreign Application Priority Data**

Jul. 24, 2001 (HK) 0111067

(51) **LOC (7) Cl.** **12-14**

(52) **U.S. Cl.** **D12/8**

(58) **Field of Search** D12/8-10; D21/760-767;
280/14, 28, 22, 18, 28.11, 21.11, 87.041-87.043,
16, 87.021, 87.01-87.05, 14.3

(56) **References Cited**

U.S. PATENT DOCUMENTS

1,945,170	A	*	1/1934	Wetzel	280/22
2,006,325	A	*	6/1935	Scholtes	280/22
D126,833	S	*	4/1941	Hylan	D12/8
2,316,272	A	*	4/1943	Meyer	280/22
2,894,760	A	*	7/1959	Kolstad	280/22
3,151,876	A	*	10/1964	Hahto	280/14.28
D206,597	S	*	1/1967	Berglund	D12/8

D210,544	S	*	3/1968	Fleisher	D12/8
D224,125	S	*	7/1972	Boganowski	D12/8
D246,920	S	*	1/1978	Koblick	D12/8
D340,009	S	*	10/1993	Simpson	D12/8
5,351,975	A	*	10/1994	Petoud	280/14.3
5,516,126	A	*	5/1996	Myers	280/14.3
6,139,031	A	*	10/2000	Wingard	280/14.28
D451,162	S	*	11/2001	Spiers	D21/767

* cited by examiner

Primary Examiner—Stacia Cadmus

(74) *Attorney, Agent, or Firm*—David P Gordon; David S Jacobson; Thomas A Gallagher

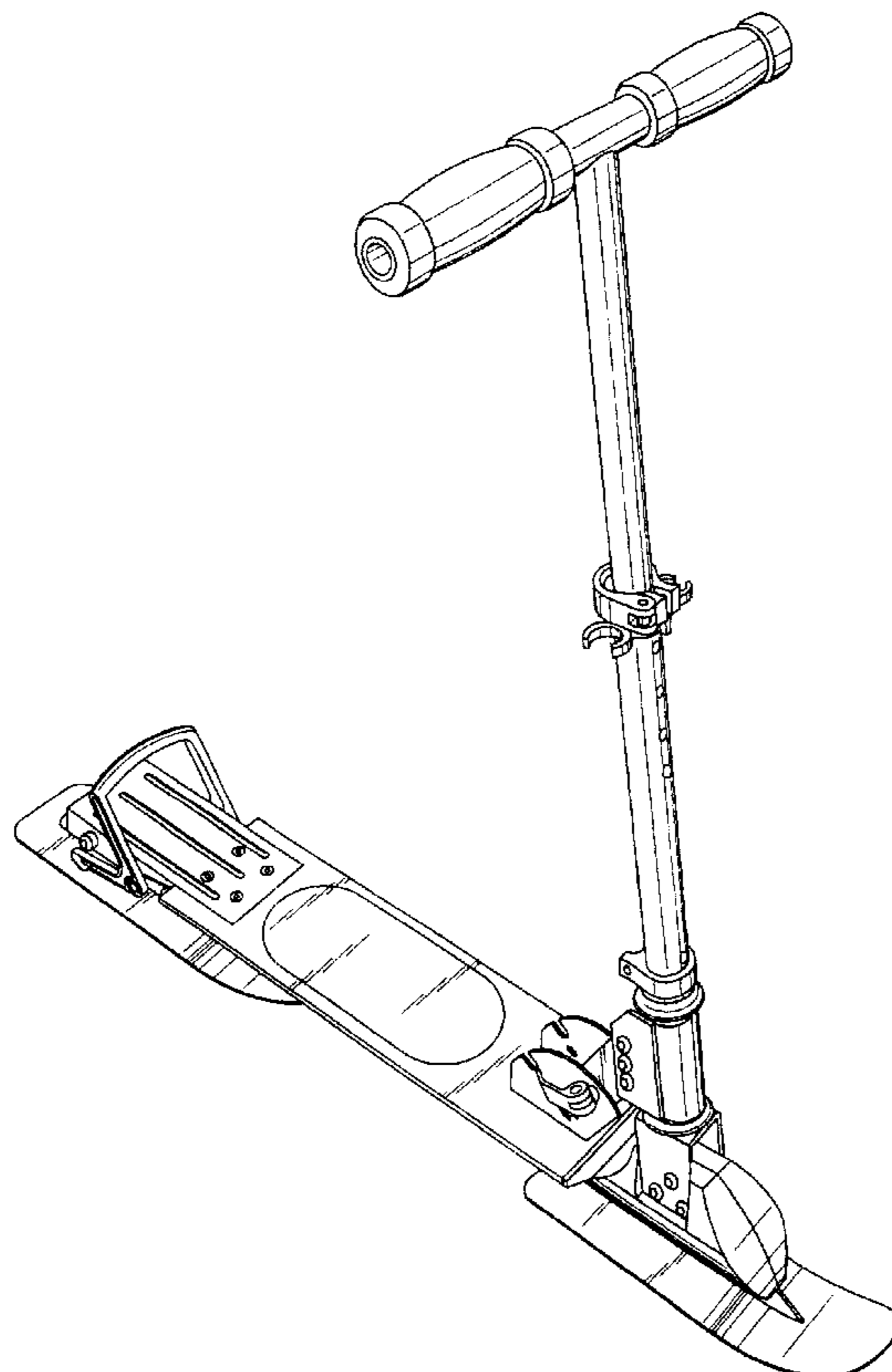
(57) **CLAIM**

The ornamental design for a snow scooter, as shown and described.

DESCRIPTION

FIG. 1 is a right side, front and top perspective view of a snow scooter showing my new design;
FIG. 2 is a right side elevational view thereof;
FIG. 3 is a left side elevational view thereof;
FIG. 4 is a front elevational view thereof;
FIG. 5 is a rear elevational view thereof;
FIG. 6 is a top plan view thereof;
FIG. 7 is a bottom plan view thereof; and,
FIG. 8 is a right side, front and top perspective view thereof in folded condition.

1 Claim, 6 Drawing Sheets



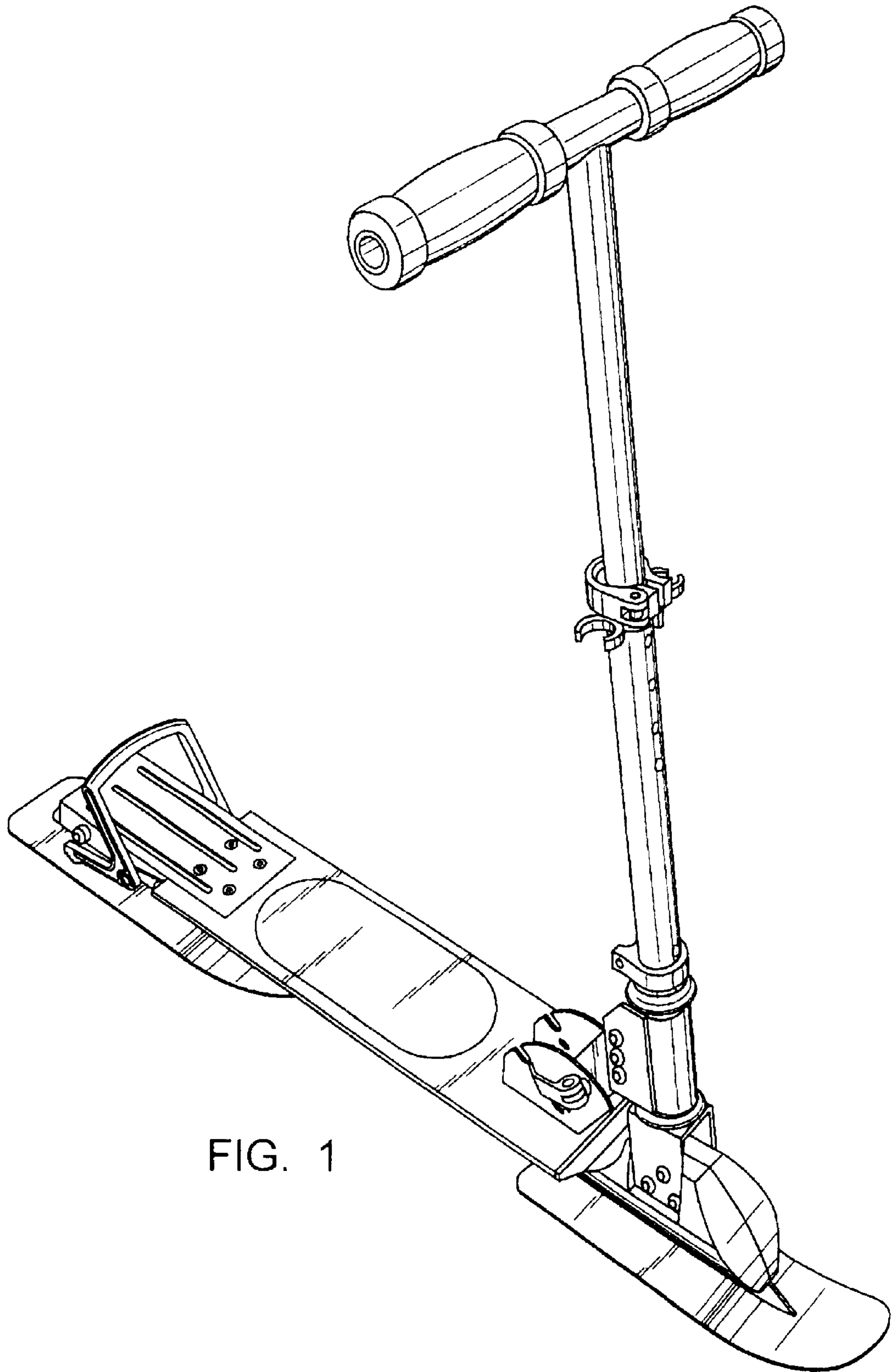


FIG. 1

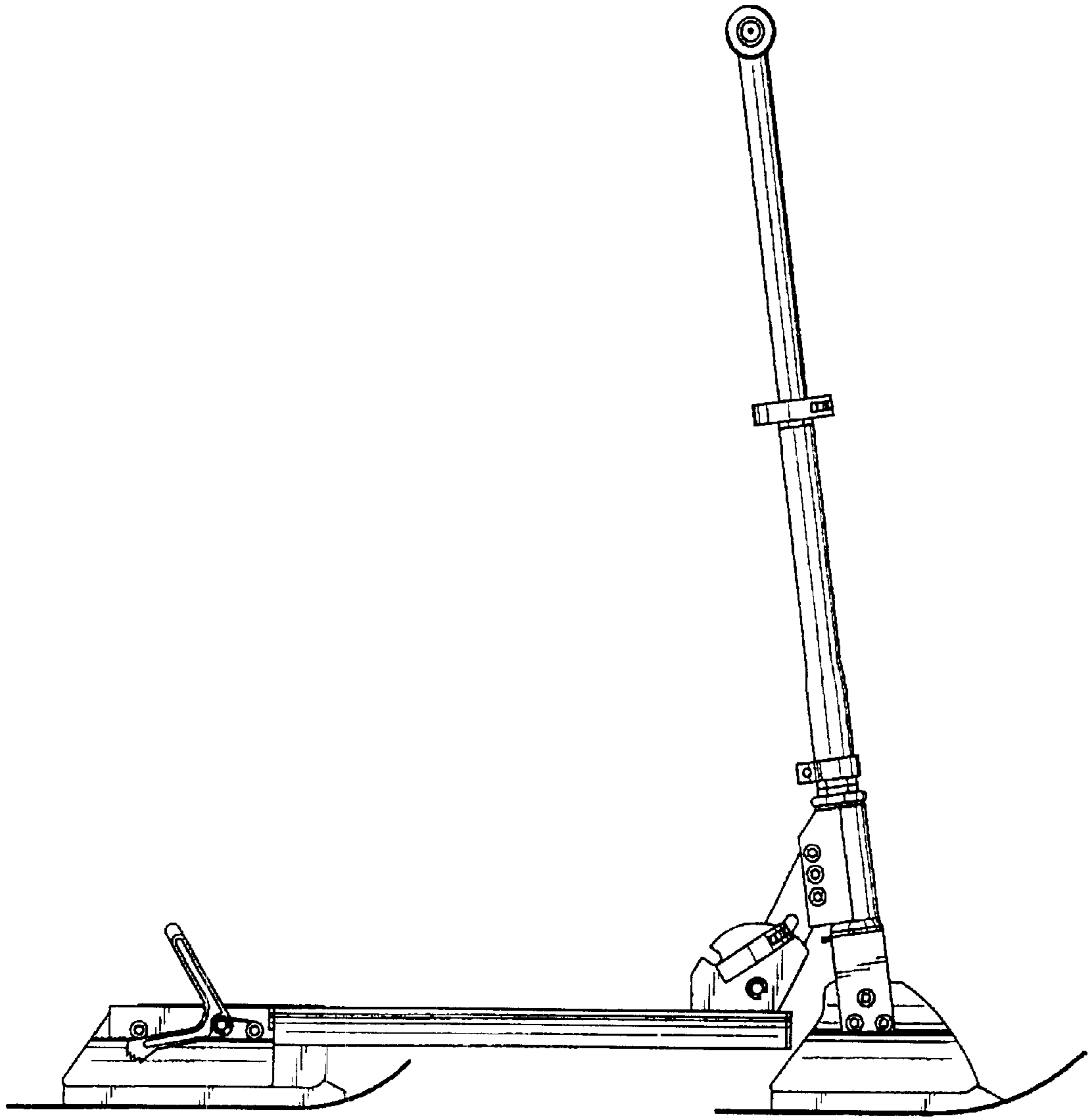


FIG. 2

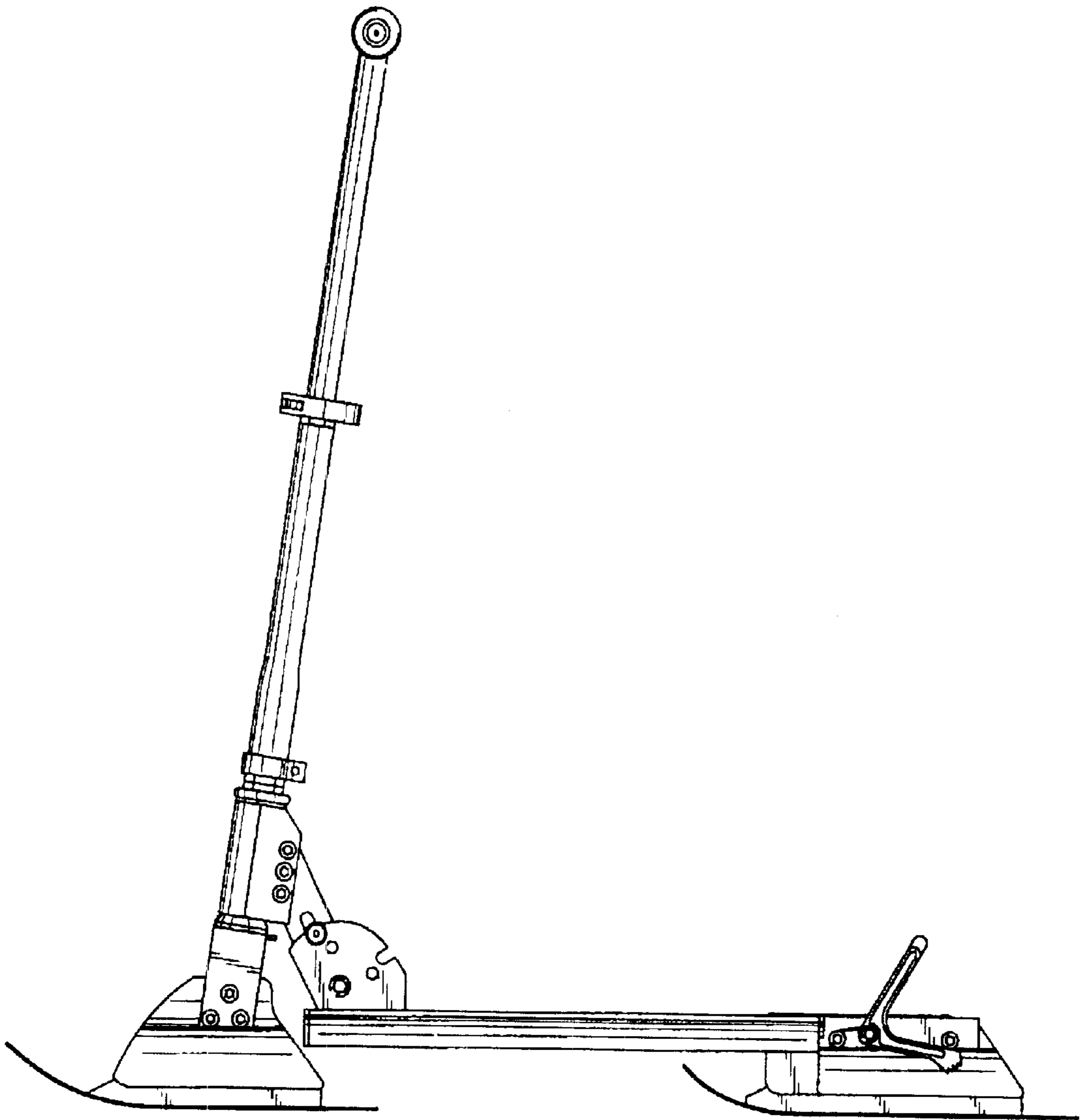


FIG. 3

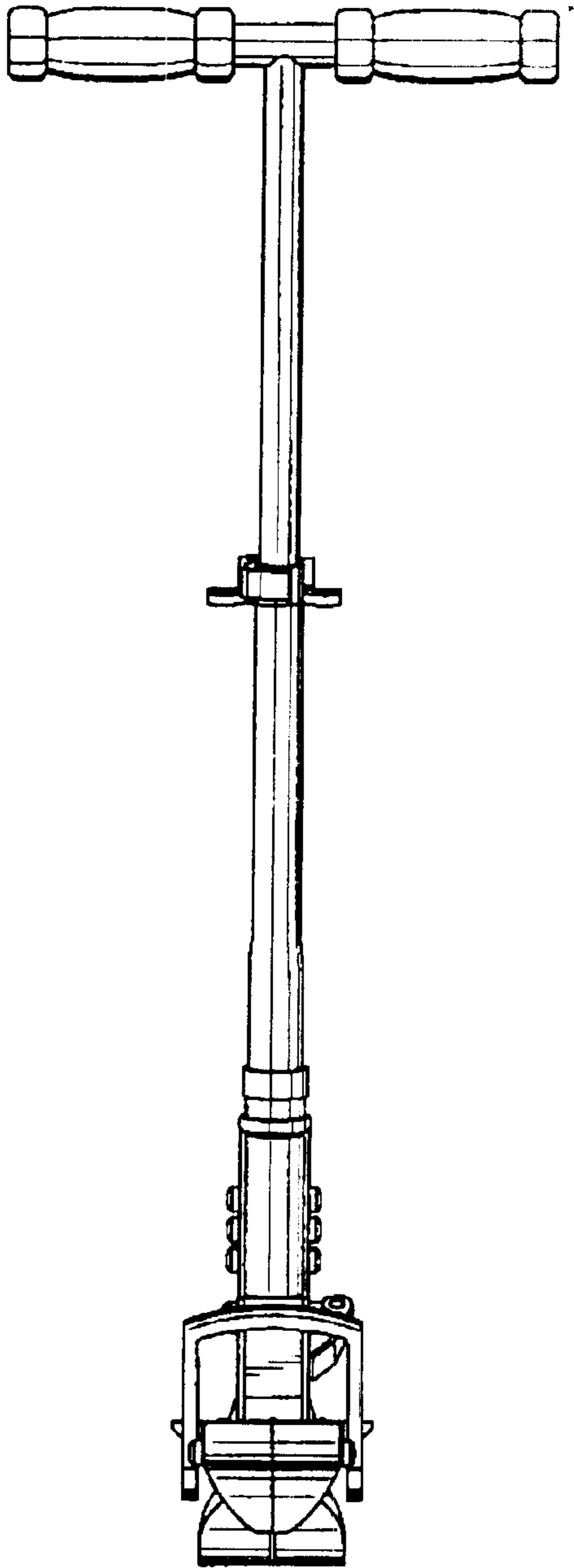


FIG. 5

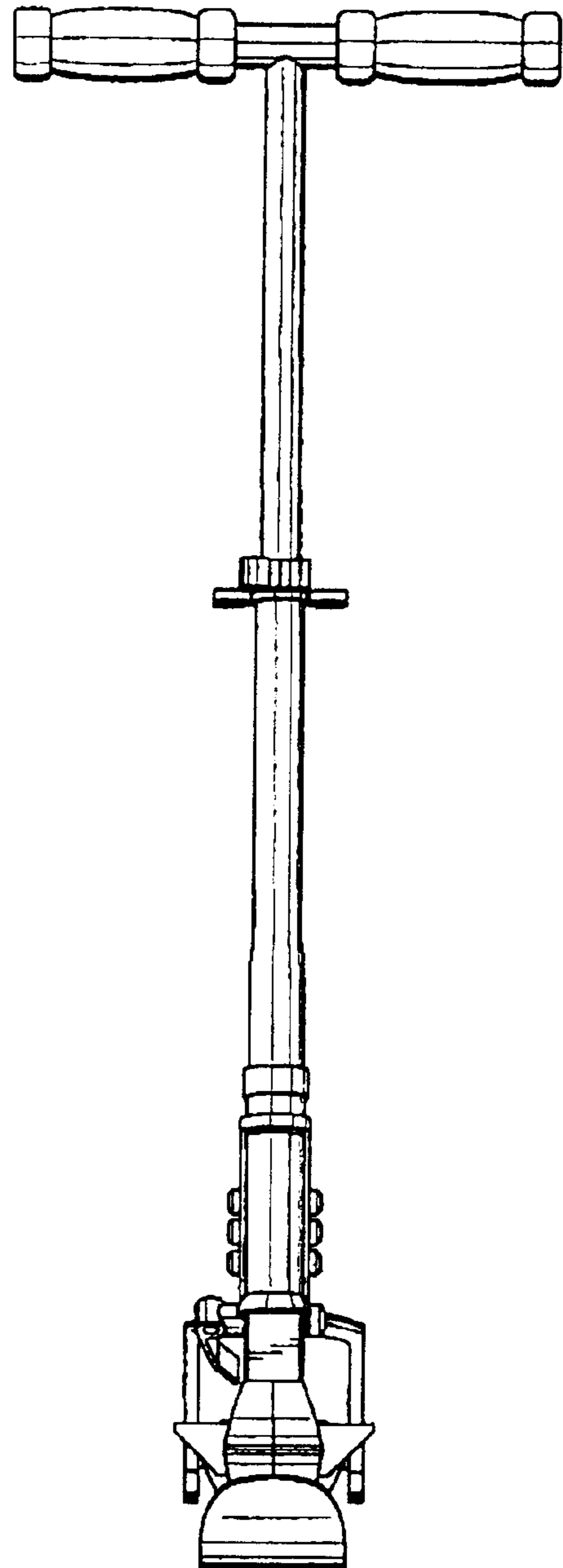


FIG. 4

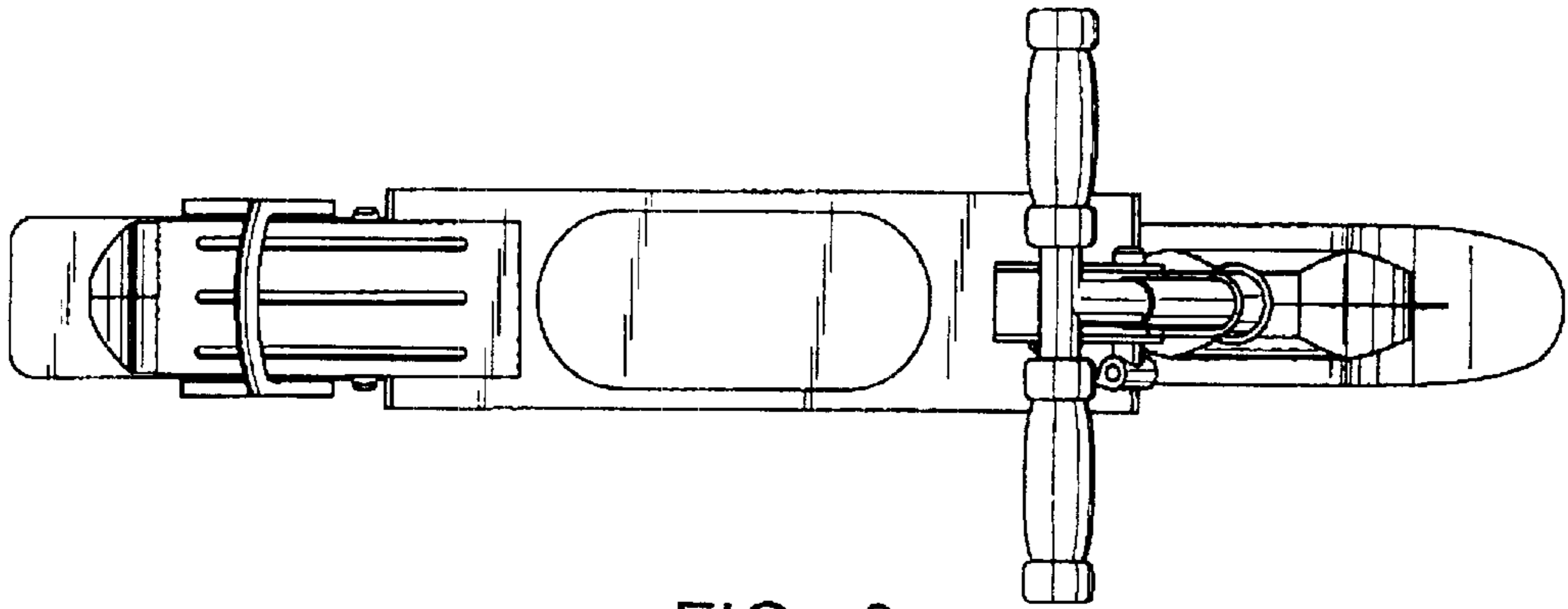


FIG. 6

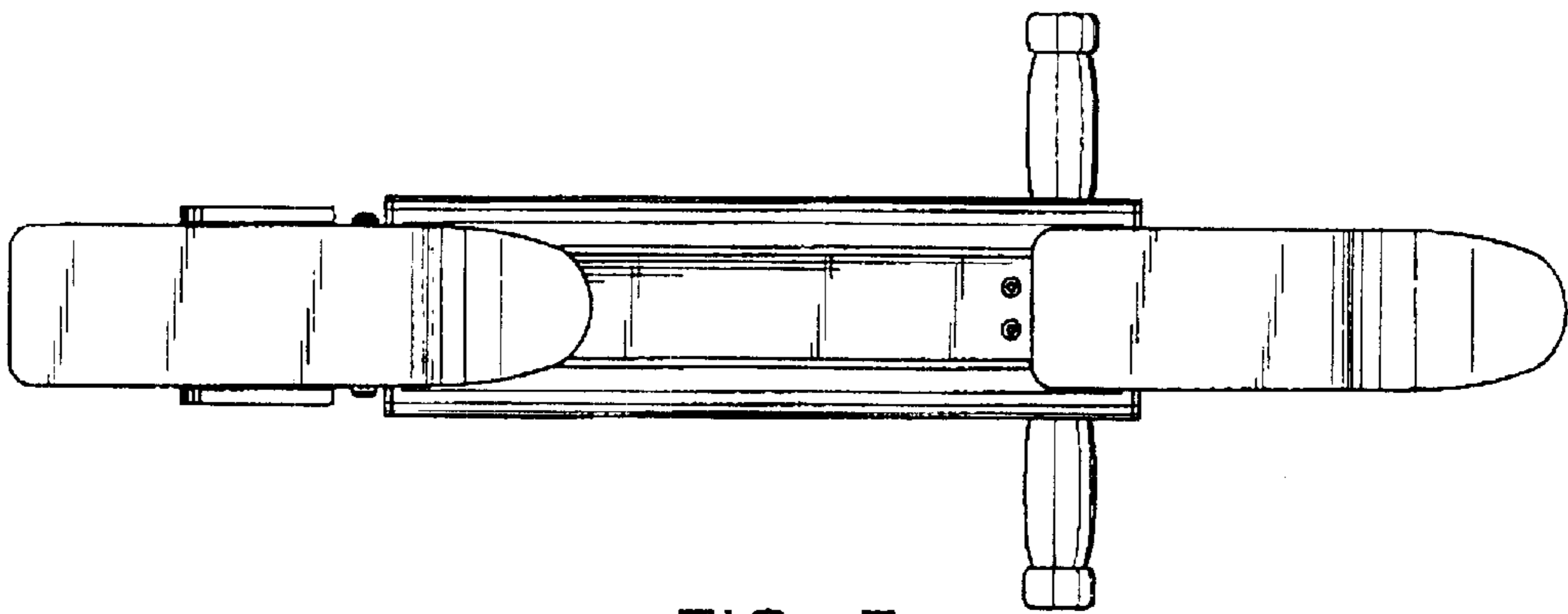


FIG. 7

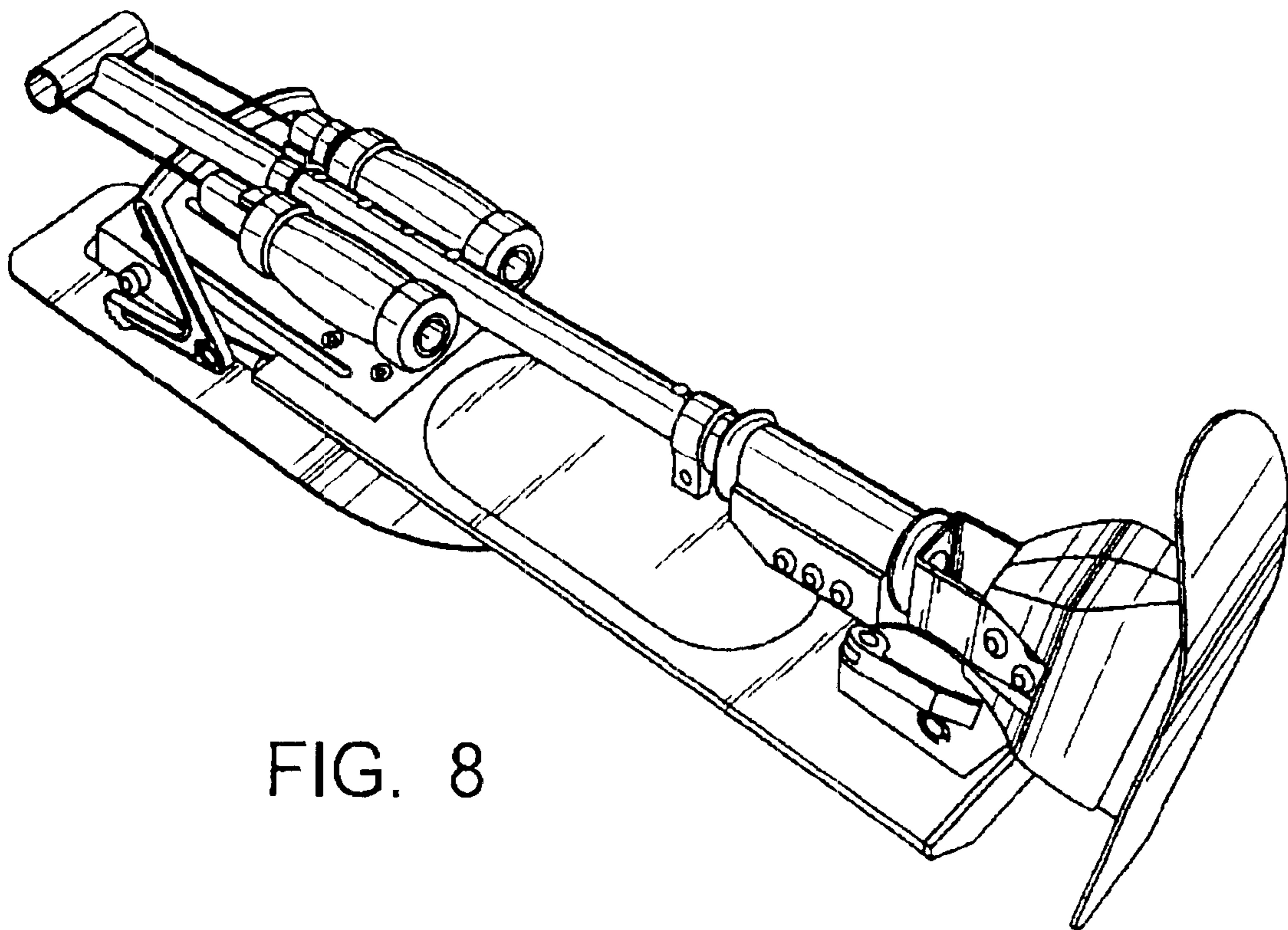


FIG. 8