



US00D466831S

(12) **United States Design Patent**
Bruns et al.

(10) **Patent No.: US D466,831 S**

(45) **Date of Patent: ** Dec. 10, 2002**

- (54) **SKI**
- (76) Inventors: **Mark W. Bruns**, 120 Eastgate Dr. SE.,
Hutchinson, MN (US) 55350; **Steven A. Bruns**, 120 Eastgate Dr. SE.,
Hutchinson, MN (US) 55350
- (**) Term: **14 Years**
- (21) Appl. No.: **29/137,993**
- (22) Filed: **Mar. 5, 2001**
- (51) **LOC (7) Cl. 12-14**
- (52) **U.S. Cl. D12/7**
- (58) **Field of Search D12/7-11, 6; 280/25-28,**
280/16, 22, 809; 180/181-184, 190; D21/760,
766-767

- 5,165,709 A 11/1992 Jacques
- 5,222,749 A 6/1993 Bergstrom
- 5,344,168 A 9/1994 Olson et al.
- 5,360,220 A 11/1994 Simmons
- D366,014 S * 1/1996 Lindquist et al. D12/7
- D367,018 S * 2/1996 Bernat D12/7
- 5,599,030 A 2/1997 Campbell et al.
- 5,700,020 A 12/1997 Noble
- 5,836,594 A 11/1998 Simmons
- D403,988 S * 1/1999 Chapdelaine D12/7
- D408,759 S * 4/1999 Chapdelaine D12/7
- 6,012,728 A 1/2000 Noble
- 6,086,101 A * 7/2000 Cormican 280/809
- 6,102,413 A 8/2000 Khennache et al.
- 6,276,699 B1 * 8/2001 Simmons et al. 280/28
- 6,331,008 B2 * 12/2001 Cormican 280/22
- 2001/0013687 A1 8/2001 Cormican

* cited by examiner

(56) **References Cited**

U.S. PATENT DOCUMENTS

- D183,230 S 7/1958 Swenson
- 3,123,373 A 3/1964 Antcliff
- 3,643,978 A 2/1972 Westberg
- 3,643,979 A 2/1972 Richards
- 3,732,939 A * 5/1973 Samson 280/28 X
- 3,765,695 A 10/1973 McGregor
- 3,777,831 A 12/1973 Hale
- 3,854,541 A 12/1974 Hollnagel
- 3,856,318 A 12/1974 Hollenbeck
- 3,867,991 A 2/1975 Brandli
- 3,930,547 A 1/1976 West
- 3,967,692 A 7/1976 Hoffman
- 3,985,192 A 10/1976 Samuelson et al.
- D255,893 S * 7/1980 Fritz D12/7
- D256,225 S * 8/1980 Fritz D12/7
- 4,252,354 A 2/1981 Lob
- 4,424,979 A 1/1984 Takagi
- 4,491,333 A 1/1985 Warnke
- 4,595,211 A 6/1986 Fitzpatrick
- 5,040,818 A 8/1991 Metheny
- 5,145,195 A 9/1992 Campbell et al.
- 5,145,201 A 9/1992 Metheny

Primary Examiner—Stacia Cadmus

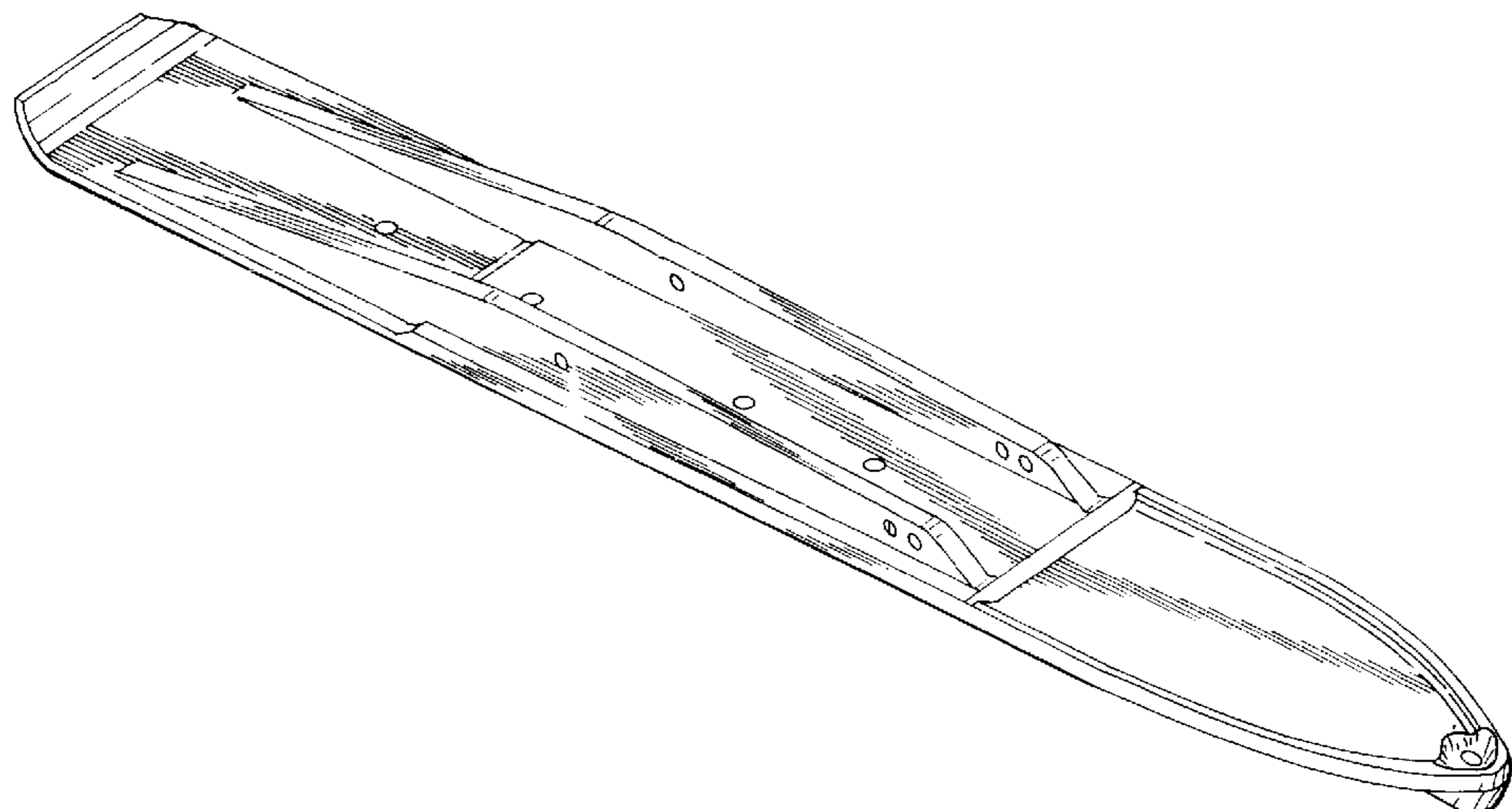
(57) **CLAIM**

The ornamental design for a ski, as shown and described.

DESCRIPTION

FIG. 1 is a perspective view of a ski of our new design;
 FIG. 2 is a top plan view thereof;
 FIG. 3 is a side elevational view thereof, the opposite side
 being a mirror image thereof;
 FIG. 4 is a bottom plan view thereof;
 FIG. 5 is a front elevational view thereof;
 FIG. 6 is a rear elevational view thereof;
 FIG. 7 is a perspective view of a second embodiment of a
 ski, showing our new design;
 FIG. 8 is a top plan view of FIG. 7;
 FIG. 9 is a side elevational view of FIG. 7, the opposite side
 being a mirror image thereof;
 FIG. 10 is a bottom plan view of FIG. 7;
 FIG. 11 is a front elevational view of FIG. 7; and,
 FIG. 12 is a rear elevational view of FIG. 7.

1 Claim, 6 Drawing Sheets



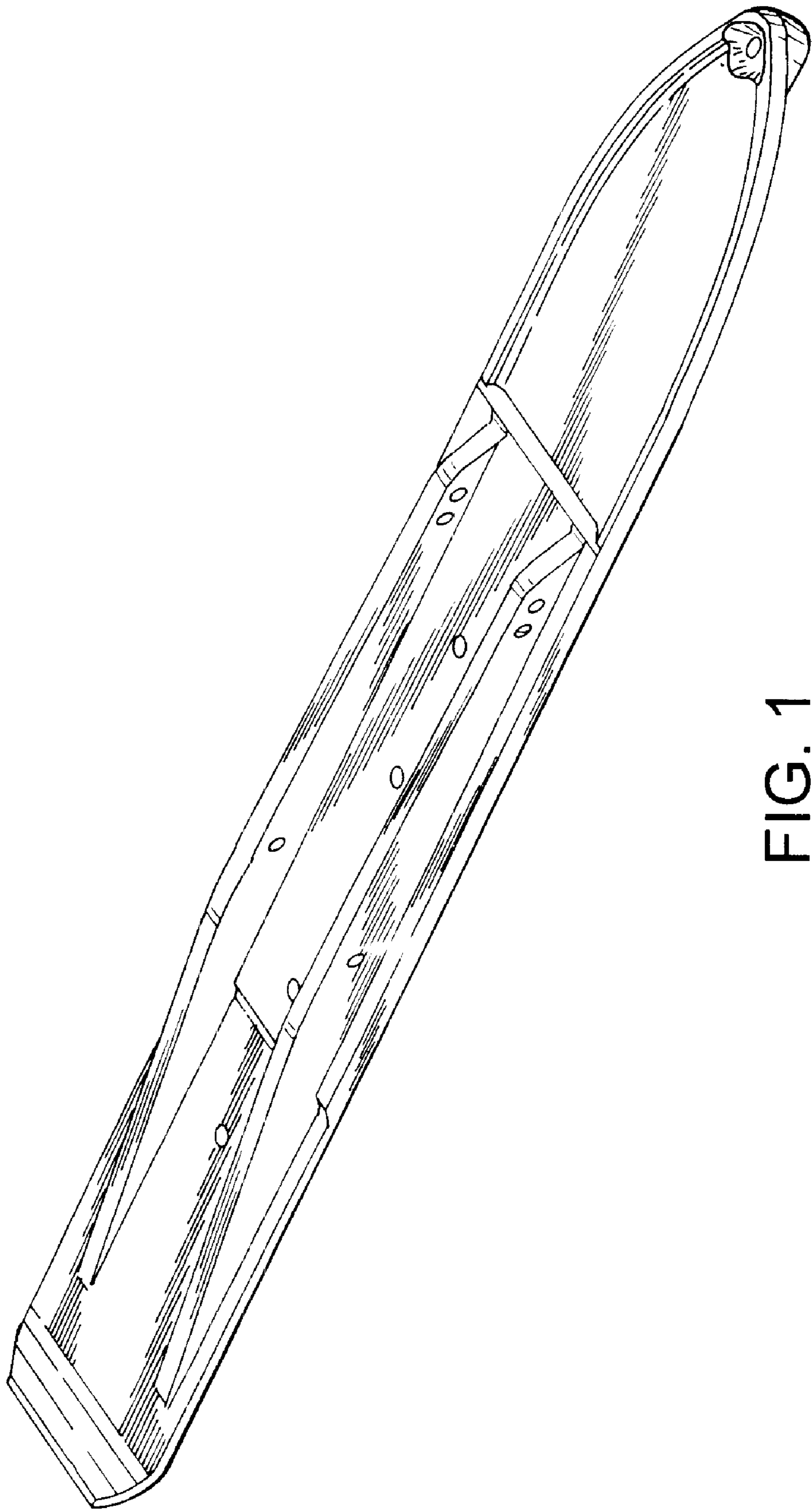


FIG. 1

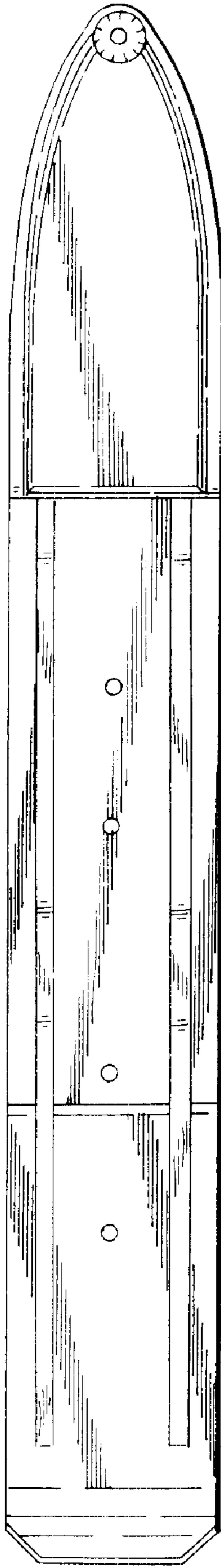


FIG. 2



FIG. 3

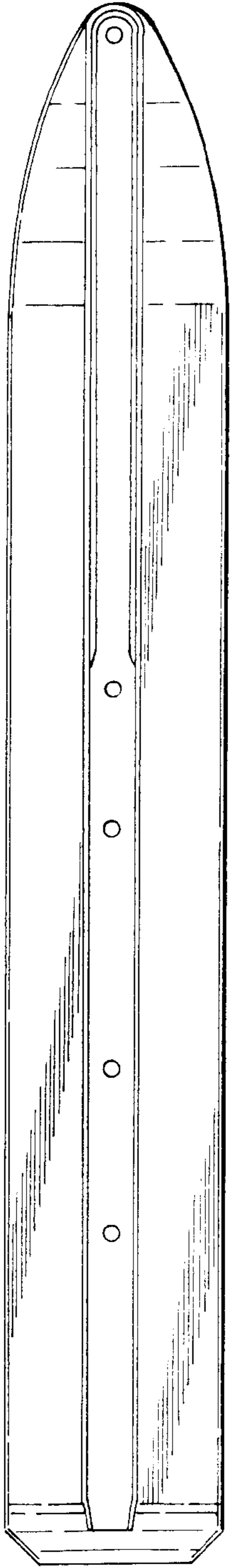


FIG. 4

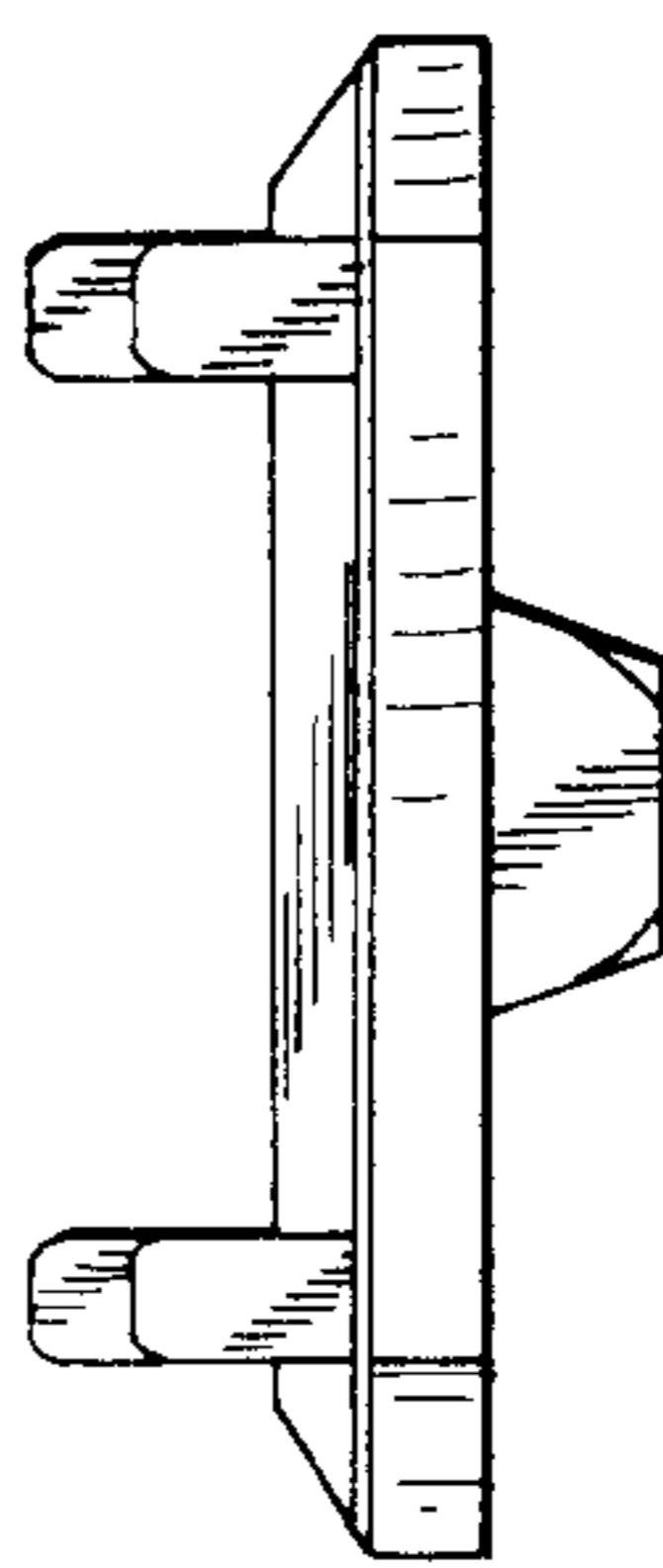


FIG. 5

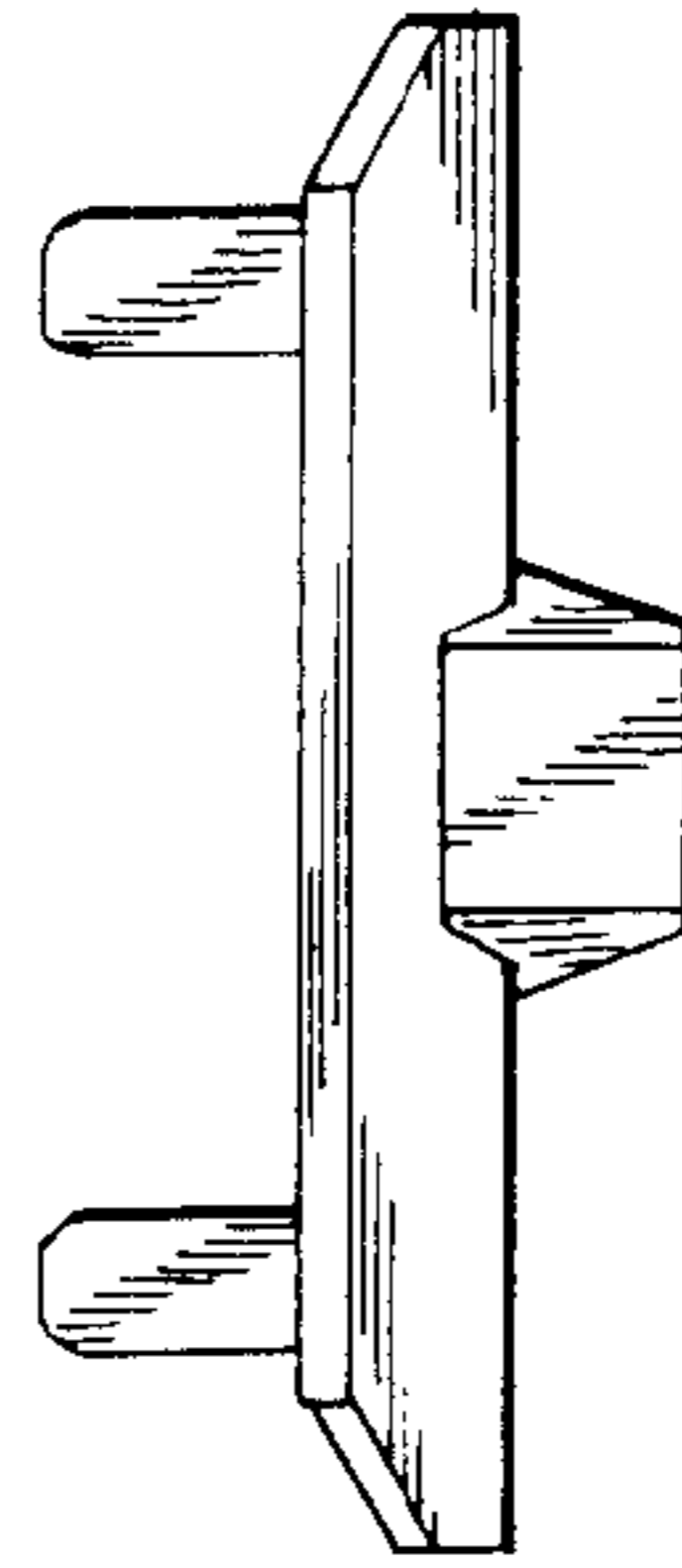


FIG. 6

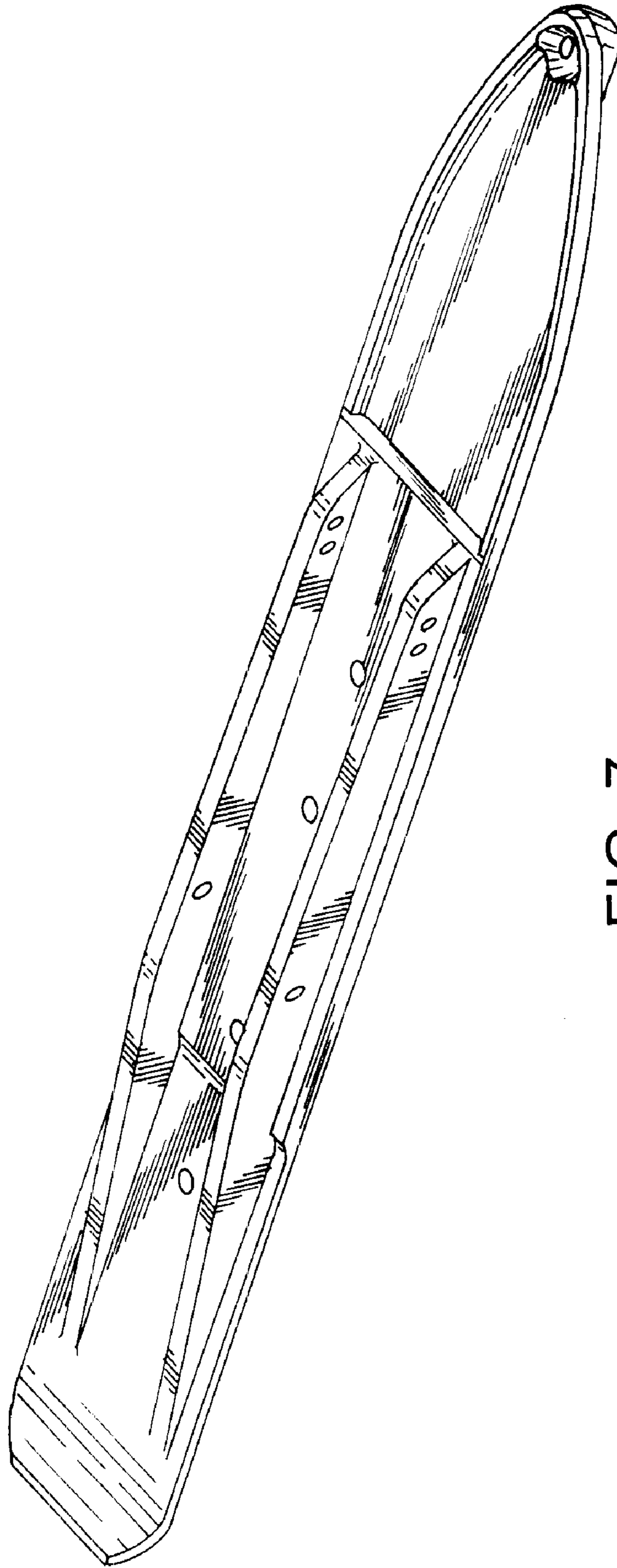


FIG. 7

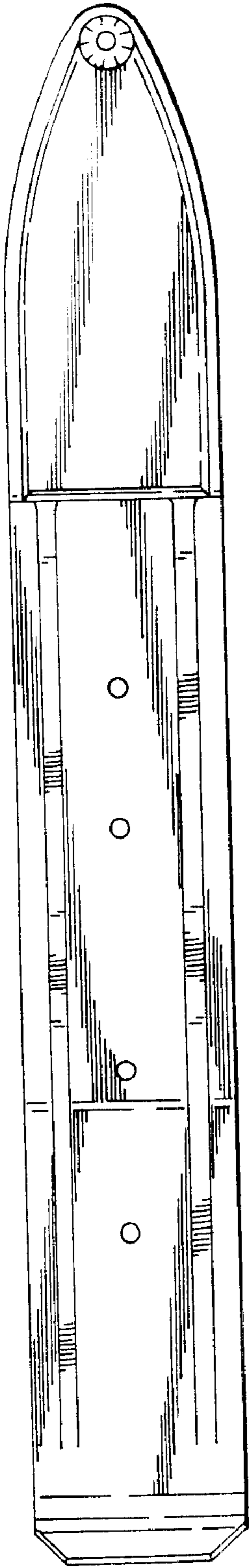


FIG. 8

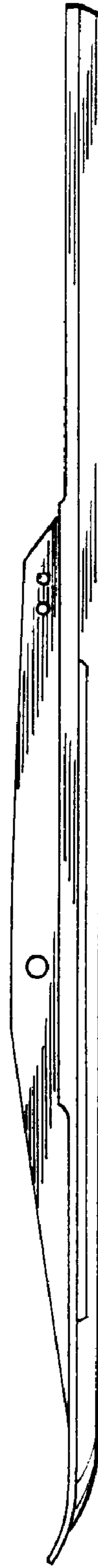


FIG. 9

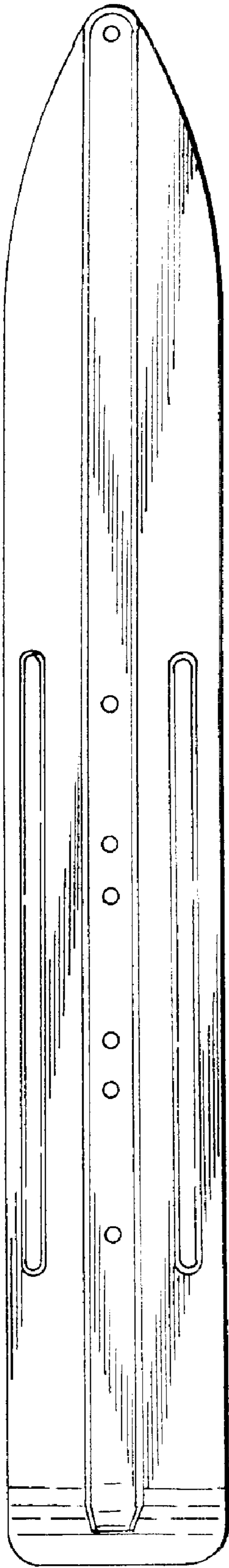


FIG. 10

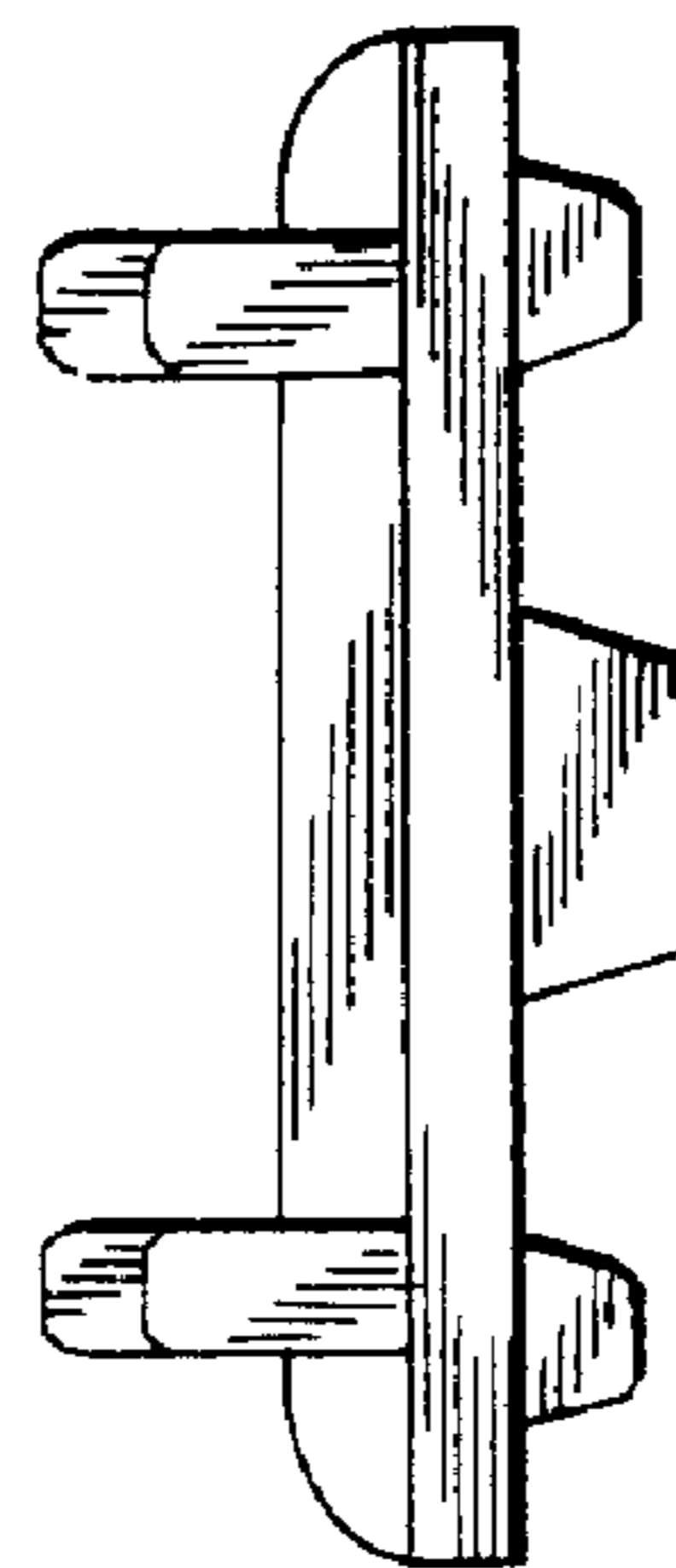


FIG. 11

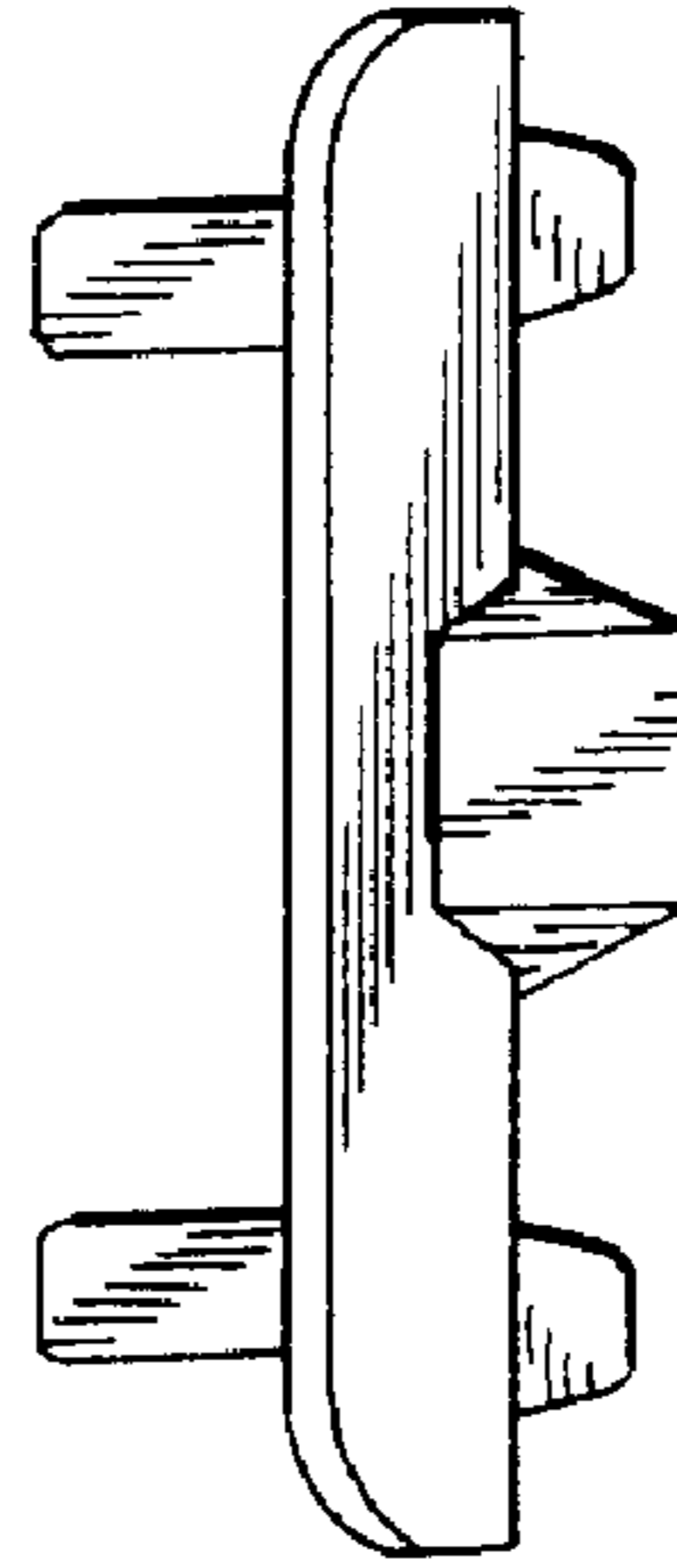


FIG. 12