



US00D466822S

(12) **United States Design Patent**  
**Li**

(10) **Patent No.:** **US D466,822 S**

(45) **Date of Patent:** **\*\* Dec. 10, 2002**

(54) **CLOCK**

(75) Inventor: **Kar Yee Kelly Li, Kwai Chung (HK)**

(73) Assignee: **Oro Watch Limited, Hong Kong (HK)**

(\*\*) Term: **14 Years**

(21) Appl. No.: **29/158,716**

(22) Filed: **Apr. 8, 2002**

(51) **LOC (7) Cl.** ..... **10-01**

(52) **U.S. Cl.** ..... **D10/15**

(58) **Field of Search** ..... D10/1-40, 122-132;  
368/280-282, 276-277, 28-30, 285, 239-242,  
82-84, 41-44

(56) **References Cited**

**U.S. PATENT DOCUMENTS**

D202,627 S	*	10/1965	Warhaftig	.....	D21/622
D233,026 S	*	10/1974	Blessing	.....	D10/23
D262,591 S	*	1/1982	Cardenas et al.	.....	D6/305
D276,703 S	*	12/1984	Au	.....	D10/15
D314,513 S	*	2/1991	Hardin	.....	D9/435
D328,328 S	*	7/1992	Juarez	.....	D24/211
D340,959 S	*	11/1993	Warble	.....	D21/622
D356,955 S	*	4/1995	Ping	.....	D10/23
D359,693 S	*	6/1995	Chung	.....	D10/7

D417,157 S \* 11/1999 Chang ..... D10/8

D421,915 S \* 3/2000 Alexander, II ..... D10/8

\* cited by examiner

*Primary Examiner*—Nelson C. Holtje

(74) *Attorney, Agent, or Firm*—Jackson Walker L.L.P.

(57) **CLAIM**

The ornamental design of a clock, as shown and described.

**DESCRIPTION**

FIG. 1 is a front perspective view of my new design.

FIG. 2 is a top plan view thereof.

FIG. 3 is a bottom plan view thereof;

FIG. 4 is a front elevation view thereof.

FIG. 5 is a rear elevation view thereof.

FIG. 6 is a right side elevation view thereof;

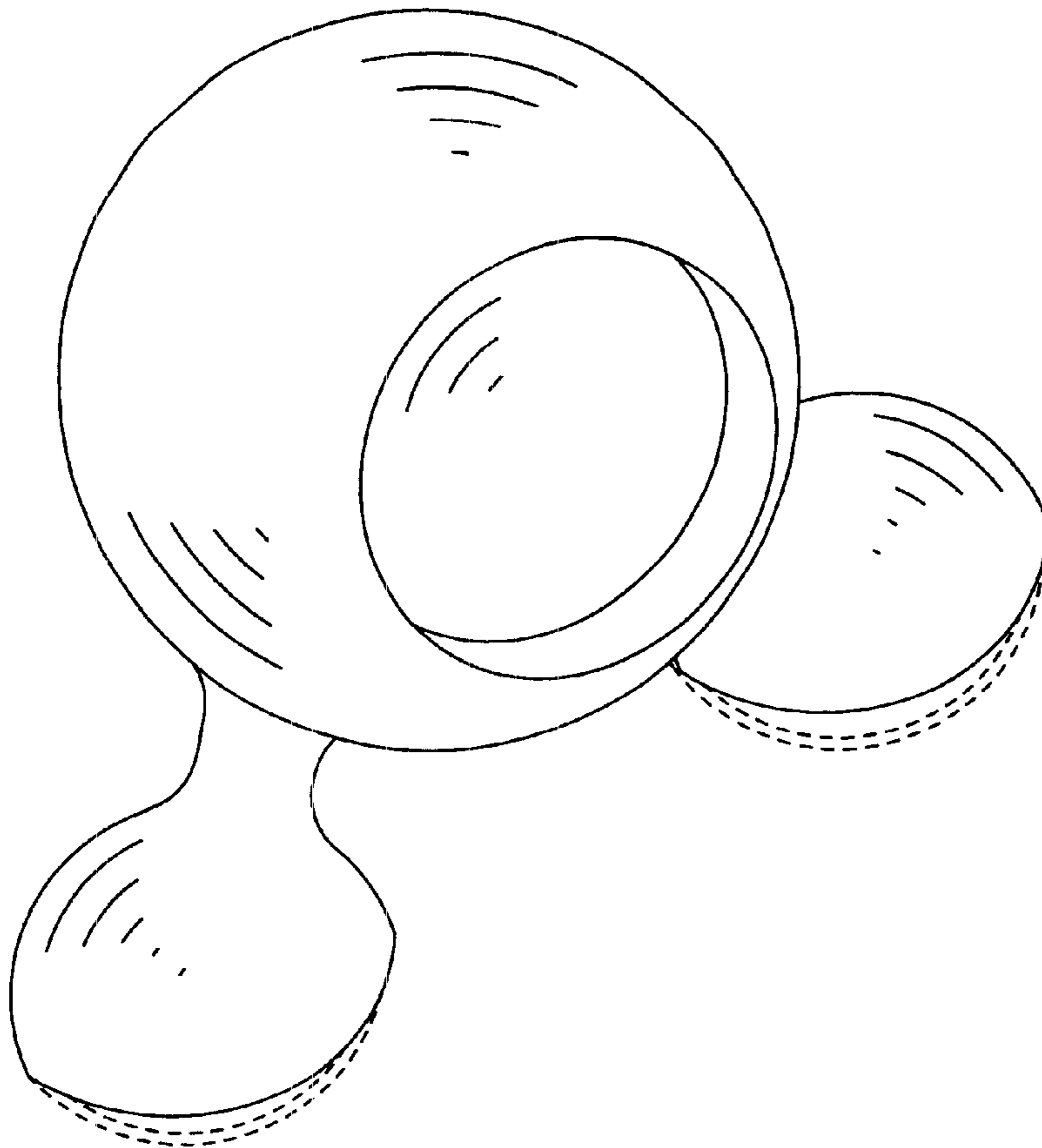
FIG. 7 is a left side elevation view thereof.

FIG. 8 is another front perspective view thereof in an alternate environment; and,

FIG. 9 is a front elevational view of FIG. 8.

The broken-lines showings of FIGS. 1-9 are for illustrative purposes only and form no part of the claimed design. Specifically, those of FIGS. 1-7 show the design with suction legs, while those of FIGS. 8 and 9 show the design with magnetic legs.

**1 Claim, 6 Drawing Sheets**



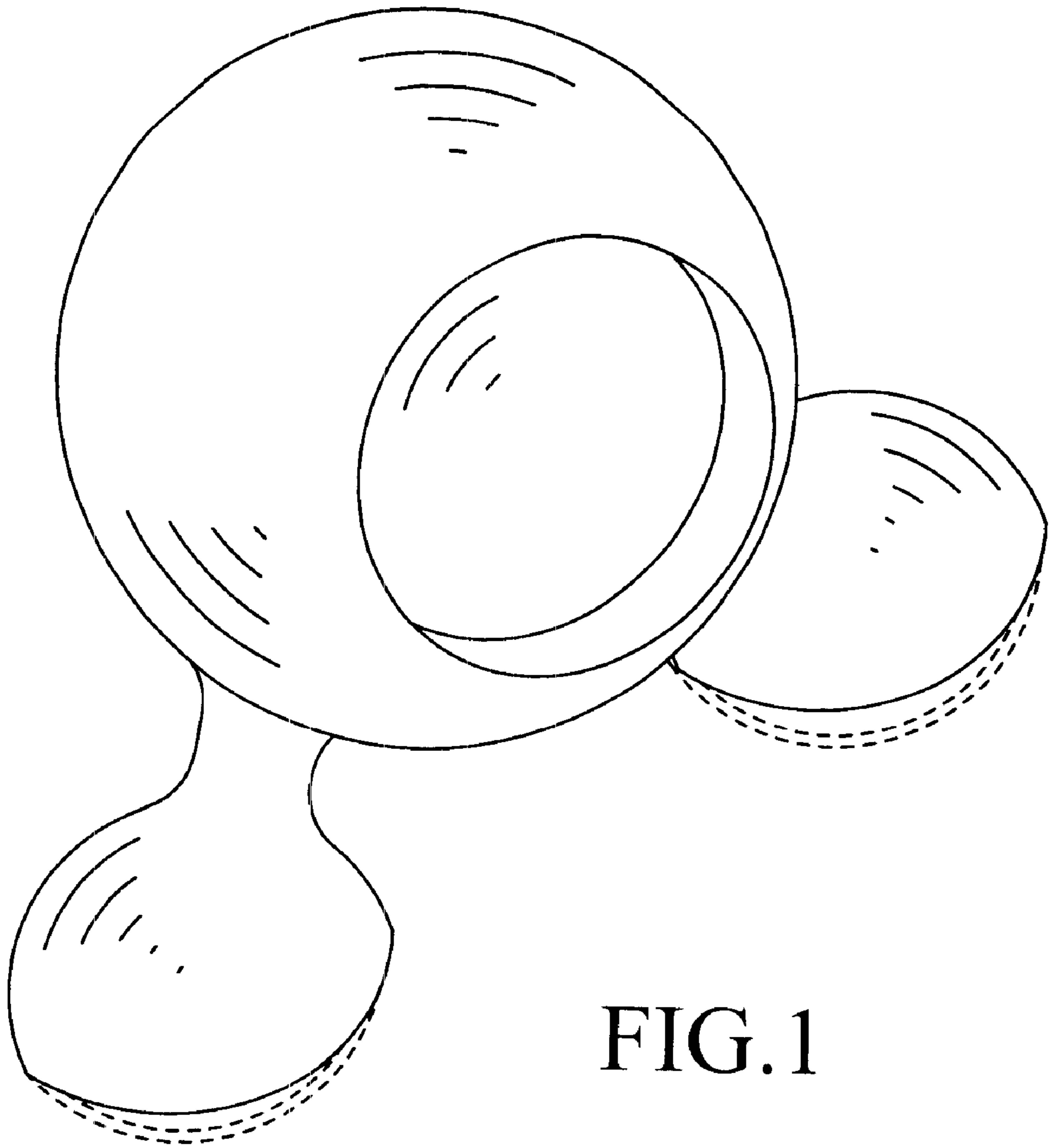


FIG. 1

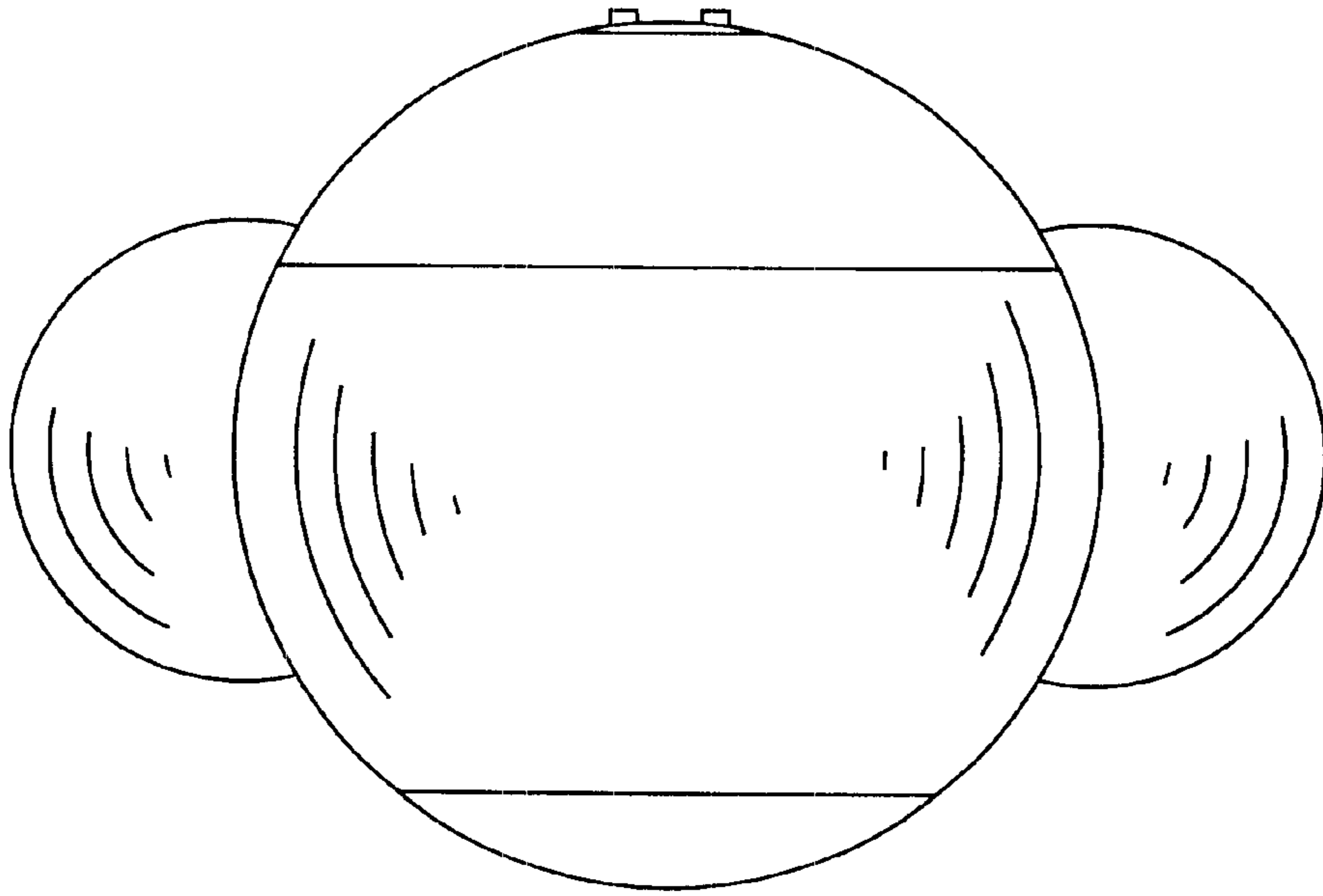


FIG. 2

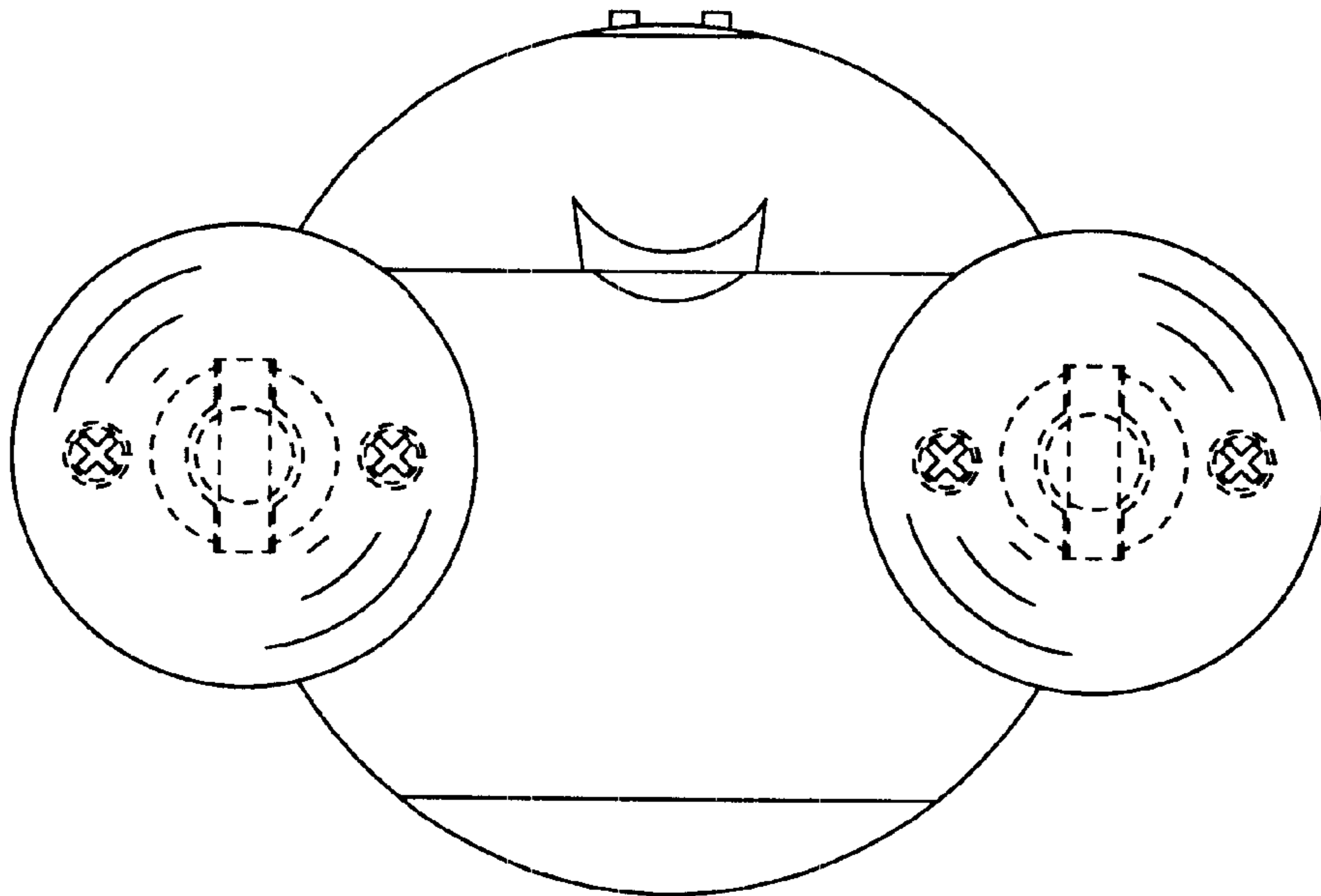


FIG. 3

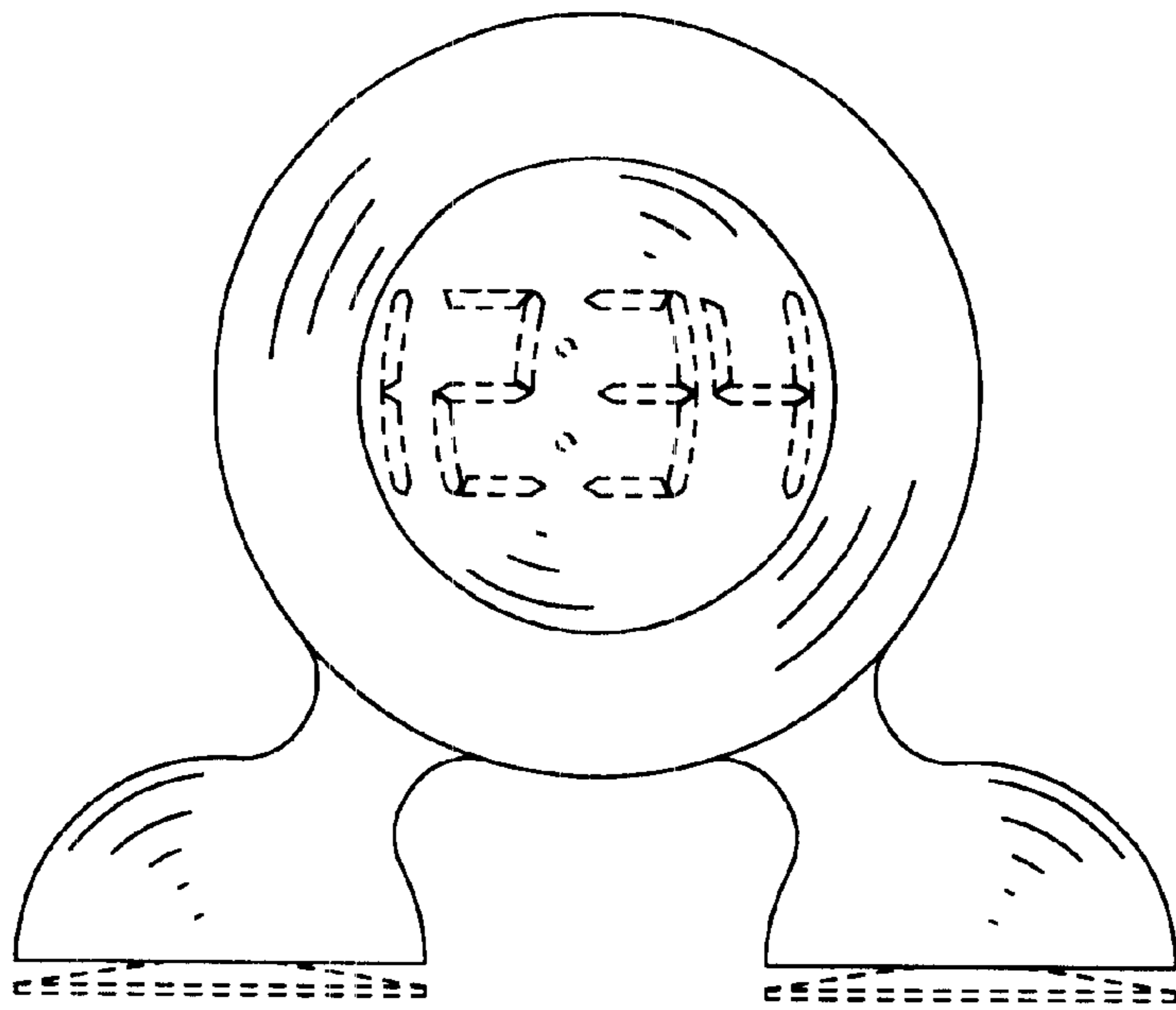


FIG. 4

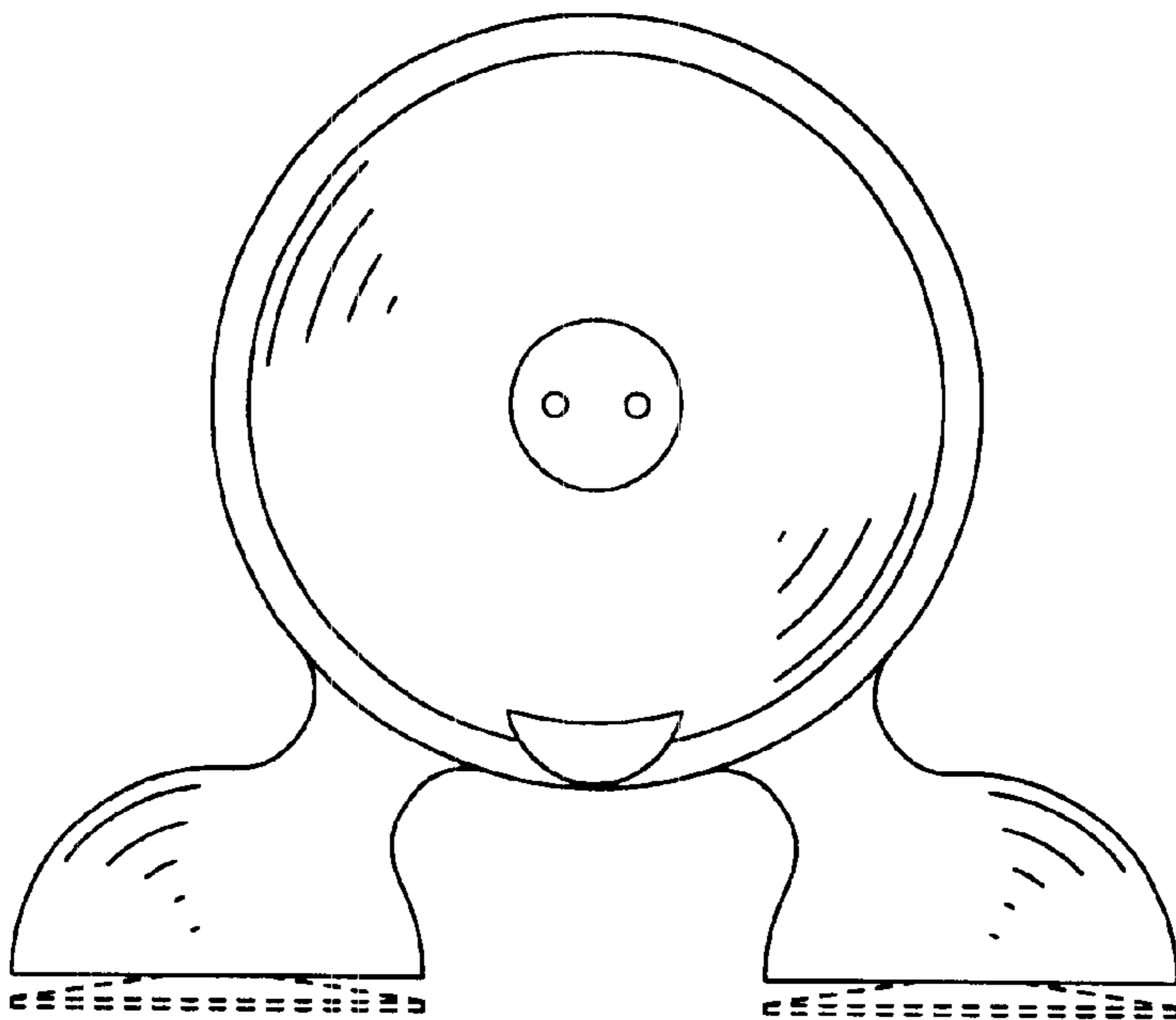


FIG. 5

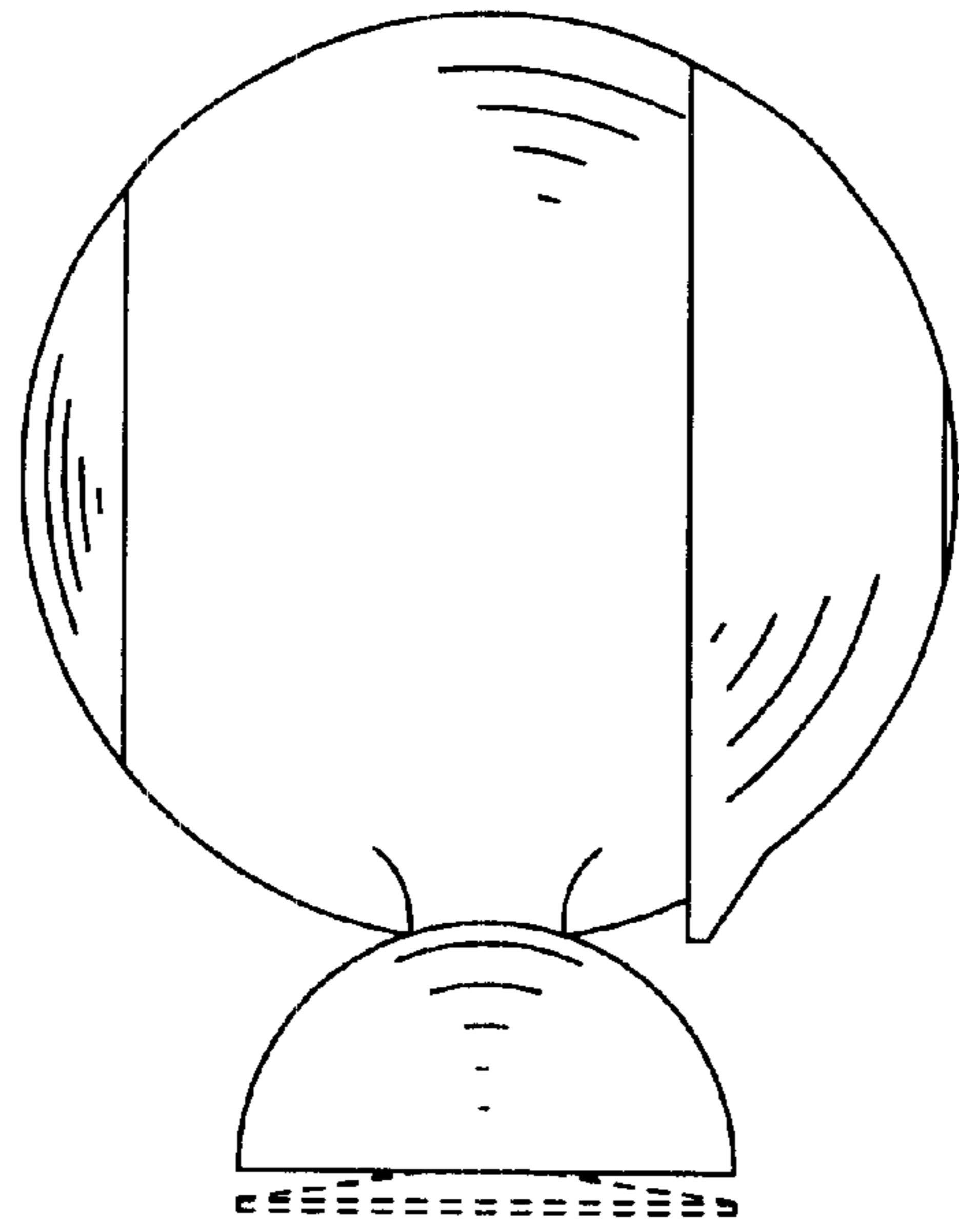


FIG. 6

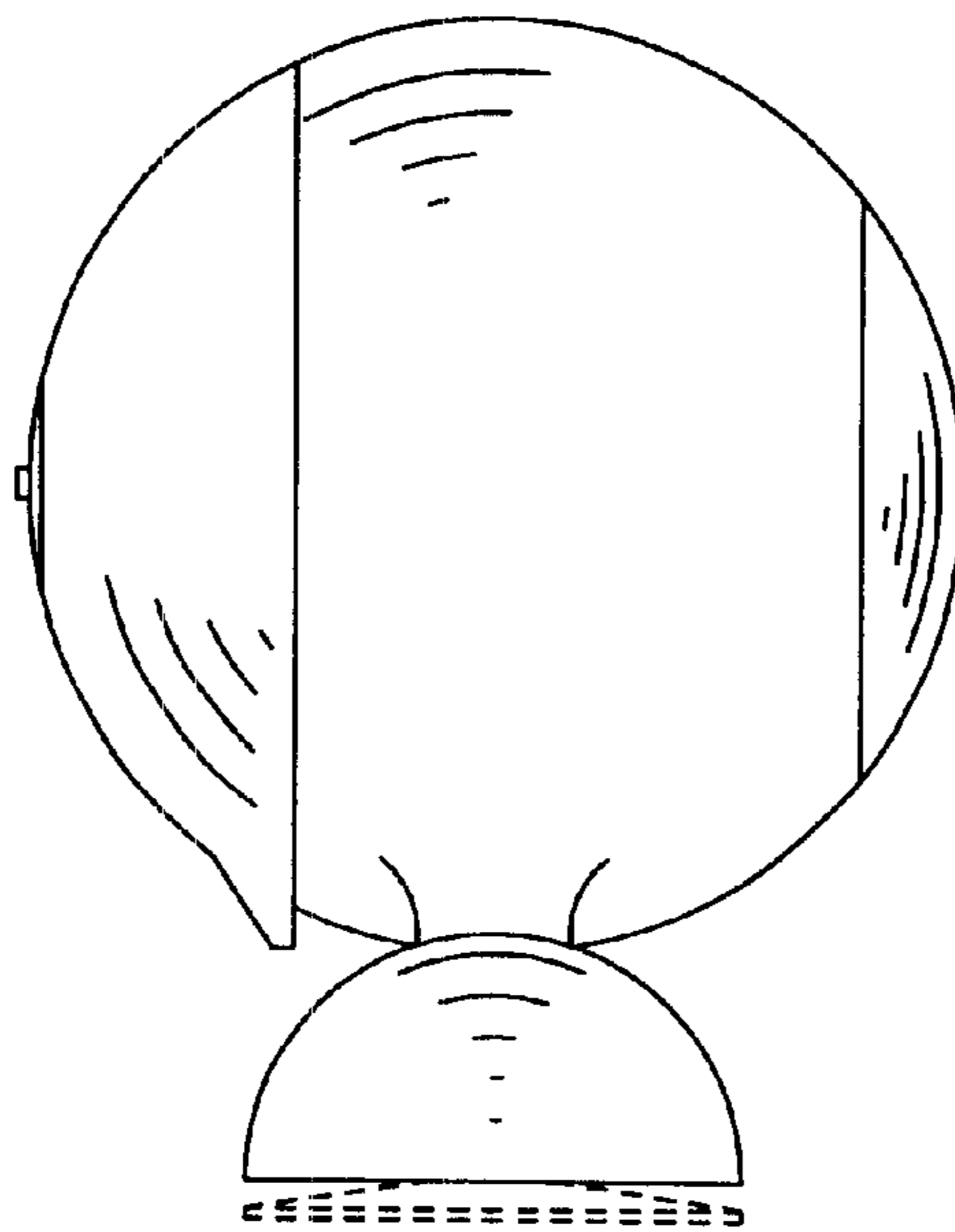


FIG. 7

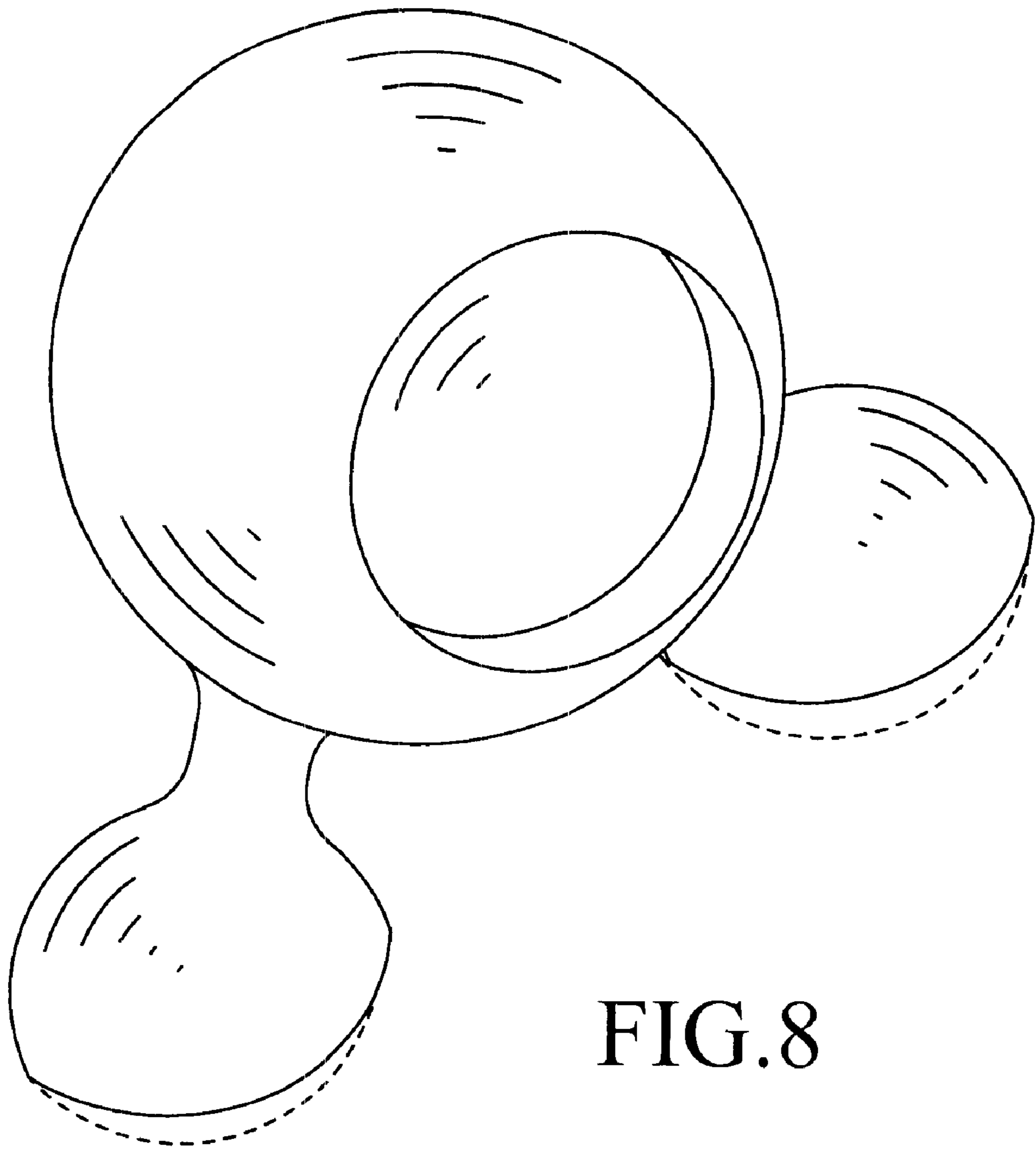


FIG. 8

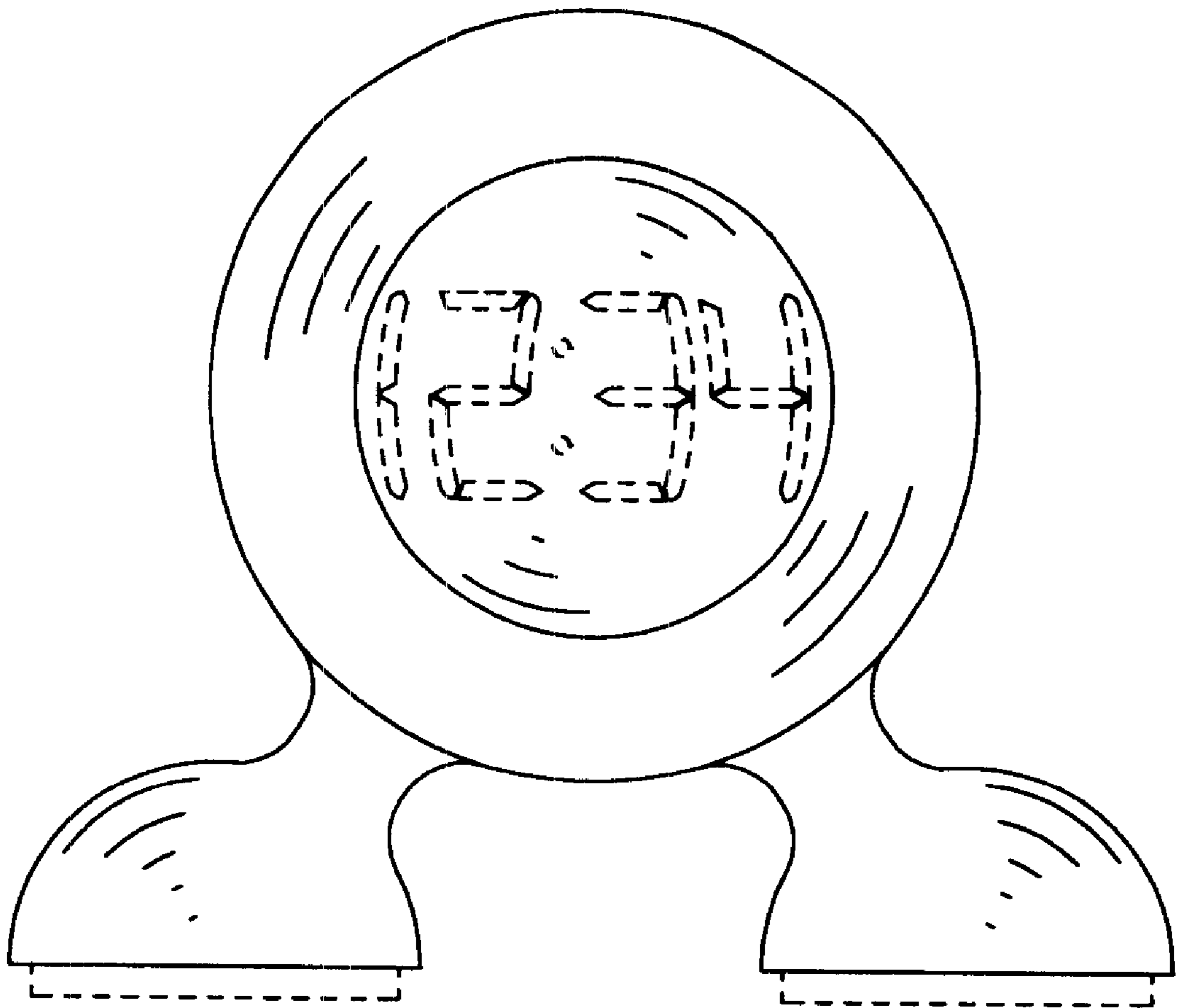


FIG.9