



US00D466817S

(12) **United States Design Patent**
Thierjung et al.

(10) **Patent No.:** **US D466,817 S**

(45) **Date of Patent:** **** Dec. 10, 2002**

(54) **CONTAINER**

(75) Inventors: **George Thierjung**, Appleton, WI (US);
Neil Topham, Menasha, WI (US)

(73) Assignee: **Pechiney Emballage Flexible Europe**
(FR)

(**) Term: **14 Years**

(21) Appl. No.: **29/148,423**

(22) Filed: **Sep. 20, 2001**

(51) **LOC (7) Cl.** **09-01**

(52) **U.S. Cl.** **D9/538; D9/549; D9/574**

(58) **Field of Search** D9/307, 434, 500,
D9/502-503, 506, 516, 520, 529-530, 537-543,
549, 552, 554, 557-558, 565, 570, 574-575,
556, 569; 215/381-385, 6, 10, 396, 398;
220/662, 669, 675

(56) **References Cited**

U.S. PATENT DOCUMENTS

D223,808 S	*	6/1972	Beaver	D9/542
D247,469 S	*	3/1978	Plummer	D9/538
D278,682 S	*	5/1985	Khalifa	D9/538
D309,261 S	*	7/1990	Weckman	D9/556
D366,416 S	*	1/1996	Semersky	D9/434
D402,563 S	*	12/1998	Prevot et al.	D9/538
D406,533 S	*	3/1999	Maus	D9/558
D435,455 S	*	12/2000	Gans	D9/541
D445,036 S		7/2001	Goettner et al.		
D445,339 S	*	7/2001	Bazlur	D9/538
D445,694 S	*	7/2001	Gans	D9/538
D446,458 S	*	8/2001	Gans	D9/538
D451,401 S	*	12/2001	Silvers et al.	D9/538
D452,445 S	*	12/2001	Silvers et al.	D9/538
D455,656 S	*	4/2002	Gans et al.	D9/541

* cited by examiner

Primary Examiner—Ted Shooman

Assistant Examiner—Carol Rademaker

(74) *Attorney, Agent, or Firm*—McDermott, Will & Emery

(57) **CLAIM**

The ornamental design for a container, as shown and described.

DESCRIPTION

FIG. 1 is a perspective view of the design of the present invention;

FIG. 2 is a front elevational view of the design depicted in FIG. 1, shown at a reduced scale;

FIG. 3 is a rear elevational view of the design depicted in FIG. 1, shown at a reduced scale;

FIG. 4 is a right-side elevational view of the design depicted in FIG. 1, shown at a reduced scale;

FIG. 5 is a left-side elevational view of the design depicted in FIG. 1, shown at a reduced scale;

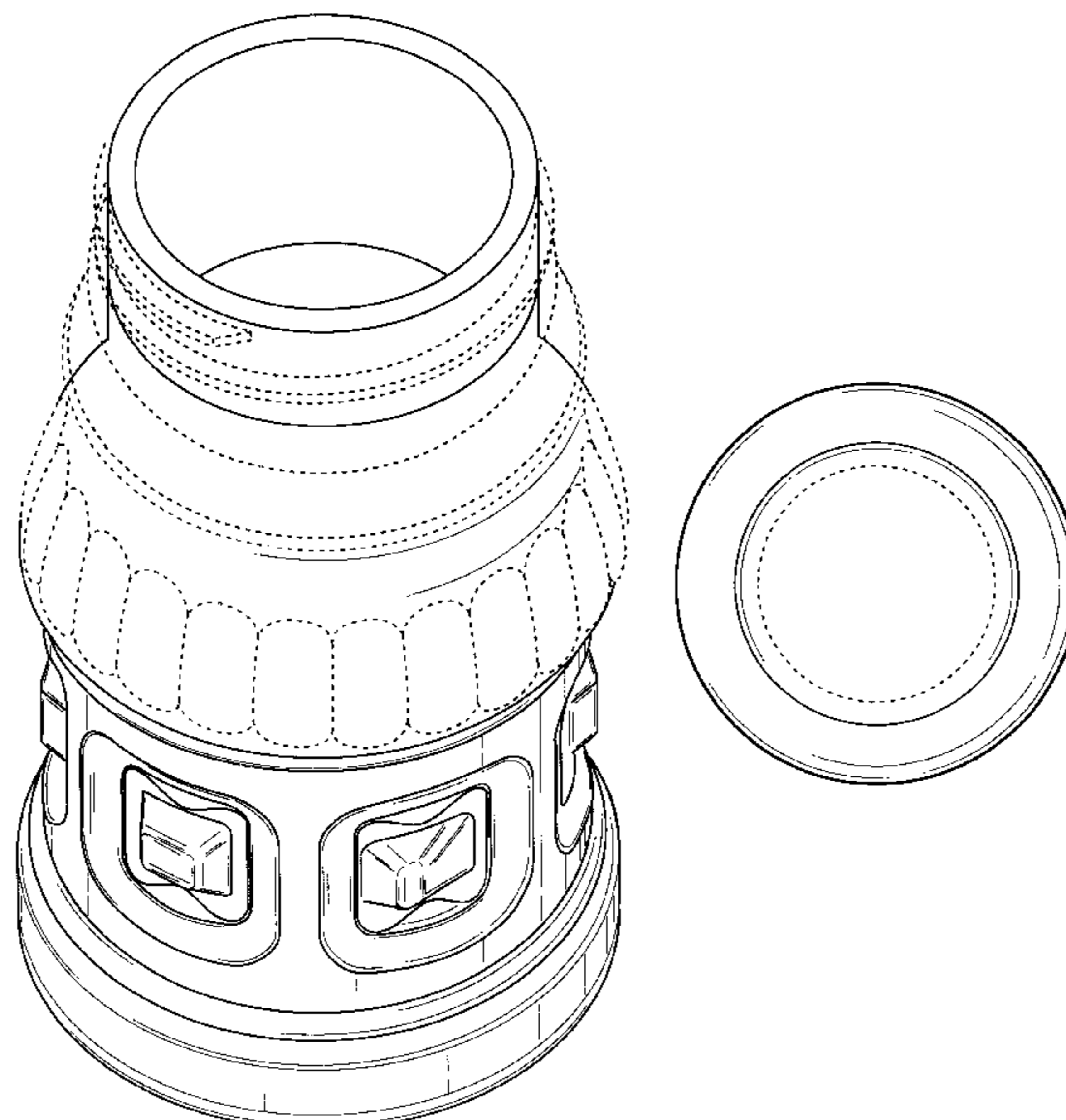
FIG. 6 is a top plan view of the design depicted in FIG. 1, shown at a reduced scale;

FIG. 7 is a bottom plan view of the design depicted in FIG. 1, shown at a reduced scale; and,

FIG. 8 is a cross-sectional view of the design depicted in FIG. 1 taken as shown in FIG 2, shown at a reduced scale.

Features presented in phantom illustrate the environment of the design only and form no part of the claimed design. The shading presented in the accompanying drawings is provided merely to highlight the contour of the invention and is not intended to be illustrative of texture or gloss. The cross-hatching presented in FIG. 8 is not intended to be illustrative of material.

1 Claim, 4 Drawing Sheets



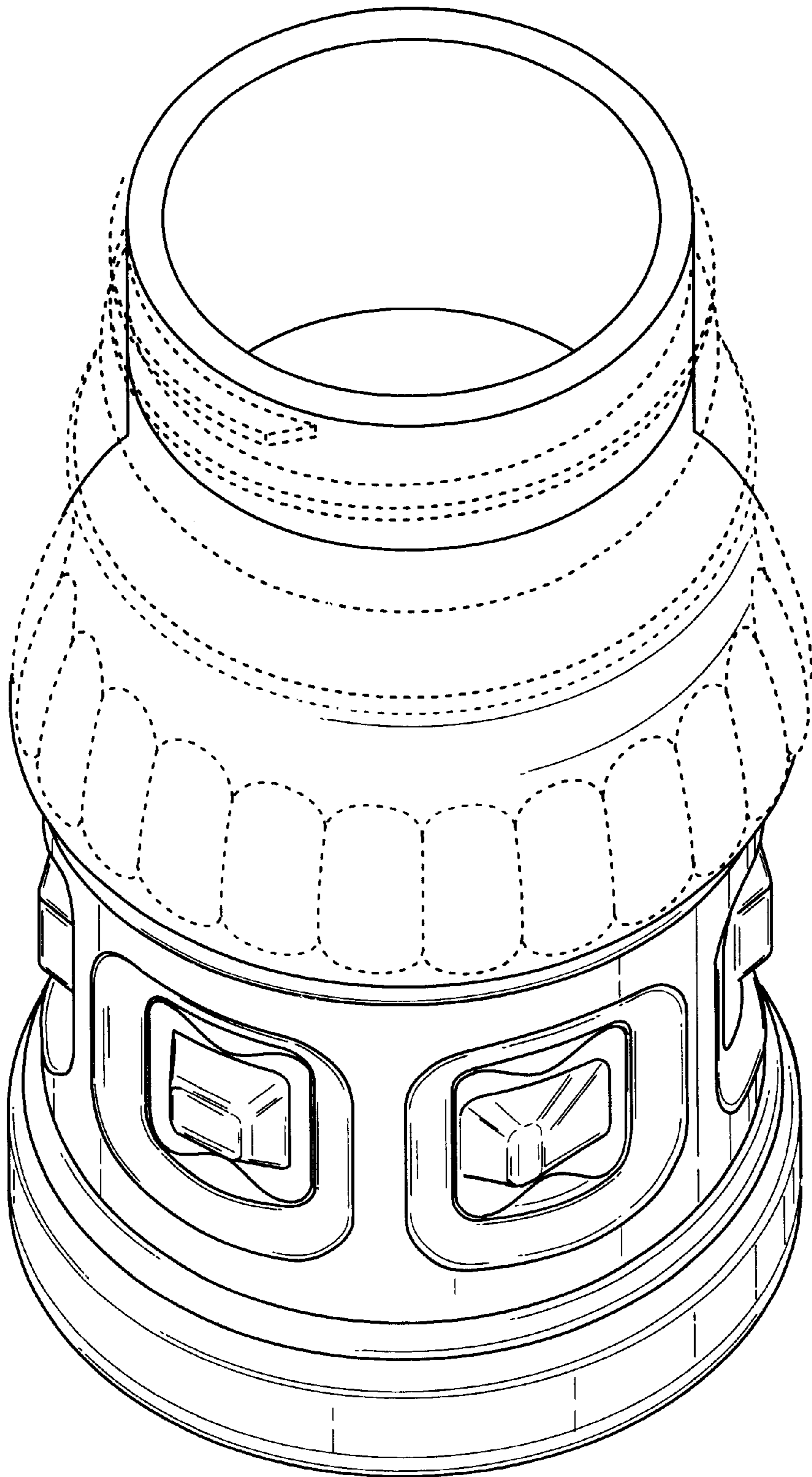


Fig. 1

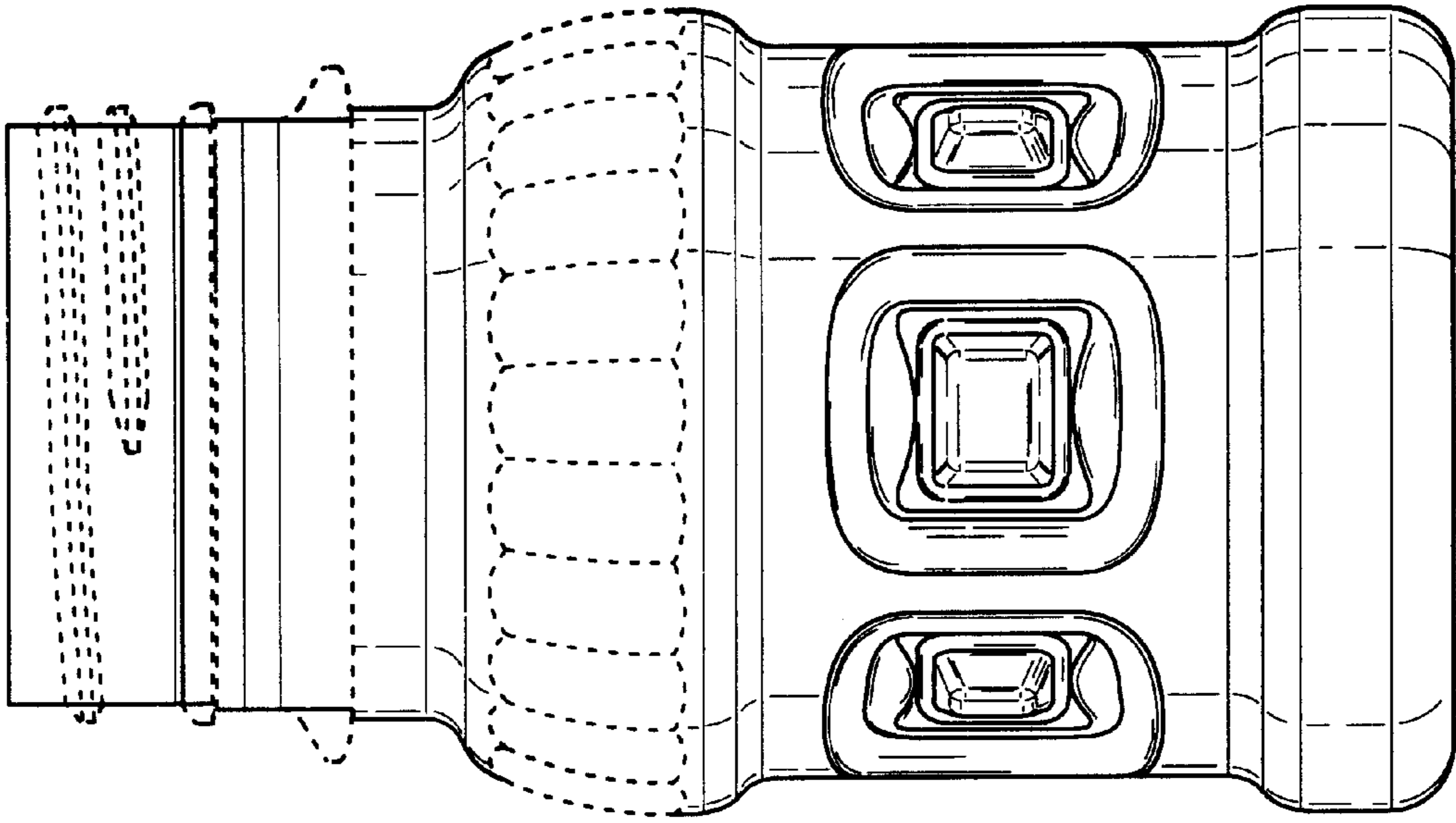


Fig. 3

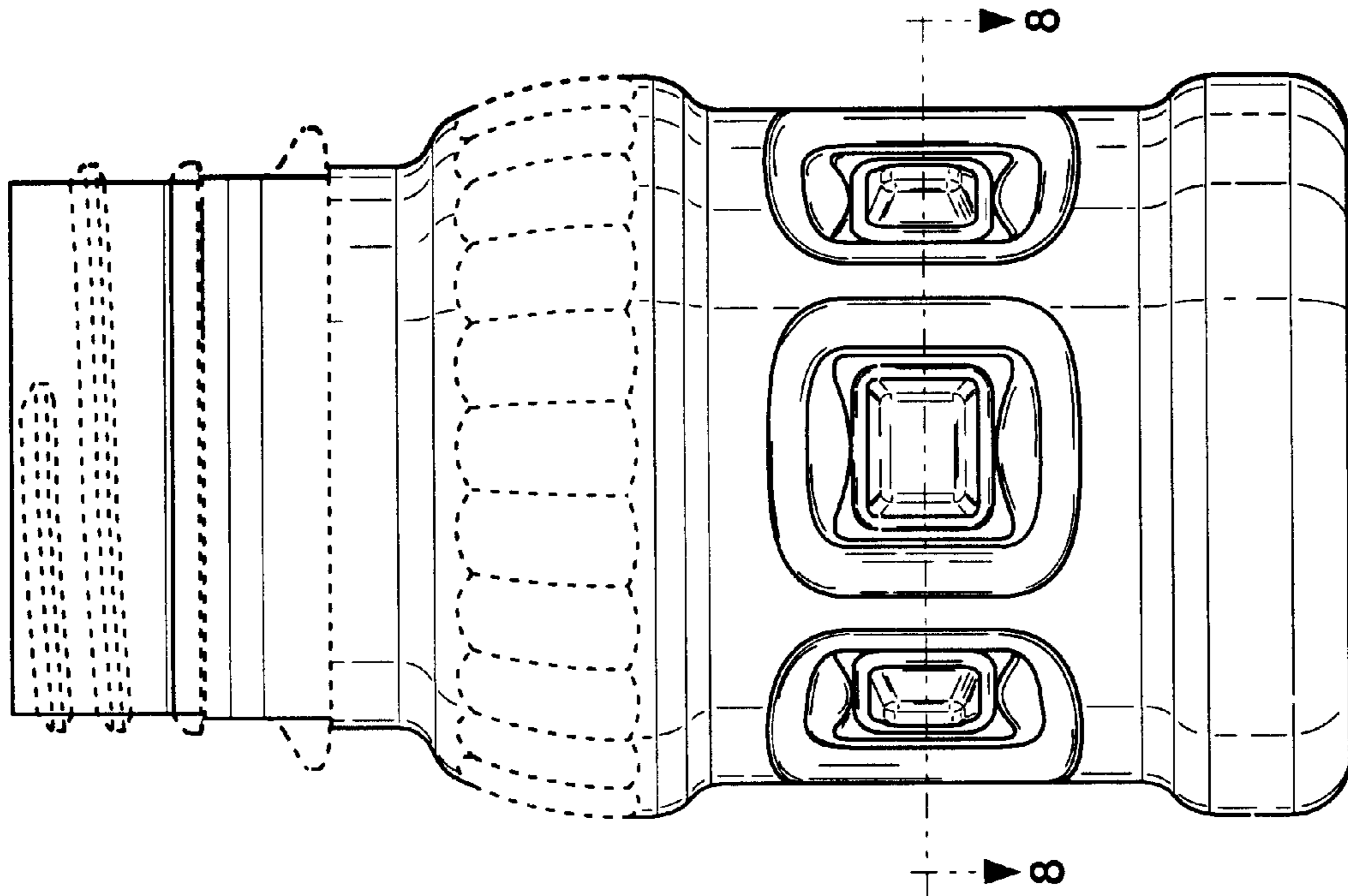


Fig. 2

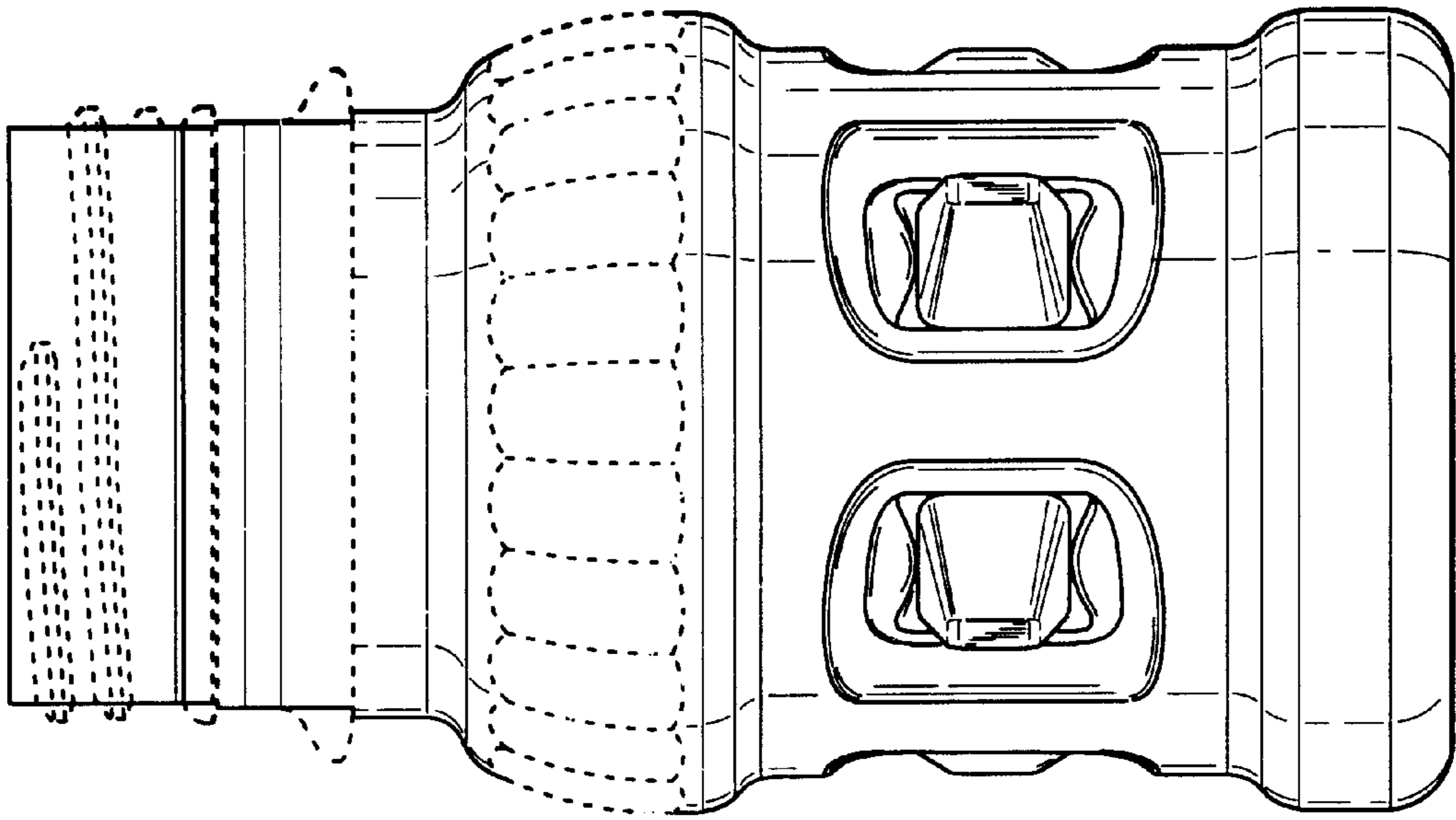


Fig. 5

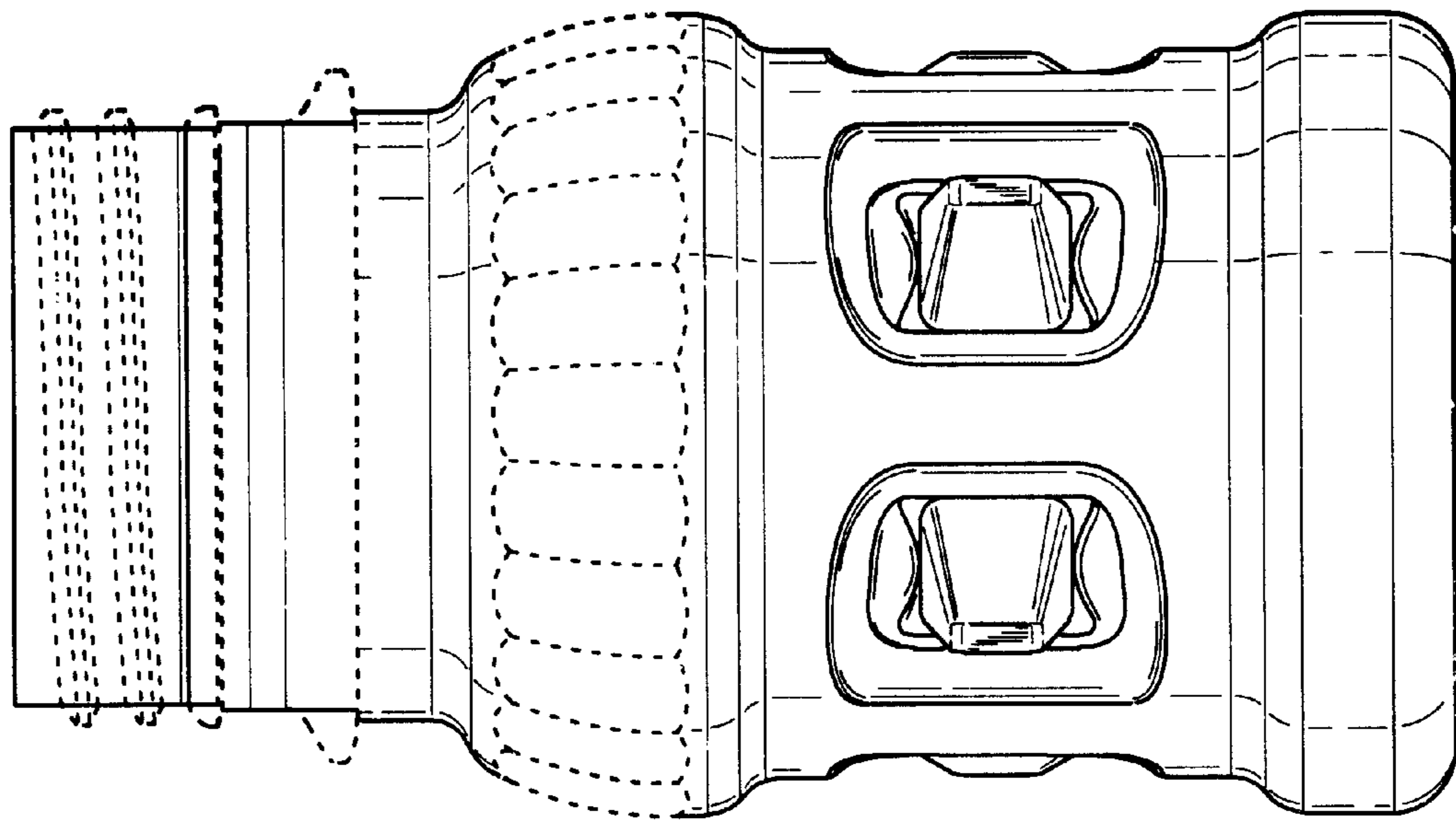


Fig. 4

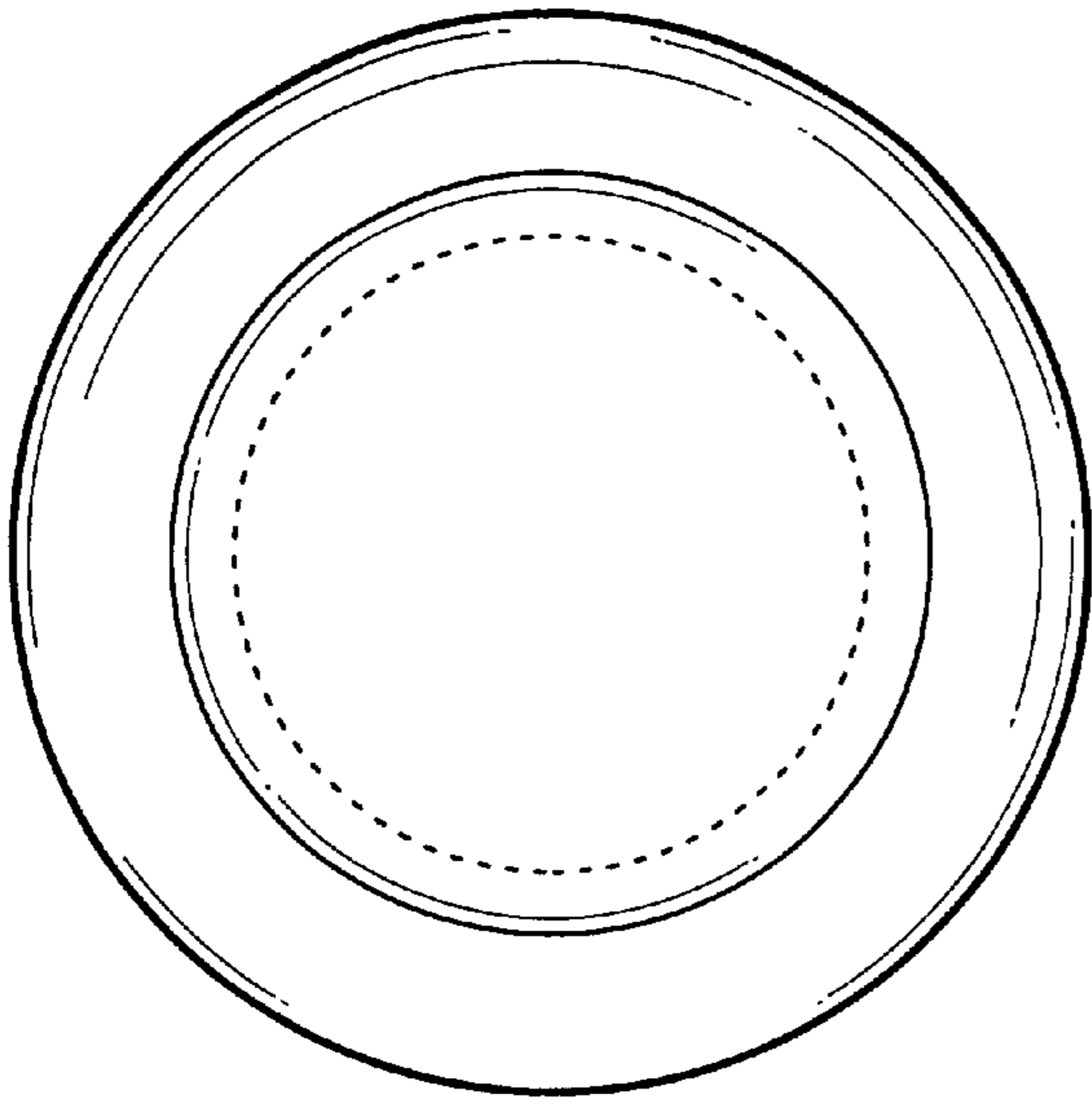


Fig. 7

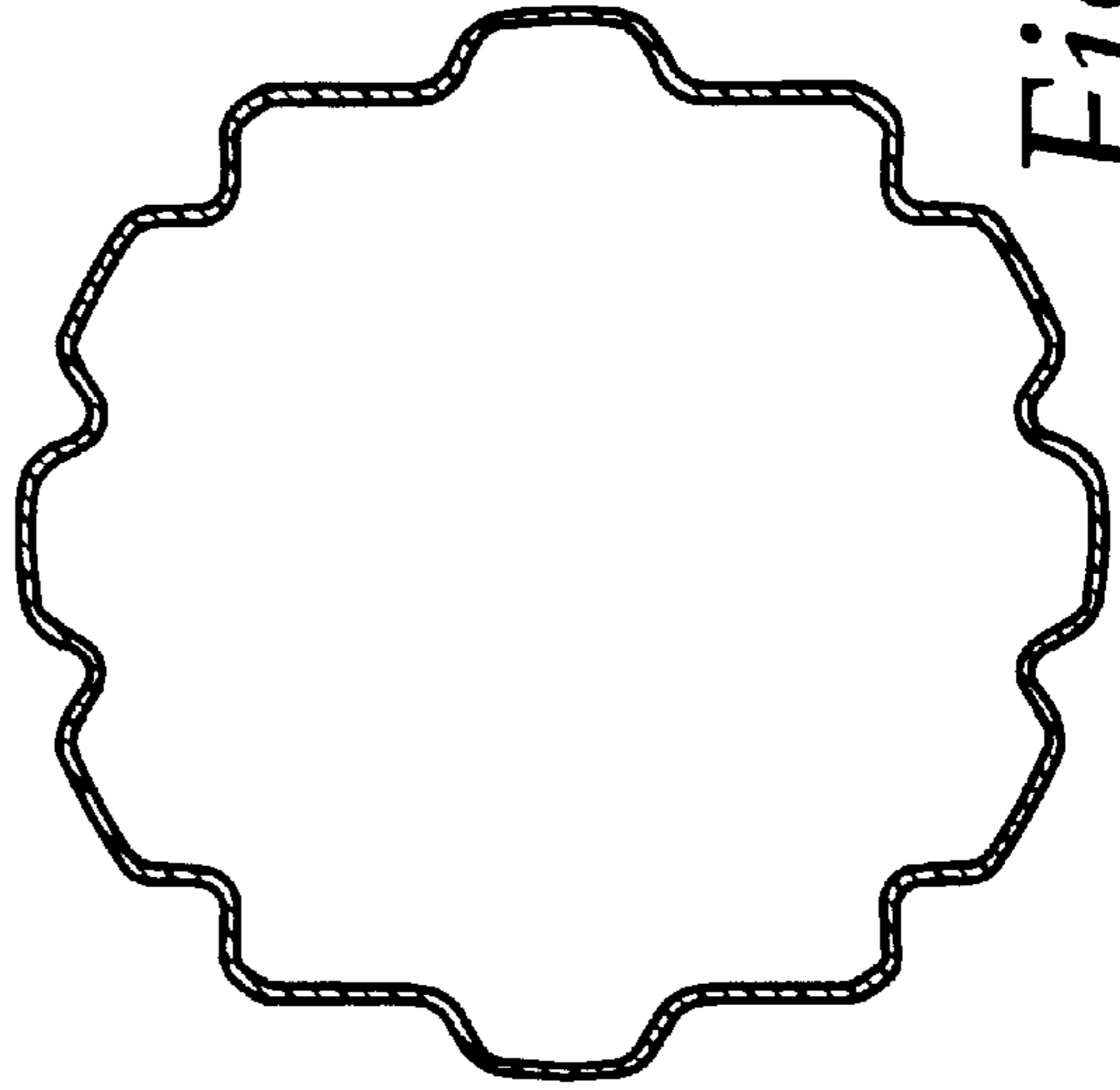


Fig. 8

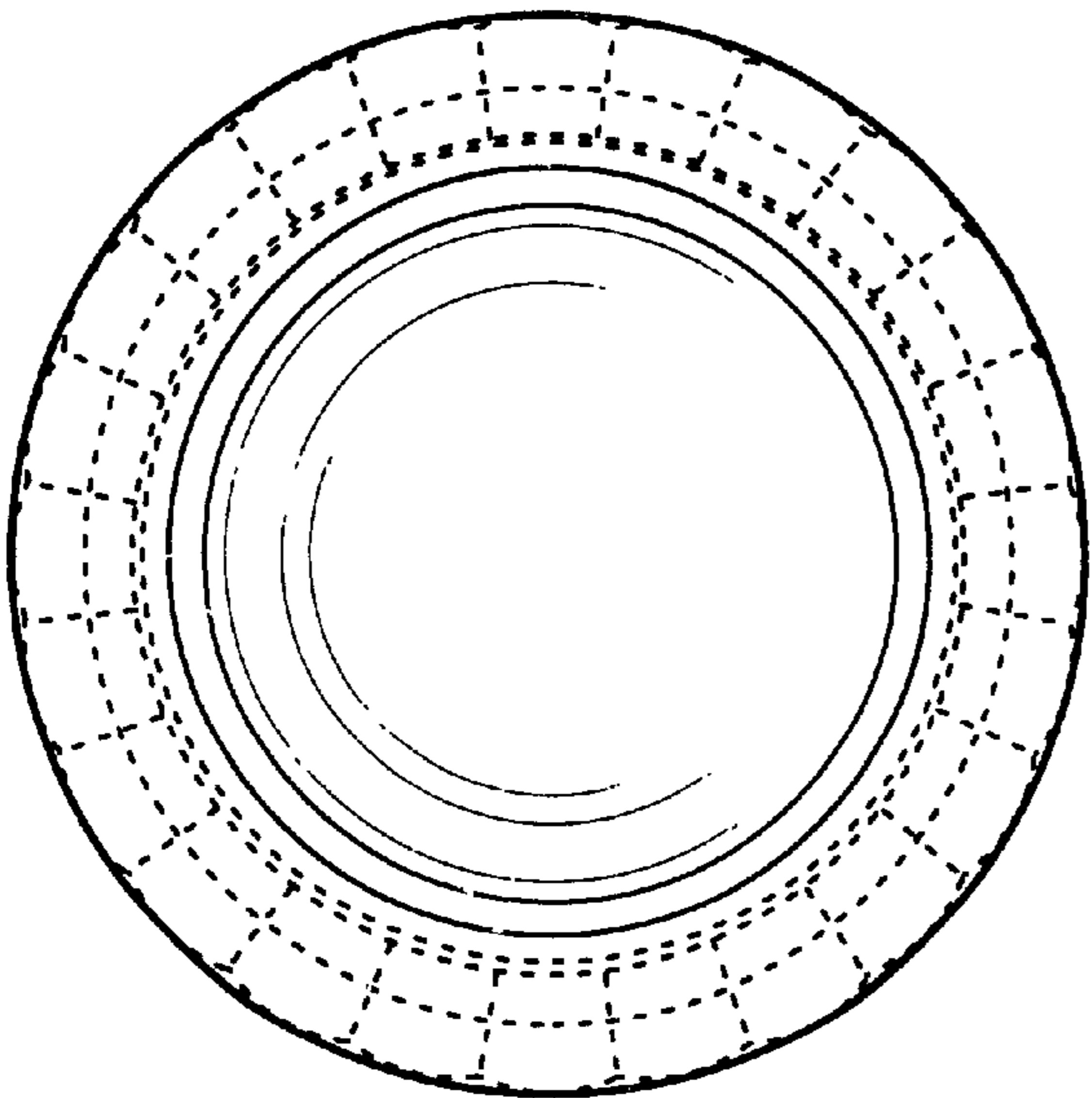


Fig. 6