



US00D466814S

(12) **United States Design Patent**
Hurlburt

(10) **Patent No.:** **US D466,814 S**

(45) **Date of Patent:** **** Dec. 10, 2002**

(54) **PROPEL-REPEL CONTAINER**

(75) **Inventor:** **David R. Hurlburt**, West Cornwall, CT
(US)

(73) **Assignee:** **ATP Plastics, Inc.**, Wilmington, DE
(US)

(**) **Term:** **14 Years**

(21) **Appl. No.:** **29/155,604**

(22) **Filed:** **Feb. 12, 2002**

Related U.S. Application Data

(63) Continuation of application No. 10/011,057, filed on Dec. 6, 2001.

(51) **LOC (7) Cl.** **09-01**

(52) **U.S. Cl.** **D9/504; D9/338**

(58) **Field of Search** D3/202; D6/542;
D7/306; D9/516, 523, 526-528, 531, 537-538,
541, 543, 551, 556-558, 569, 570, 574-575,
500-504; D24/121, 224; D32/25, 30, 45;
215/10, 382-384, 396, 398, 400

(56) **References Cited**

U.S. PATENT DOCUMENTS

D112,950 S * 1/1939 Rubin D9/502
2,446,422 A * 8/1948 Jensen D9/504
2,757,859 A * 8/1956 Holland 220/910 X

3,578,467 A * 5/1971 Huber D9/505 X
4,232,977 A * 11/1980 Chutter 401/68
D274,848 S * 7/1984 Chevassus D28/76
D278,121 S * 3/1985 Sussman D9/504
D285,657 S * 9/1986 Poore D9/504
D289,143 S * 4/1987 Guillaume D9/501
D322,753 S * 12/1991 Sussman D9/504
D379,714 S * 6/1997 Cerny et al. D3/264
D389,279 S * 1/1998 Ryder D28/89
5,846,089 A * 12/1998 Weiss et al. 434/365
D434,980 S * 12/2000 Suzuki D9/418
D438,376 S * 3/2001 Marshall D3/257
D445,690 S * 7/2001 Ekkert D9/504
6,257,432 B1 * 7/2001 Ekkert 215/331
6,260,722 B1 * 7/2001 Ekkert 215/331

* cited by examiner

Primary Examiner—Mitchell Siegel

Assistant Examiner—Carol Rademaker

(74) *Attorney, Agent, or Firm*—Duane Morris LLP

(57) **CLAIM**

The ornamental design for a propel-repel container, as shown and described.

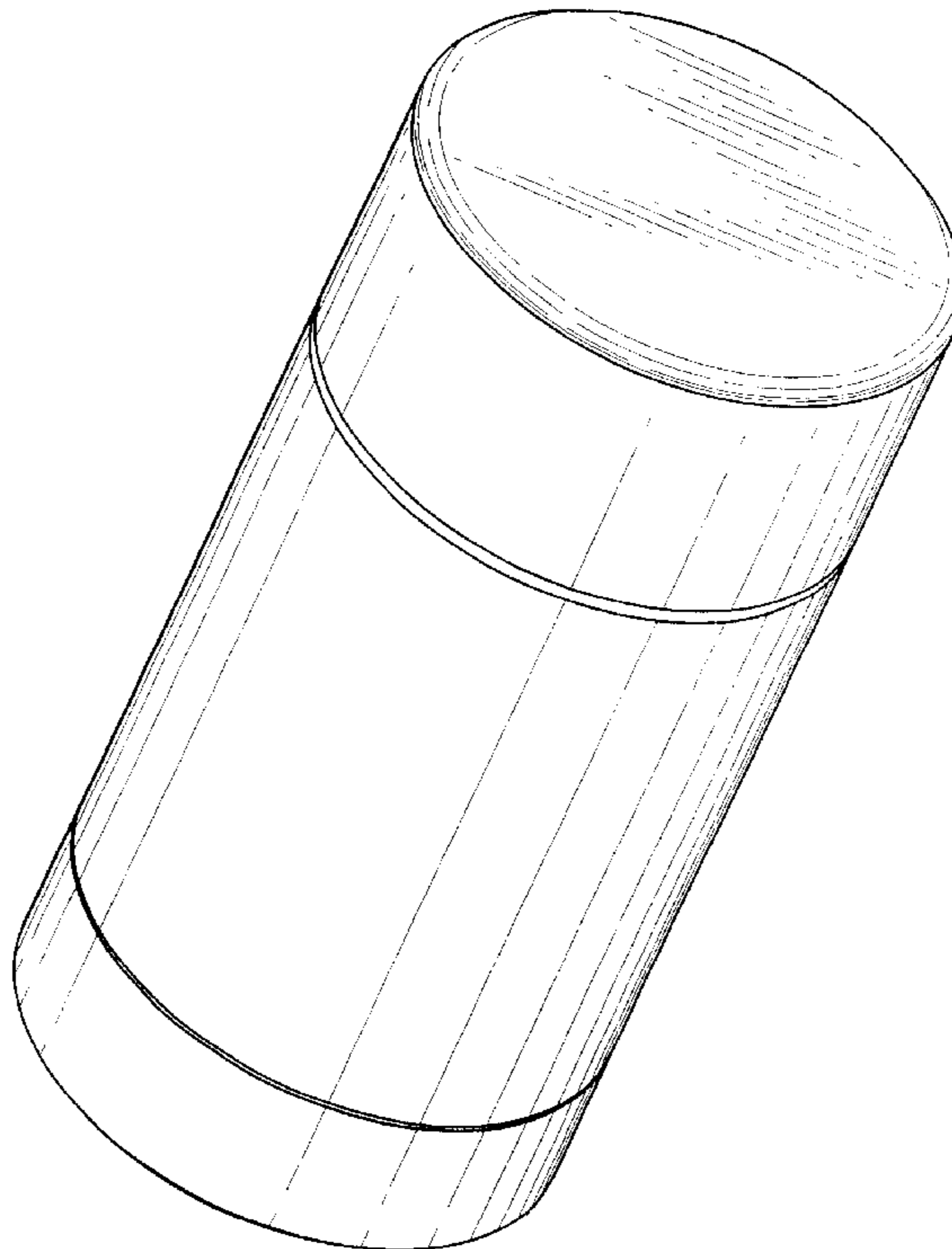
DESCRIPTION

FIG. 1 is a side perspective view of the container showing my new design;

FIG. 2: is a side elevational view; and,

FIG. 3: is a bottom plan view.

1 Claim, 2 Drawing Sheets



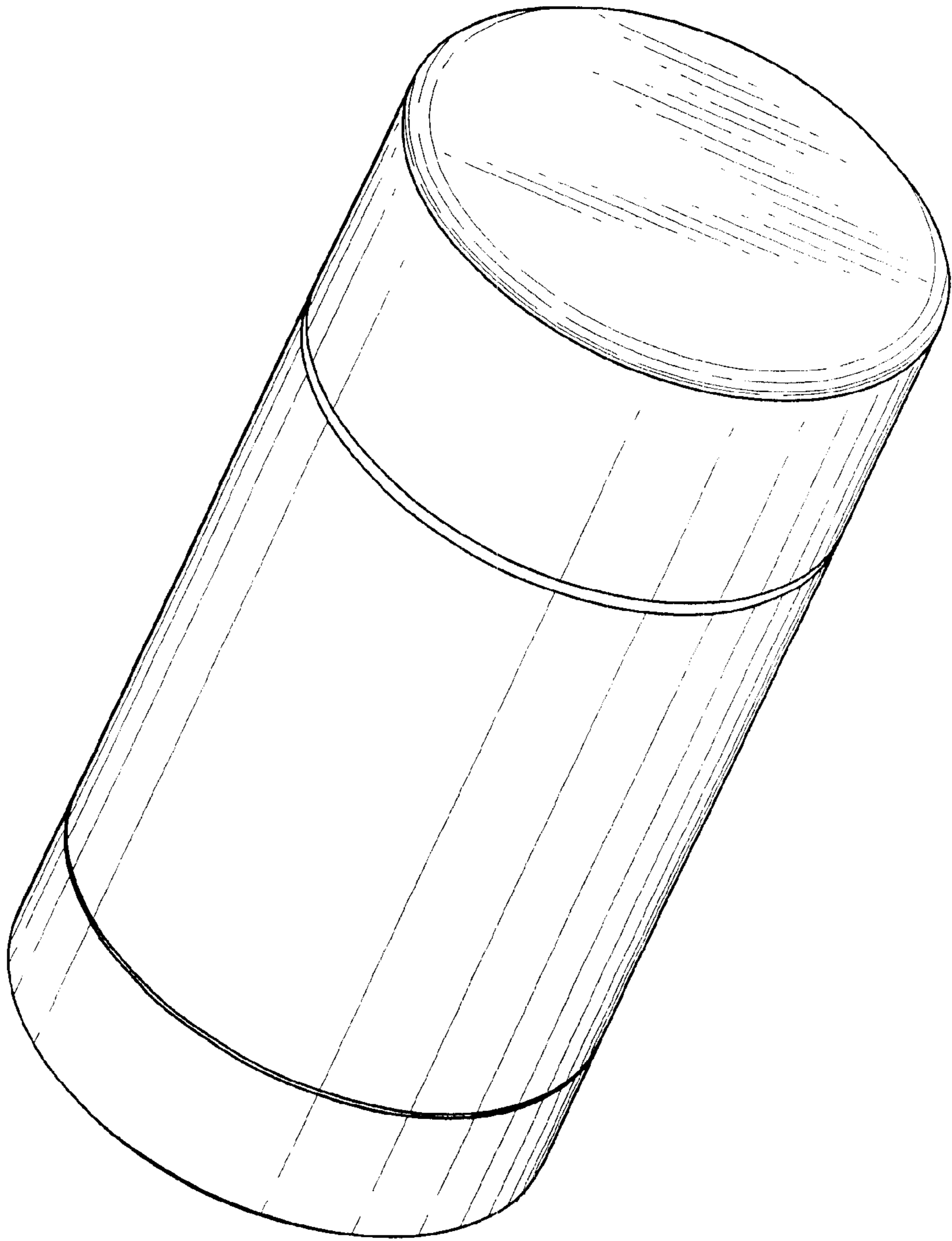


FIG. 1

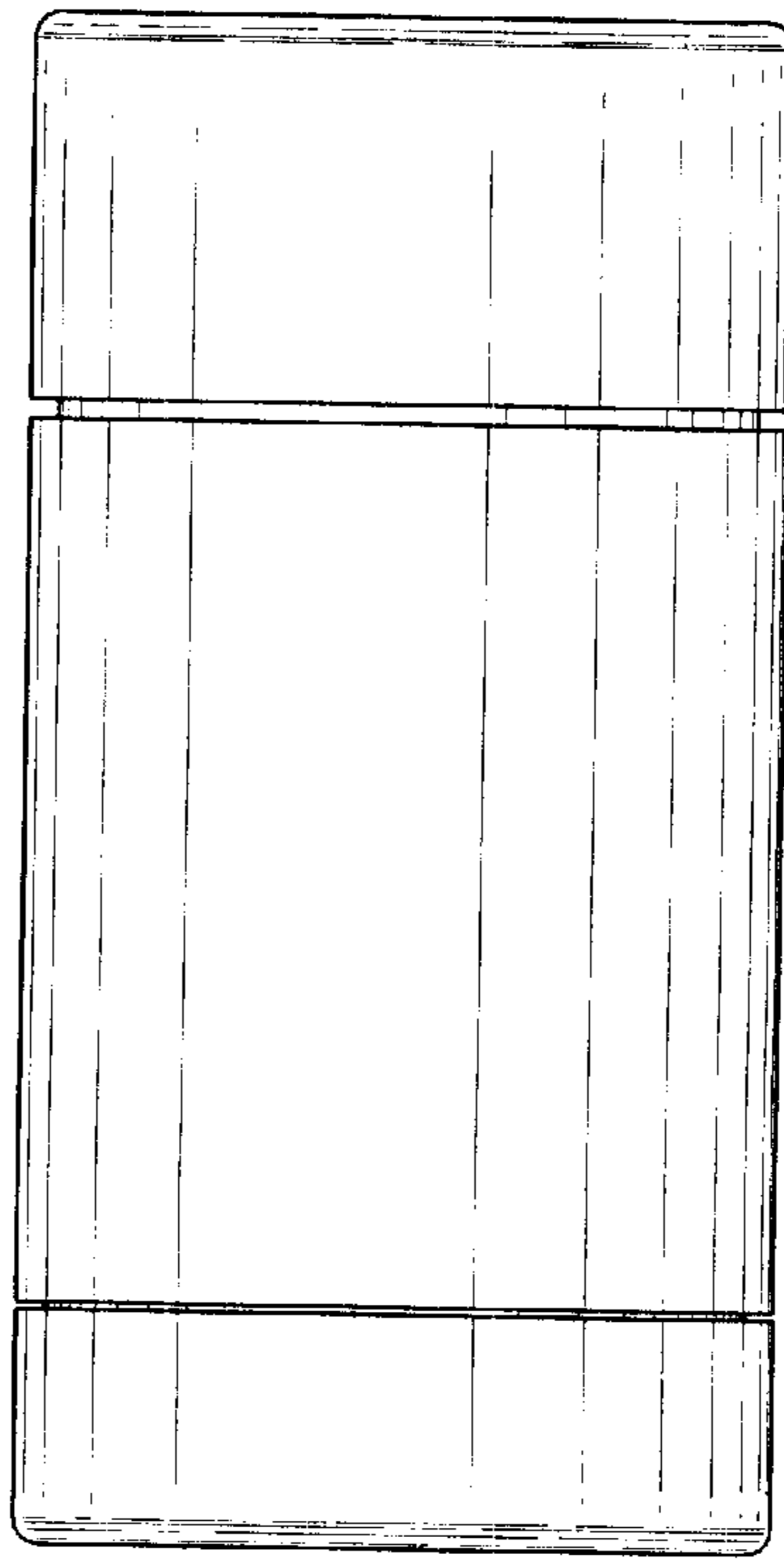


FIG. 2

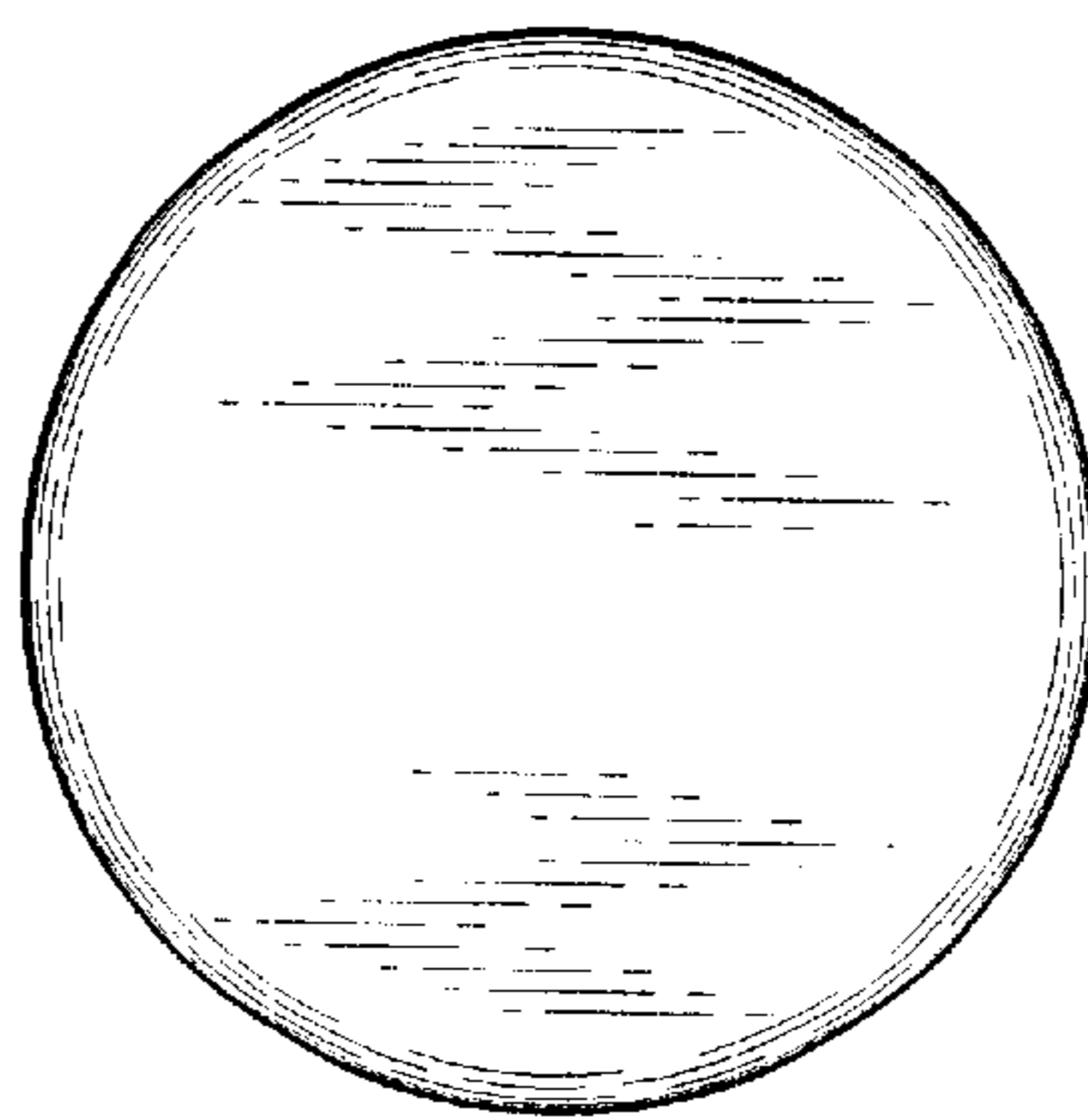


FIG. 3