



US00D466813S

(12) **United States Design Patent**
Thierjung et al.

(10) **Patent No.:** **US D466,813 S**

(45) **Date of Patent:** **** Dec. 10, 2002**

(54) **CONTAINER**

(75) Inventors: **George Thierjung**, Appleton, WI (US);
Darin K. Stubbs, Neenah, WI (US);
Neil Topham, Menasha, WI (US)

(73) Assignee: **Pechiney Emballage Flexible Europe**
(FR)

(**) Term: **14 Years**

(21) Appl. No.: **29/144,368**

(22) Filed: **Jun. 29, 2001**

(51) **LOC (7) Cl.** **09-01**

(52) **U.S. Cl.** **D9/500; D9/538; D9/549;**
D9/516; D9/551

(58) **Field of Search** D9/307, 500, 502,
D9/503, 506, 520, 529-530, 537-543, 549,
551, 552, 557-558, 565, 570, 574-575,
434; 215/6, 10, 381-385, 396, 398, 375;
220/662, 669, 675

(56) **References Cited**

U.S. PATENT DOCUMENTS

5,337,909	A	*	8/1994	Vaillencourt	215/381
5,704,503	A	*	1/1998	Krishnakumar et al.	215/381
D409,091	S	*	5/1999	Beaver et al.	D9/538
5,906,286	A	*	5/1999	Matsuno et al.	215/375
D416,198	S	*	11/1999	Lindsay et al.	D9/520
6,036,037	A	*	3/2000	Scheffer et al.	215/381
D437,555	S	*	2/2001	Di Canio et al.	D9/434
D441,658	S	*	5/2001	Lichtman et al.	D9/538
D442,474	S	*	5/2001	Piccioli et al.	D9/307

D445,693	S	*	7/2001	Rashid	D9/538
D455,351	S	*	4/2002	Bailey	D9/549
D455,964	S	*	4/2002	Patterson	D9/552

* cited by examiner

Primary Examiner—Ted Shooman

Assistant Examiner—Carol Rademaker

(74) *Attorney, Agent, or Firm*—McDermott, Will & Emery

(57) **CLAIM**

The ornamental design for a container, as shown and described.

DESCRIPTION

FIG. 1 is a perspective view of the design of the present invention;

FIG. 2 is a front elevational view of the design depicted in FIG. 1, shown at a reduced scale, the rear elevational view being identical.

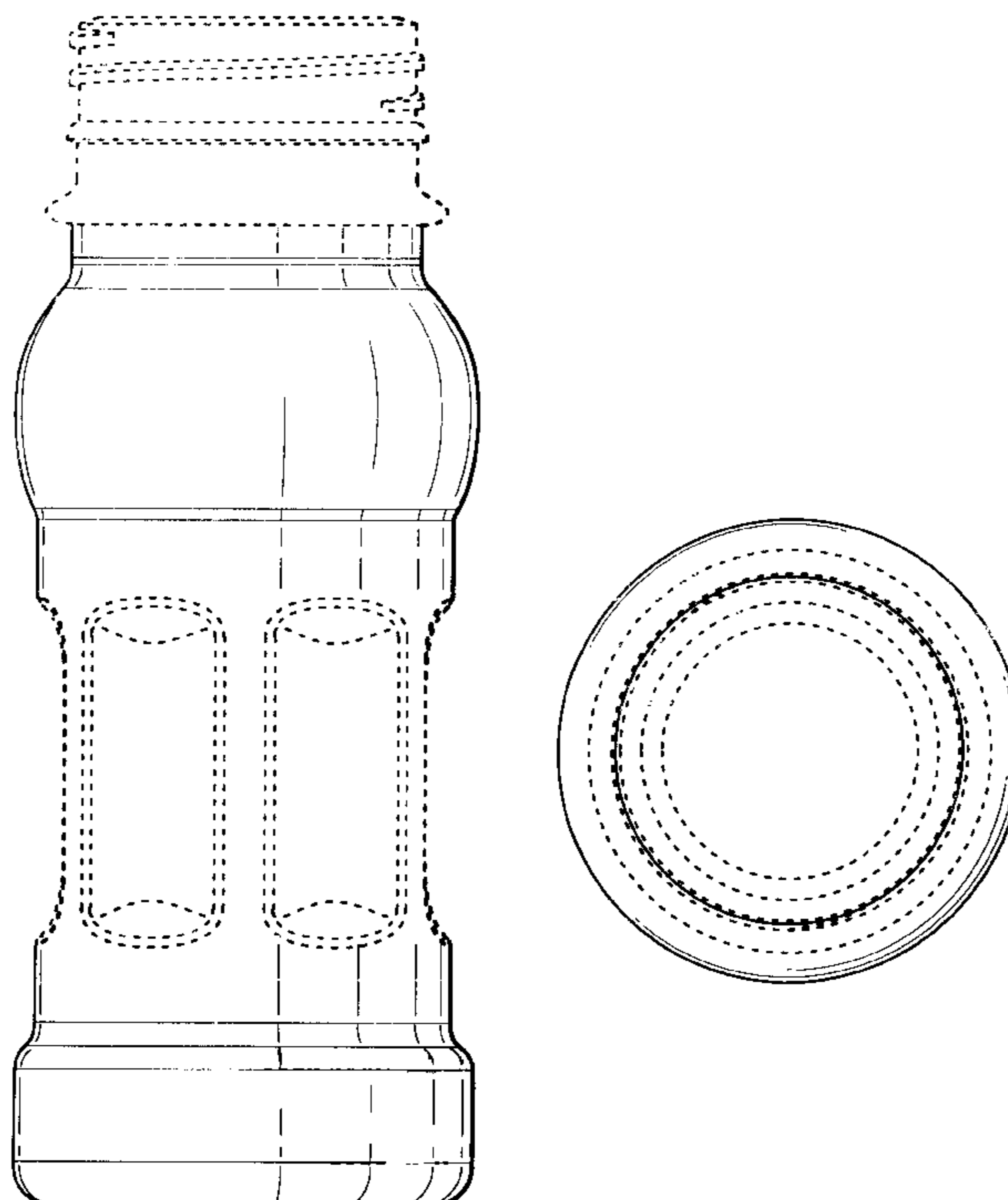
FIG. 3 is a right-side elevational view of the design depicted in FIG. 1, shown at a reduced scale, the left-side elevational view being identical.

FIG. 4 is a top plan view of the design depicted in FIG. 1, shown at a reduced scale; and,

FIG. 5 is a bottom plan view of the design depicted in FIG. 1, shown at a reduced scale.

Those portions of the present invention which are presented in phantom illustrate the environment of the design only and form no part of the claimed design. Moreover, the shading presented in the accompanying drawings is provided merely to highlight the contour of the invention and is not intended to be illustrative of texture or gloss.

1 Claim, 3 Drawing Sheets



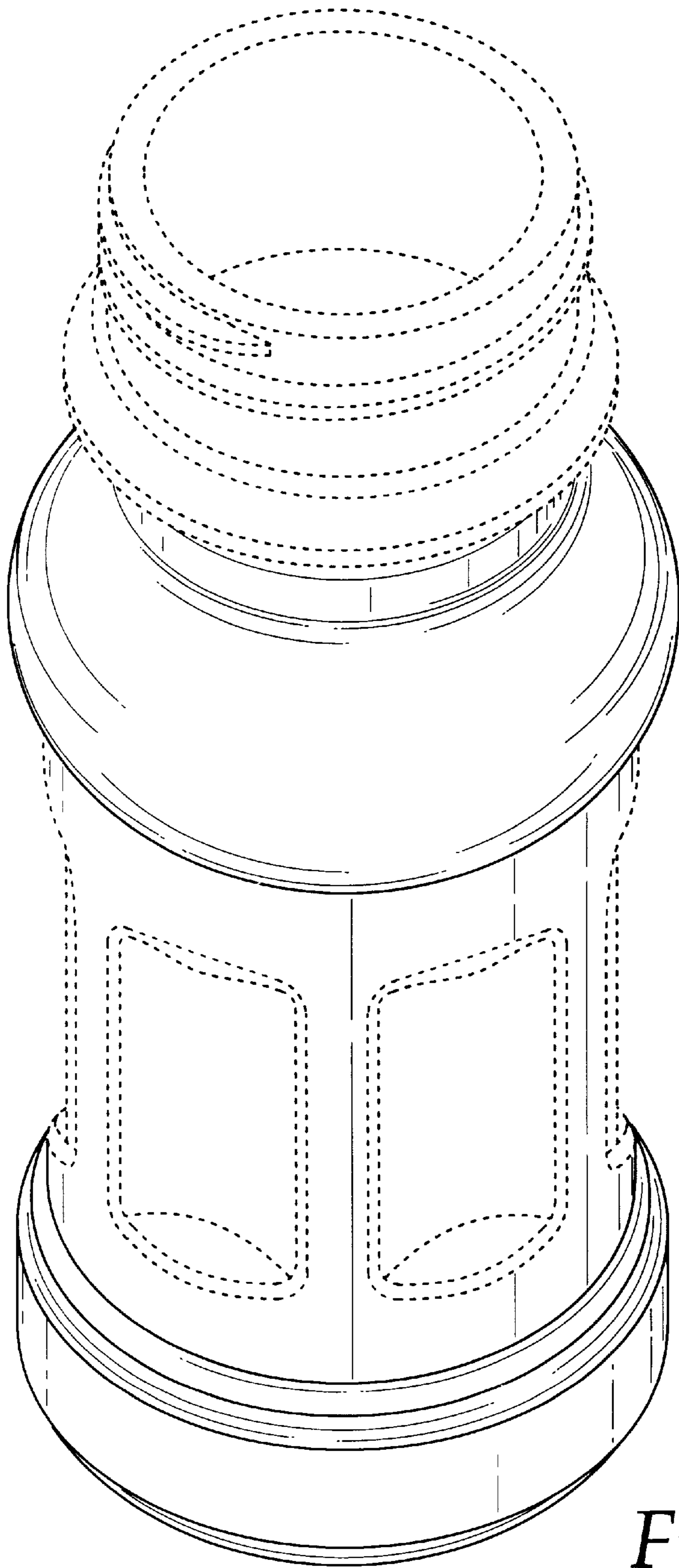


Fig. 1

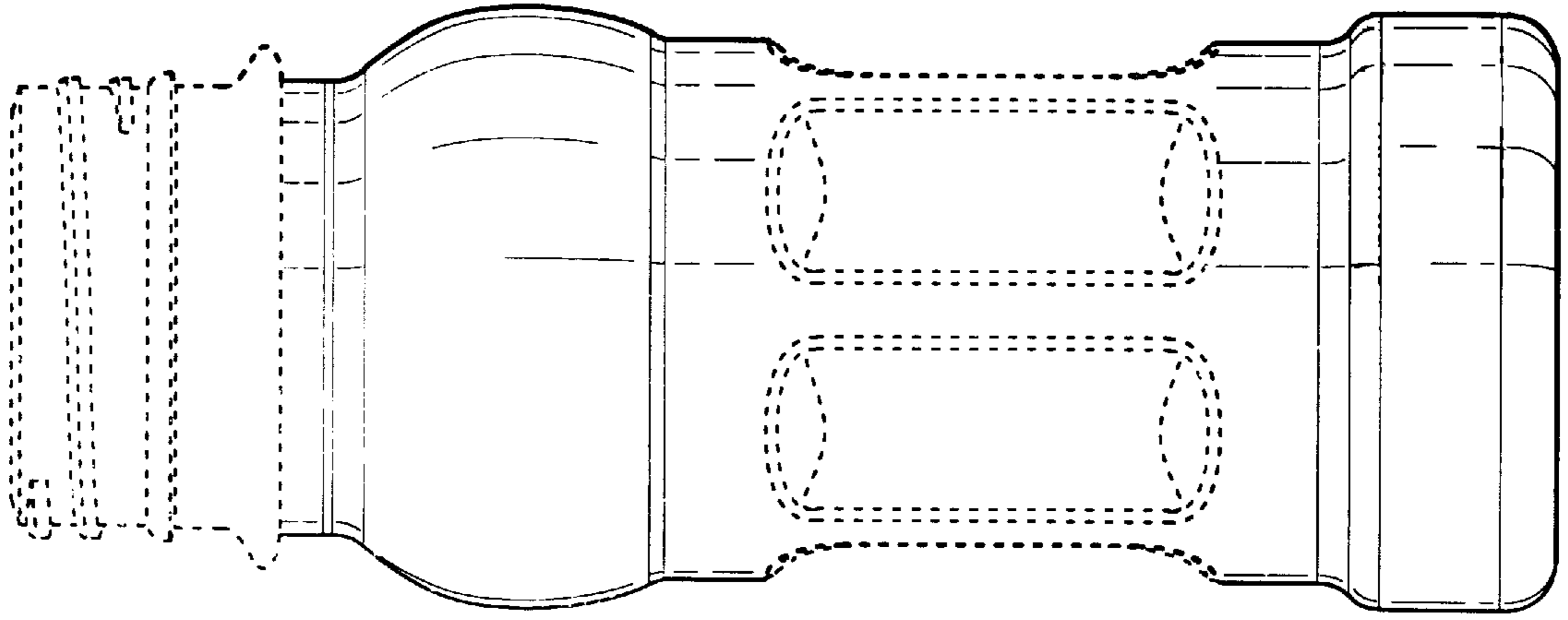


Fig. 2

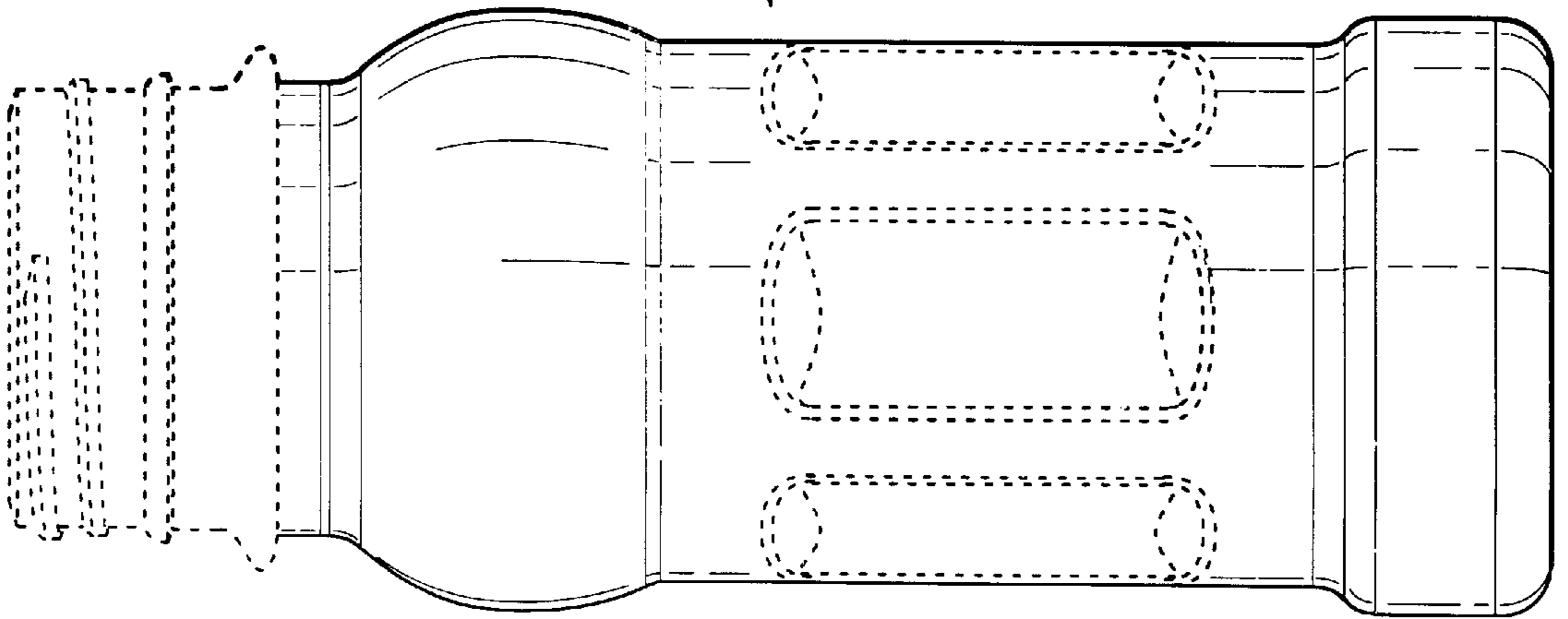


Fig. 3

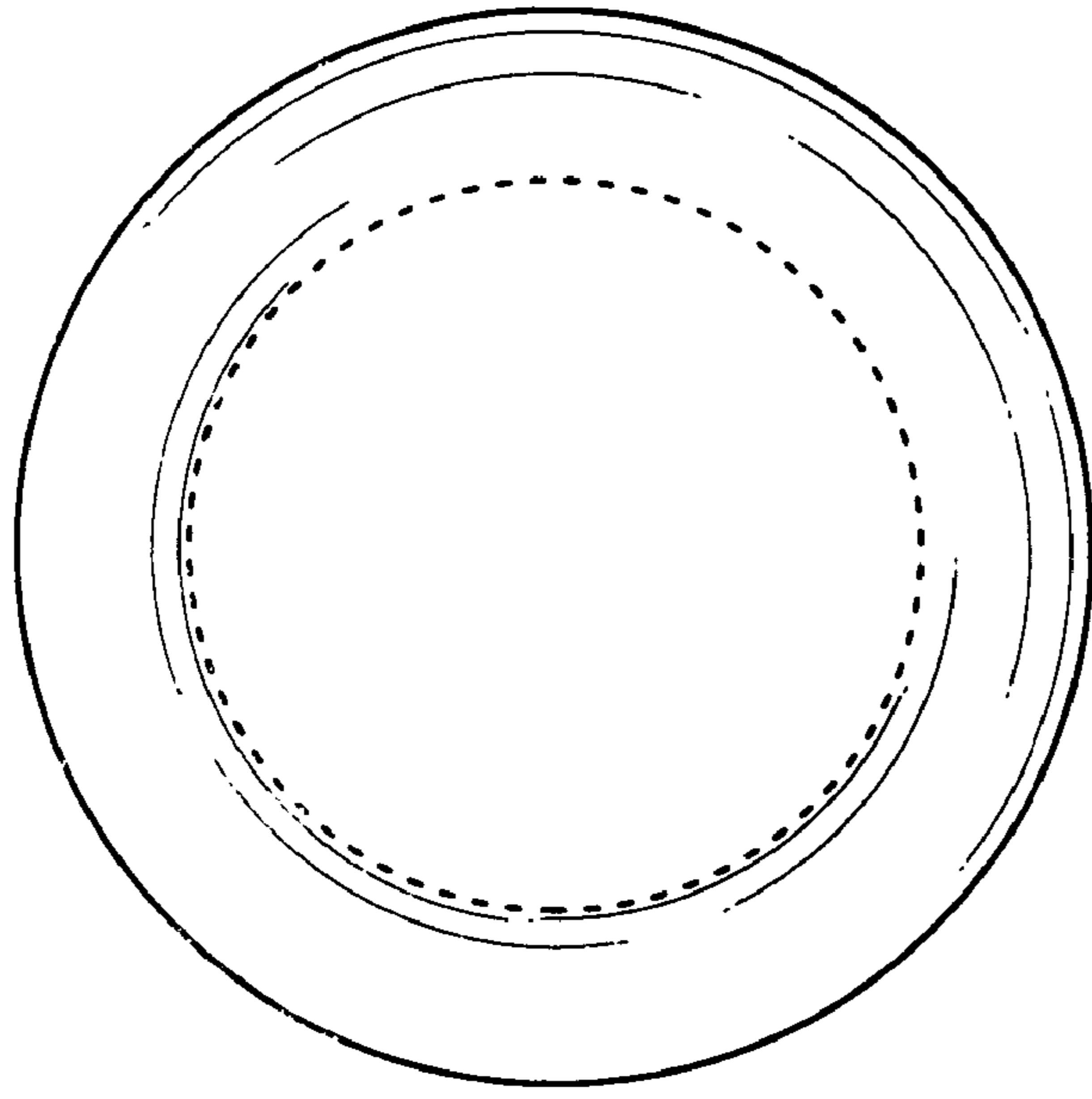


Fig. 5

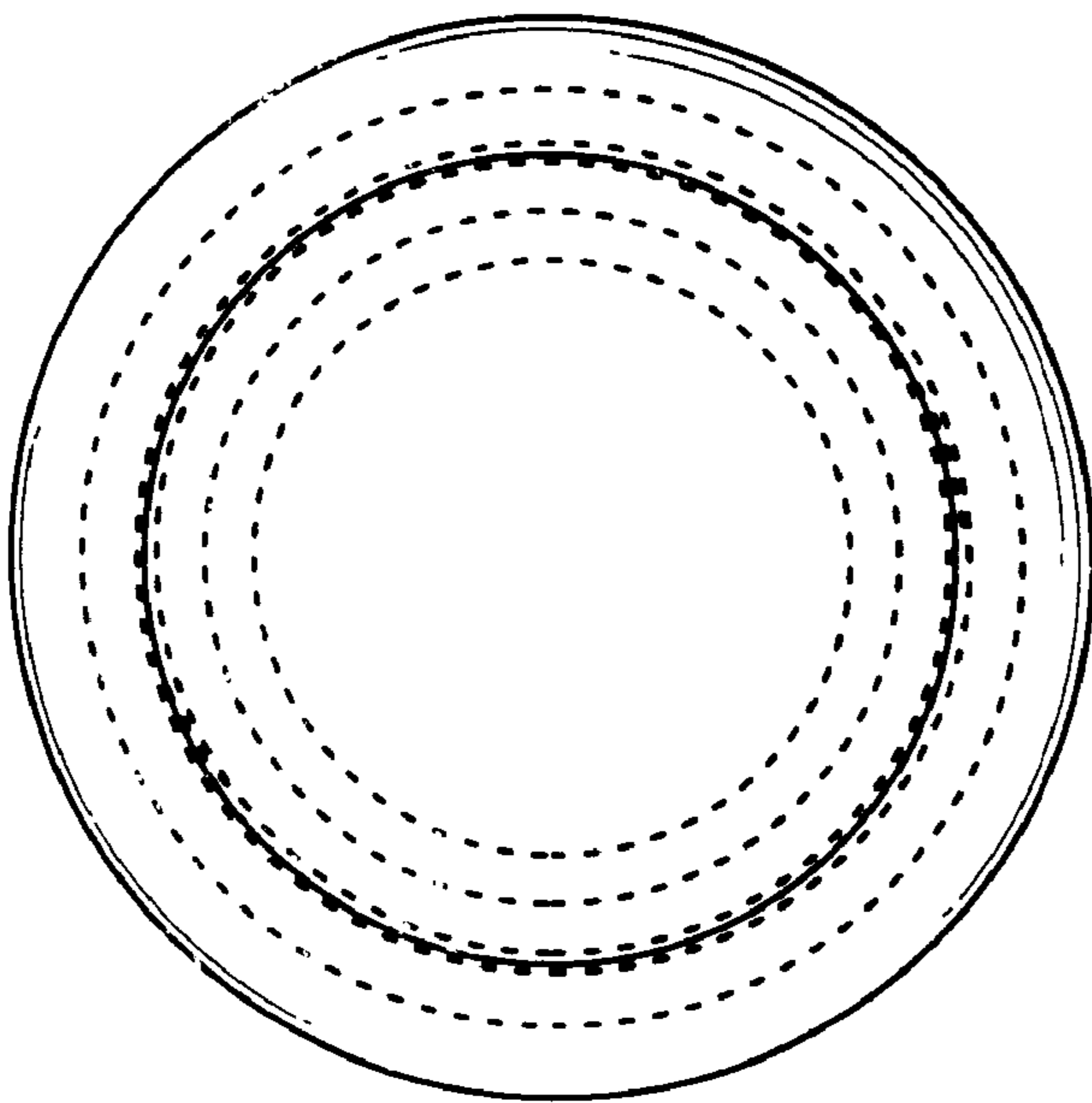


Fig. 4