



US00D466808S

(12) **United States Design Patent**  
**Liu et al.**

(10) **Patent No.:** **US D466,808 S**

(45) **Date of Patent:** **\*\* Dec. 10, 2002**

(54) **CONTAINER**

(76) Inventors: **Jen-Hsien Liu**, 133-36 Blossom Ave.,  
Flushing, NY (US) 11355; **Biing Rong**  
**Hsiu**, 7F-3 No. 151 Wuchuan 5th  
Street, West District, Taichung City  
(TW)

(\*\*) Term: **14 Years**

(21) Appl. No.: **29/142,966**

(22) Filed: **Jun. 5, 2001**

(51) **LOC (7) Cl.** ..... **09-03**

(52) **U.S. Cl.** ..... **D9/425; D9/432**

(58) **Field of Search** ..... D9/420-426, 432,  
D9/414, 337; D7/629, 601; D3/273, 294;  
206/216, 508, 518, 521.1, 541; 229/406,  
407, 87.08, 902, 904, 938; 220/674, 675,  
556, 780, 796; 426/106

(56) **References Cited**

**U.S. PATENT DOCUMENTS**

3,128,933 A *	4/1964	Hohnjec .....	229/406
4,079,880 A *	3/1978	Edwards .....	229/406
4,124,141 A	11/1978	Armentrout et al.	
4,132,344 A *	1/1979	Jewell .....	229/406
4,235,338 A *	11/1980	Dugan et al. ....	206/508
4,360,118 A	11/1982	Stern	
4,466,552 A	8/1984	Butterworth et al.	
4,555,043 A	11/1985	Bernhardt	
4,807,776 A *	2/1989	Cortopassi .....	220/528
4,844,263 A	7/1989	Hadtke	
D305,409 S *	1/1990	Michaud et al. ....	D9/425
4,951,866 A *	8/1990	Rusnak .....	426/120
D315,100 S *	3/1991	Sheehan .....	D9/424

5,356,026 A	10/1994	Andress et al.	
5,377,860 A *	1/1995	Littlejohn et al. ....	220/790
5,395,003 A	3/1995	Matsuda	
5,542,234 A	8/1996	Wyslowsky et al.	
5,553,701 A	9/1996	Jarecki et al.	
D382,795 S *	8/1997	Abyhan et al. ....	D9/425
5,666,875 A	9/1997	Wener	
5,758,791 A	6/1998	Mangla	
5,833,116 A	11/1998	Guillin	
D409,485 S *	5/1999	Christy, Jr. ....	D9/425
5,906,292 A *	5/1999	Rider, Jr. ....	220/556
D415,420 S	10/1999	Chen	
6,056,138 A	5/2000	Chen	
6,196,404 B1	3/2001	Chen	

\* cited by examiner

*Primary Examiner*—Prabhakar Deshmukh  
(74) *Attorney, Agent, or Firm*—R. Neil Sudol; Henry D. Coleman; William J. Sapone

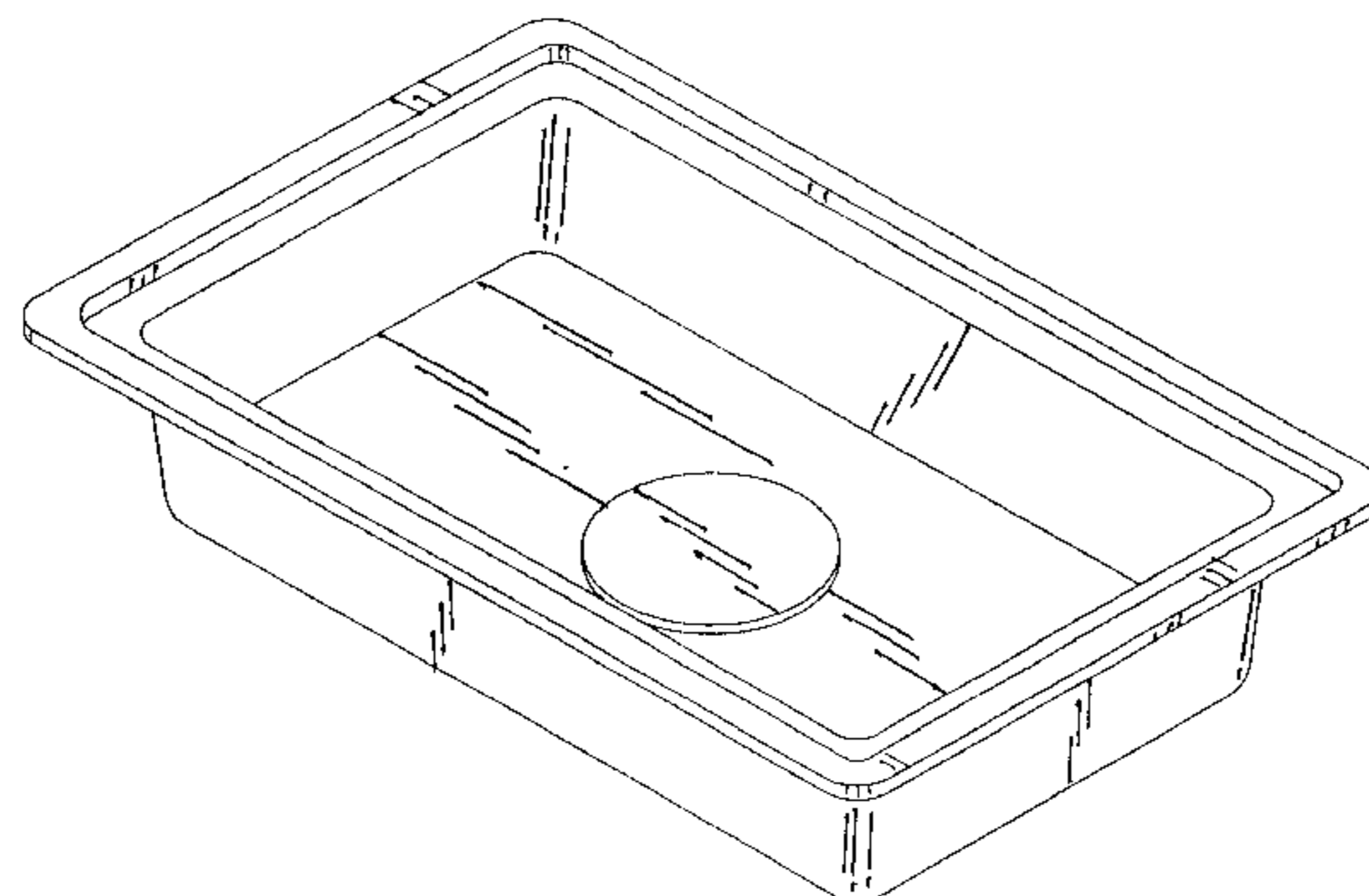
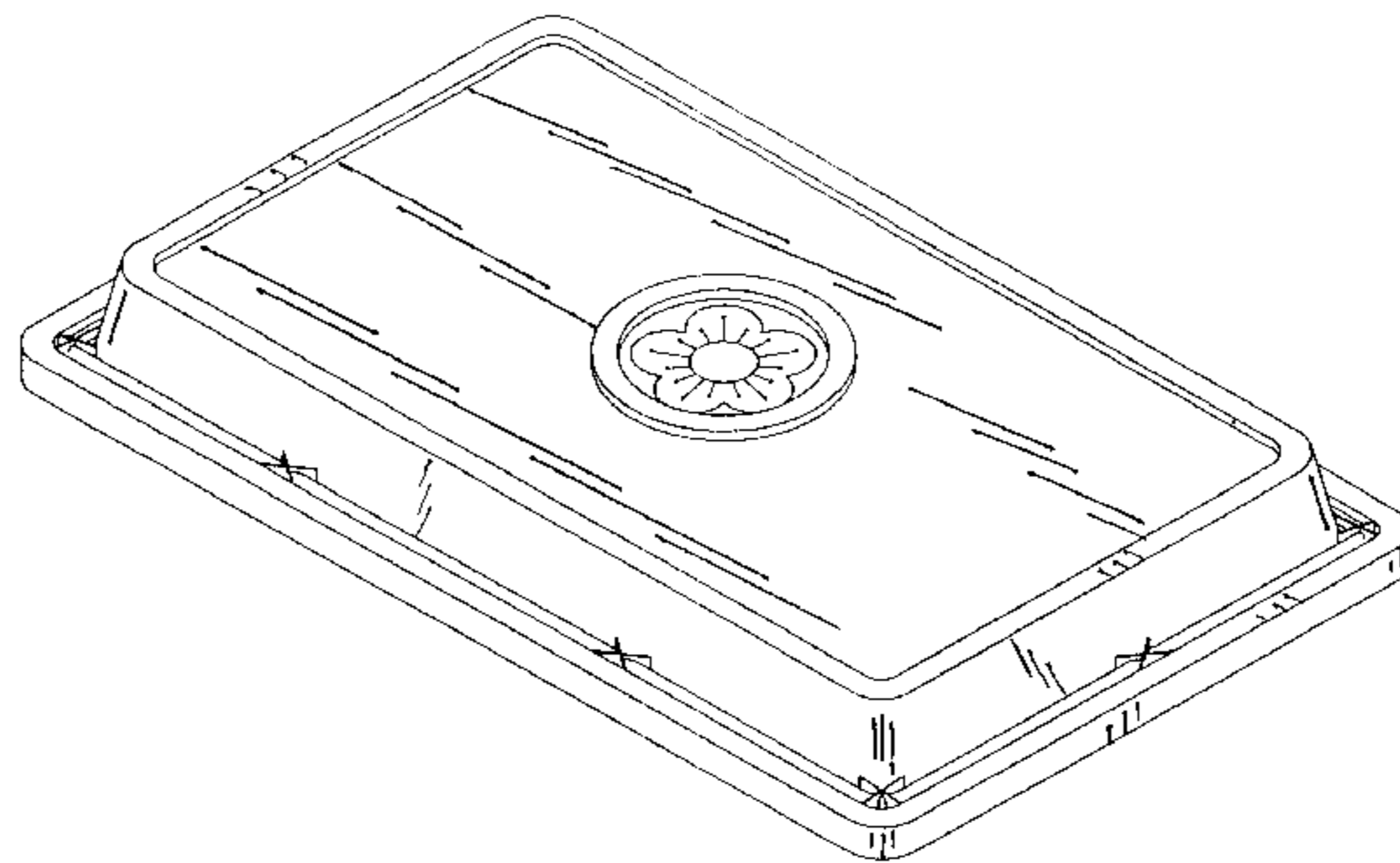
(57) **CLAIM**

The ornamental design for container, as shown and described.

**DESCRIPTION**

FIG 1 is a top, front and right side perspective view of another container, showing our new design;  
FIG. 2 is a exploded top, front and right side perspective view thereof;  
FIG. 3 is a top plan view thereof;  
FIG. 4 is a front elevational view thereof, a rear elevational view being identical to the front elevational view;  
FIG. 5 is a left side elevational view thereof, the right side elevational view being identical to the left side view; and,  
FIG. 6 is a bottom plan view thereof.

**1 Claim, 3 Drawing Sheets**



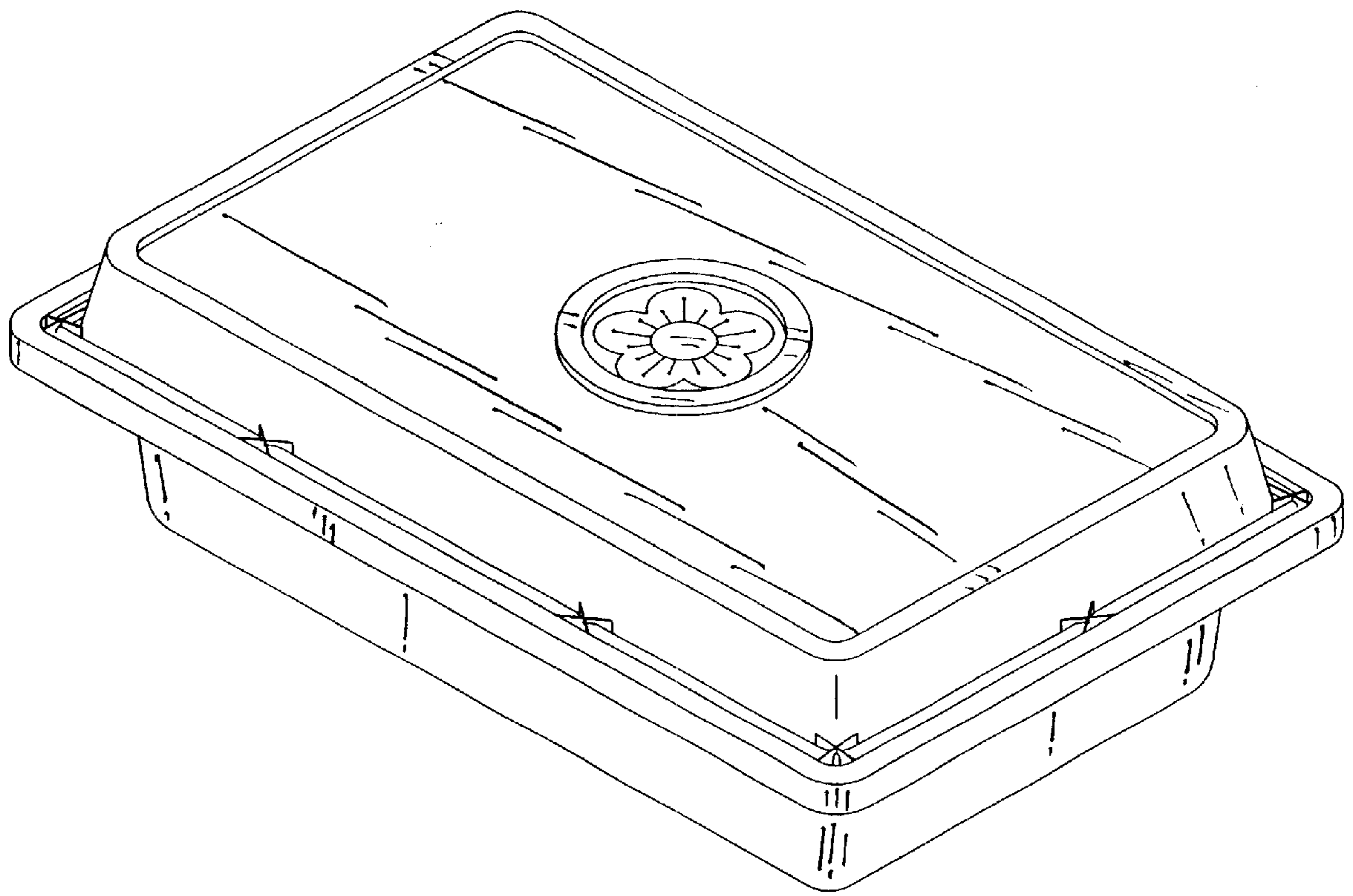


FIGURE 1

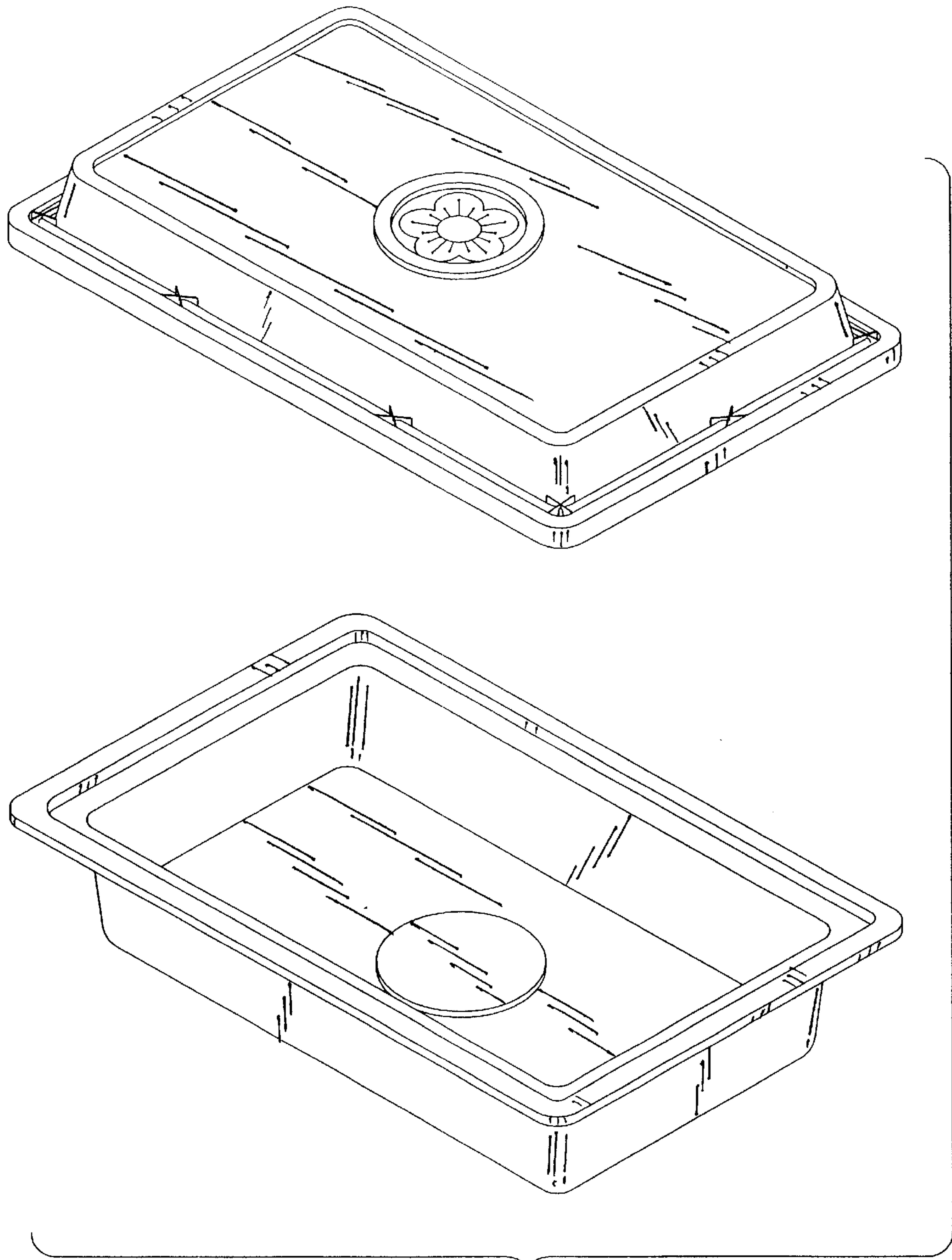


FIGURE 2



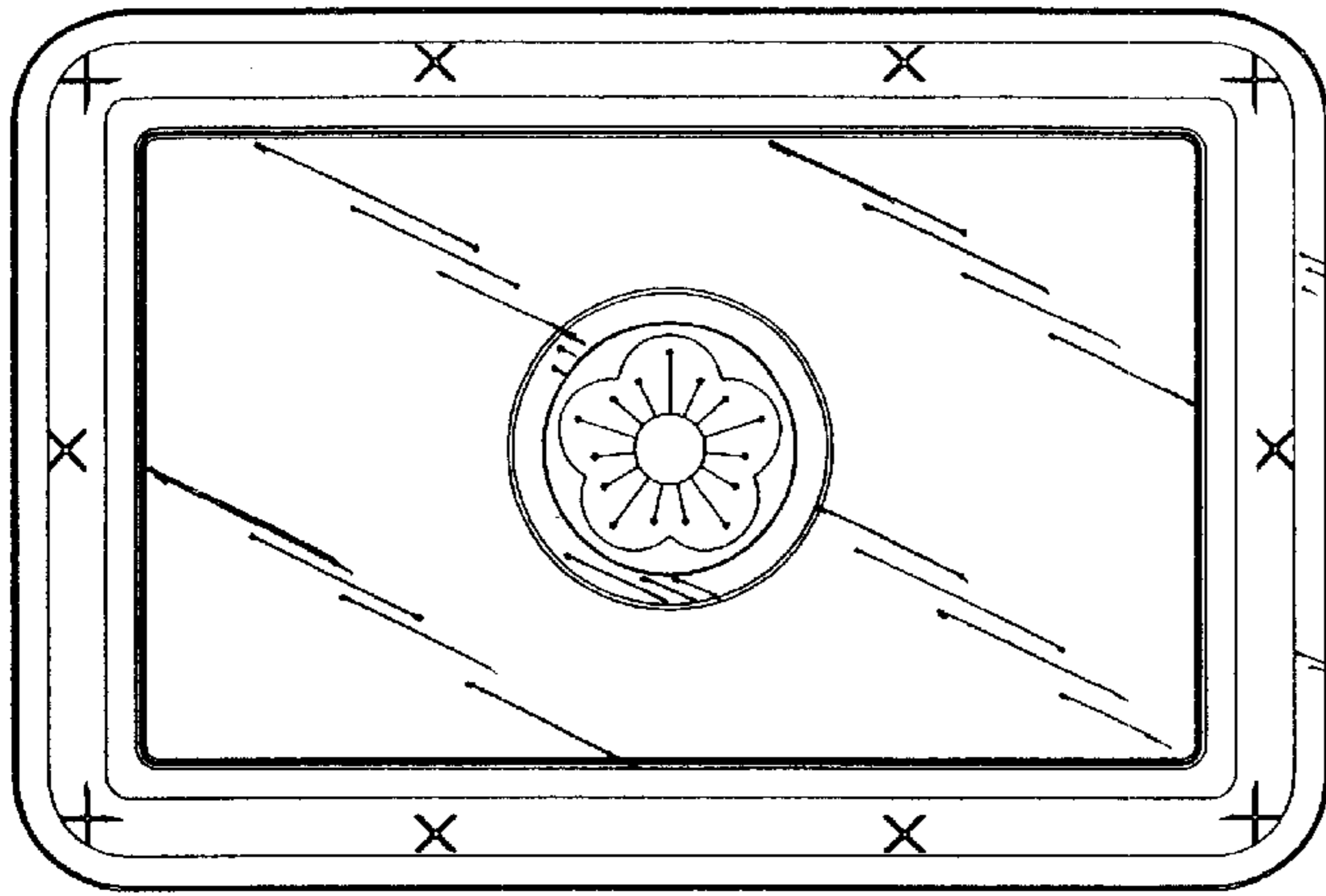


FIGURE 3

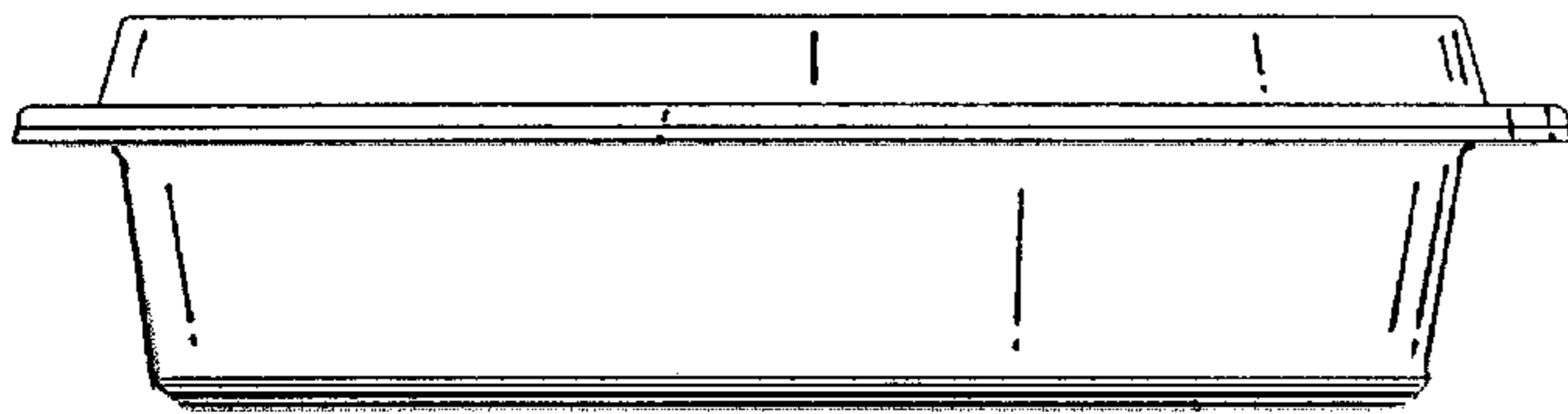


FIGURE 4

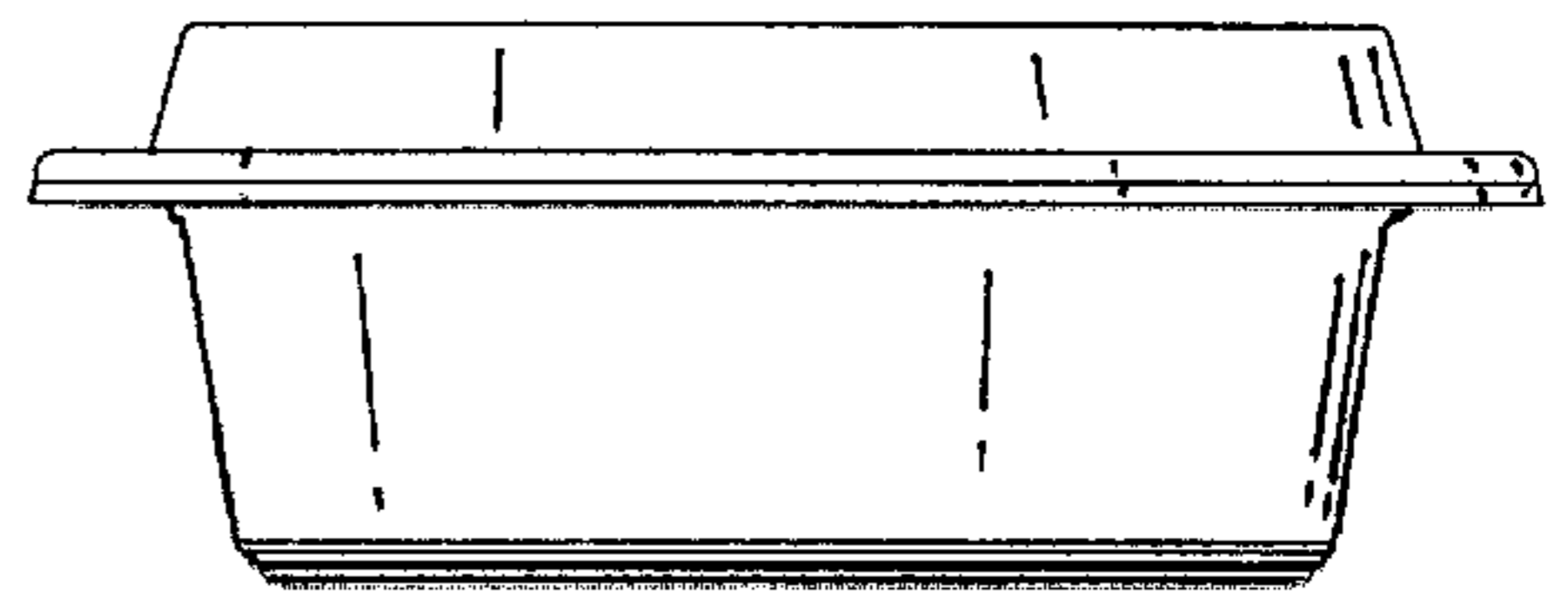


FIGURE 5

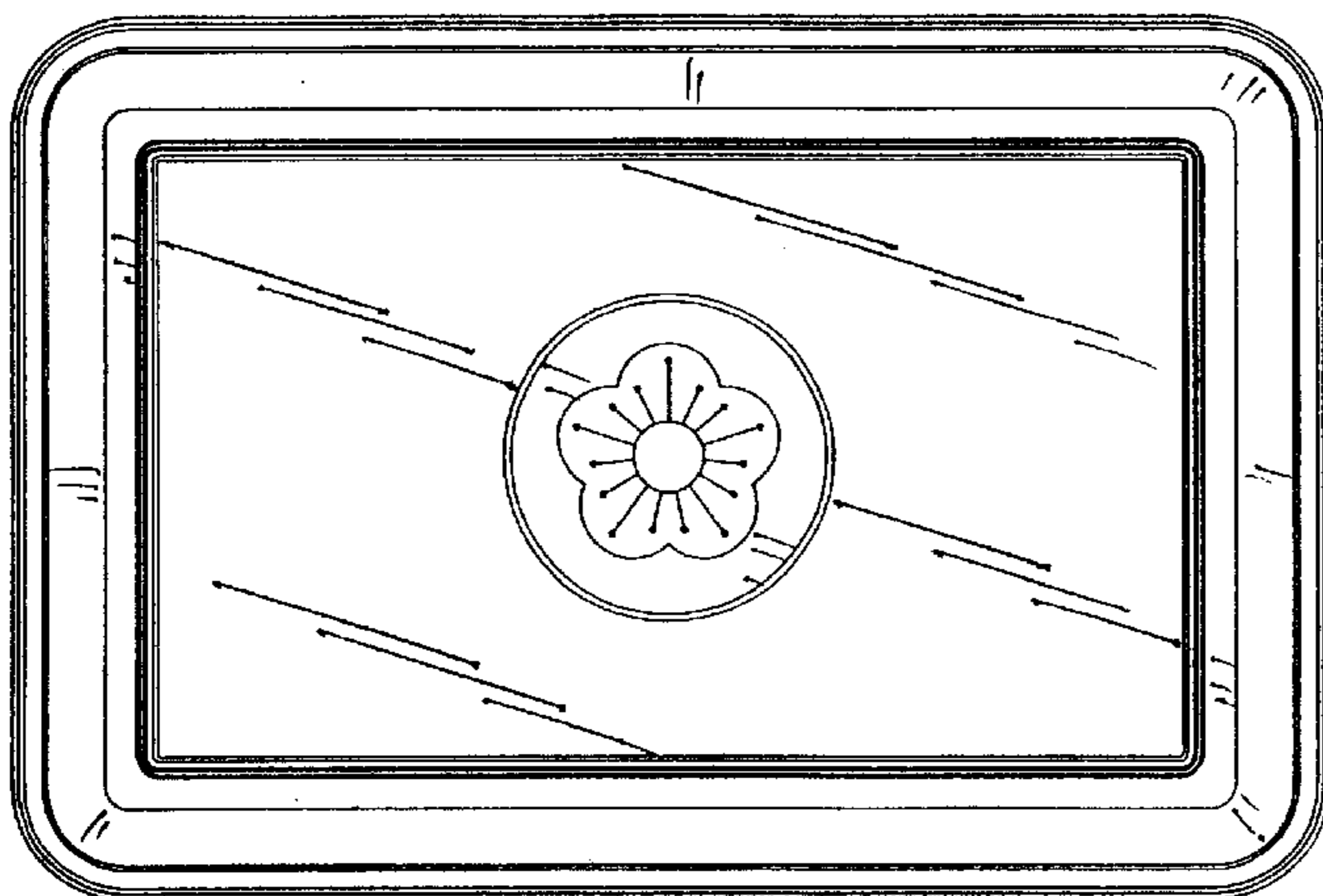


FIGURE 6