



US00D466799S

(12) **United States Design Patent**
Suero, Jr.

(10) **Patent No.:** **US D466,799 S**

(45) **Date of Patent:** **** Dec. 10, 2002**

(54) **CURTAIN ROD WITH HOOKS**

(75) **Inventor:** **Jose Suero, Jr., Newark, DE (US)**

(73) **Assignee:** **Zenith Products Corp., New Castle, DE (US)**

(**) **Term:** **14 Years**

(21) **Appl. No.:** **29/157,216**

(22) **Filed:** **Mar. 13, 2002**

(51) **LOC (7) Cl.** **08-05**

(52) **U.S. Cl.** **D8/376**

(58) **Field of Search** D8/376, 377, 363,
D8/368, 367, 372; D6/549, 546, 513, 566;
4/610; 211/105.1, 105.3; 248/264, 268,
262, 301-304, 251, 265, 215, 214, 339;
16/87.4 R, 87.2, 87 R, 95 D, 96 D; 160/330,
902, 178.1 R, 38, 19, 39

(56) **References Cited**

U.S. PATENT DOCUMENTS

D181,834 S * 1/1958 Brenner D8/377
D253,276 S * 10/1979 Levine D8/367

4,385,409 A * 5/1983 File et al. 4/610
D415,014 S * 10/1999 Bruton D8/376
D439,141 S * 3/2001 Ho D8/367

* cited by examiner

Primary Examiner—Pamela Burgess

(74) *Attorney, Agent, or Firm*—Edgar A. Zarins; Lloyd D. Doigan

(57) **CLAIM**

The ornamental design for a curtain rod with hooks, as shown and described.

DESCRIPTION

FIG. 1 is a perspective view of a curtain rod with hooks showing my new design;

FIG. 2 is a side cross-sectional view thereof taken along lines 2—2 of FIG. 1;

FIG. 3 is a rear view thereof;

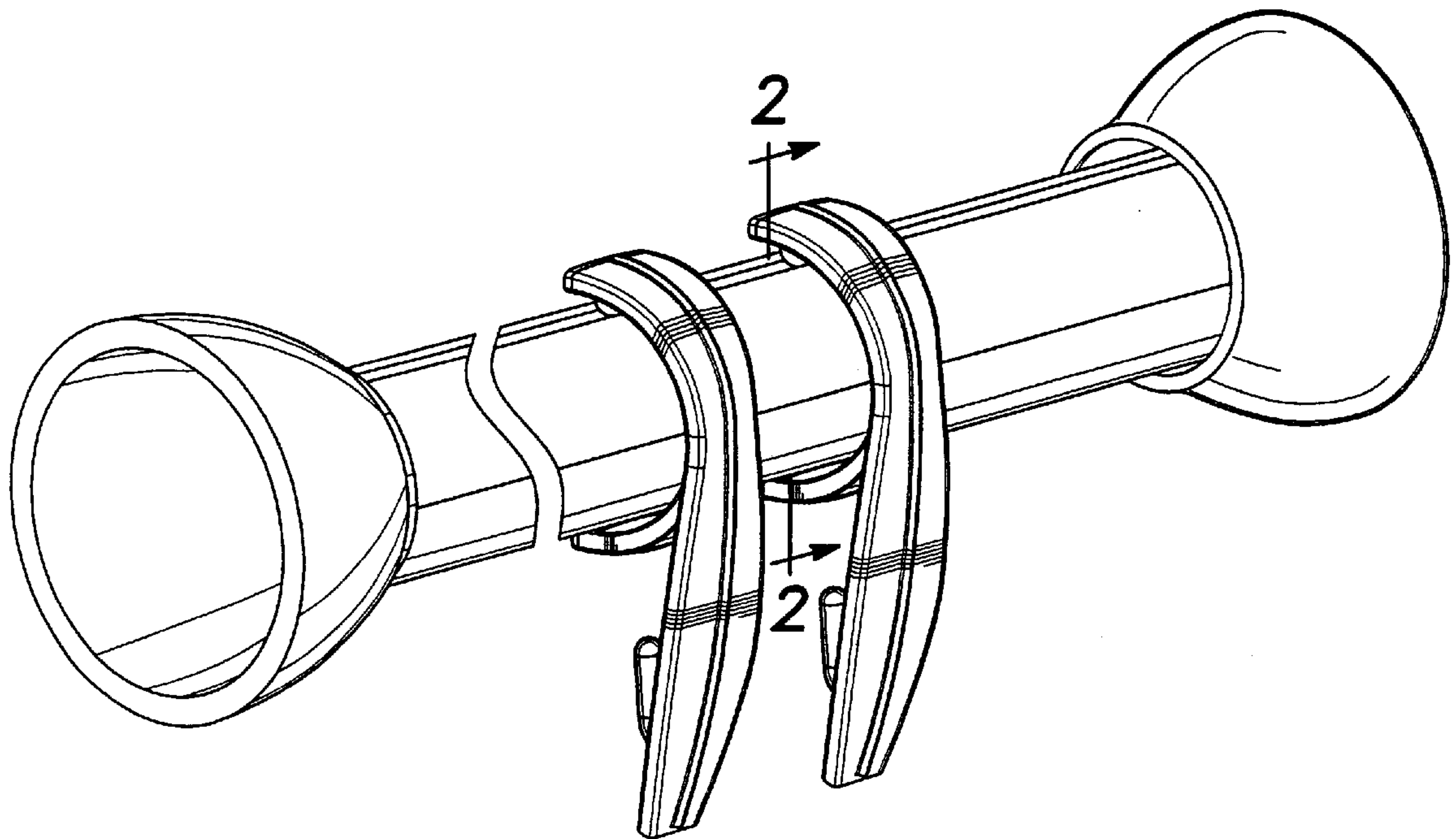
FIG. 4 is a front view thereof;

FIG. 5 is a top plan view thereof; and,

FIG. 6 is a bottom plan view thereof.

The curtain rod is shown broken away in FIGS. 1, 3, 4, 5 and 6, to indicate indeterminate length.

1 Claim, 3 Drawing Sheets



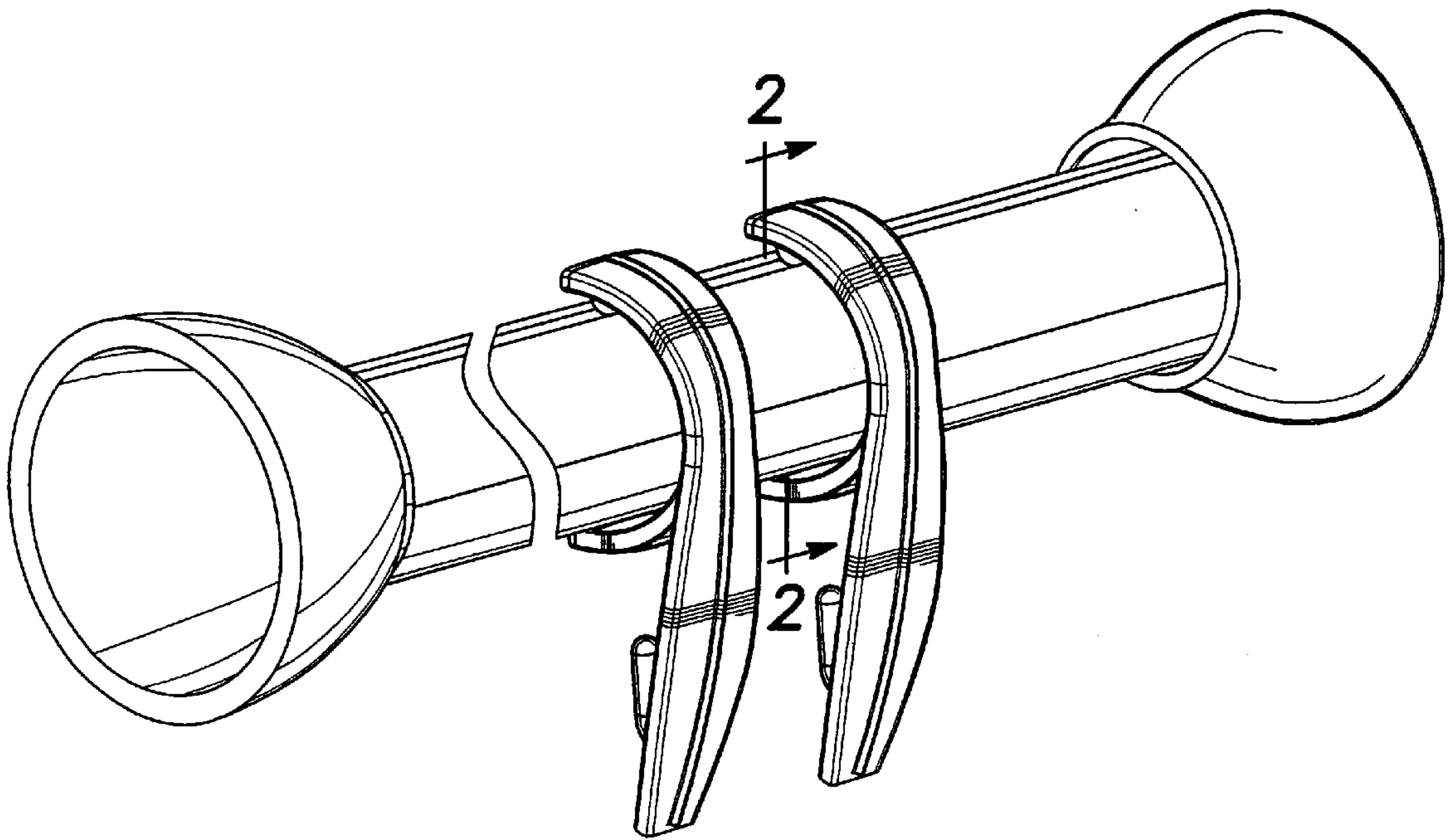


Fig-1

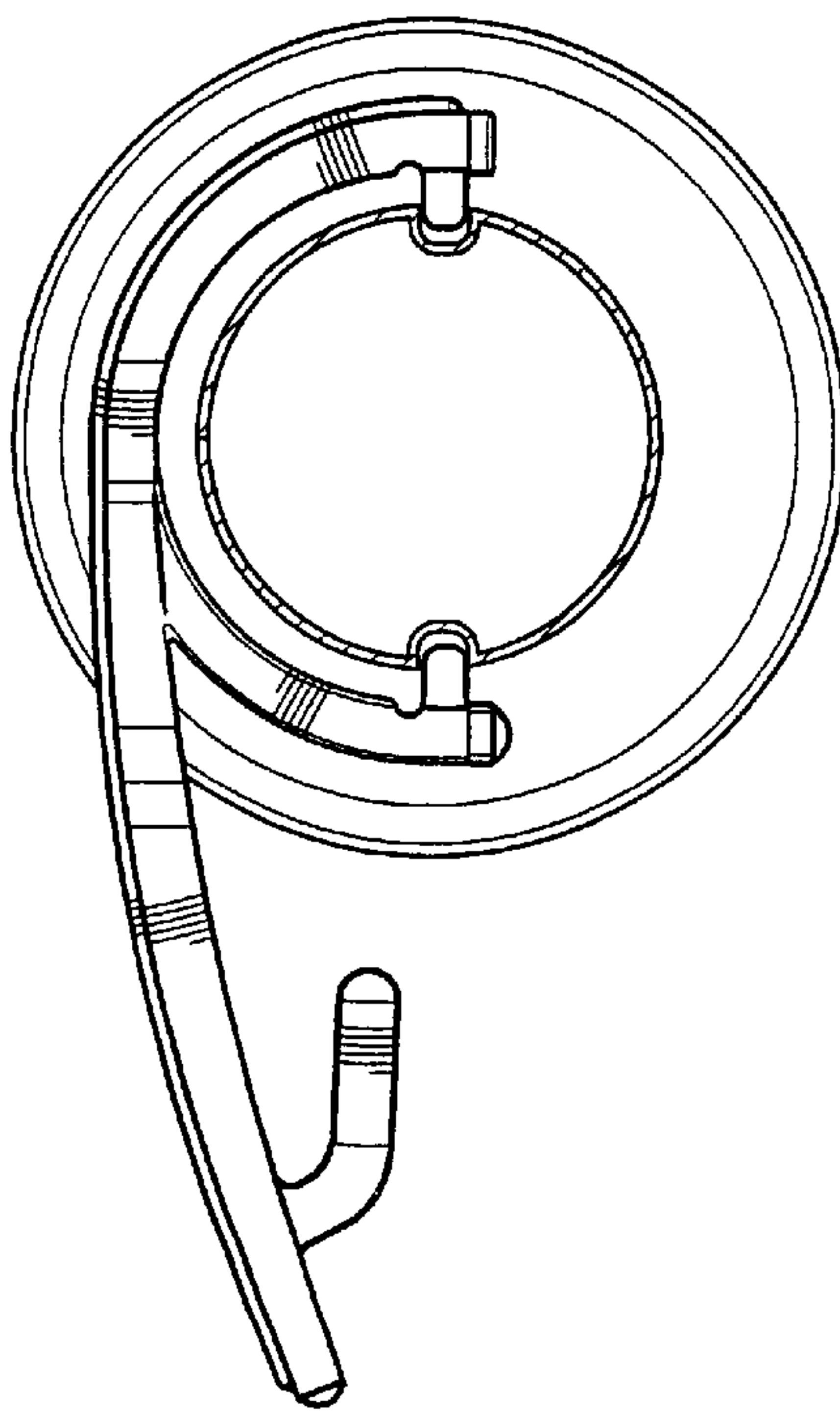
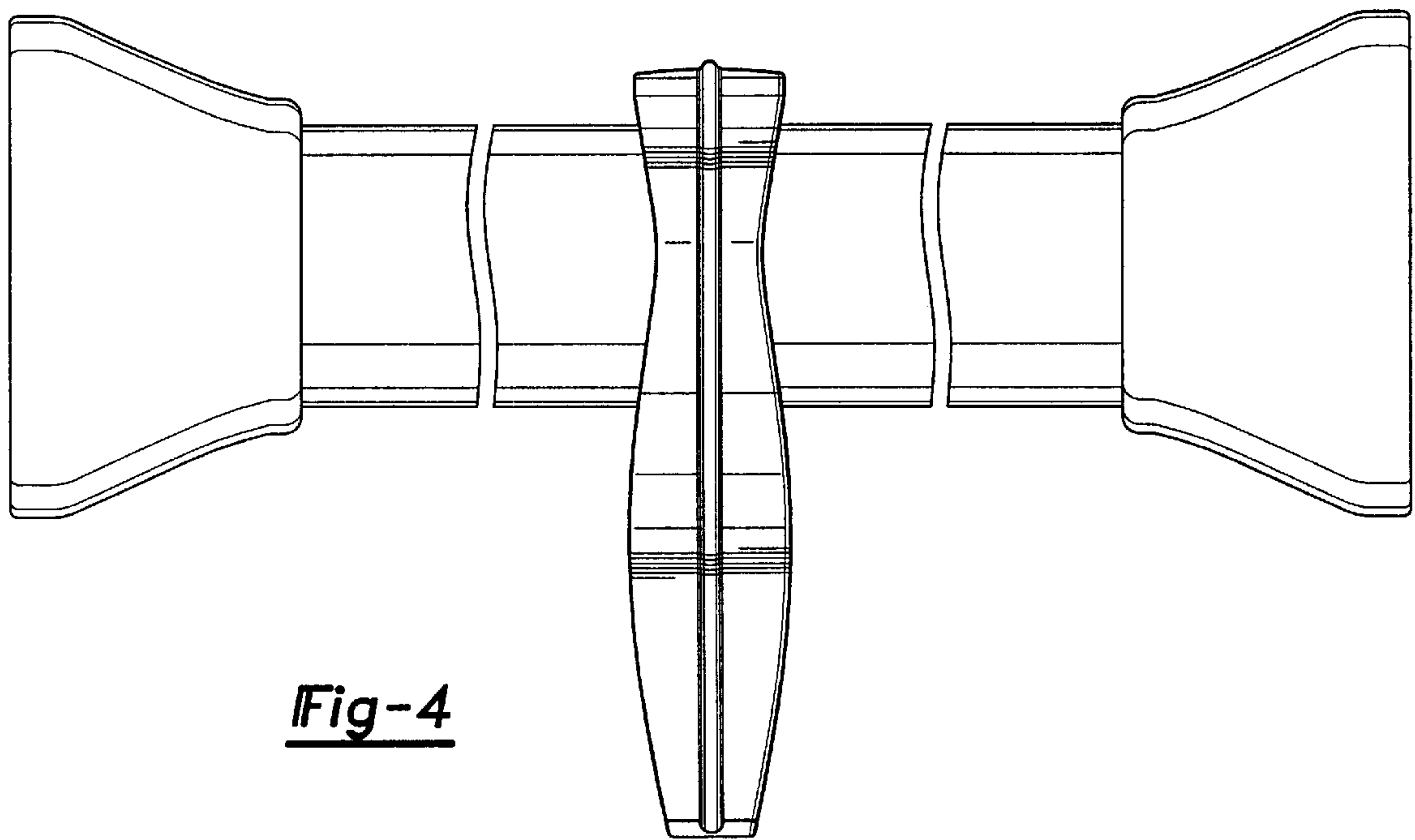
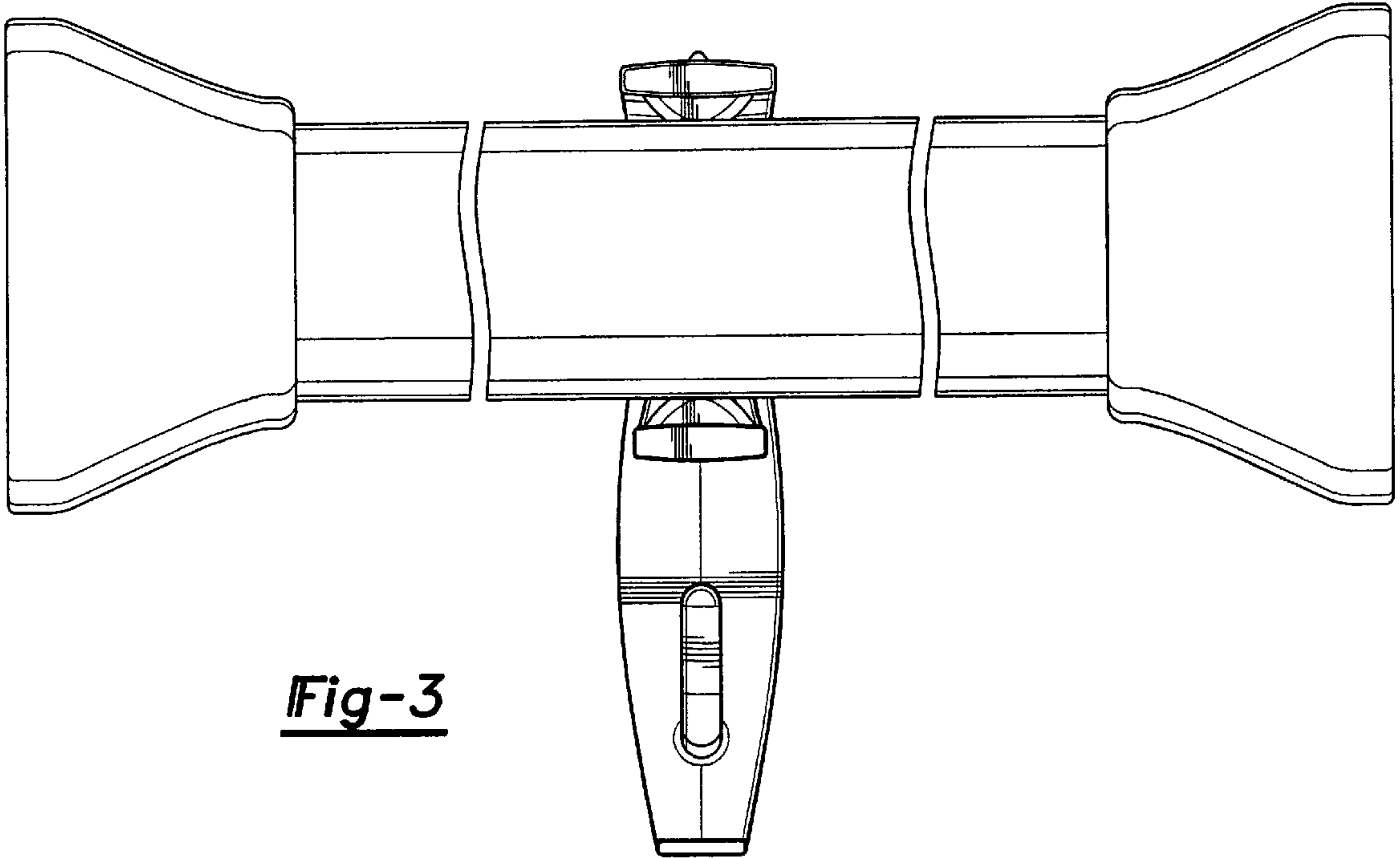


Fig-2



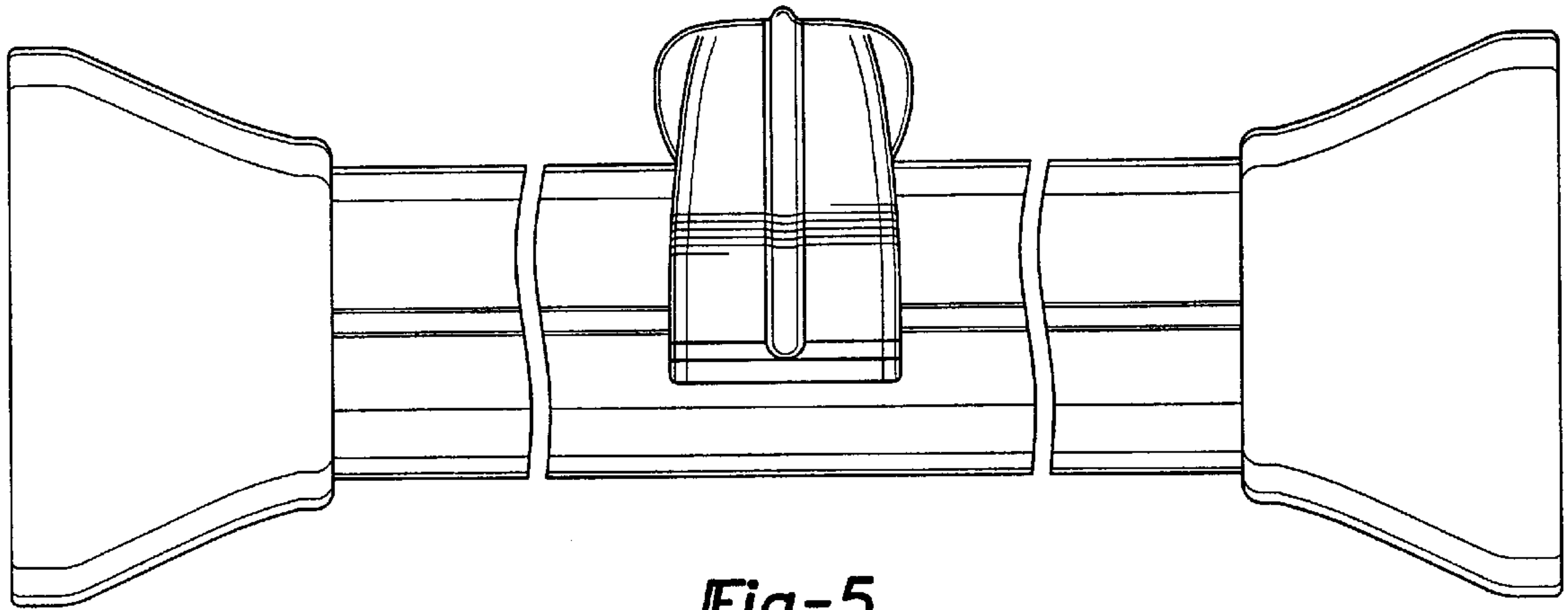


Fig-5

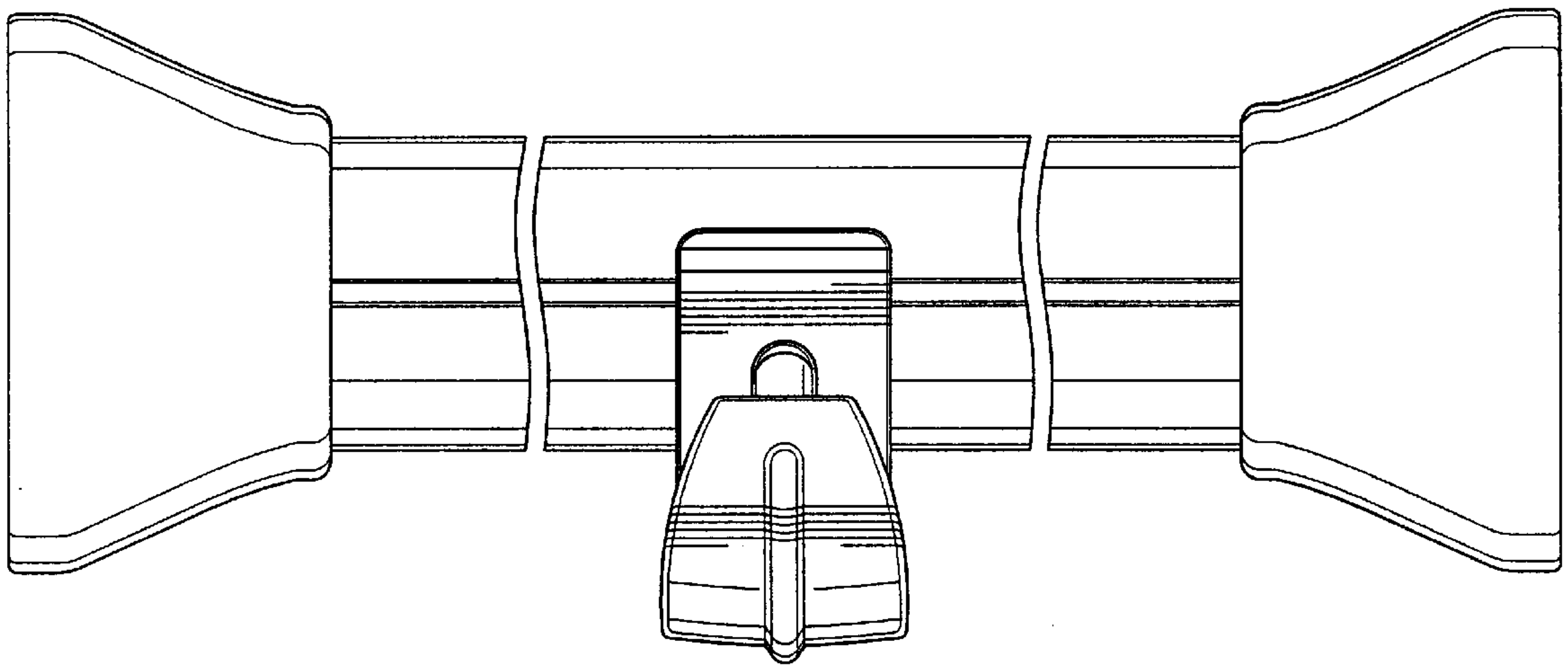


Fig-6