



US00D466793S

(12) **United States Design Patent**
Kelleghan

(10) **Patent No.:** **US D466,793 S**

(45) **Date of Patent:** **** Dec. 10, 2002**

(54) **WIDE ANGLE STAR SHAPED CARABINER**

(75) **Inventor:** **Brian James Kelleghan**, Longmont, CO (US)

(73) **Assignee:** **Bison Designs, LLC**, Longmont, CO (US)

(**) **Term:** **14 Years**

(21) **Appl. No.:** **29/158,809**

(22) **Filed:** **Apr. 10, 2002**

(51) **LOC (7) Cl.** **08-05**

(52) **U.S. Cl.** **D8/356**

(58) **Field of Search** D8/333, 356, 367, D8/370, 382; D11/48, 99; 24/115 R, 582.13, 583.1, 583.11, 587.1, 588.11, 594.11, 598.1, 598.2, 599.1, 599.2, 599.5, 599.6, 599.7, 599.8, 599.9, 600.1, 600.3, 600.9; 248/925; 294/82.1, 82.14; 411/400; D19/65; D1/106

(56) **References Cited**

U.S. PATENT DOCUMENTS

D37,049 S	*	7/1904	Forster	D8/356
2,152,075 A	*	3/1939	Melehes	D8/370
D304,205 S	*	10/1989	Lorber et al.	D19/65
5,329,675 A		7/1994	McLean et al.		
5,463,798 A		11/1995	Wurzer		
D377,196 S	*	1/1997	Sheppard, Jr.	D8/370
5,878,834 A		3/1999	Brainerd et al.		
D428,670 S	*	7/2000	Tsai	D8/370
D454,054 S		10/2000	Kelleghan		
D456,693 S		2/2001	Kelleghan		
D441,638 S		5/2001	Kelleghan		
D447,680 S		9/2001	Kelleghan		
D447,932 S		9/2001	Kelleghan		
D447,933 S		9/2001	Kelleghan		

OTHER PUBLICATIONS

U.S. patent application Ser. No. 29/127,750, Brian James Kelleghan, filed Aug. 11, 2000.

U.S. patent application Ser. No. 29/128,297, Brian James Kelleghan, filed Aug. 22, 2000.

U.S. patent application Ser. No. 29/135,353, Brian James Kelleghan, filed Jan. 10, 2001.

U.S. patent application Ser. No. 29/154,974, Brian James Kelleghan, filed Jul. 1, 2002.

* cited by examiner

Primary Examiner—Doris V. Coles

Assistant Examiner—Elizabeth A. Albert

(74) *Attorney, Agent, or Firm*—Margaret Polson; Patent Law Offices of Rick Martin, P.C.

(57) **CLAIM**

The ornamental design for a wide angle star shaped carabiner, as shown and described.

DESCRIPTION

FIG. 1 is a top plan view of my new design for a wide angle star shaped carabiner, it being understood that the bottom view is identical;

FIG. 2 is a front elevational view of the wide angle star shaped carabiner shown in FIG. 1;

FIG. 3 is a rear elevational view of the wide angle star shaped carabiner shown in FIG. 1;

FIG. 4 is a right side elevational view of the wide angle star shaped carabiner shown in FIG. 1;

FIG. 5 is a left side elevational view of the wide angle star shaped carabiner shown in FIG. 1; and,

FIG. 6 is a top perspective view of the wide angle star shaped carabiner shown in FIG. 1.

1 Claim, 1 Drawing Sheet

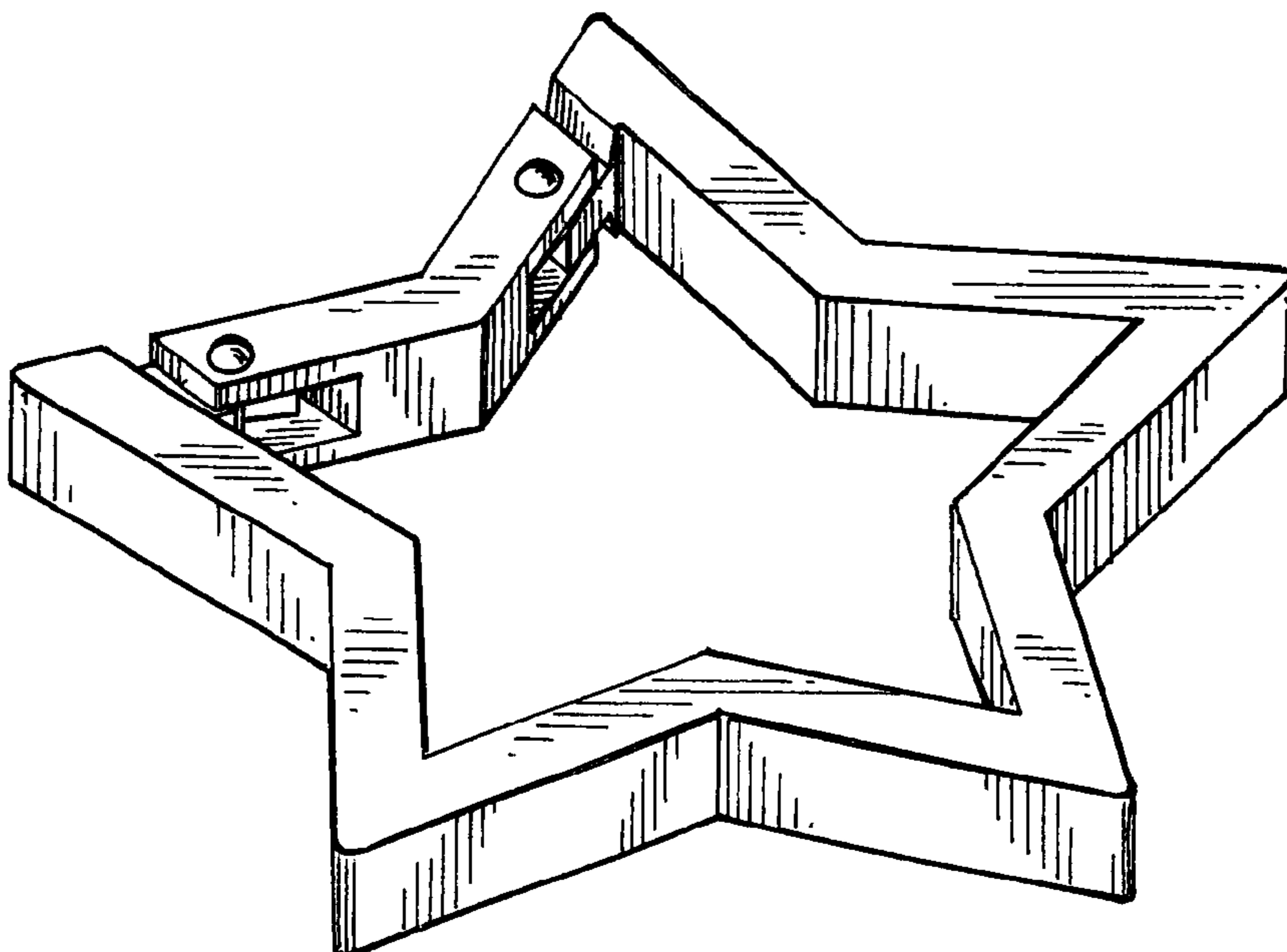




FIG. 2



FIG. 4

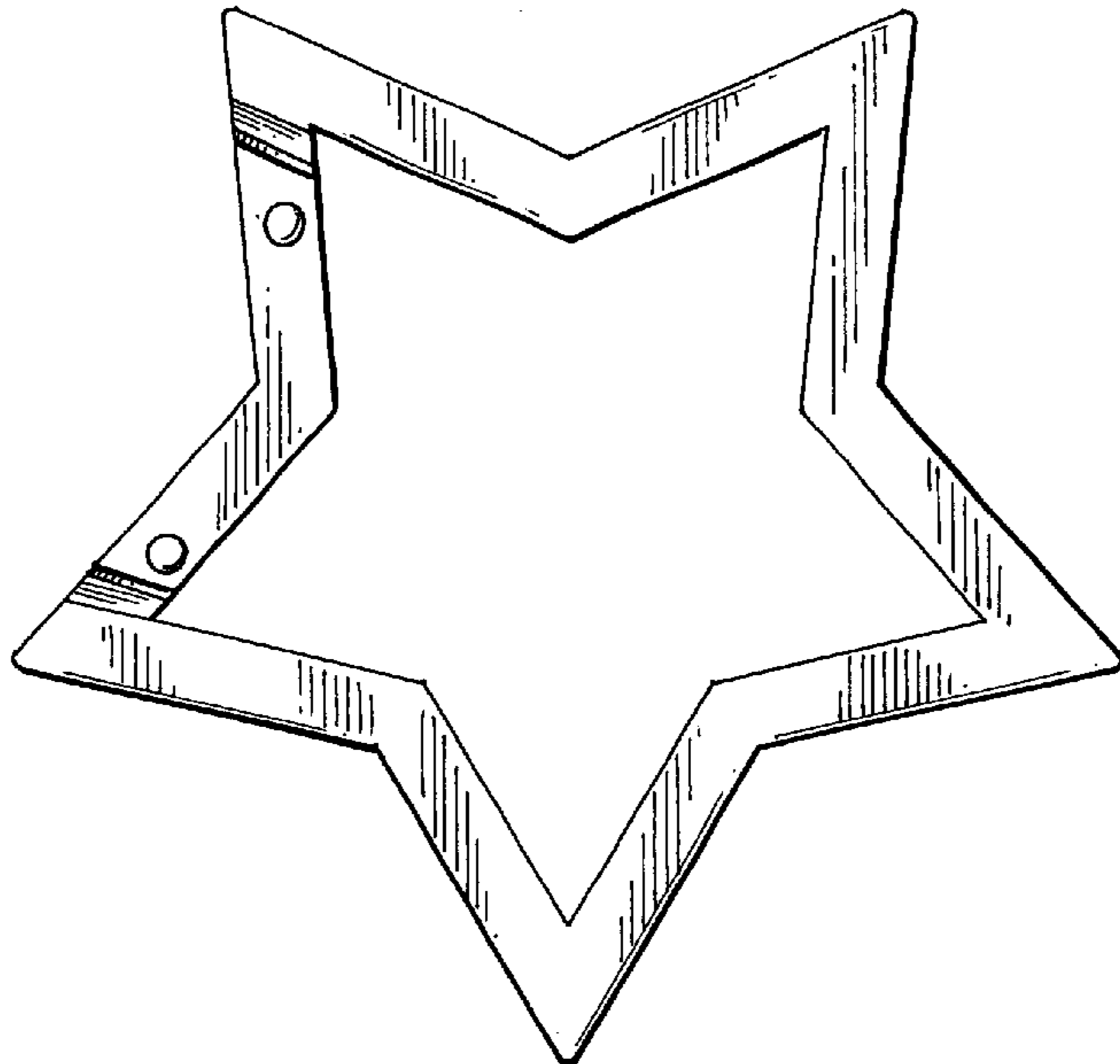


FIG. 1



FIG. 5



FIG. 3

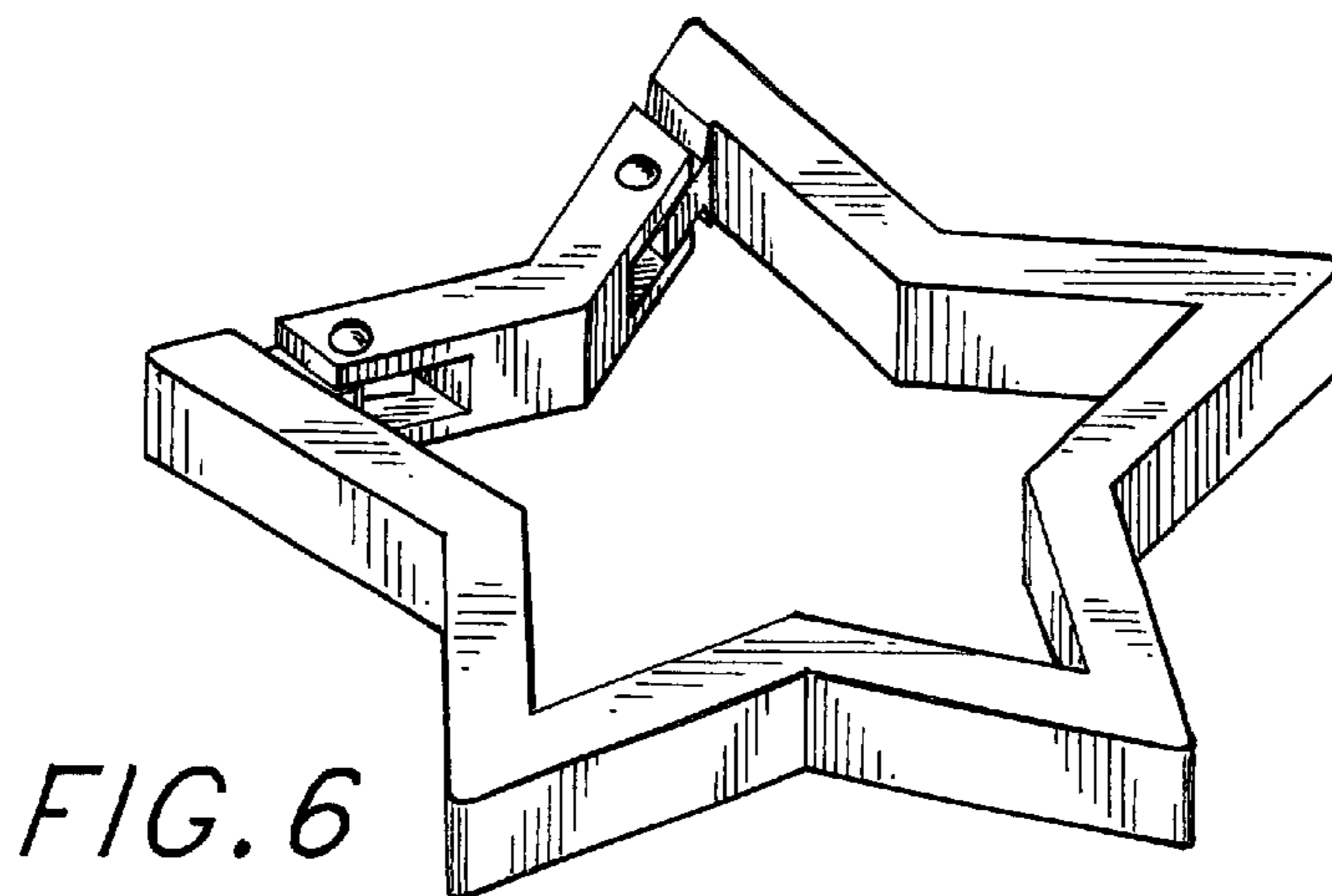


FIG. 6