



US00D466790S

(12) **United States Design Patent**  
**Bruggemann**

(10) **Patent No.:** **US D466,790 S**

(45) **Date of Patent:** **\*\* Dec. 10, 2002**

(54) **CURTAIN RAIL WITH HOLDERS AND LOOPS**

5,642,819 A \* 7/1997 Ronia ..... 211/86.01  
5,797,192 A \* 8/1998 Curtis ..... 30/289  
5,975,187 A \* 11/1999 Chou ..... 160/345

(75) Inventor: **Paul Bruggemann**, Sundern (DE)

\* cited by examiner

(73) Assignee: **Bruggemann Metallwarentrieb E.K.**  
(DE)

*Primary Examiner*—Doris V. Coles

*Assistant Examiner*—Elizabeth A. Albert

(\*\*) Term: **14 Years**

(74) *Attorney, Agent, or Firm*—Hoffman, Wasson & Gitler,  
P.C.

(21) Appl. No.: **29/146,341**

(57) **CLAIM**

(22) Filed: **Aug. 9, 2001**

The ornamental design for a curtain rail with holders and loops, as shown and described.

(30) **Foreign Application Priority Data**

Feb. 9, 2001 (DE) ..... 401 01 321

**DESCRIPTION**

(51) **LOC (7) Cl.** ..... **08-05**

FIG. 1 is a top view of the curtain rail with the holders and loops omitted for clarity, the broken lines indicating an indeterminate length; the bottom view is identical;

(52) **U.S. Cl.** ..... **D8/354**

FIG. 2 is a left side view of the curtain rail; the right side view is identical;

(58) **Field of Search** ..... D8/349, 354, 363,  
D8/366, 367, 373, 376, 377, 380; 211/86.01,  
94.01, 94.02, 105.1; 248/252, 261, 262,  
265, 251

FIG. 3 is a fragmentary view of one end of the curtain rail with holders and loops, the holder being cylindrical; and,  
FIG. 4 is a rear view of the curtain rail with holders and loops, the holder being cylindrical.

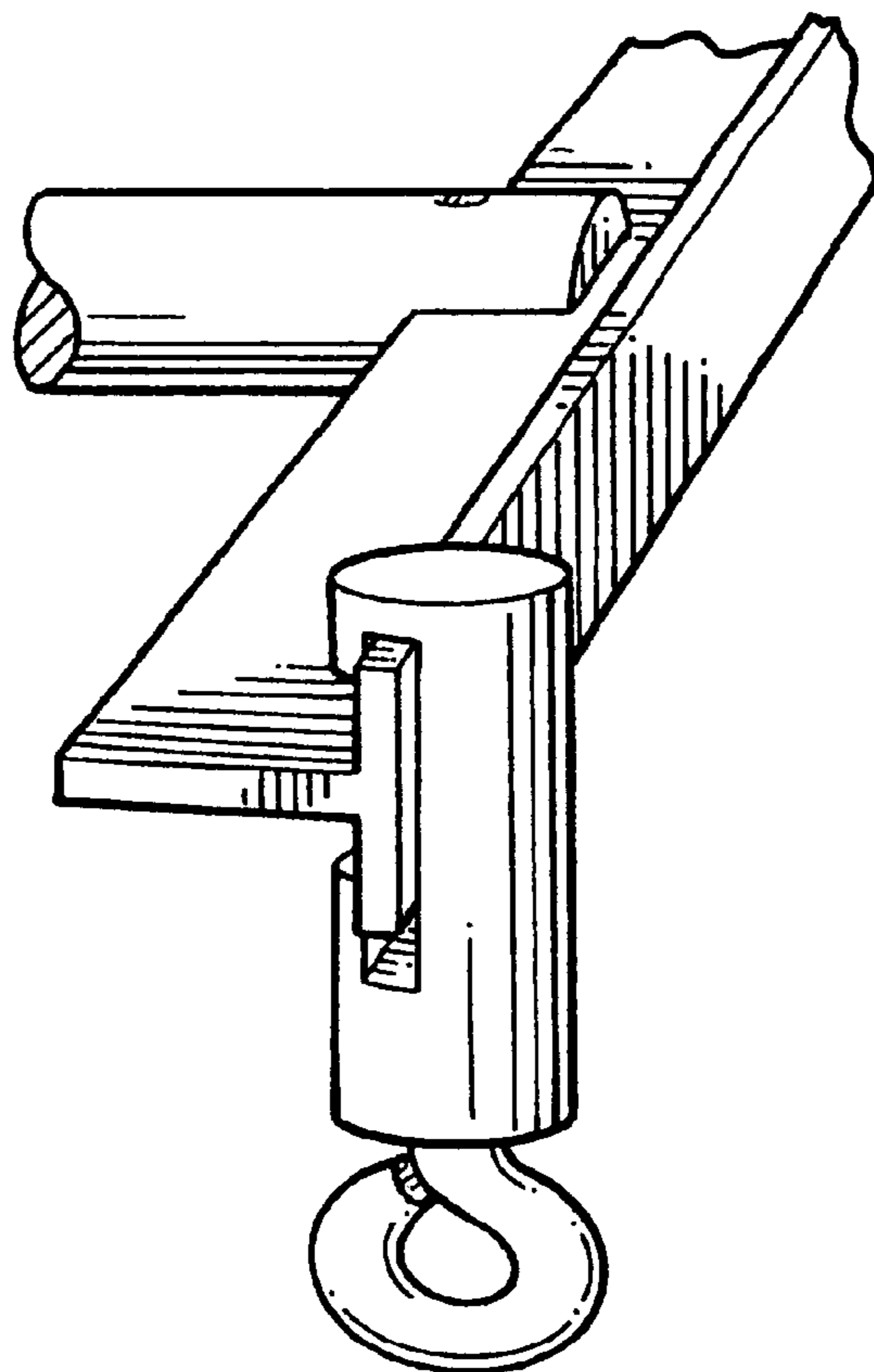
(56) **References Cited**

The broken lines showing environment in FIGS. 1 and 2 are for illustrative purposes only and form no part of the claimed design.

**U.S. PATENT DOCUMENTS**

D264,936 S \* 6/1982 Ross ..... D8/376  
4,467,925 A \* 8/1984 Ratzloff et al. .... 211/94.02  
4,979,713 A \* 12/1990 Bell ..... 248/251

**1 Claim, 2 Drawing Sheets**



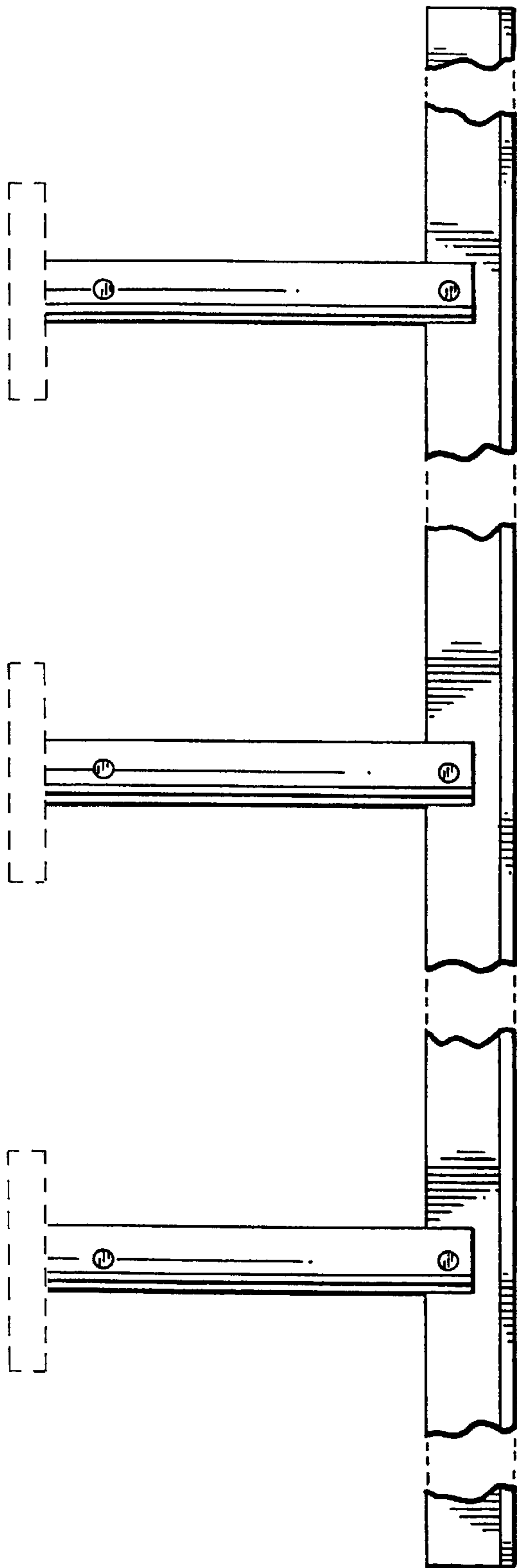


FIG. 1

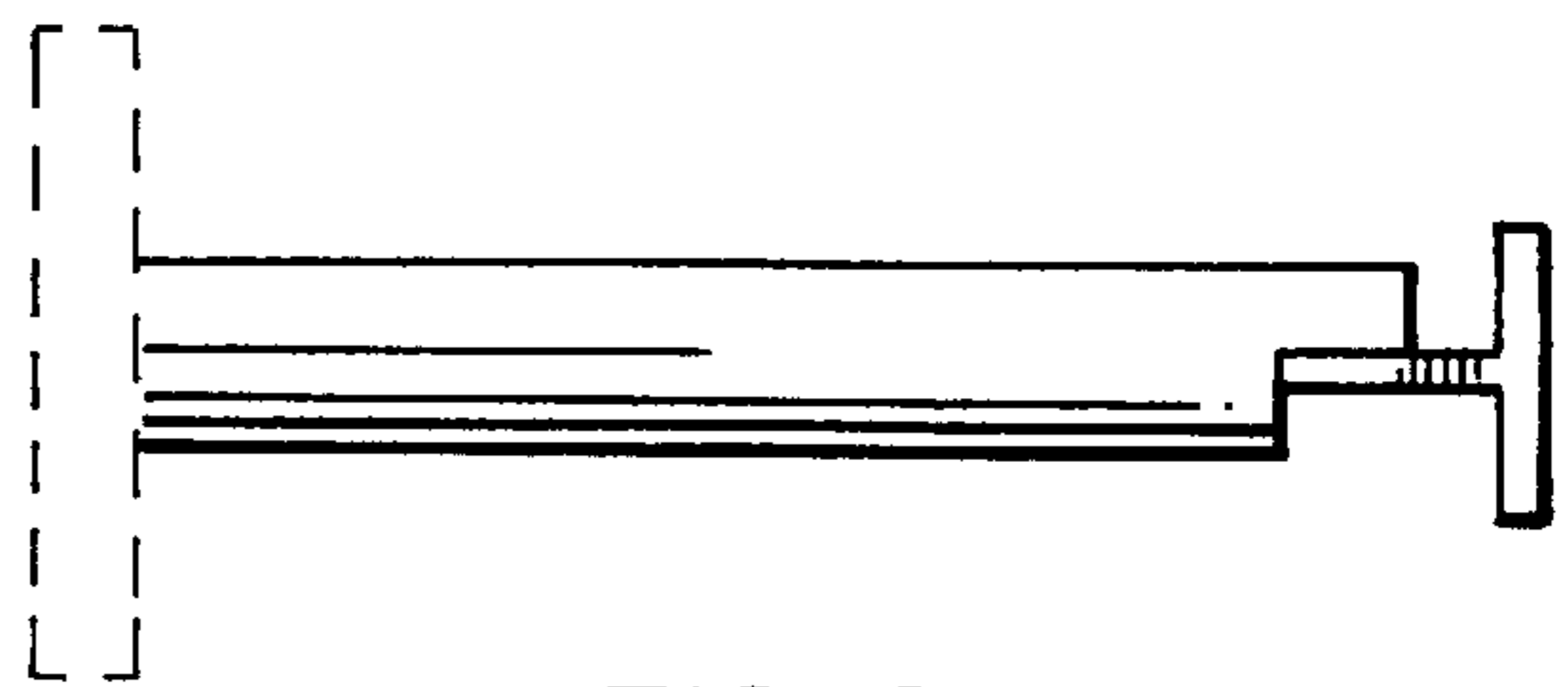


FIG. 2

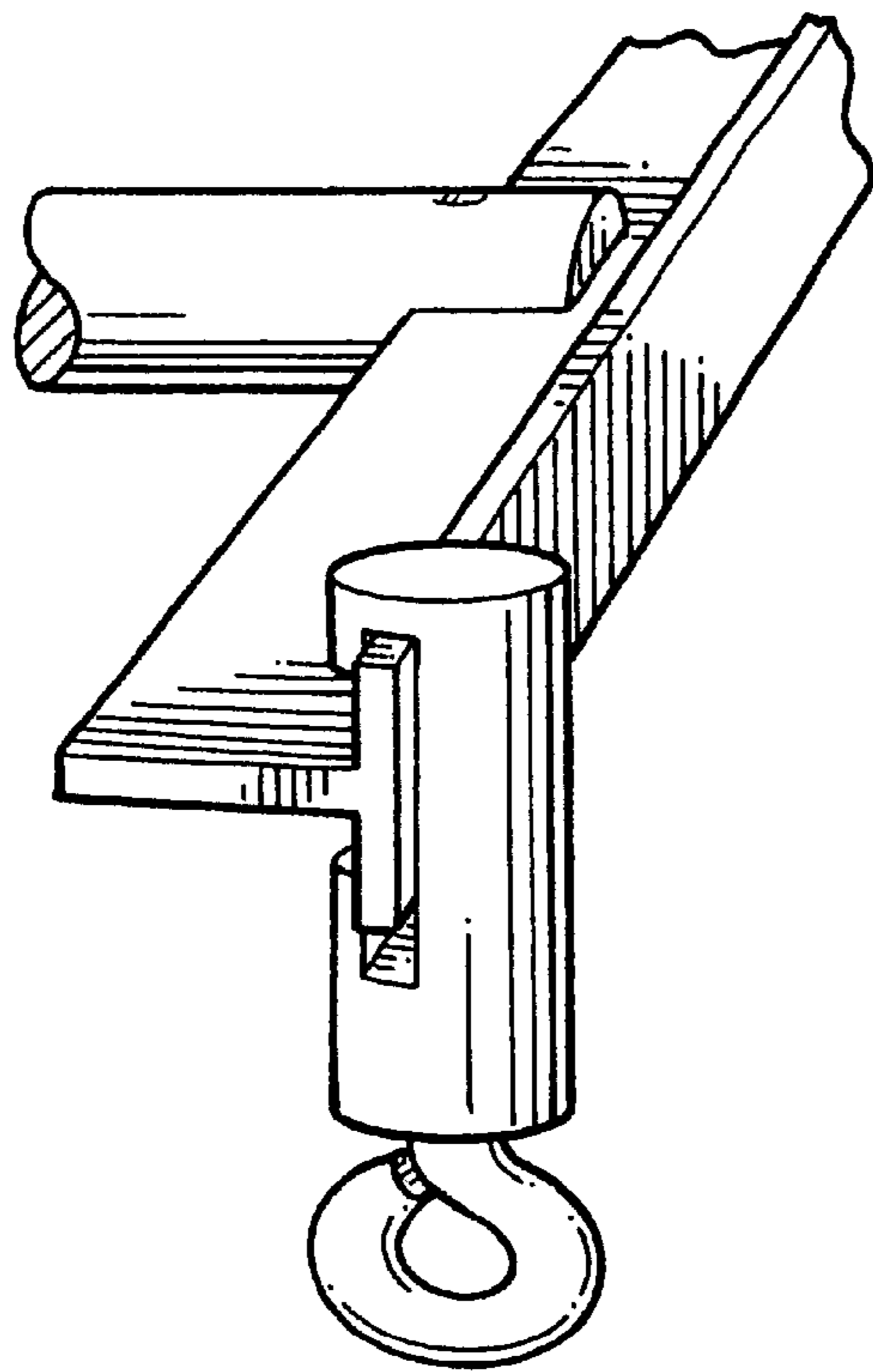


FIG. 3

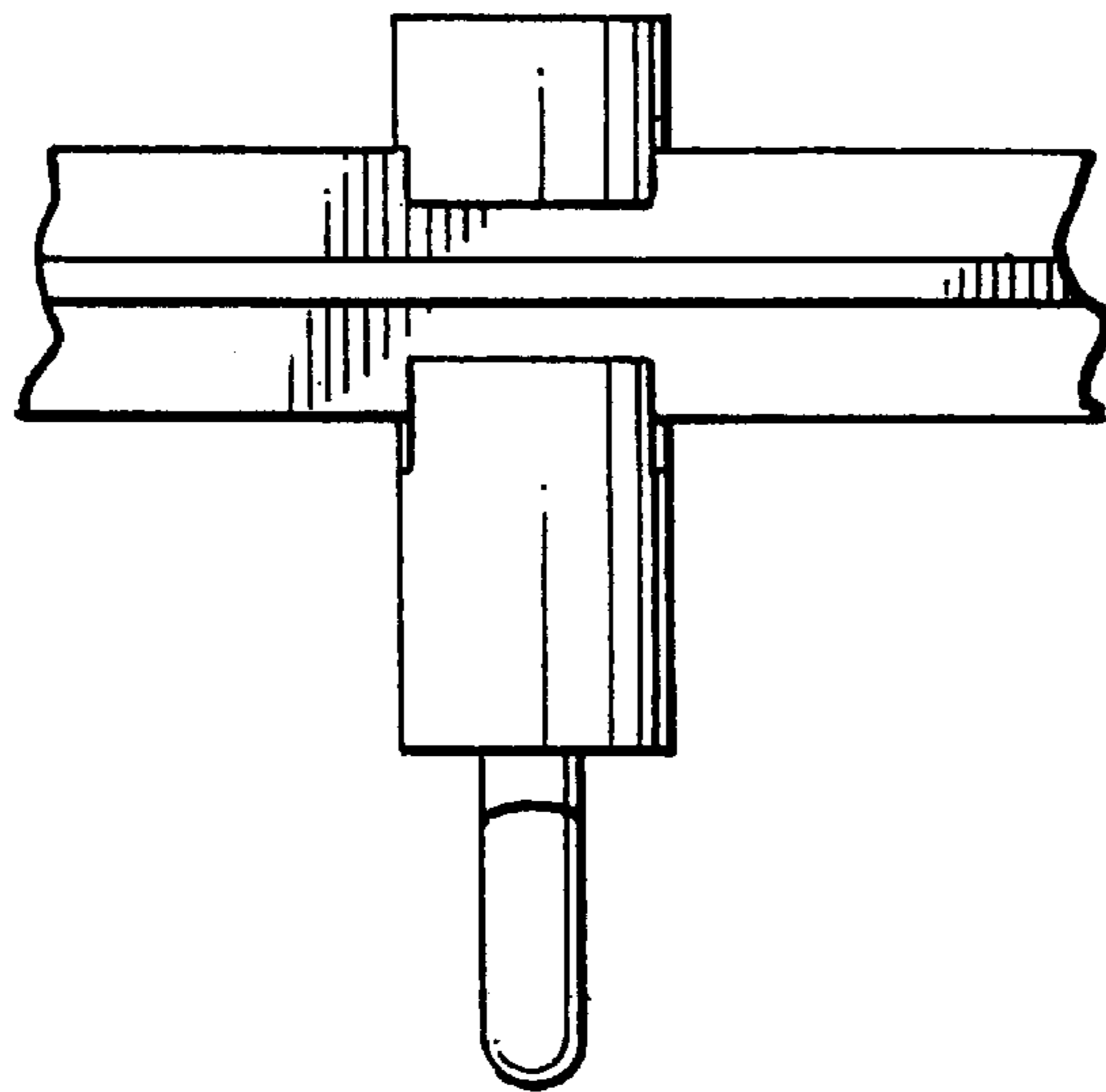


FIG. 4