



US00D466789S

(12) **United States Design Patent**
Jeffries

(10) **Patent No.:** **US D466,789 S**

(45) **Date of Patent:** **** Dec. 10, 2002**

(54) **ELLIPTICAL SHAPED FACE PLATE**

(75) **Inventor:** **Mark Jeffries**, Buford, GA (US)

(73) **Assignee:** **Austin Hardware & Supply, Inc.**,
Lee's Summit, MO (US)

(**) **Term:** **14 Years**

(21) **Appl. No.:** **29/147,499**

(22) **Filed:** **Aug. 30, 2001**

(51) **LOC (7) Cl.** **11-05**

(52) **U.S. Cl.** **D8/352; D8/306; D8/350;**
D8/399

(58) **Field of Search** **D8/300-302, 306,**
D8/307, 350, 352-3, 338, 341, 399; 292/336.3,
347, 356, 357, DIG. 12, 23, 30, 31, 67;
16/402, 412, 445; 70/208, 211, 101, 91

(56) **References Cited**

U.S. PATENT DOCUMENTS

- 888,079 A * 5/1908 Furman
- 1,267,948 A * 5/1918 Wiley
- 1,519,678 A * 12/1924 Gates
- 1,878,544 A * 9/1932 Schmidt
- D271,562 S 11/1983 Weinerman
- 4,589,163 A * 5/1986 Weatherby et al.
- D316,365 S 4/1991 Hansen et al.

- D317,398 S 6/1991 Hansen et al.
- D323,776 S 2/1992 Hansen
- D380,955 S * 7/1997 Landry et al. D8/306
- D389,393 S 1/1998 Hansen
- 5,875,948 A 3/1999 Sadler
- D410,424 S 6/1999 Hansen
- D410,609 S 6/1999 Hansen
- 5,941,104 A 8/1999 Sadler
- 6,155,616 A 12/2000 Akright
- D439,500 S * 3/2001 Mirick D8/306
- D455,640 S * 4/2002 Hansen D8/306

* cited by examiner

Primary Examiner—B. J. Bullock

(74) *Attorney, Agent, or Firm*—Polsinelli Shalton & Welte

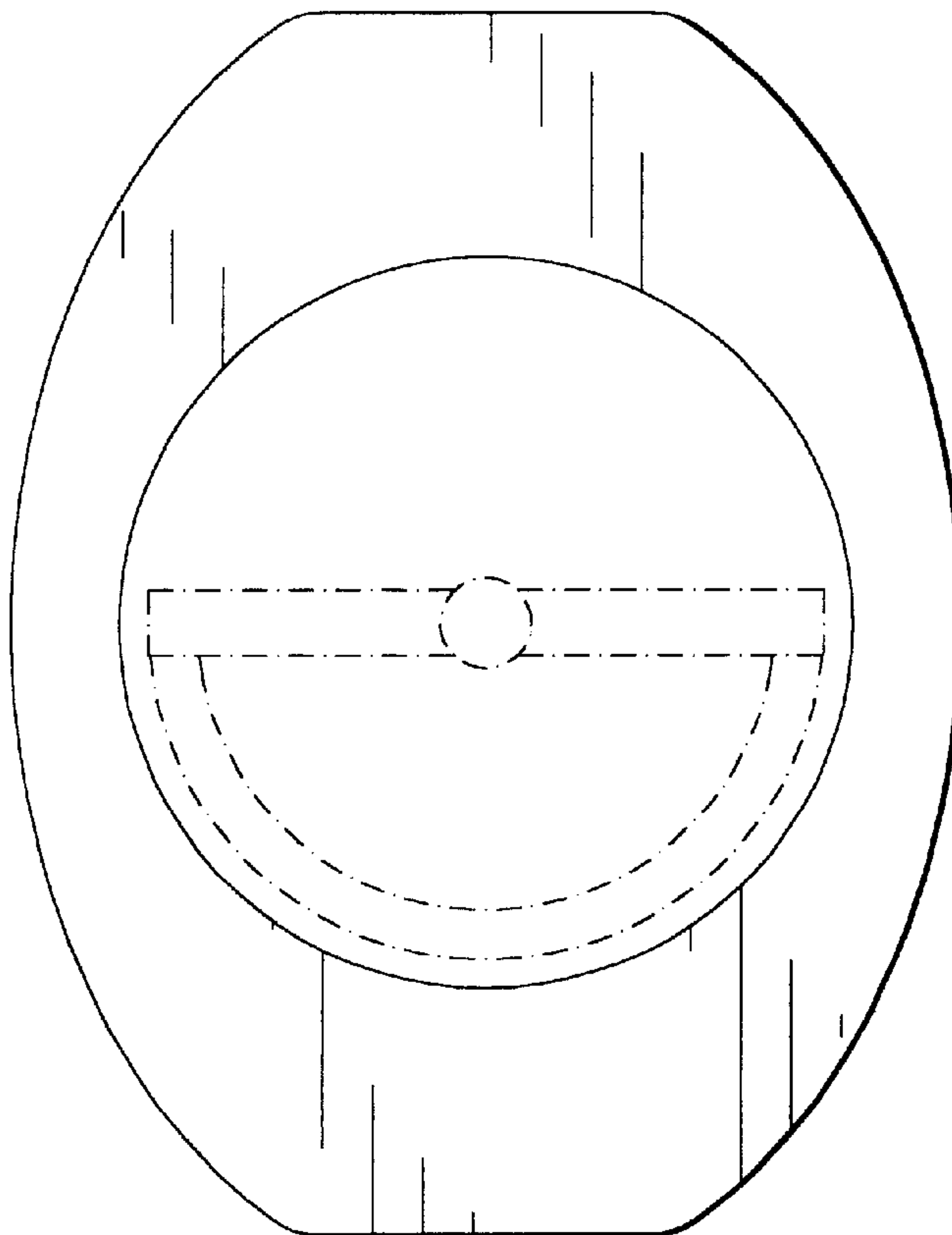
(57) **CLAIM**

The ornamental design for an elliptical shaped face plate, as shown and described.

DESCRIPTION

FIG. 1 is a front view of a face plate, showing a new design; FIG. 2 is a back view of the face plate shown in FIG. 1; FIG. 3 is a top view of the face plate shown in FIG. 1; and, FIG. 4 is a side view of the face plate shown in FIG. 1. The broken lines are for illustrative purposes only and form no part of the claimed design.

1 Claim, 2 Drawing Sheets



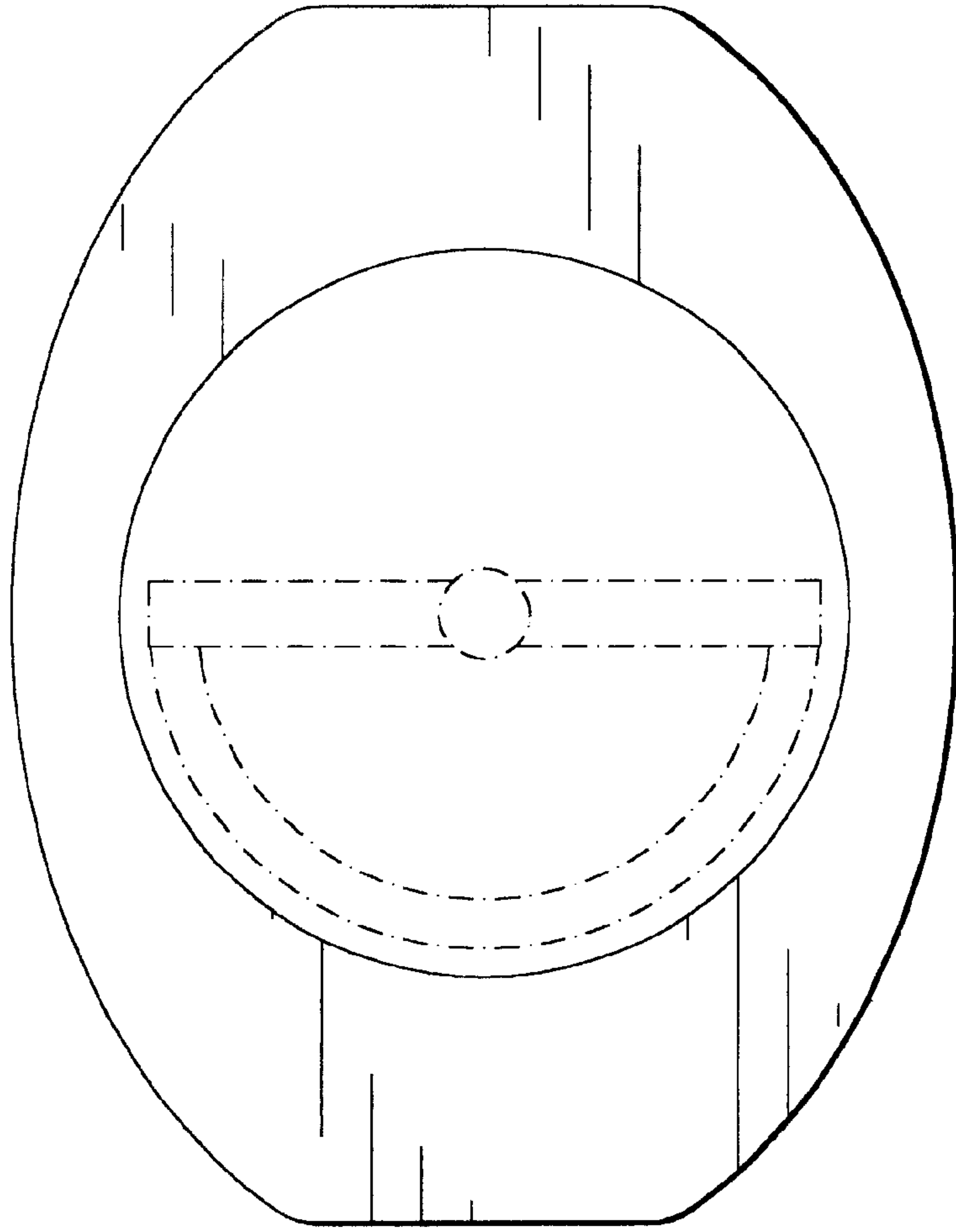


Fig. 1.

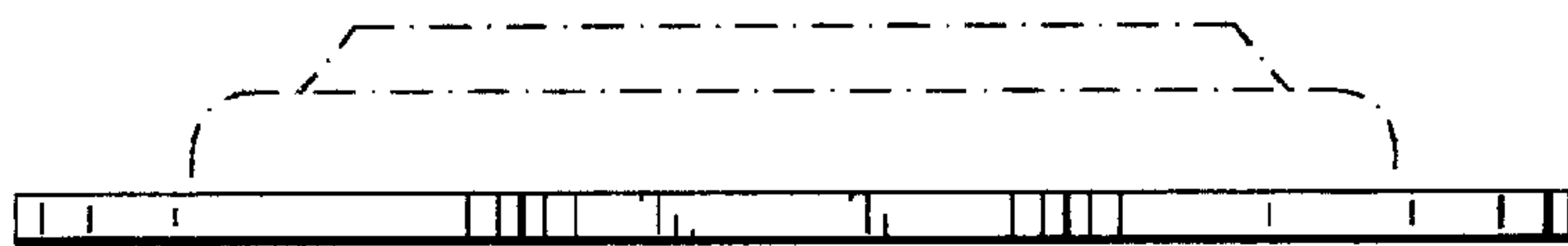


Fig. 3.

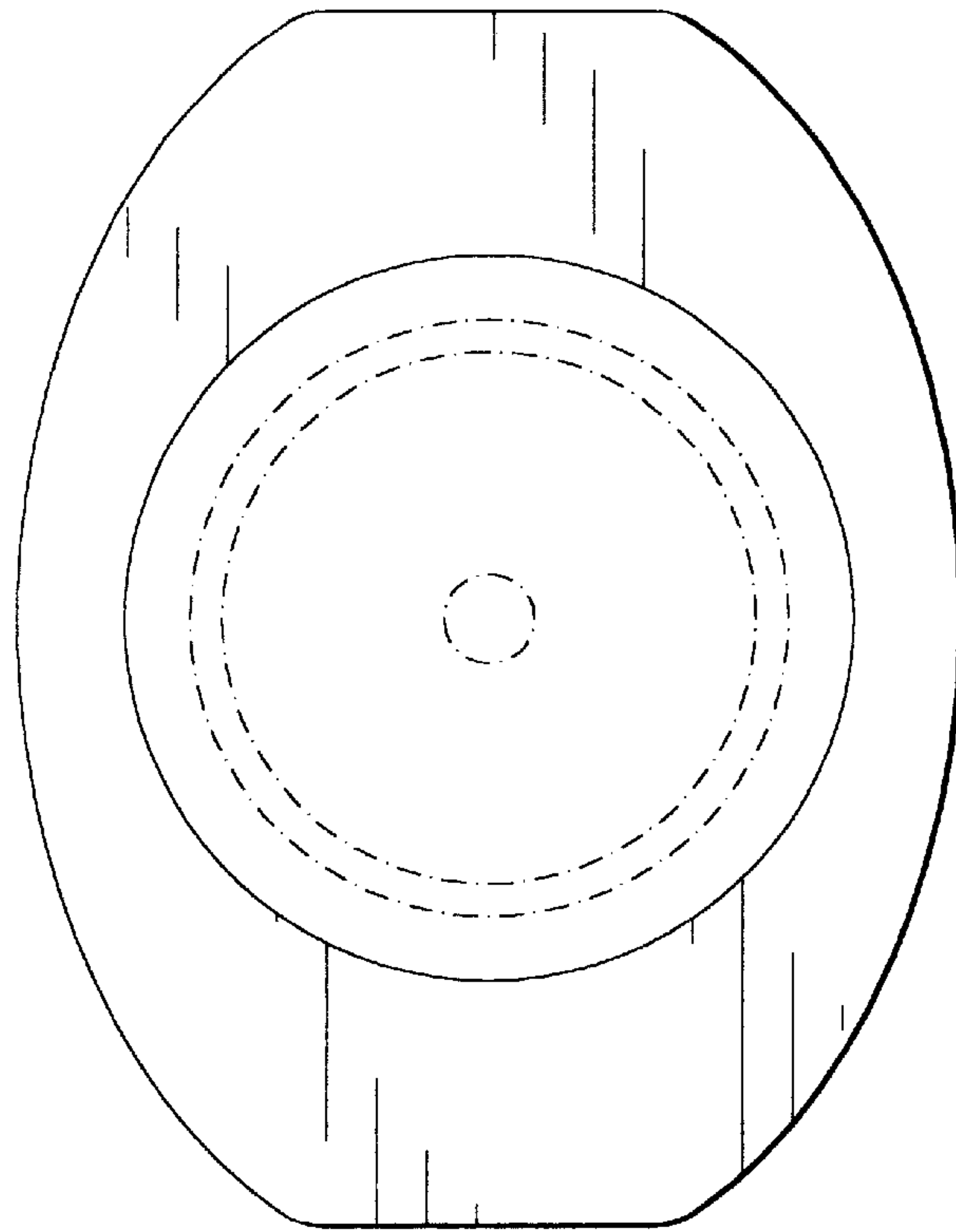


Fig. 2.

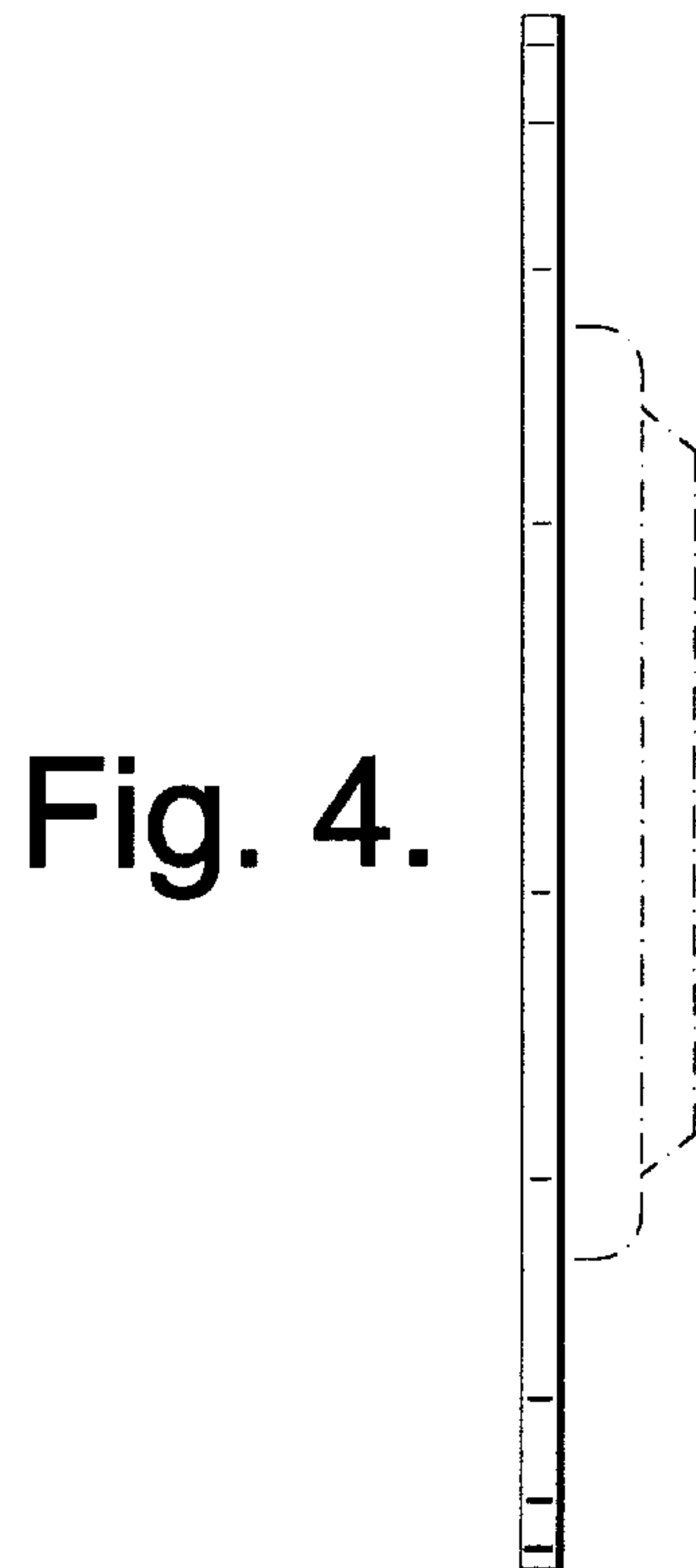


Fig. 4.