



US00D466788S

(12) **United States Design Patent**
Baskauskas et al.

(10) **Patent No.:** **US D466,788 S**

(45) **Date of Patent:** **** Dec. 10, 2002**

(54) **SUNDANCE DOOR HANDLE**

(76) Inventors: **Asta Baskauskas**, Arkliu 20-9, Vilnius (LT); **Milda Bugailiskyte**, Arkliu 20-9, Vilnius (LT); **Algis Jasiukevicius**, Arkliu 20-9, Vilnius (LT)

(**) Term: **14 Years**

(21) Appl. No.: **29/158,574**

(22) Filed: **Apr. 8, 2002**

(51) **LOC (7) Cl.** **08-06**

(52) **U.S. Cl.** **D8/302; D8/320; D8/353**

(58) **Field of Search** D8/300-302, 315-320, D8/350, 353, 338, 341; 16/110.1, 412, 415; 292/336.3, 357, 356, DIG. 37, DIG. 46

(56) **References Cited**

U.S. PATENT DOCUMENTS

- D48,362 S * 1/1916 Bosworth D8/353
- D241,809 S * 10/1976 Mellyn D8/353
- D260,361 S * 8/1981 Meisner D8/301

- D261,856 S * 11/1981 Meisner D8/301
- D351,980 S * 11/1994 Molteni D8/302
- D351,981 S * 11/1994 Susani et al. D8/320

* cited by examiner

Primary Examiner—B. J. Bullock

(74) *Attorney, Agent, or Firm*—McDermott, Will & Emery

(57) **CLAIM**

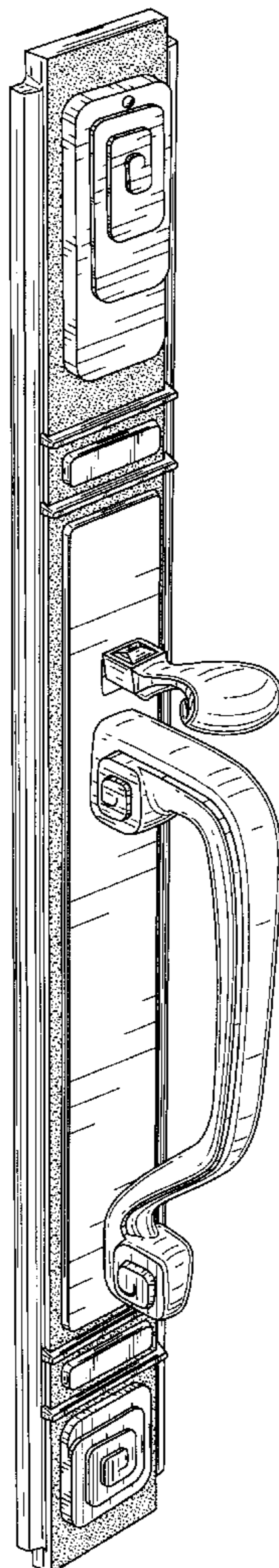
An ornamental design for a sundance door handle, substantially as shown and described.

DESCRIPTION

FIG. 1 is a perspective view of the sundance door handle; FIG. 2 is a front view thereof; FIG. 3 is a right side view thereof; FIG. 4 is a left side view thereof; FIG. 5 is a top side view thereof; and, FIG. 6 is a bottom view thereof.

The broken lines are for illustrative purposes only and form no part of the claimed design.

1 Claim, 5 Drawing Sheets



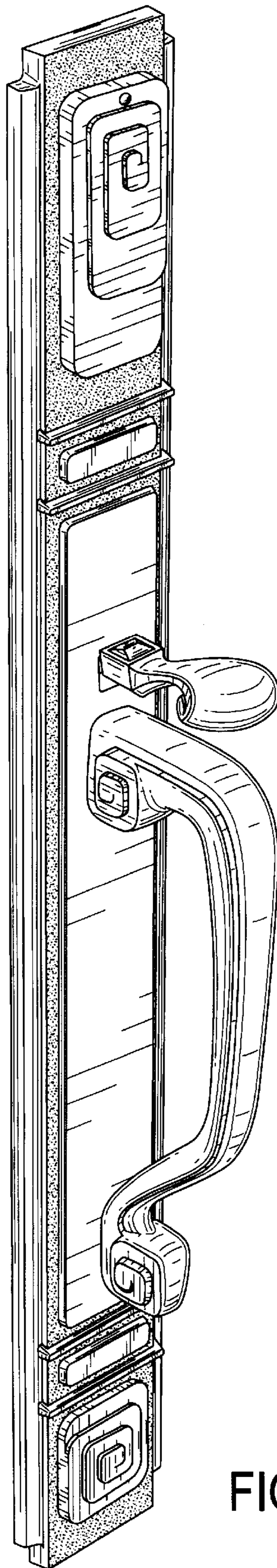


FIG. 1

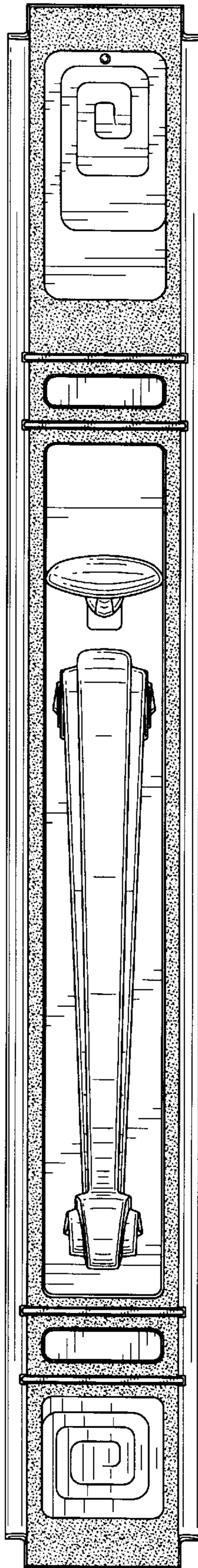


FIG. 2

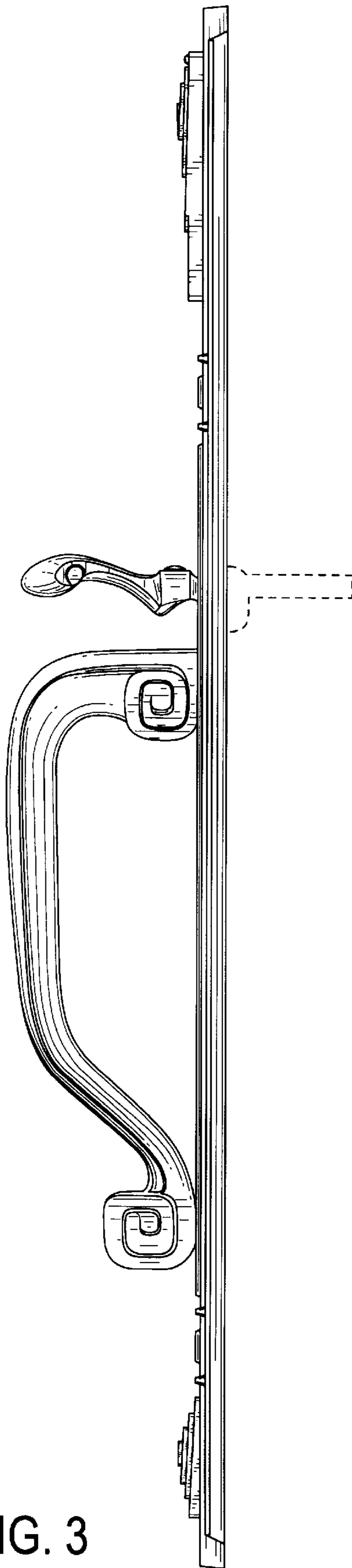


FIG. 3

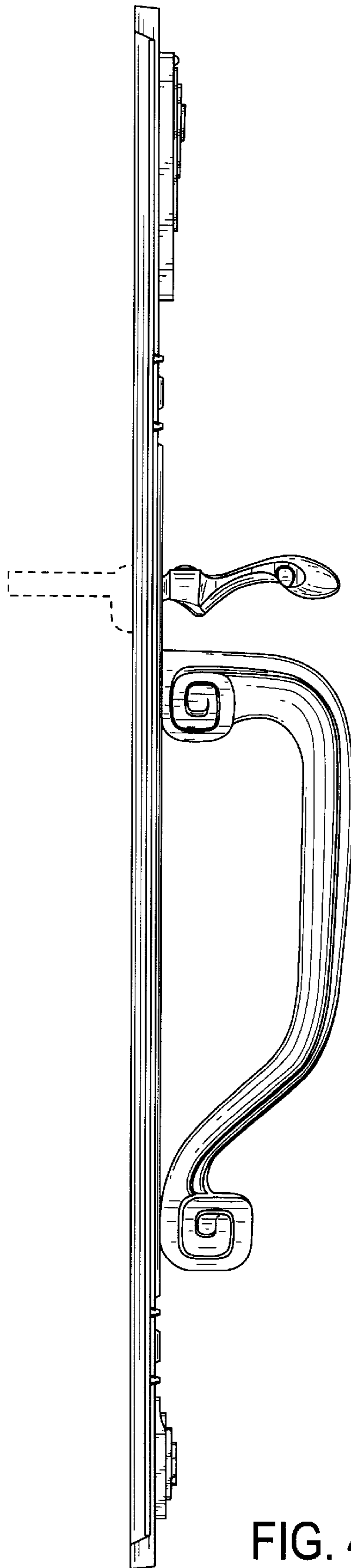


FIG. 4

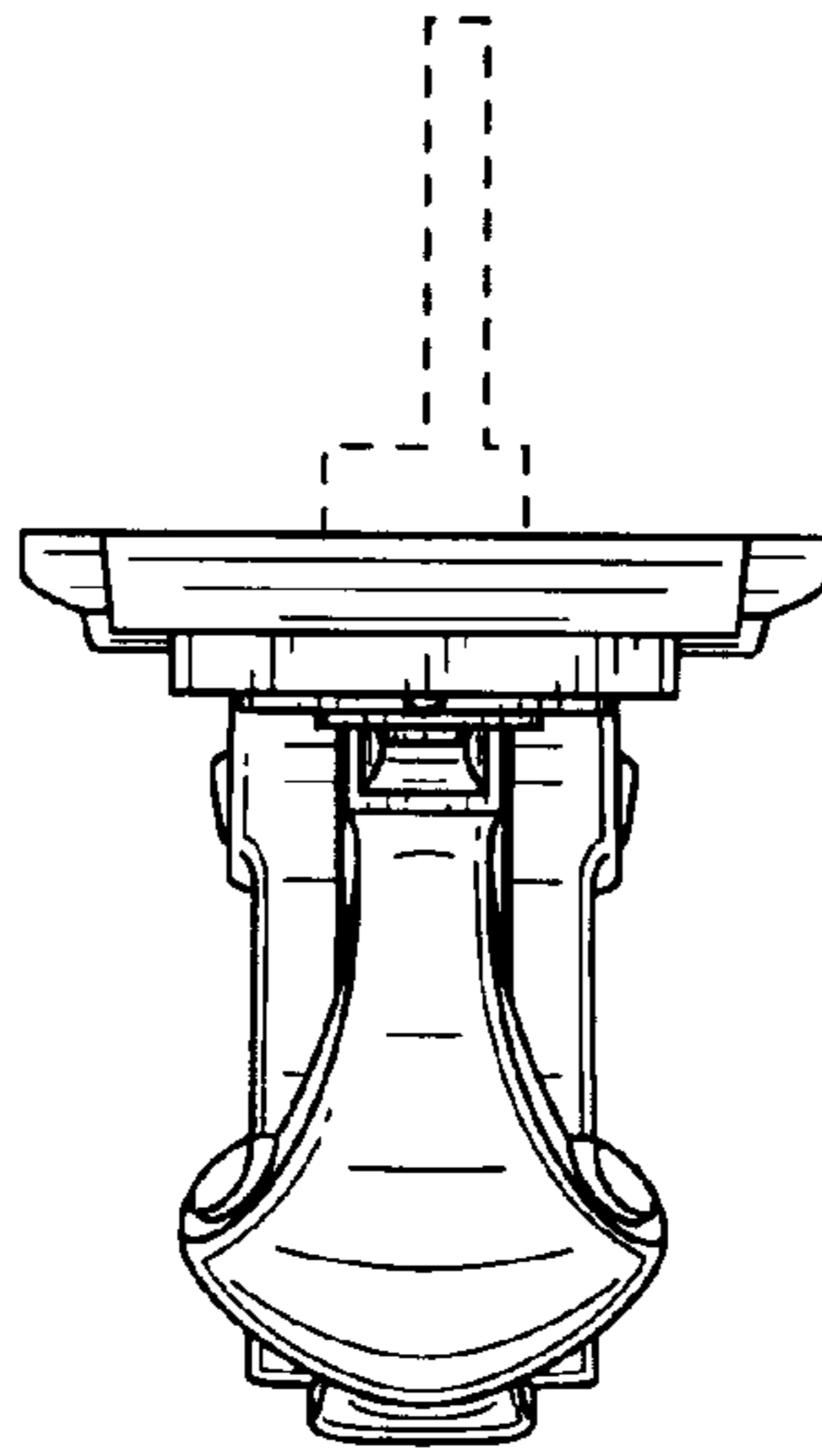


FIG. 5

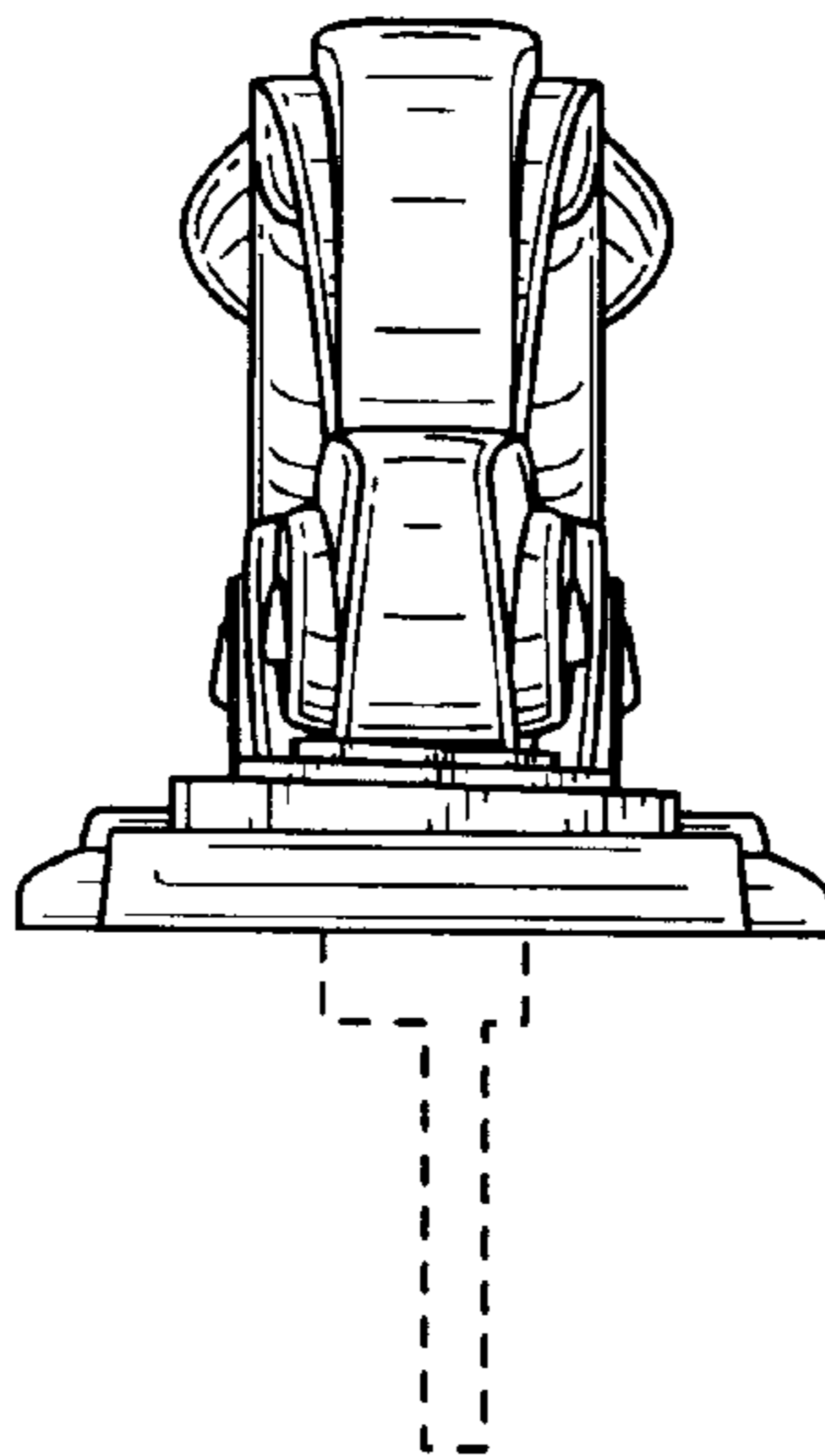


FIG. 6