



US00D466786S

(12) **United States Design Patent**
Bourgeois et al.

(10) **Patent No.:** **US D466,786 S**

(45) **Date of Patent:** **** Dec. 10, 2002**

(54) **GRAB HANDLE**

(75) Inventors: **Luc Bourgeois**, Bromont (CA);
Mathieu Gauthier, Bromont (CA)

(73) Assignee: **Bombardier Inc.**, Valcourt (CA)

(**) Term: **14 Years**

(21) Appl. No.: **29/159,353**

(22) Filed: **Apr. 22, 2002**

(51) **LOC (7) Cl.** **08-06**

(52) **U.S. Cl.** **D8/107; D8/307**

(58) **Field of Search** D8/107, 69, 97,
D8/312, 307; 81/177.1, 489; 16/110.1, 421,
422, 430, 431, 444, 446, 419, 420, DIG. 12,
DIG. 41

(56) **References Cited**

U.S. PATENT DOCUMENTS

D187,633 S	*	4/1960	Bower	D8/97
D256,405 S	*	8/1980	Wheeler	D3/315
D282,433 S	*	2/1986	Rauen et al.	D7/682
D288,278 S	*	2/1987	Bright	D8/107
D294,988 S	*	3/1988	Goodrich	D32/34
5,351,365 A	*	10/1994	Hauck	16/114 R
5,644,844 A	*	7/1997	Pink	30/276
5,887,315 A	*	3/1999	Rogers	16/125
D456,237 S	*	4/2002	Sokurenko et al.	D8/307

* cited by examiner

Primary Examiner—Alan P. Douglas

Assistant Examiner—Clare E. Heflin

(74) *Attorney, Agent, or Firm*—Pillsbury Winthrop LLP

(57) **CLAIM**

The ornamental design for a grab handle, as shown and described.

DESCRIPTION

FIG. 1 is a perspective illustration, from the rear and left

side, of the grab handle of our design;

FIG. 2 is a rear view thereof;

FIG. 3 is a front view thereof;

FIG. 4 is a right side view thereof;

FIG. 5 is a left side view thereof;

FIG. 6 is a top view thereof;

FIG. 7 is a bottom view thereof;

FIG. 8 is a perspective illustration, from the rear and left side, of a second embodiment of the grab handle of our design;

FIG. 9 is a rear view thereof;

FIG. 10 is a front view thereof;

FIG. 11 is a right side view thereof;

FIG. 12 is a left side view thereof;

FIG. 13 is a top view thereof;

FIG. 14 is a bottom view thereof;

FIG. 15 is a perspective illustration, from the rear and left side, of a third embodiment of the grab handle of our design;

FIG. 16 is a rear view thereof;

FIG. 17 is a front view thereof;

FIG. 18 is a right side view thereof;

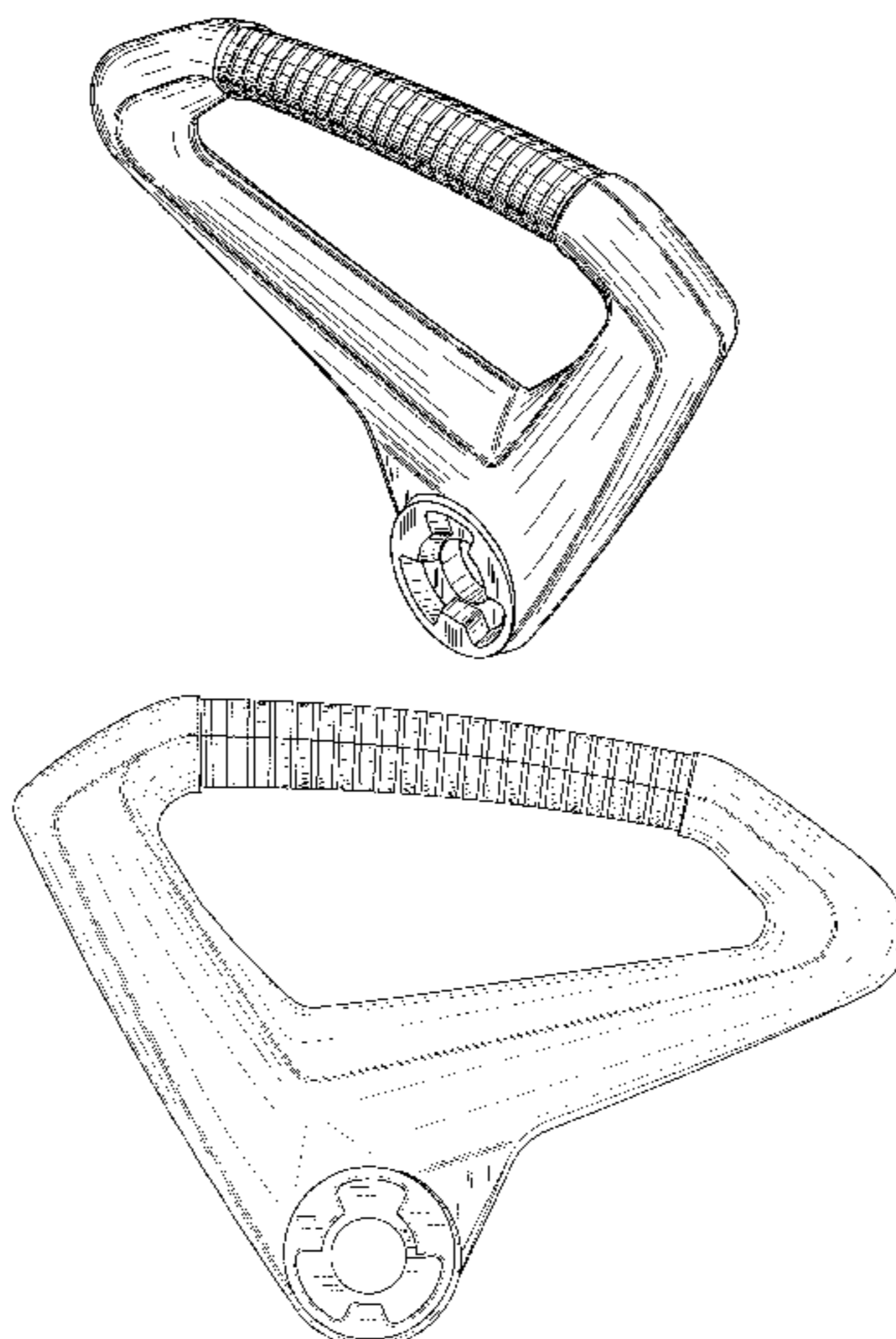
FIG. 19 is a left side view thereof;

FIG. 20 is a top view thereof; and,

FIG. 21 is a bottom view thereof.

Where included, broken lines showing environment or structure are for illustrative purposes only and form no part of the claimed design. The omission of a view is meant to indicate that the view is plain and unornamented.

1 Claim, 15 Drawing Sheets



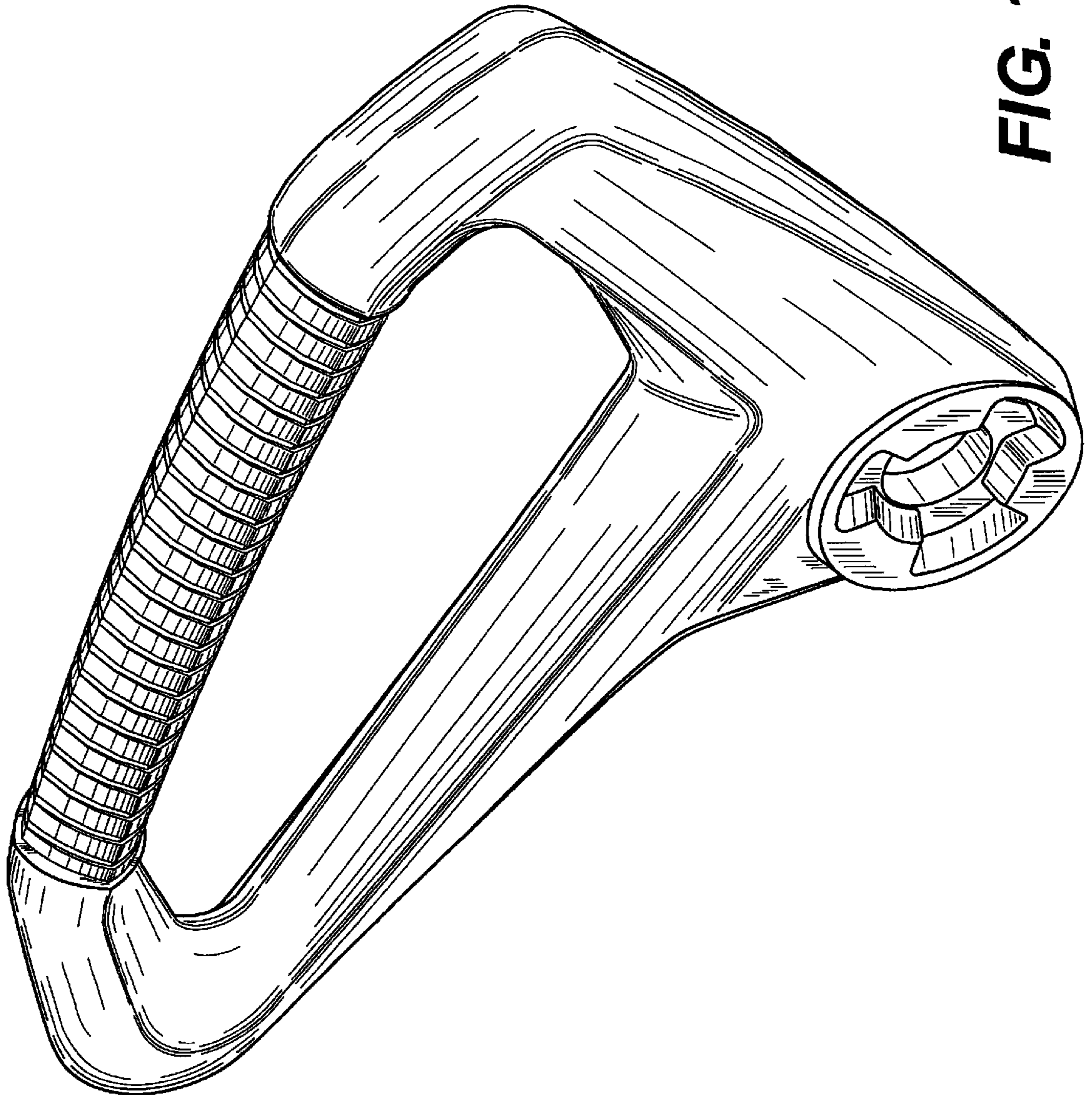


FIG. 1

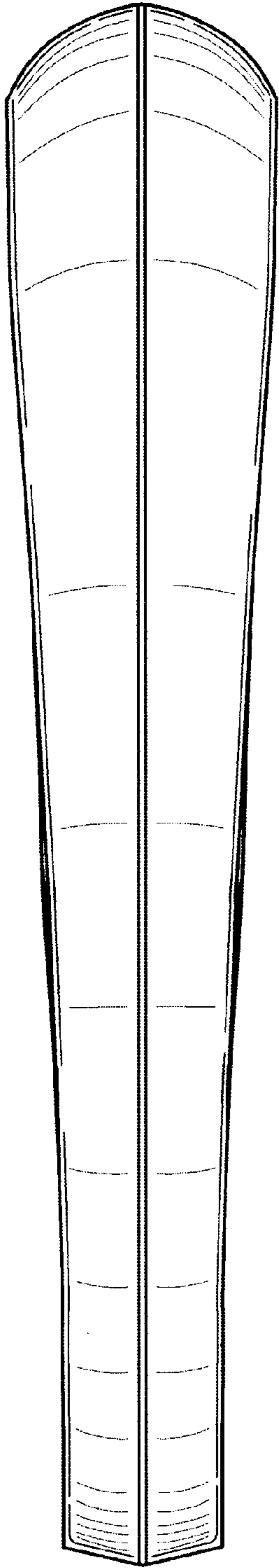


FIG. 2

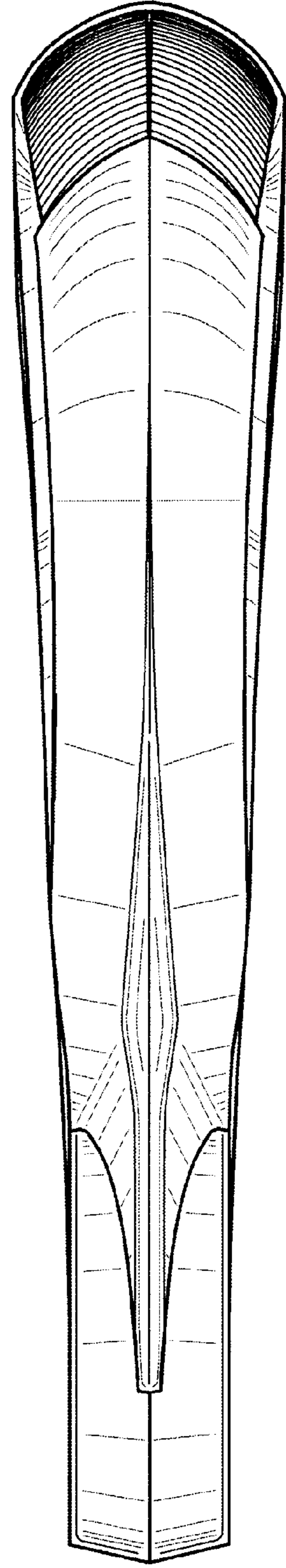


FIG. 3

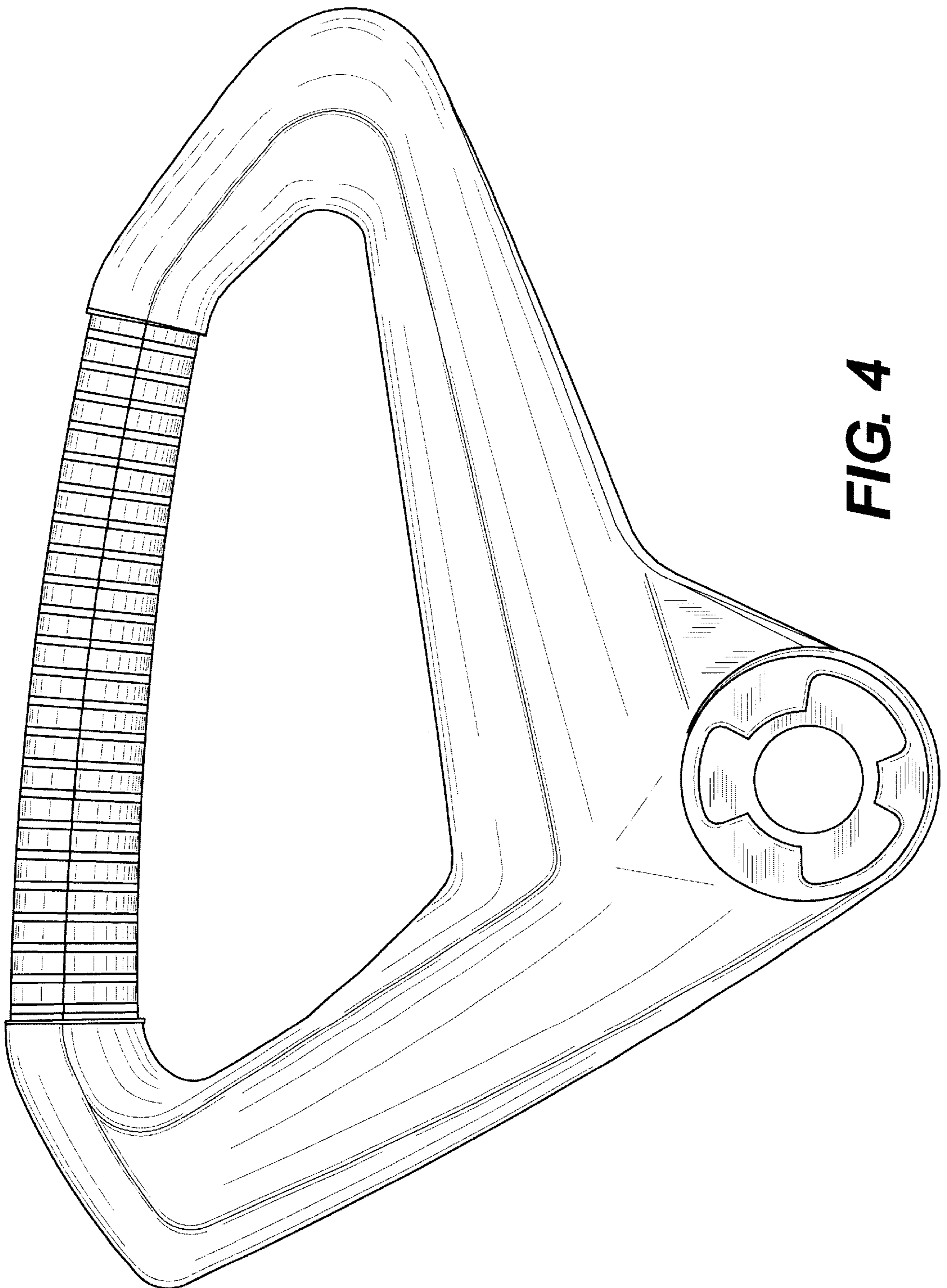


FIG. 4

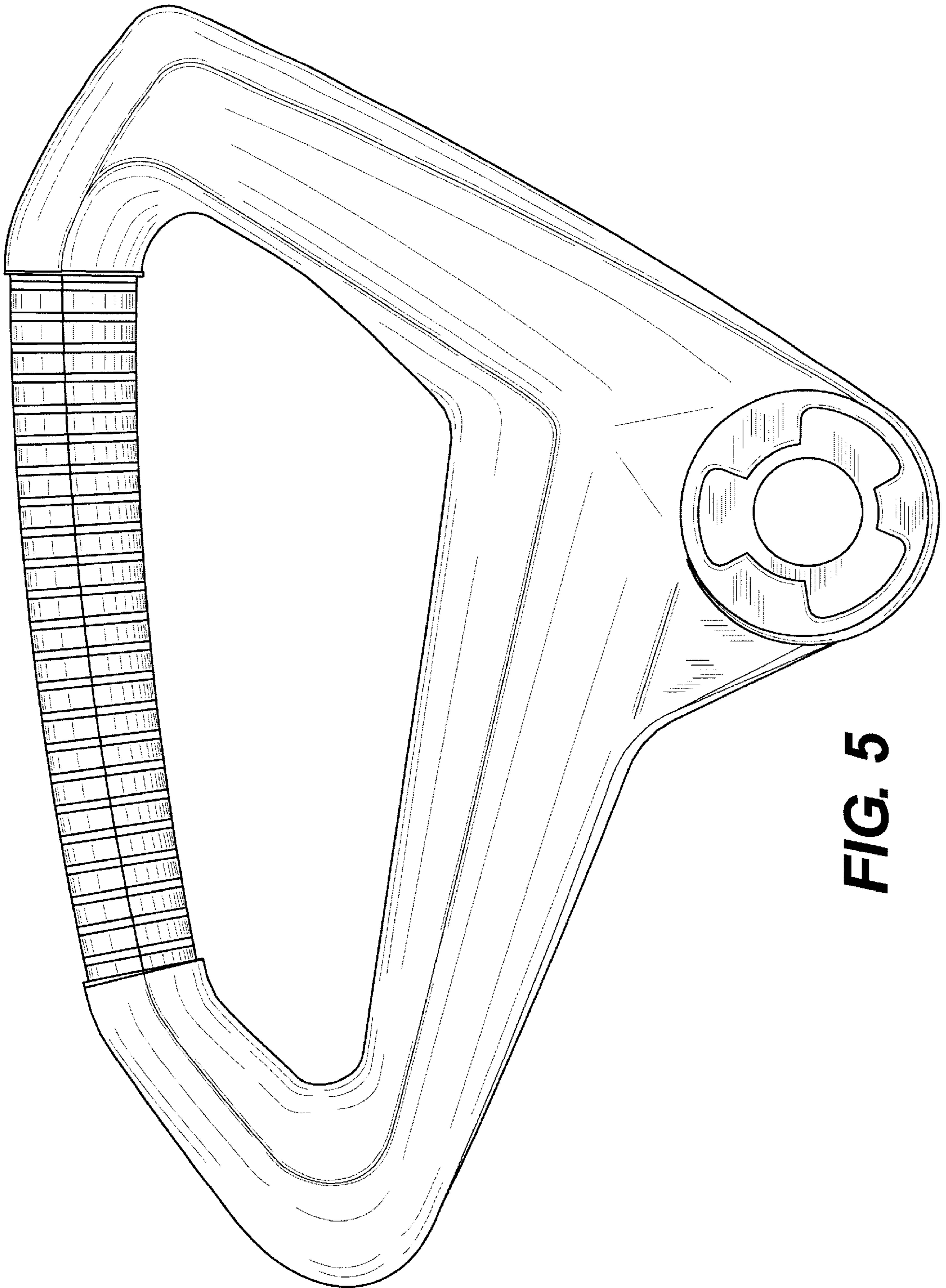


FIG. 5

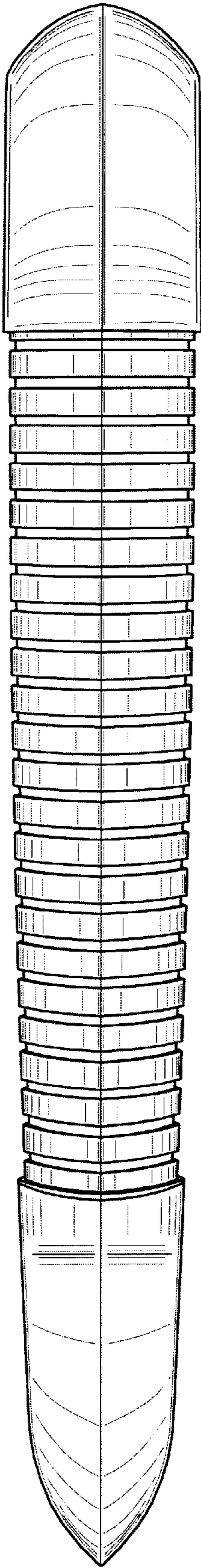


FIG. 6

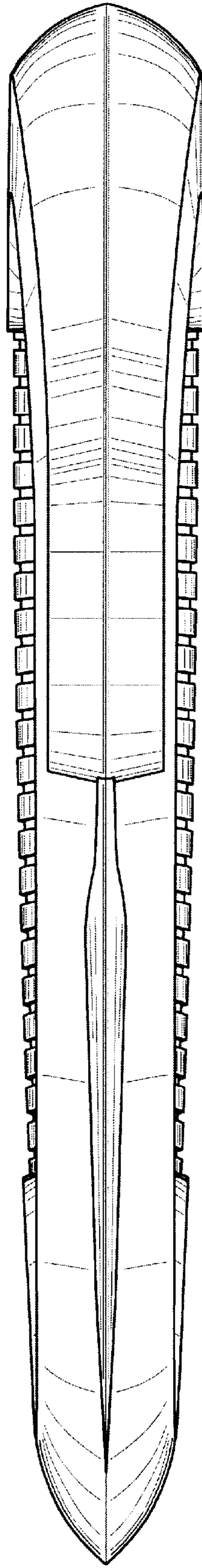


FIG. 7

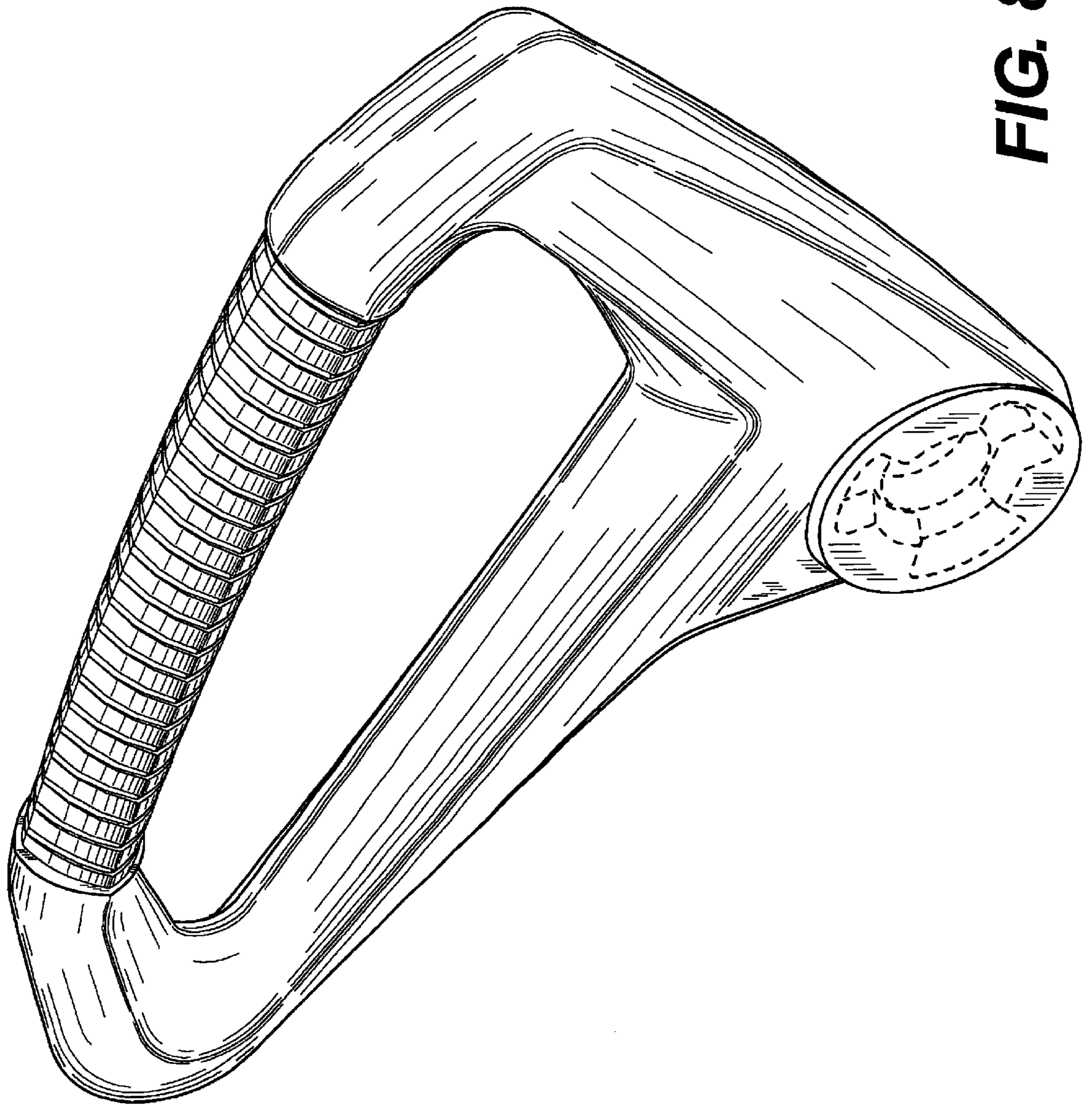


FIG. 8

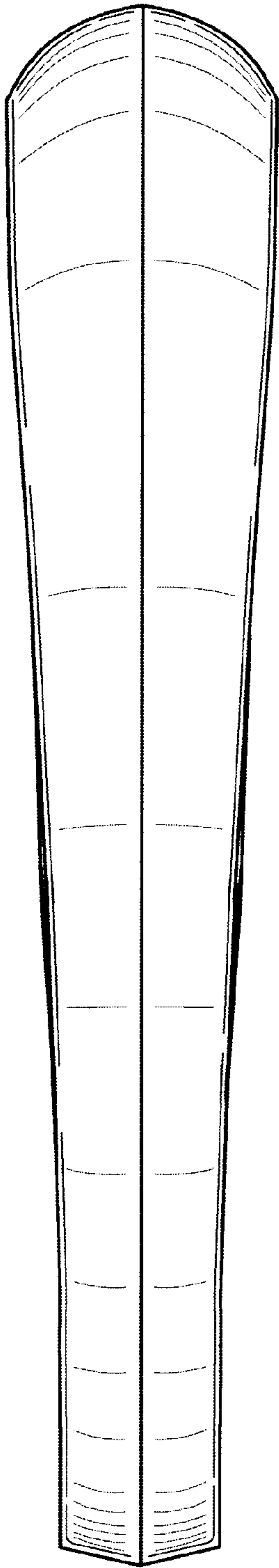


FIG. 9

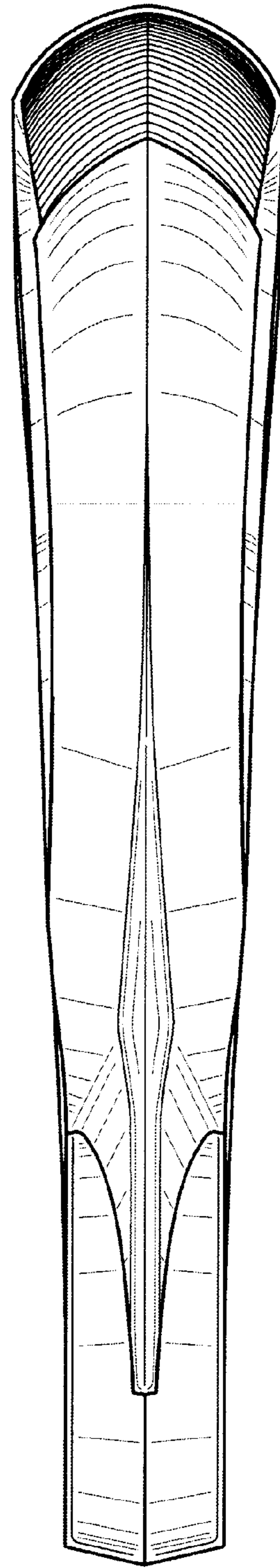


FIG. 10

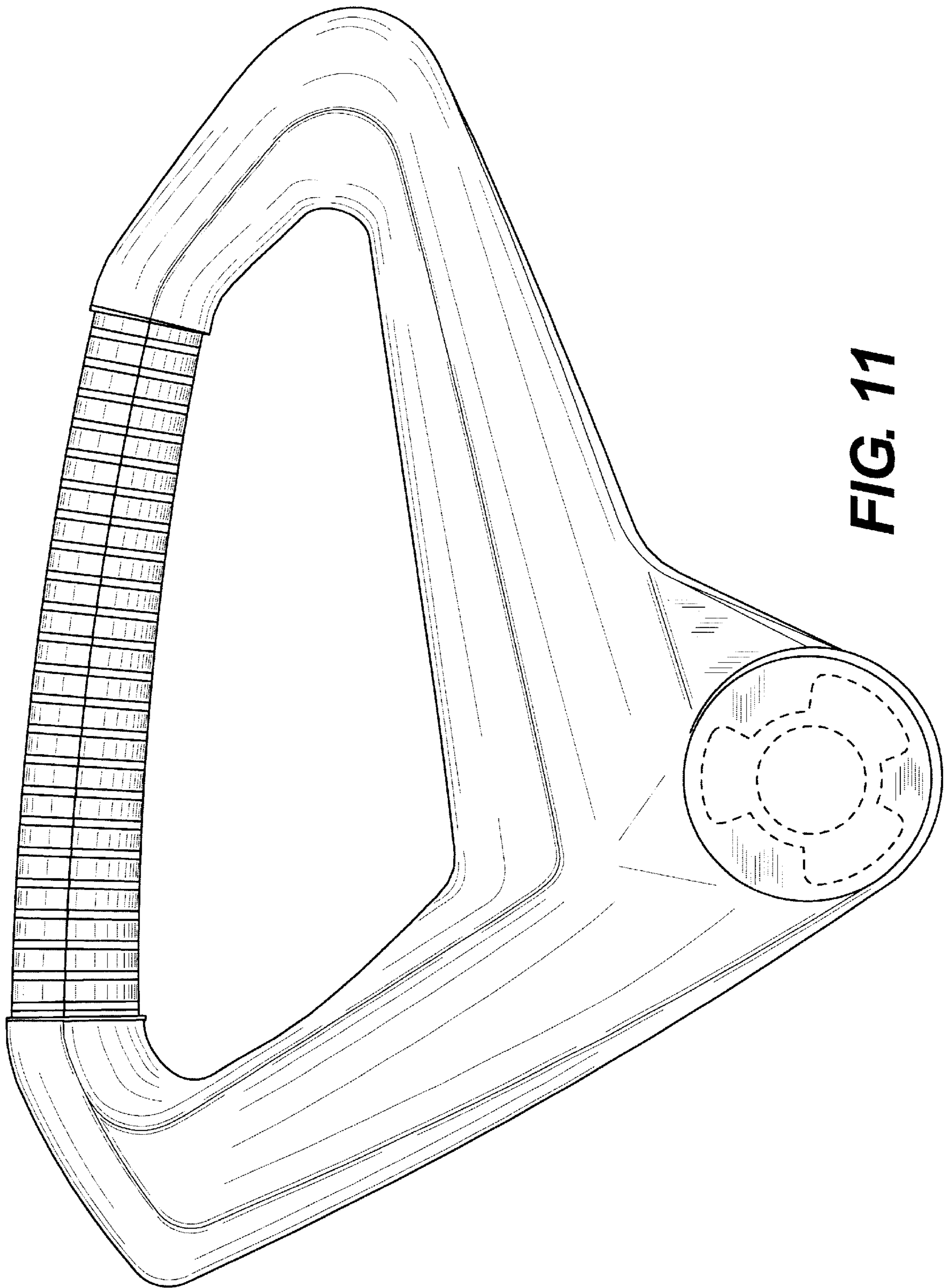


FIG. 11

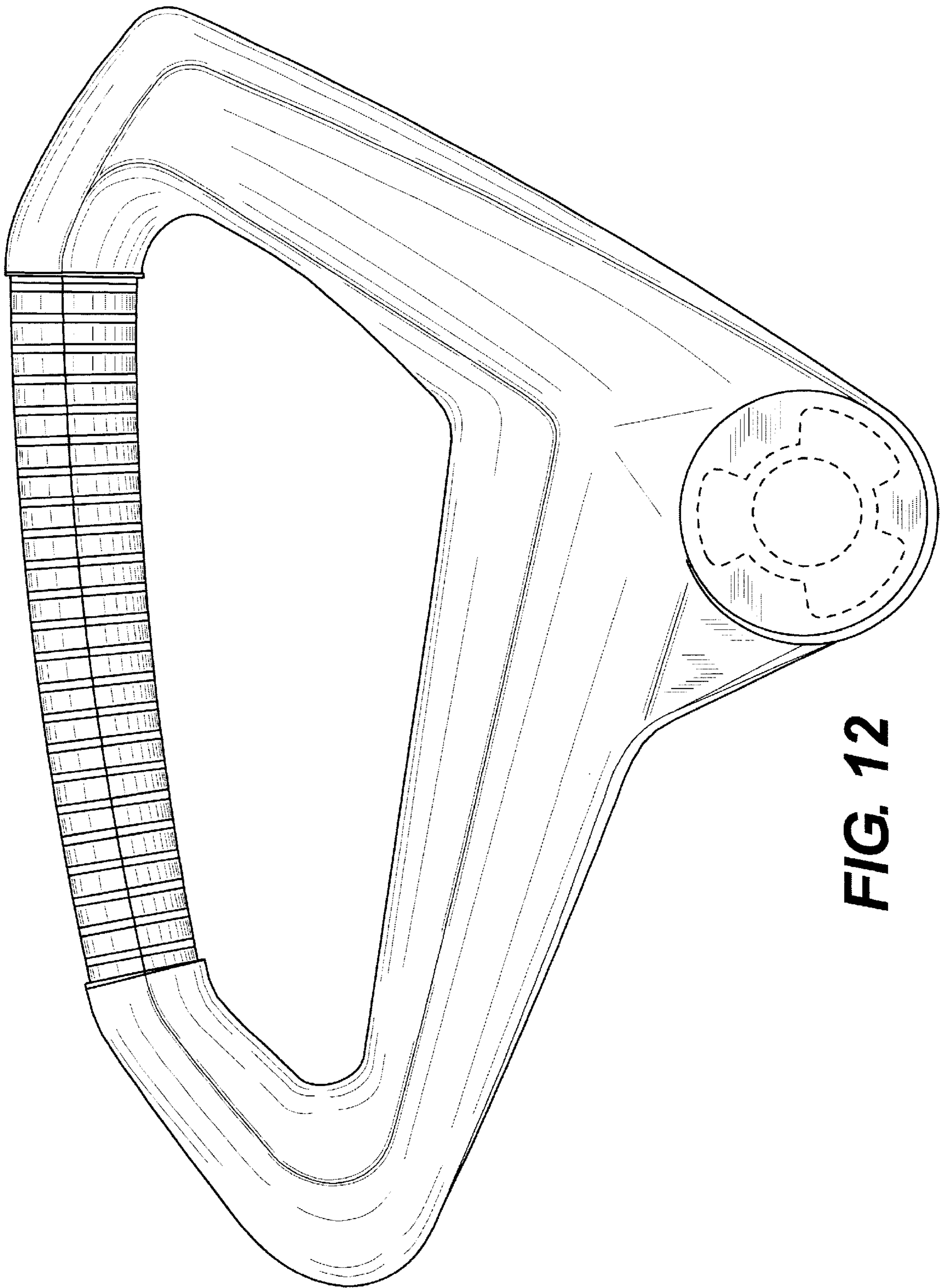


FIG. 12

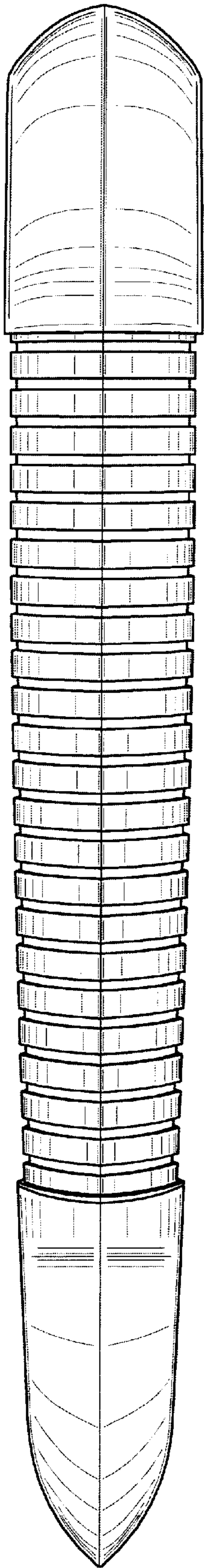


FIG. 13

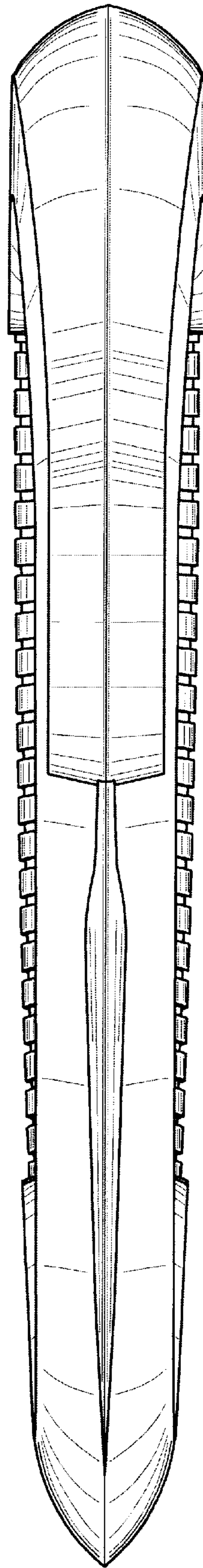


FIG. 14

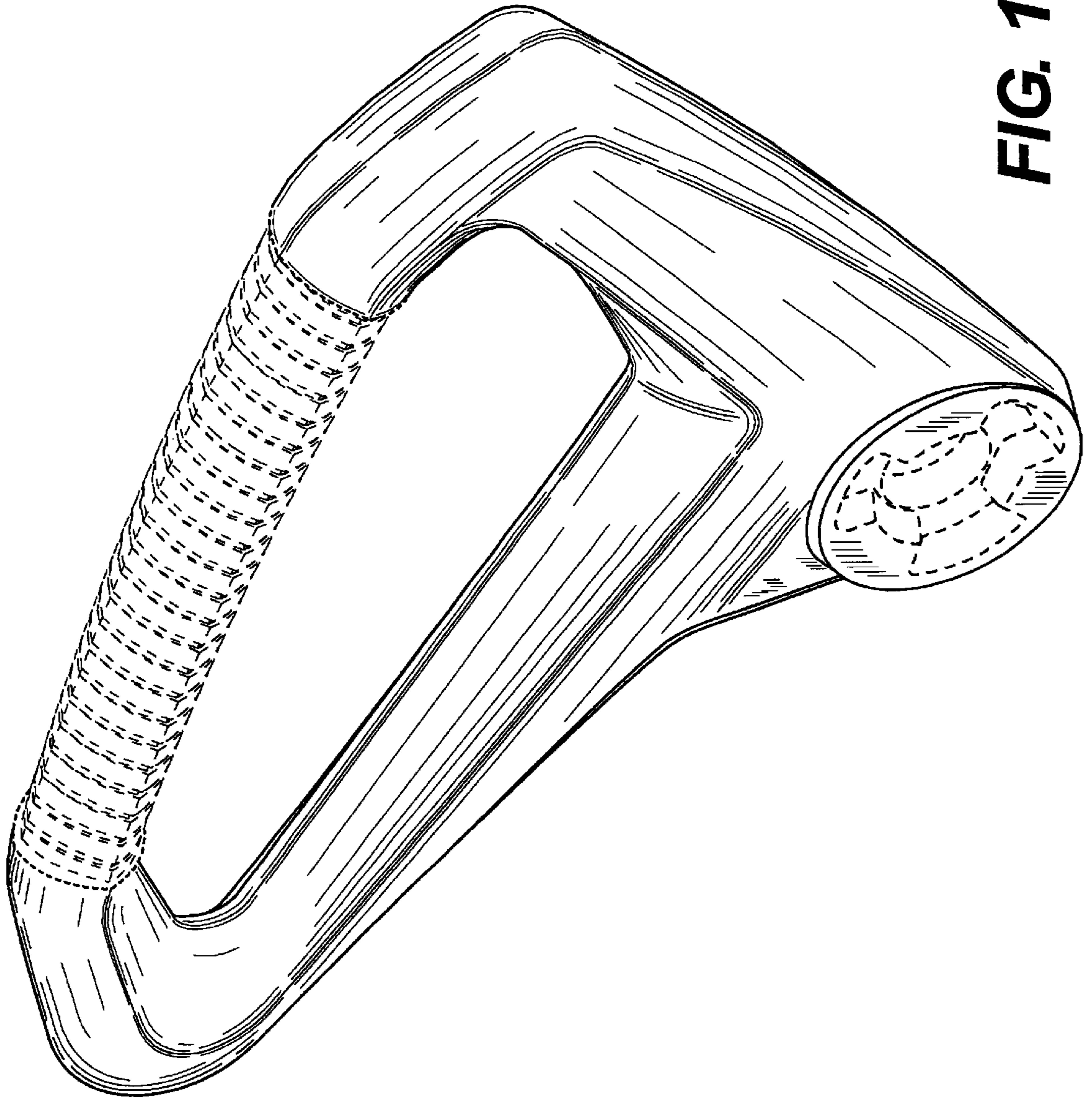


FIG. 15

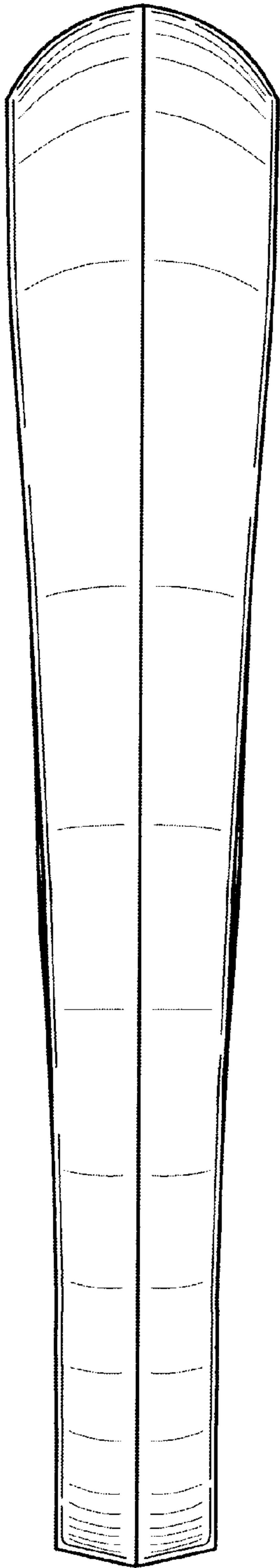


FIG. 16

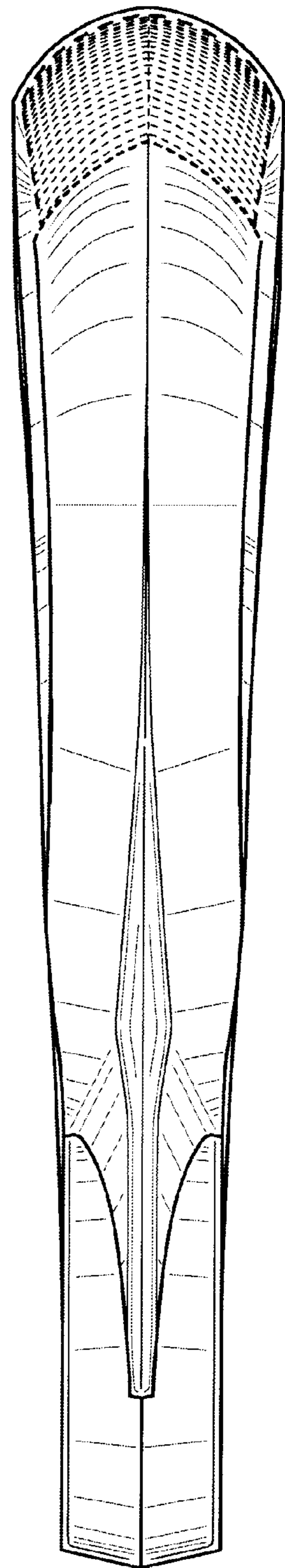


FIG. 17

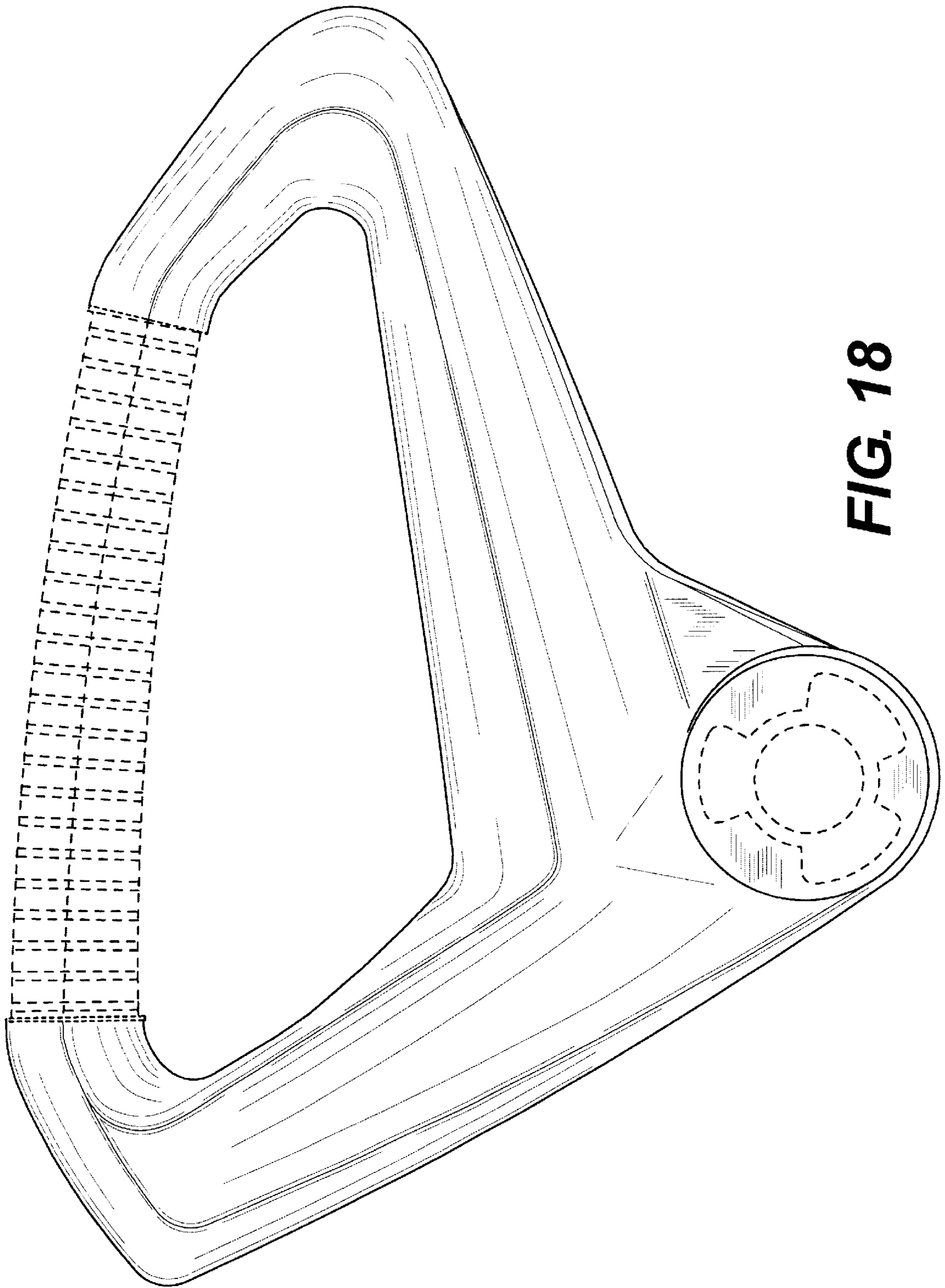


FIG. 18

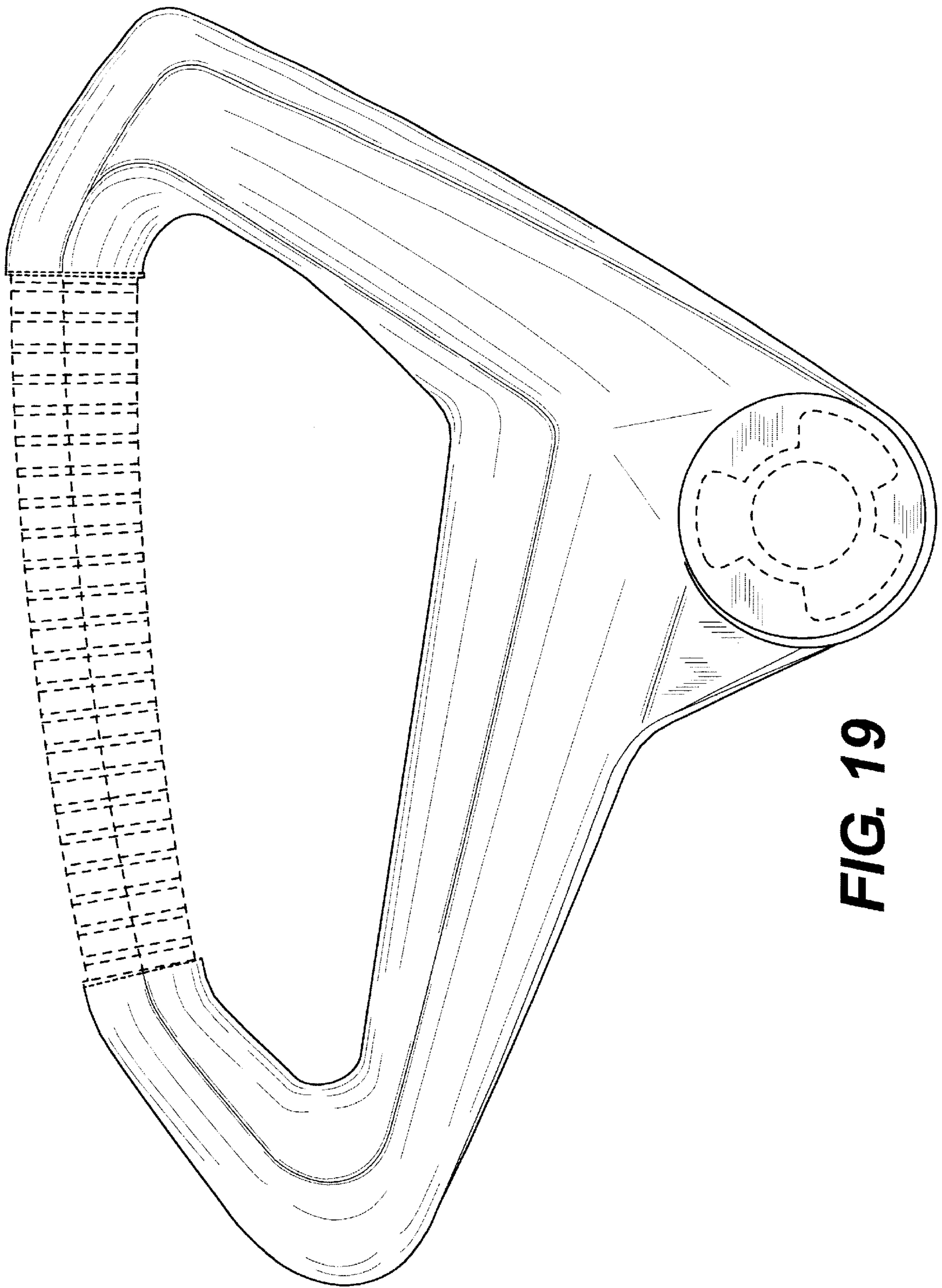


FIG. 19

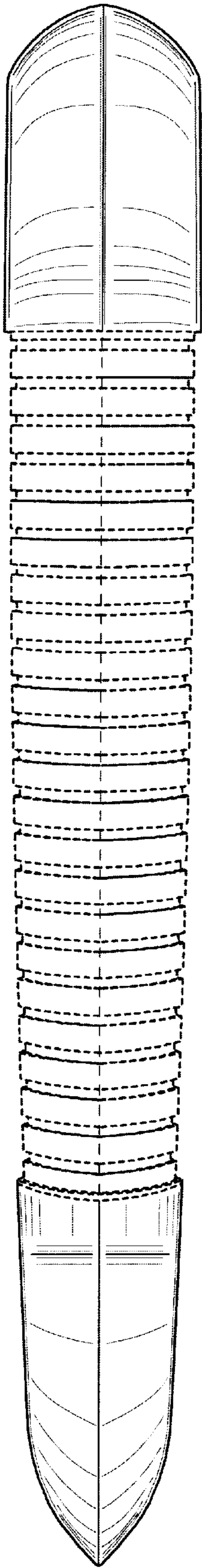


FIG. 20

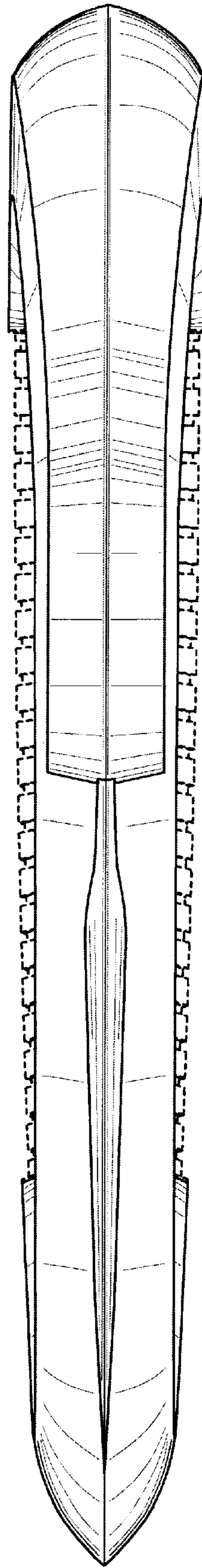


FIG. 21