



US00D466783S

(12) **United States Design Patent** (10) **Patent No.:** **US D466,783 S**
Jamra et al. (45) **Date of Patent:** **** Dec. 10, 2002**

(54) **HOUSING FOR A POWER TOOL**
(75) Inventors: **James A. Jamra**, Madison, CT (US);
Peter A. Rosa, Madison, CT (US);
Marvin W. Burkhalter, III, Mystic, CT (US)
(73) Assignee: **Titan Technologies International, Inc.**,
Madison, CT (US)
(**) Term: **14 Years**

(21) Appl. No.: **29/134,190**
(22) Filed: **Dec. 15, 2000**

(51) **LOC (7) Cl.** **08-05**
(52) **U.S. Cl.** **D8/70**
(58) **Field of Search** D8/70, 14, 61-69,
D8/90-94; D15/122, 126, 138; 81/54, 57.13,
57.4, 57.39; 173/169, 170, 213, 216, 217;
200/332.2; 408/124, 125

(56) **References Cited**
U.S. PATENT DOCUMENTS

D197,667 S * 3/1964 Gubbins D8/69
D255,034 S * 5/1980 Welsch et al. D15/126
D263,744 S * 4/1982 Straub D8/66
D265,172 S * 6/1982 Fleckenstein et al. D8/62
D276,128 S * 10/1984 Lee D8/84
D278,971 S * 5/1985 Smith et al. D8/68
D289,136 S * 4/1987 Doman D8/68
D297,908 S * 10/1988 Huber D15/126

5,003,847 A * 4/1991 Wagner 81/57.39
D319,956 S * 9/1991 Barrault D8/69
RE33,951 E * 6/1992 Junkers 81/6
D348,815 S * 7/1994 Morey D8/70
D361,252 S * 8/1995 De Neegaard et al. D8/69
D392,532 S * 3/1998 Shiao D8/70
D392,862 S * 3/1998 Kaiser et al. D8/68
D413,244 S * 8/1999 Robson D8/69
D420,267 S * 2/2000 Robson D8/70

* cited by examiner

Primary Examiner—Doris V. Coles
Assistant Examiner—T. Chase Nelson
(74) *Attorney, Agent, or Firm*—Bachman & LaPointe, P.C.

(57) **CLAIM**

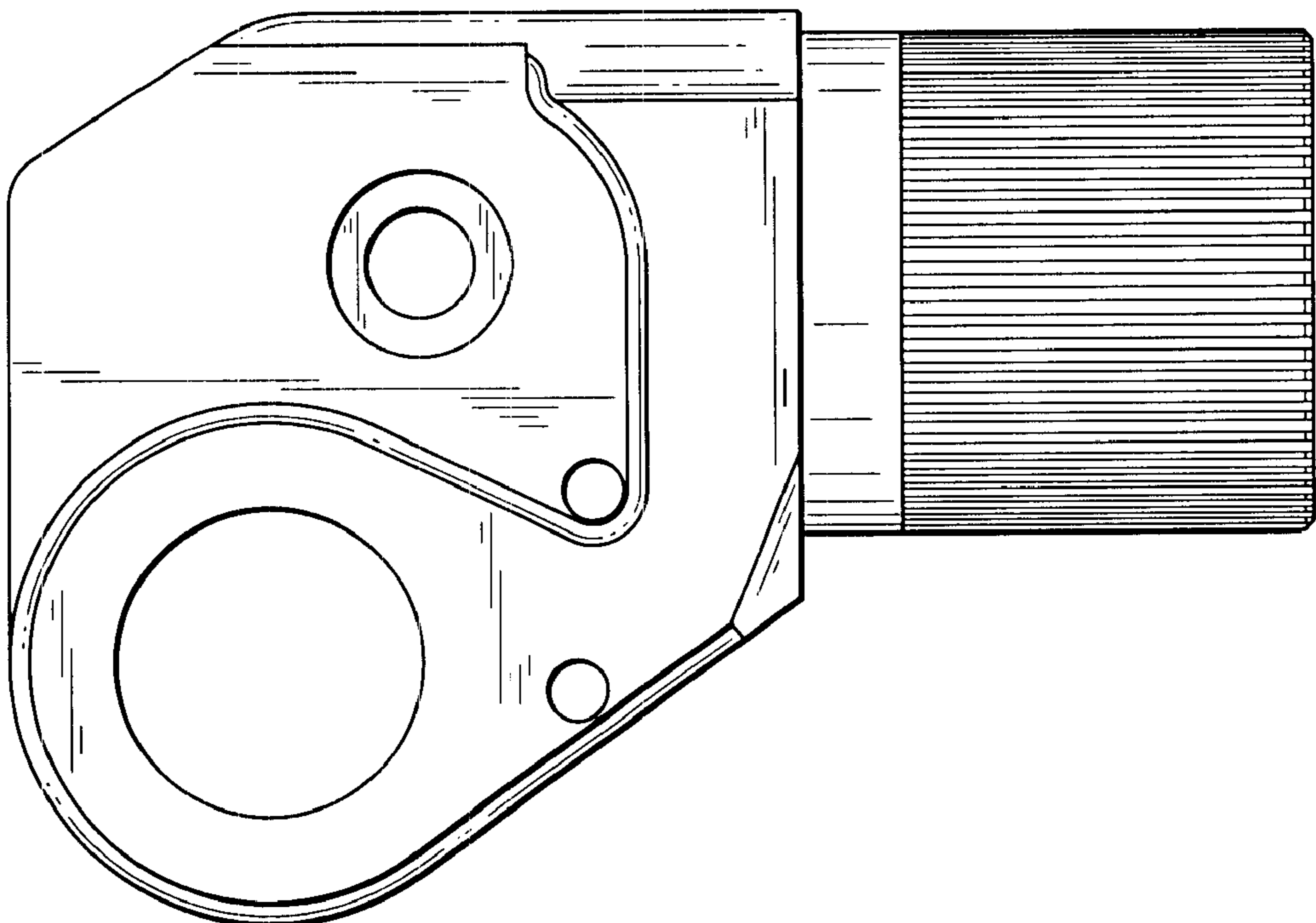
The ornamental design for a housing for a power tool, as shown and described.

DESCRIPTION

FIG 1 is a front elevational view of a housing for a power tool showing the new design of the present invention; FIG. 2 is a rear elevational view thereof; FIG. 3 is a right end view thereof, which view is a mirror image of the left end view thereof; FIG. 4 is a top plan view thereof; and, FIG. 5 is a bottom elevational view thereof.

The broken line showing of environmental structure is for illustrative purposes only and forms no part of the claimed design.

1 Claim, 2 Drawing Sheets



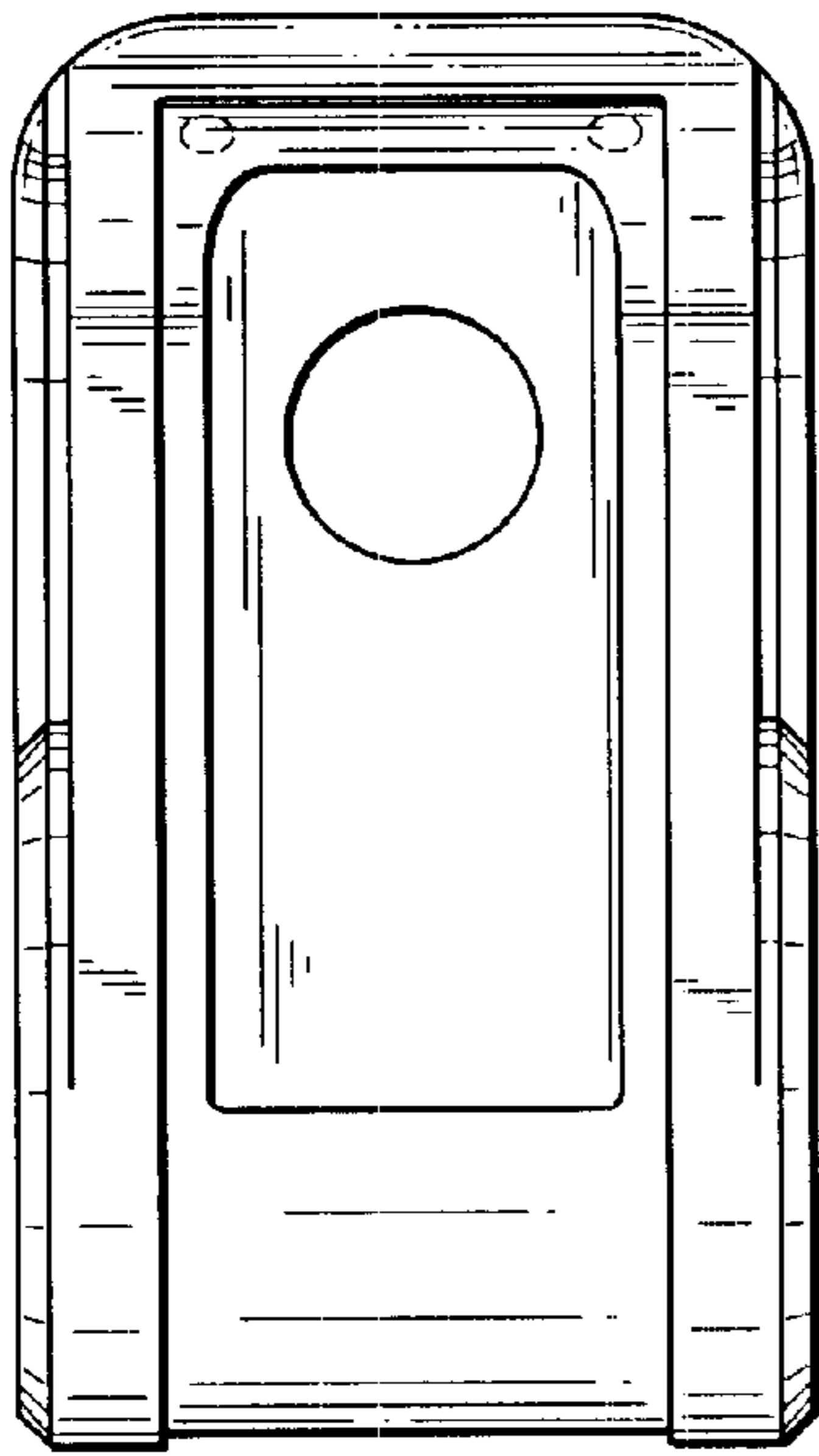


FIG. 1

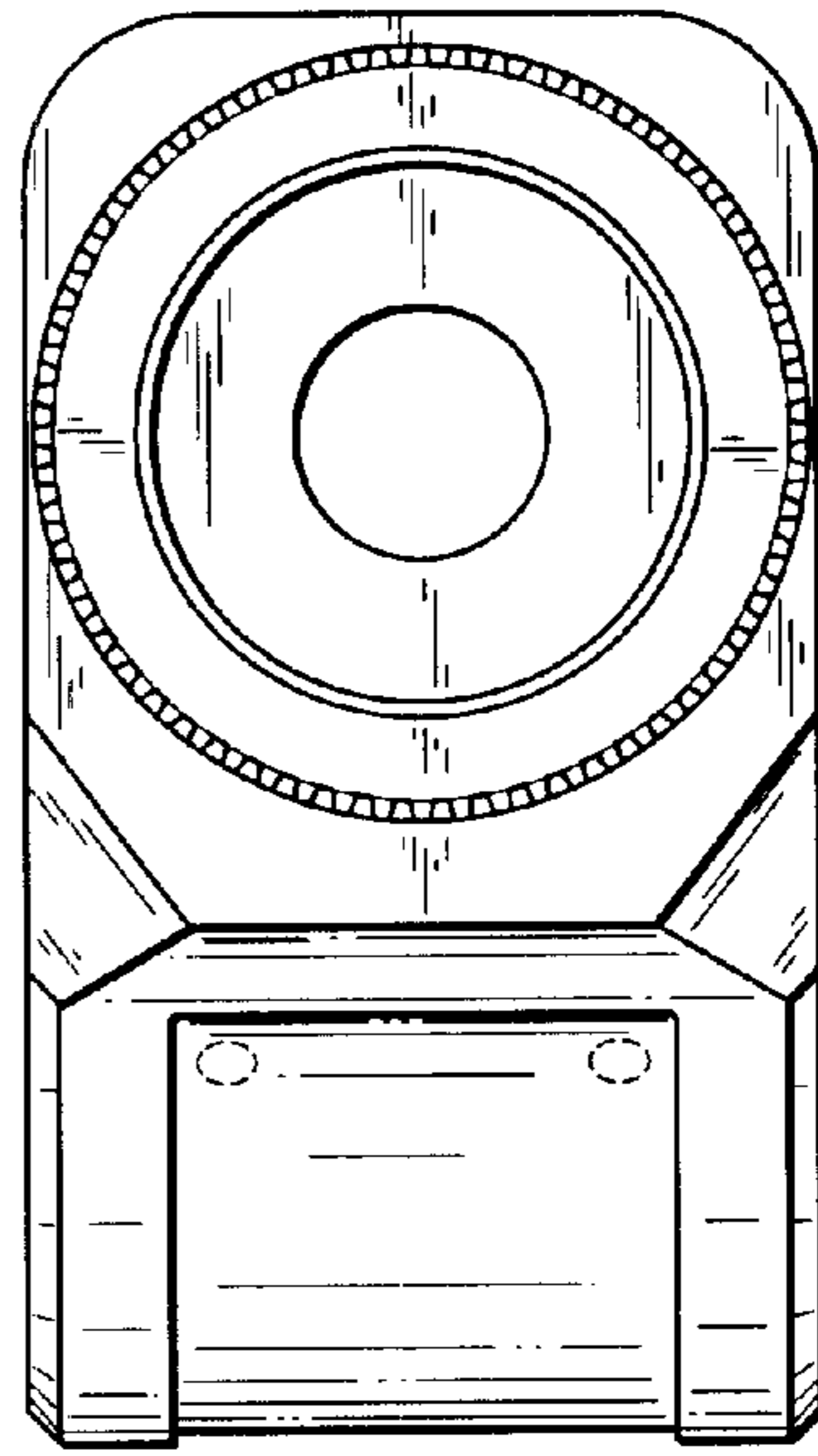


FIG. 2

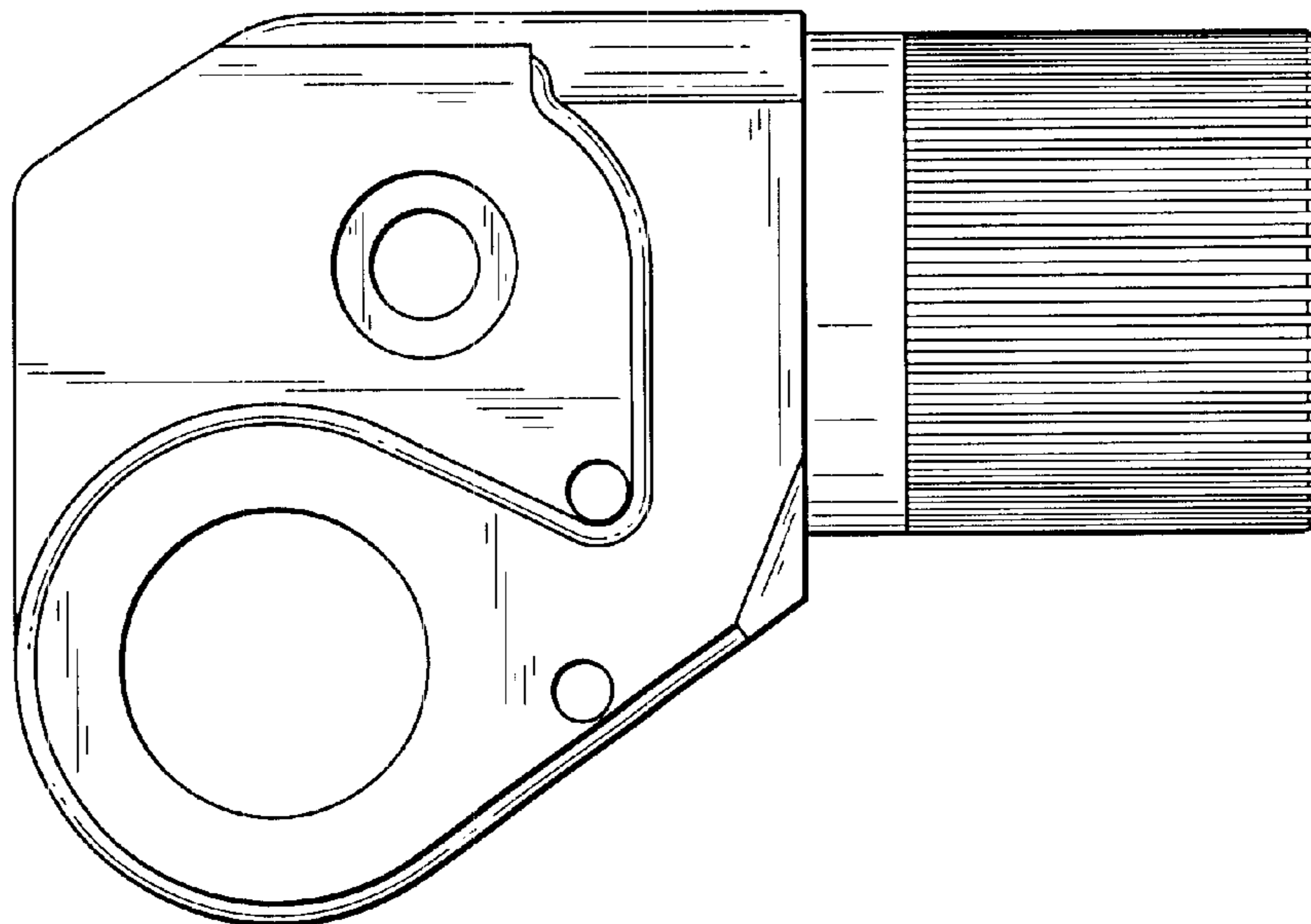


FIG. 3

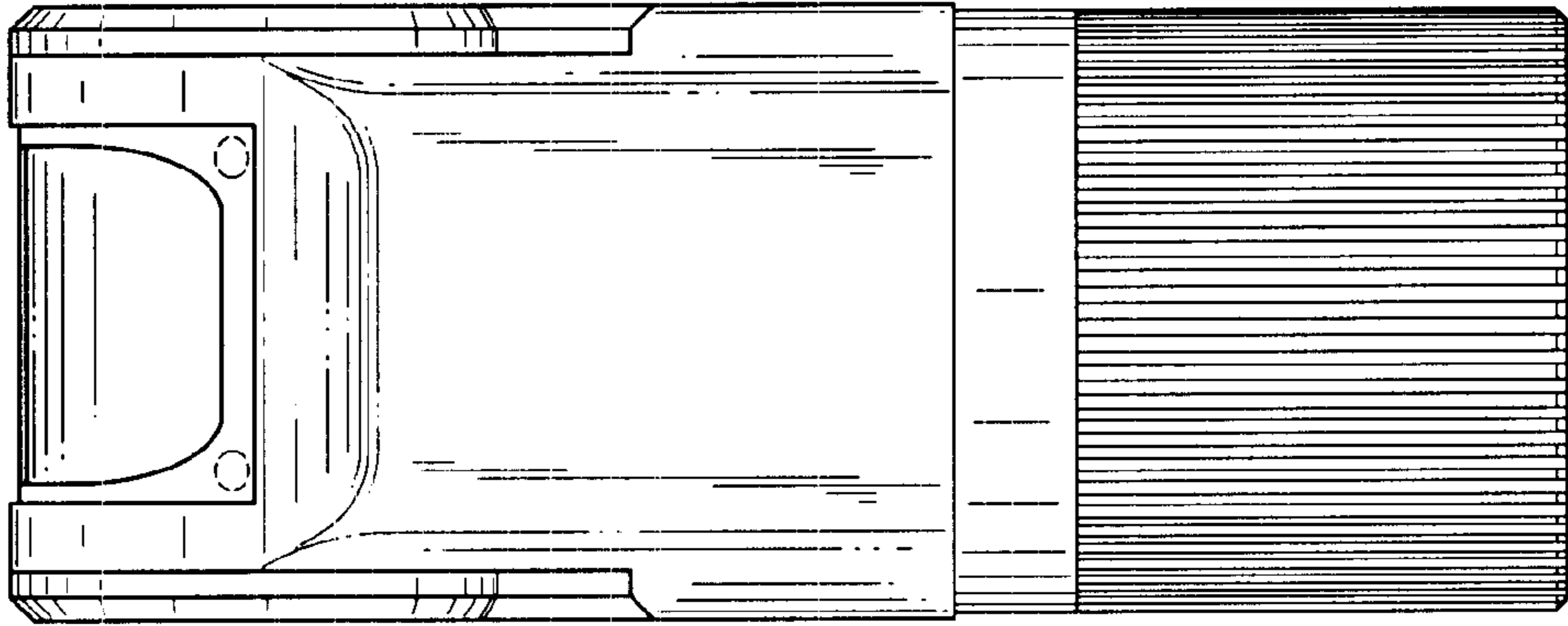


FIG. 4

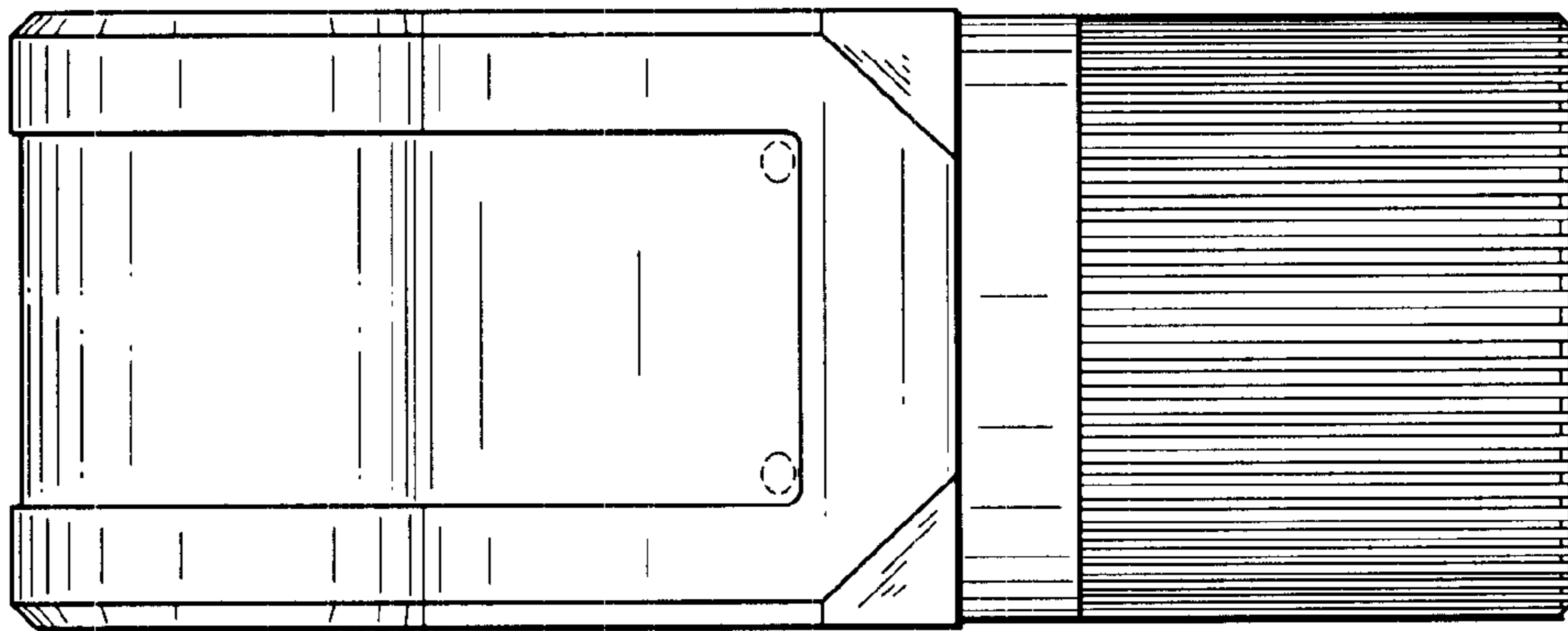


FIG. 5