



US00D466782S

(12) **United States Design Patent**
Zurwelle et al.

(10) **Patent No.:** **US D466,782 S**

(45) **Date of Patent:** **** Dec. 10, 2002**

(54) **CIRCULAR SAW PORTION**

(75) Inventors: **Donald W. Zurwelle**, Lutherville, MD (US); **Bruce M. Waters**, Lancaster, PA (US); **Brand Hollinger**, Lancaster, PA (US); **Meyric K. Rogers**, Lancaster, PA (US)

(73) Assignee: **Black & Decker Inc.**, Newark, DE (US)

(**) Term: **14 Years**

(21) Appl. No.: **29/132,373**

(22) Filed: **Nov. 8, 2000**

Related U.S. Application Data

(63) Continuation of application No. 29/121,782, filed on Apr. 11, 2002, now Pat. No. Des. 439,483, which is a continuation of application No. 29/112,889, filed on Oct. 26, 1999, now Pat. No. Des. 426,759, which is a continuation of application No. 29/096,998, filed on Nov. 24, 1998, now Pat. No. Des. 421,885, which is a continuation of application No. 29/083,521, filed on Feb. 6, 1998, now Pat. No. Des. 408,248.

(51) **LOC (7) Cl.** **08-05**

(52) **U.S. Cl.** **D8/70**

(58) **Field of Search** D8/66, 70; D15/133; 30/370-377, 388-391

(56) **References Cited**

U.S. PATENT DOCUMENTS

5,005,295 A * 4/1991 Fushiya 30/390
D329,363 S * 9/1992 Sasaki et al. D8/66

* cited by examiner

Primary Examiner—Antoine Duval Davis

(74) *Attorney, Agent, or Firm*—Adan Ayala

(57) **CLAIM**

The ornamental design for a circular saw portion, as shown and described.

DESCRIPTION

FIG. 1 is a right side perspective view from the front of a circular saw portion showing my new design;

FIG. 2 is a right side elevational view of the circular saw portion;

FIG. 3 is a left side elevational view of the circular saw portion;

FIG. 4 is a front elevational view of the circular saw portion;

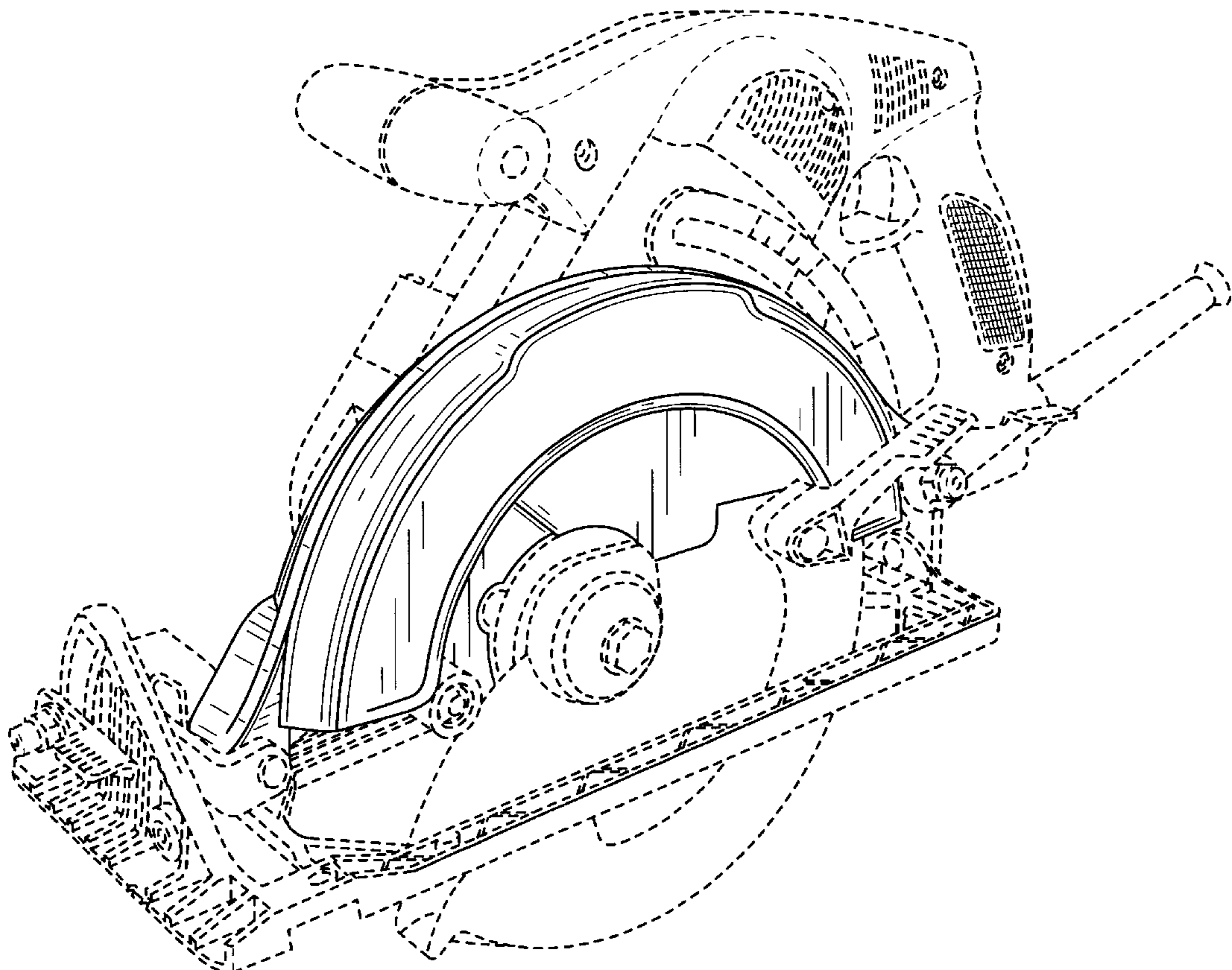
FIG. 5 is a rear elevational view of the circular saw portion;

FIG. 6 is a top plan view of the circular saw portion; and,

FIG. 7 is a bottom plan view of the circular saw portion.

The broken line showing is for illustrative purposes only and forms no part of the claimed design.

1 Claim, 7 Drawing Sheets



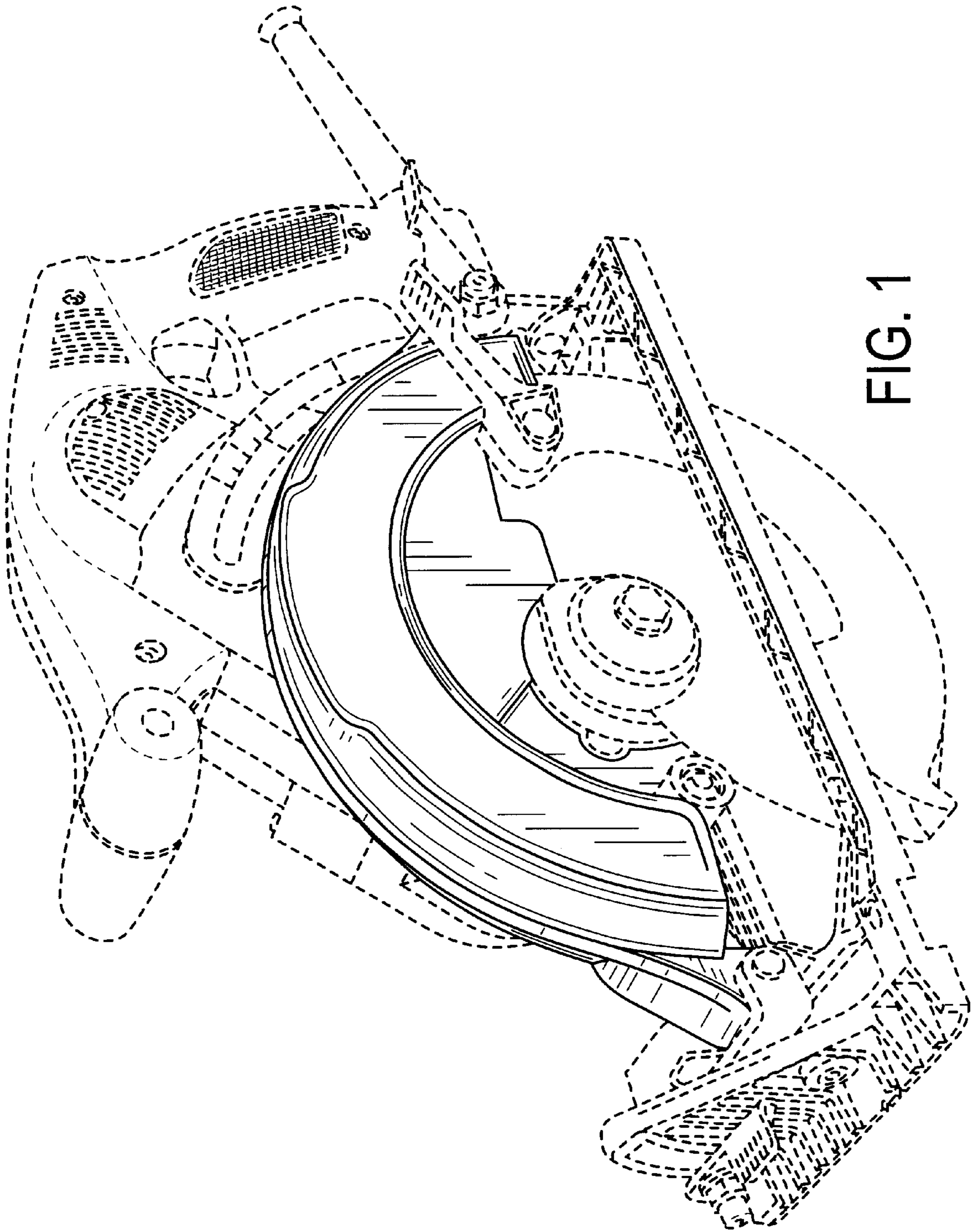


FIG. 1

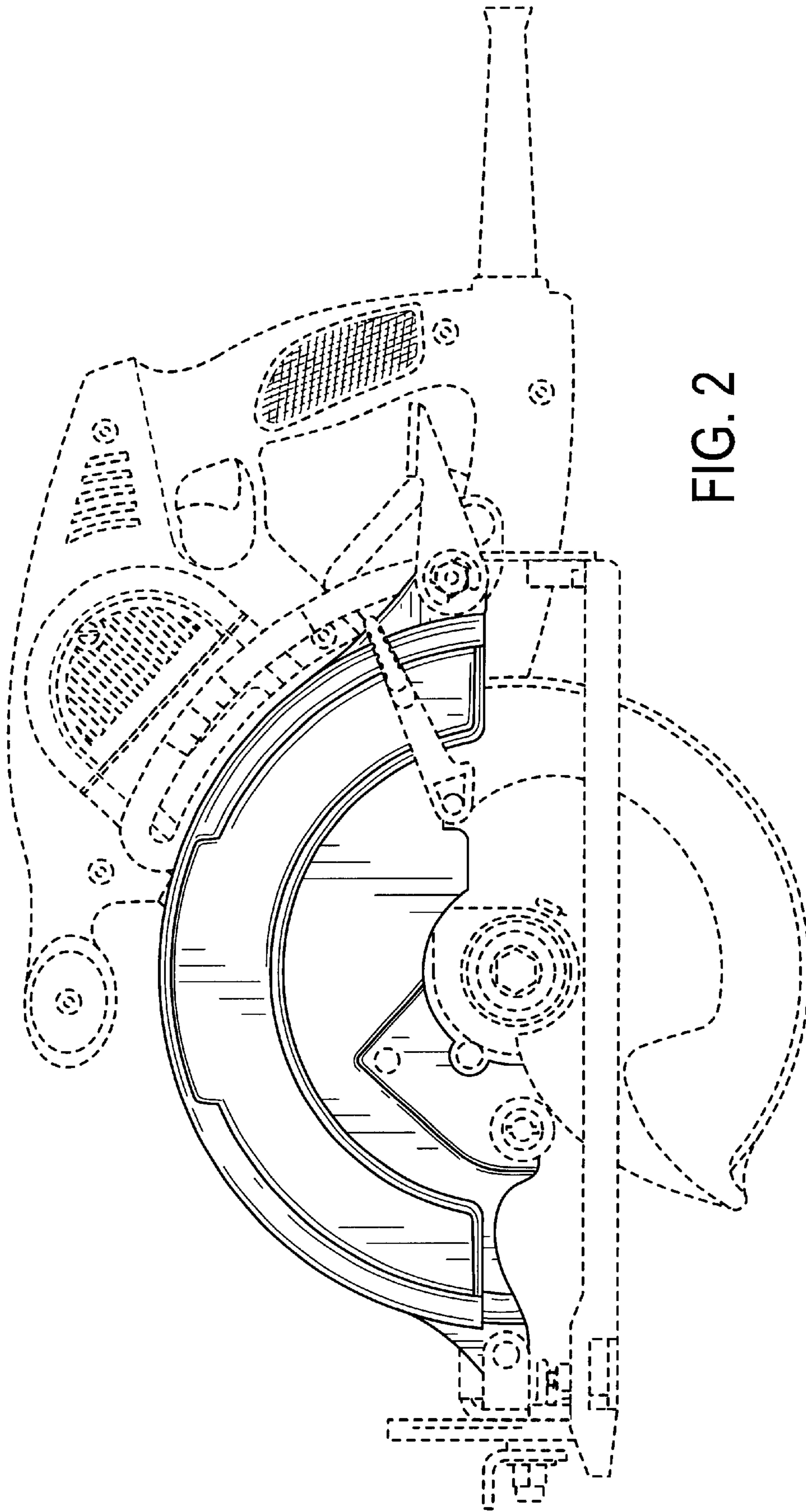


FIG. 2

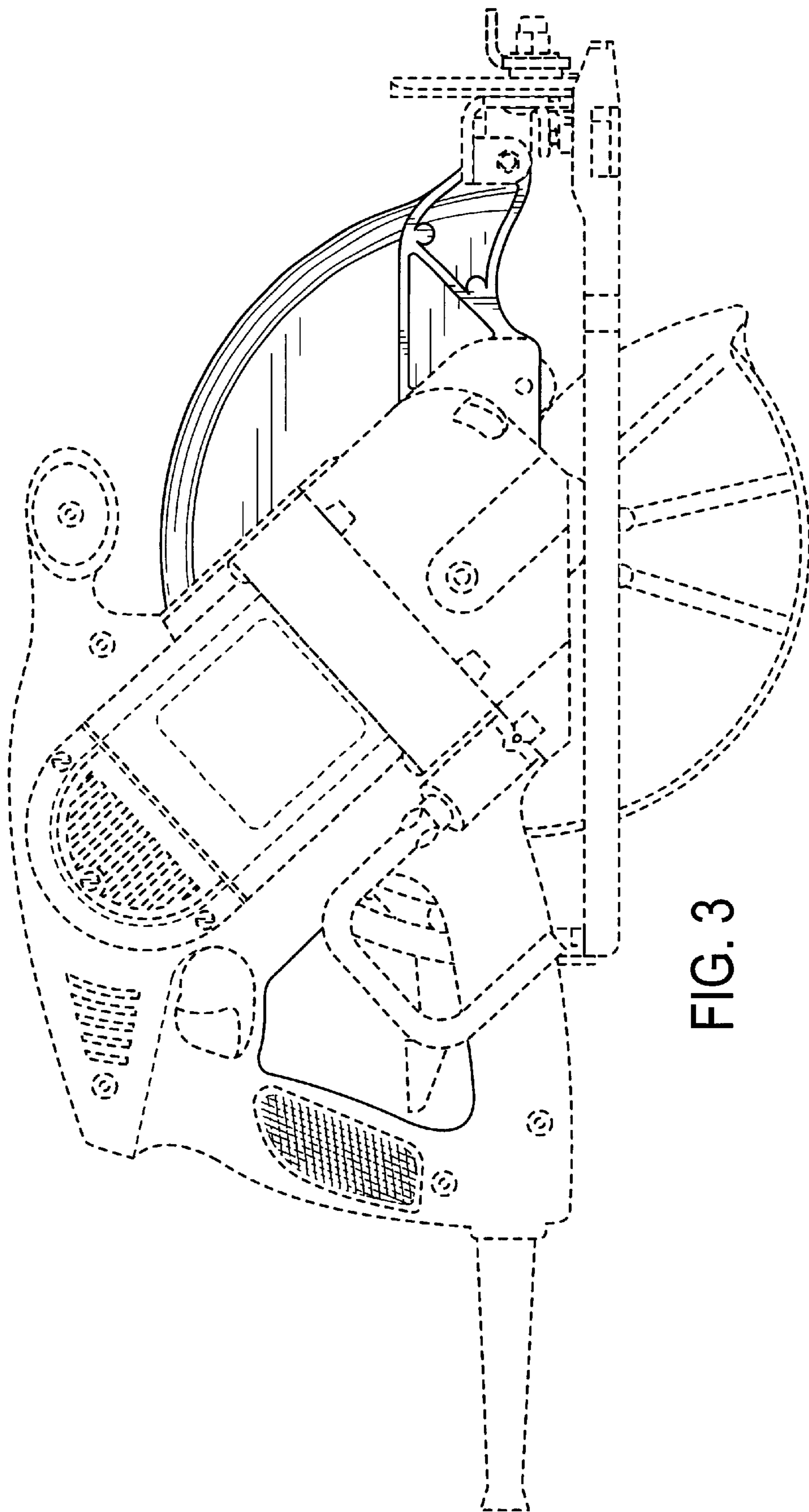


FIG. 3

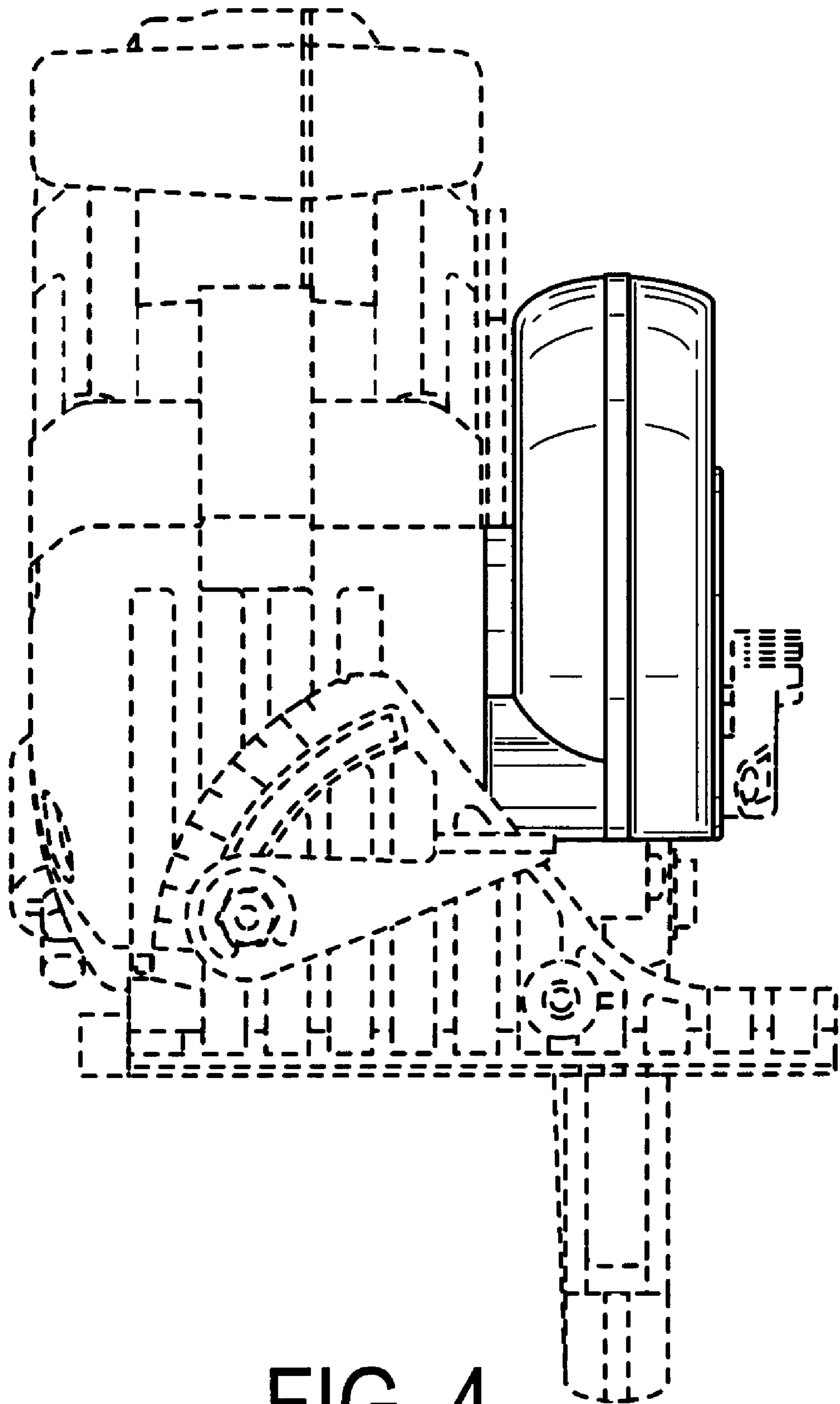


FIG. 4

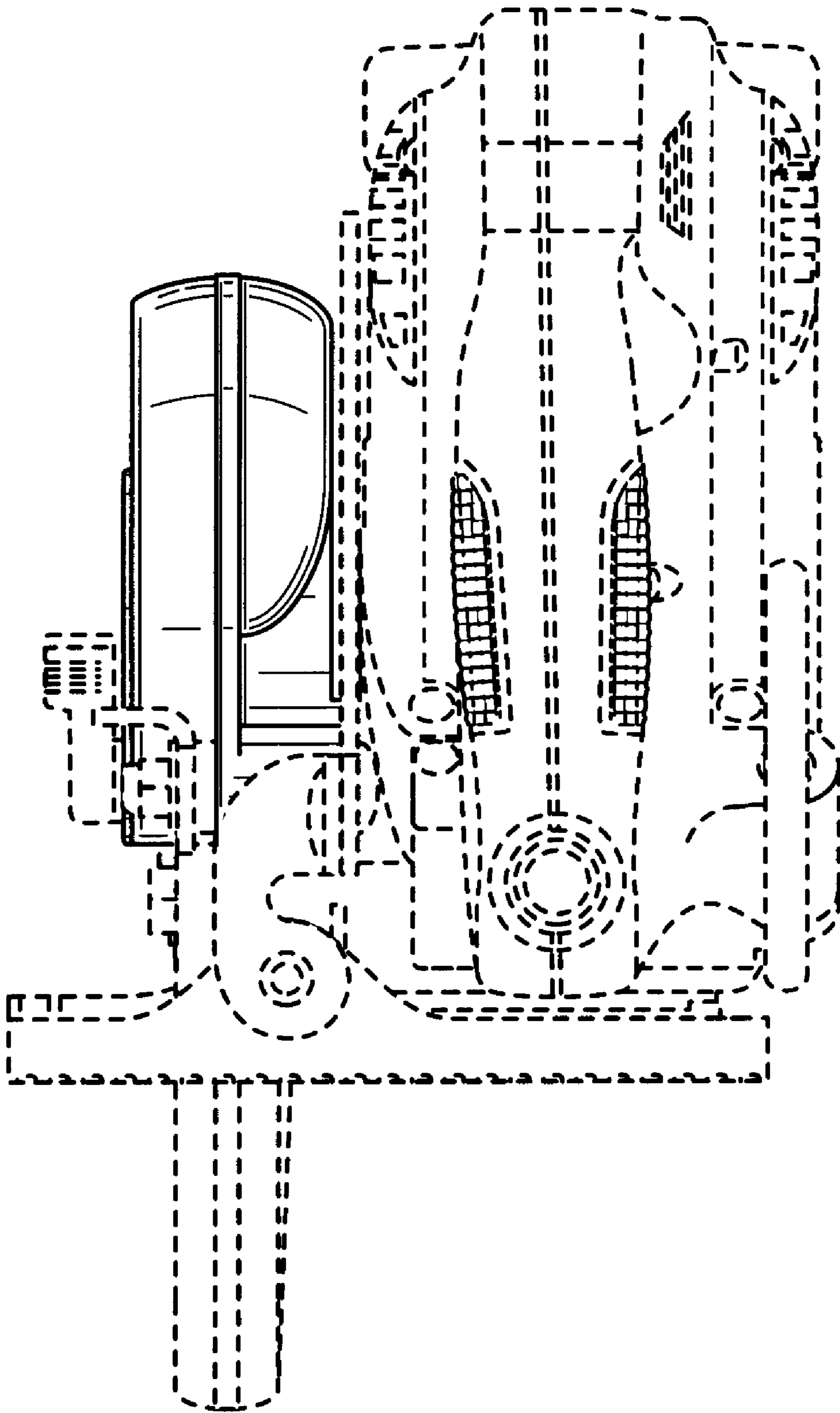


FIG. 5

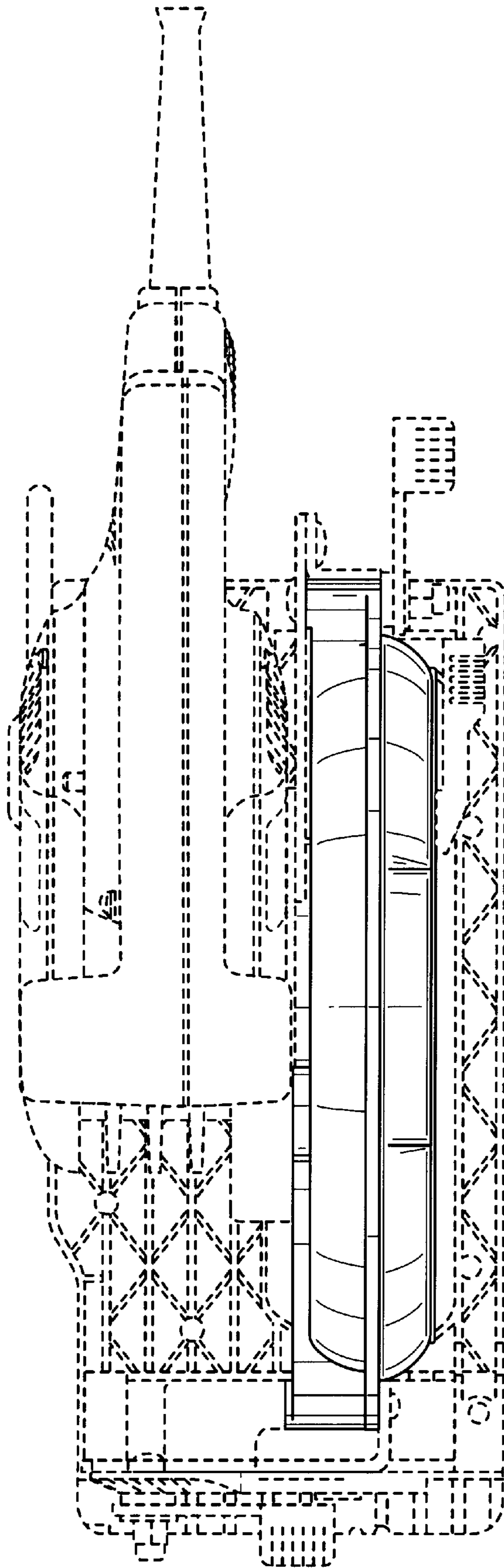


FIG. 6

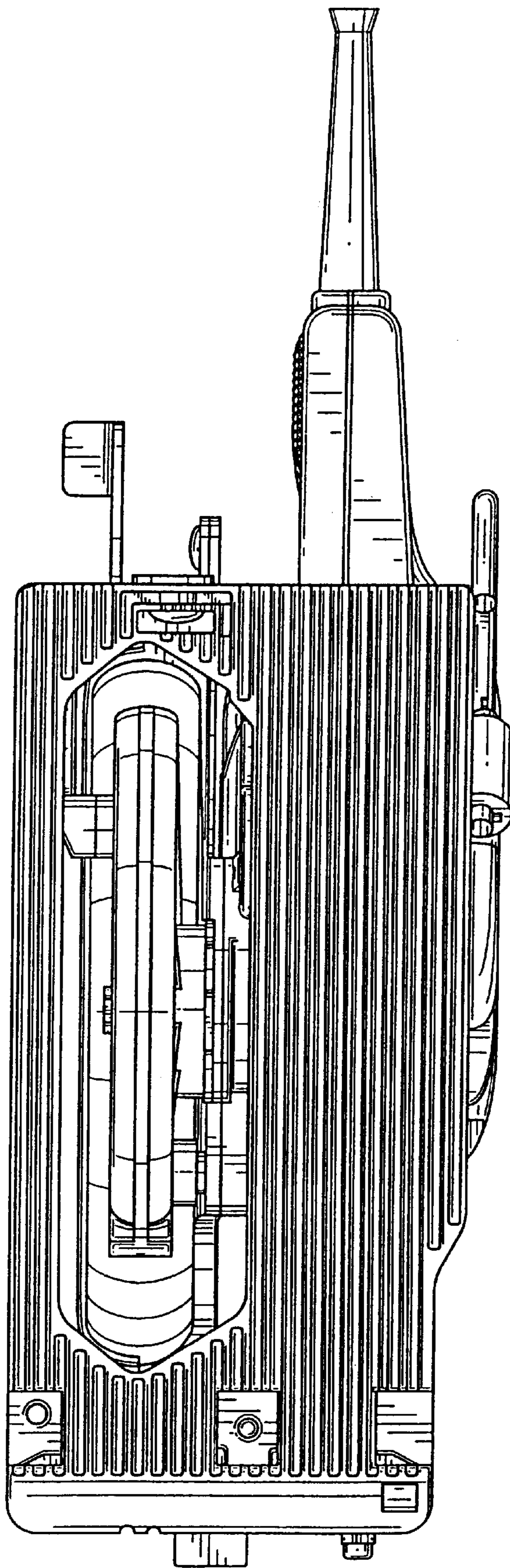


FIG. 7