



US00D466781S

(12) **United States Design Patent**
Matsuoka et al.

(10) **Patent No.: US D466,781 S**

(45) **Date of Patent: ** Dec. 10, 2002**

(54) **PNEUMATIC NAILING MACHINE**

(75) **Inventors: Takeshi Matsuoka, Ibaraki (JP);
Yoshinori Ishizawa, Ibaraki (JP);
Yoshihiro Nakano, Ibaraki (JP)**

(73) **Assignee: Hitachi Koki Co., Ltd., Tokyo (JP)**

(**) **Term: 14 Years**

(21) **Appl. No.: 29/159,586**

(22) **Filed: Apr. 25, 2002**

(30) **Foreign Application Priority Data**

Oct. 26, 2001 (JP) 2001-031484

(51) **LOC (7) Cl. 08-05**

(52) **U.S. Cl. D8/69; D8/68**

(58) **Field of Search D8/61, 62, 63,
D8/64, 65, 66, 67, 68, 69, 70; 81/57.11,
429, 464; 173/48, 109, 169, 178; 227/2,
8, 114, 120, 123, 130, 131, 136, 142; 310/50,
124, 241 R**

(56) **References Cited**

U.S. PATENT DOCUMENTS

D358,749 S	*	5/1995	Matsunaga et al.	D8/69
D377,592 S	*	1/1997	Hattori	D8/69
D379,912 S	*	6/1997	Burke et al.	D8/68
D387,260 S	*	12/1997	Hattori	D8/69
5,715,982 A	*	2/1998	Adachi	227/142

D392,170 S	*	3/1998	Hattori	D8/68
5,842,625 A	*	12/1998	Kimura	227/130
D403,938 S	*	1/1999	Matsuoka et al.	D8/68
D432,882 S	*	10/2000	Matsuoka et al.	D8/68
D435,205 S	*	12/2000	Etter et al	D8/69
6,161,744 A	*	12/2000	Mukoyama et al.	227/130
D435,770 S	*	1/2001	Arai	D8/68
D438,079 S	*	2/2001	Hattori	D8/69
D447,031 S	*	8/2001	Oh	D8/63
6,308,880 B1	*	10/2001	Ronconi	227/136

* cited by examiner

Primary Examiner—Doris V. Coles

Assistant Examiner—T. Chase Nelson

(74) *Attorney, Agent, or Firm*—Sughrue Mion, PLLC

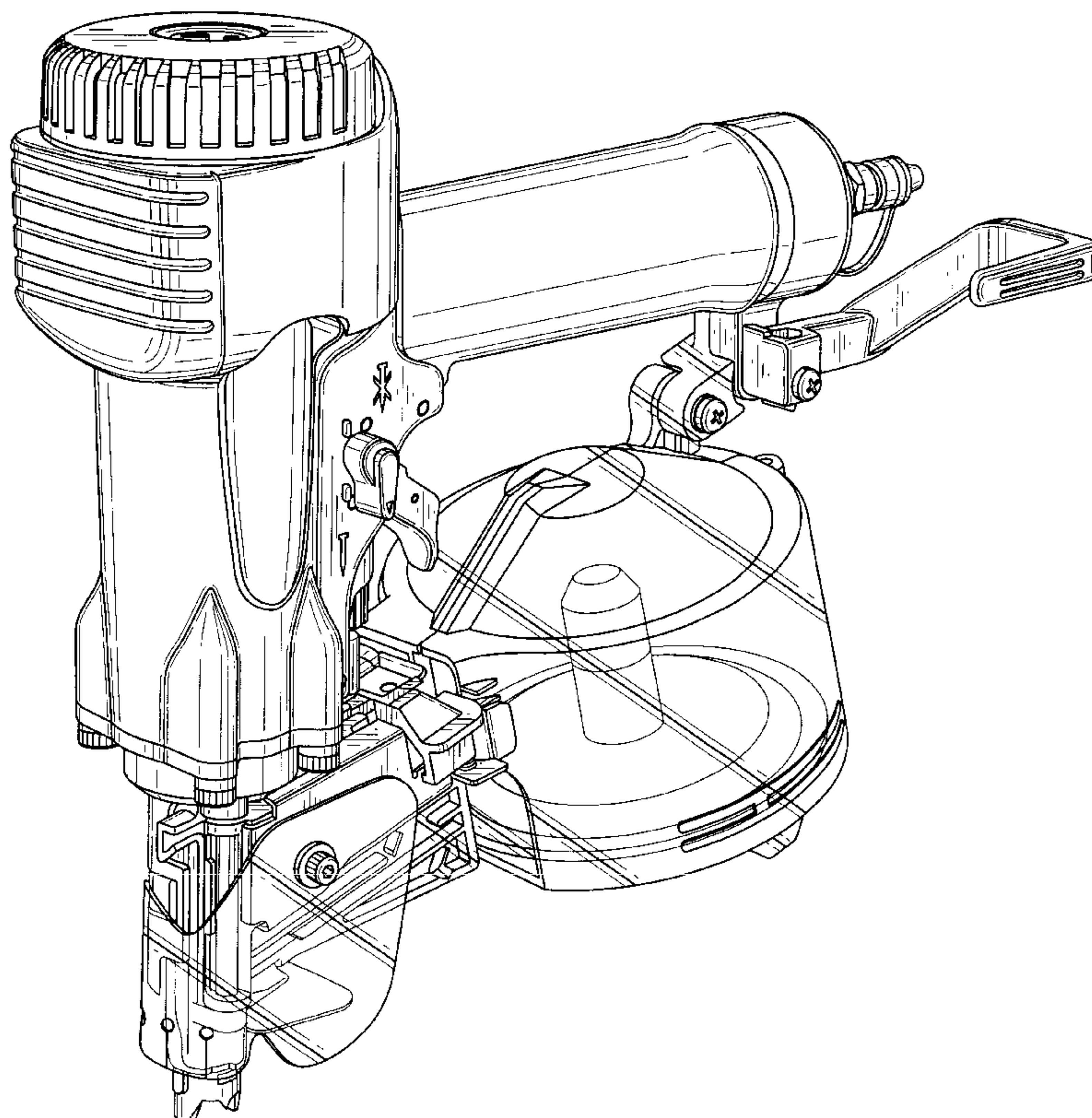
(57) **CLAIM**

The ornamental design for a pneumatic nailing machine, as shown.

DESCRIPTION

FIG. 1 is a perspective view of the top, front and right side of a pneumatic nailing machine showing our new design; FIG. 2 is a right side elevational view thereof; FIG. 3 is a left side elevational view thereof; FIG. 4 is a front elevational view thereof; FIG. 5 is a rear elevational view thereof; FIG. 6 is a top plan view thereof; and, FIG. 7 is a bottom plan view thereof.

1 Claim, 7 Drawing Sheets



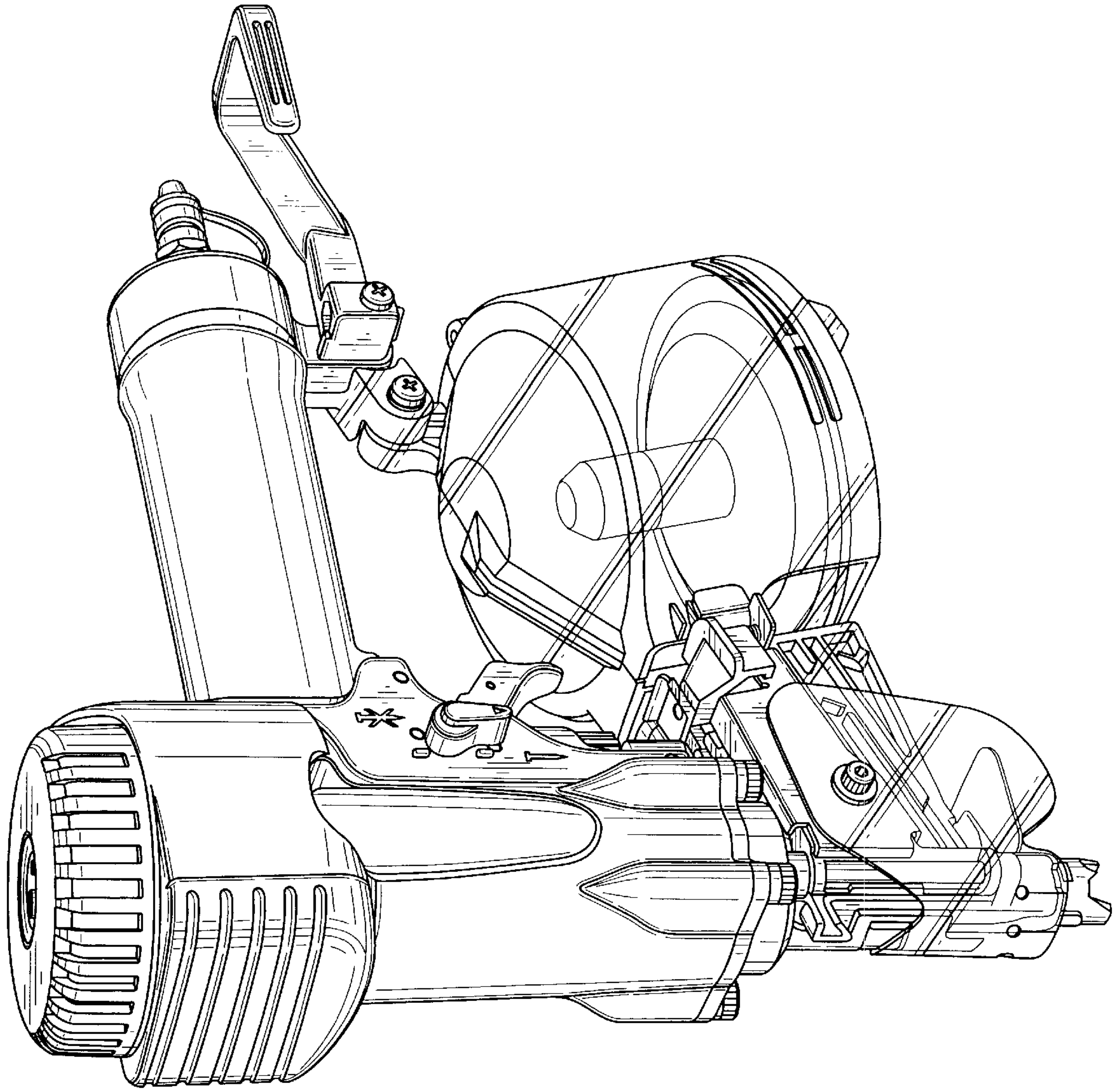


FIG. 1

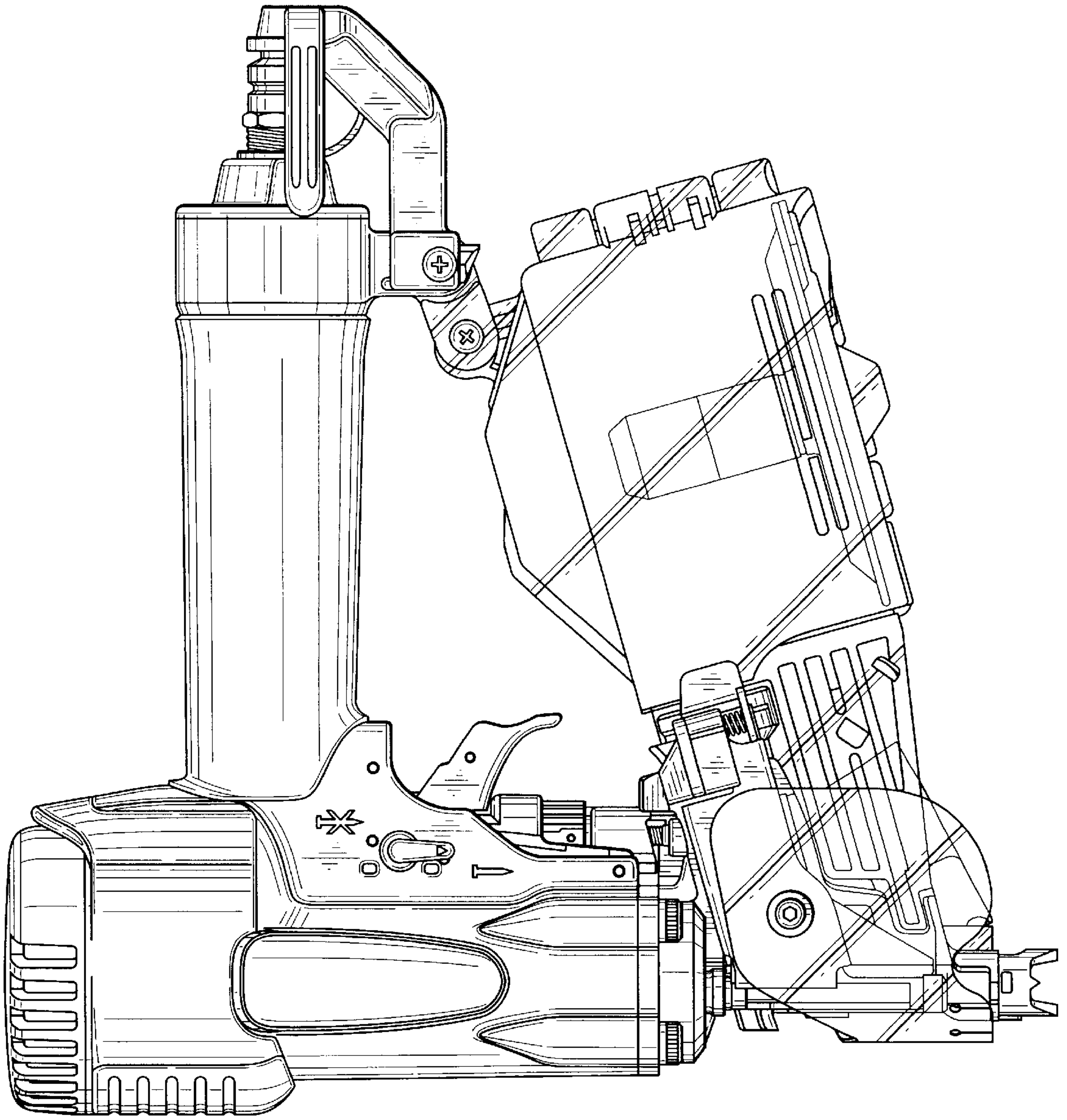


FIG. 2

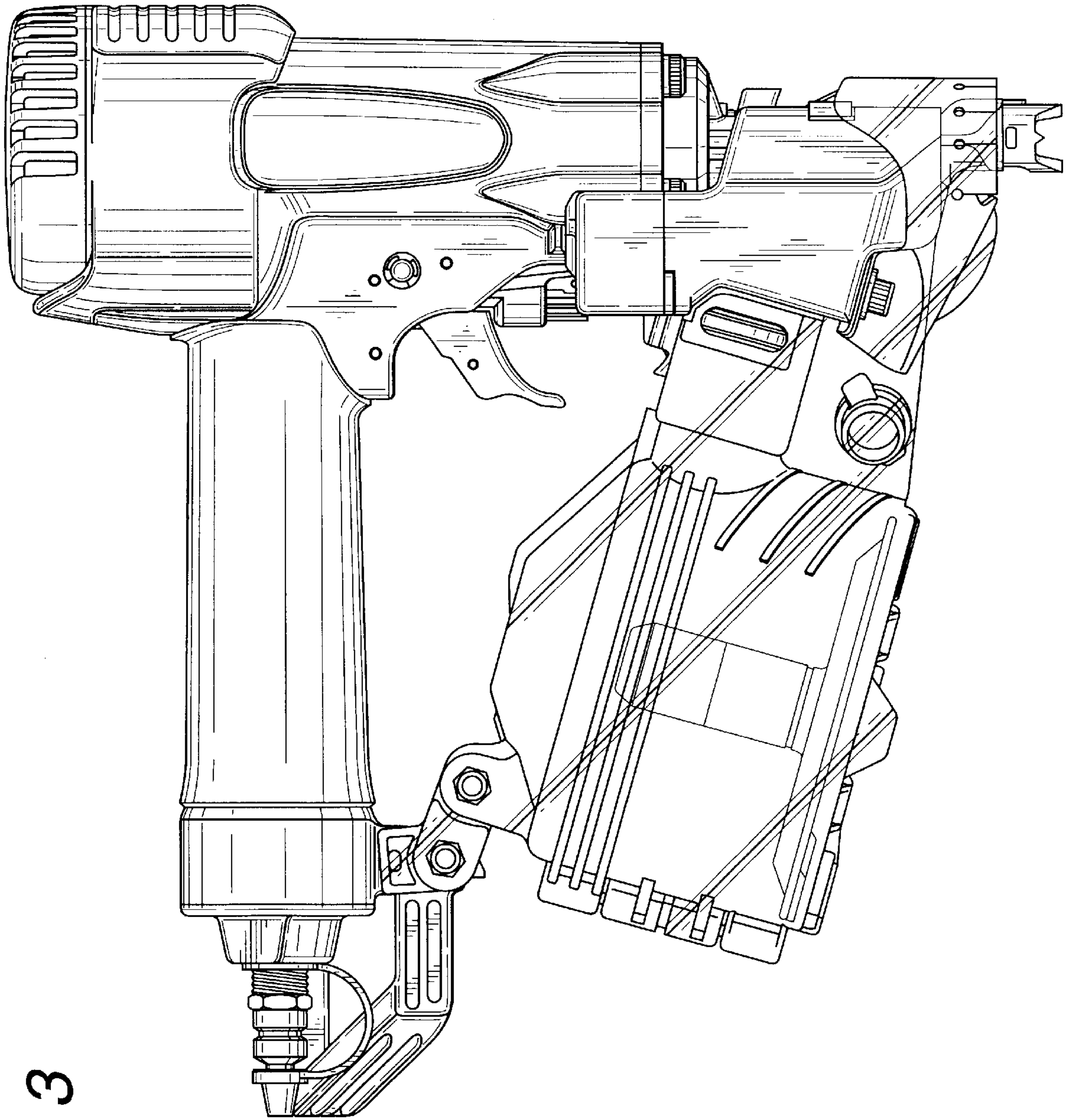


FIG. 3

FIG. 4

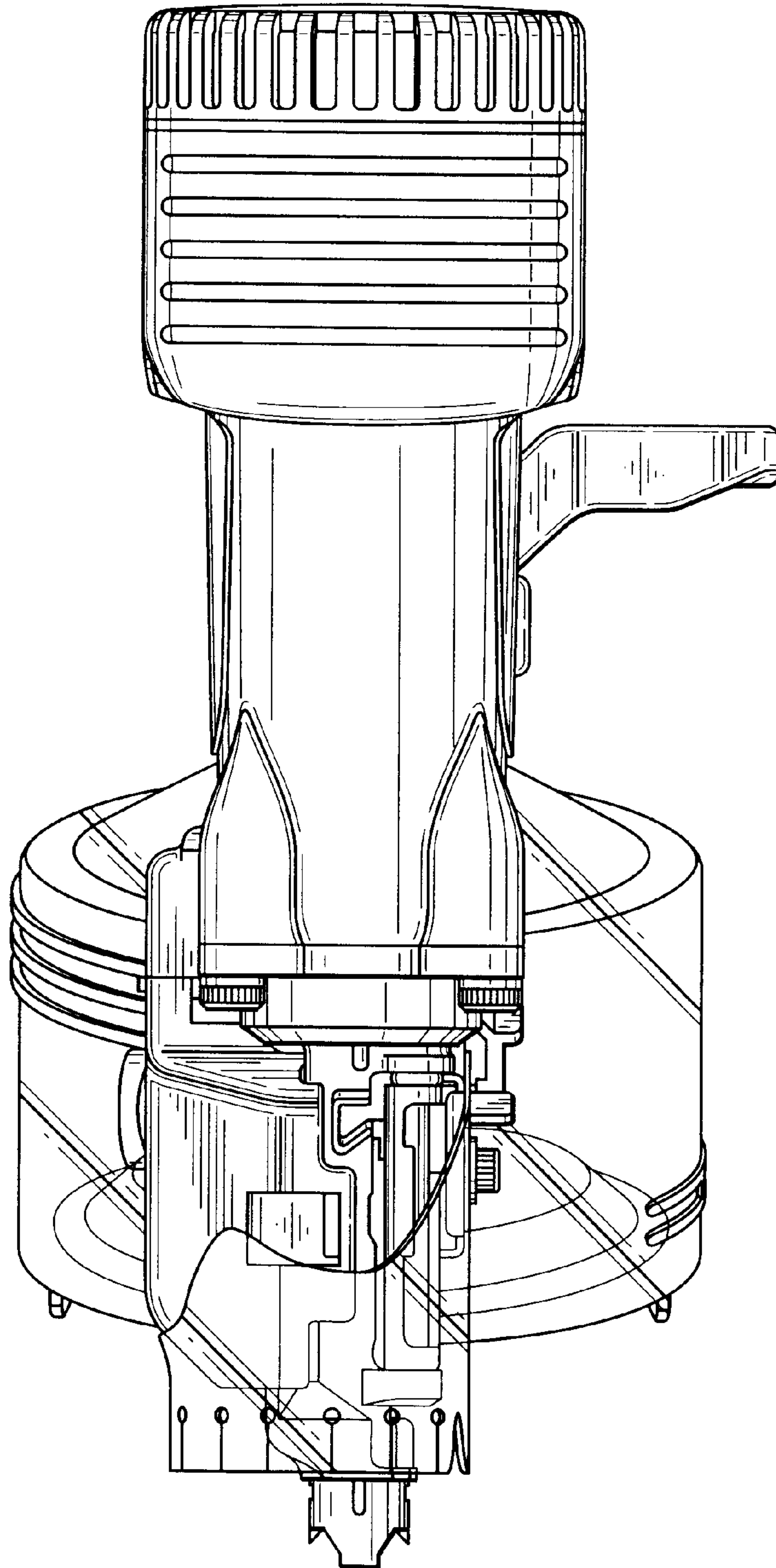


FIG. 5

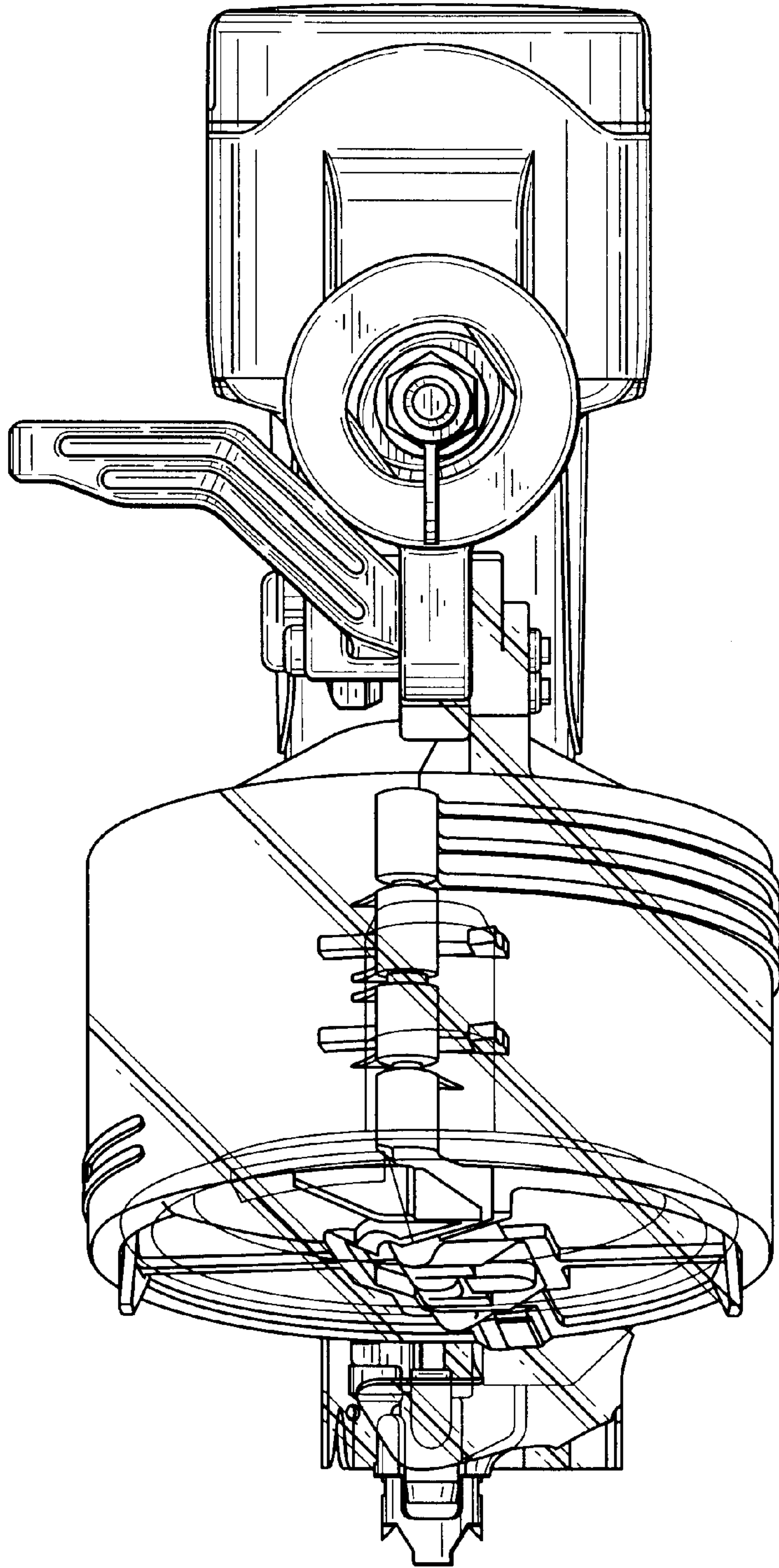


FIG. 6

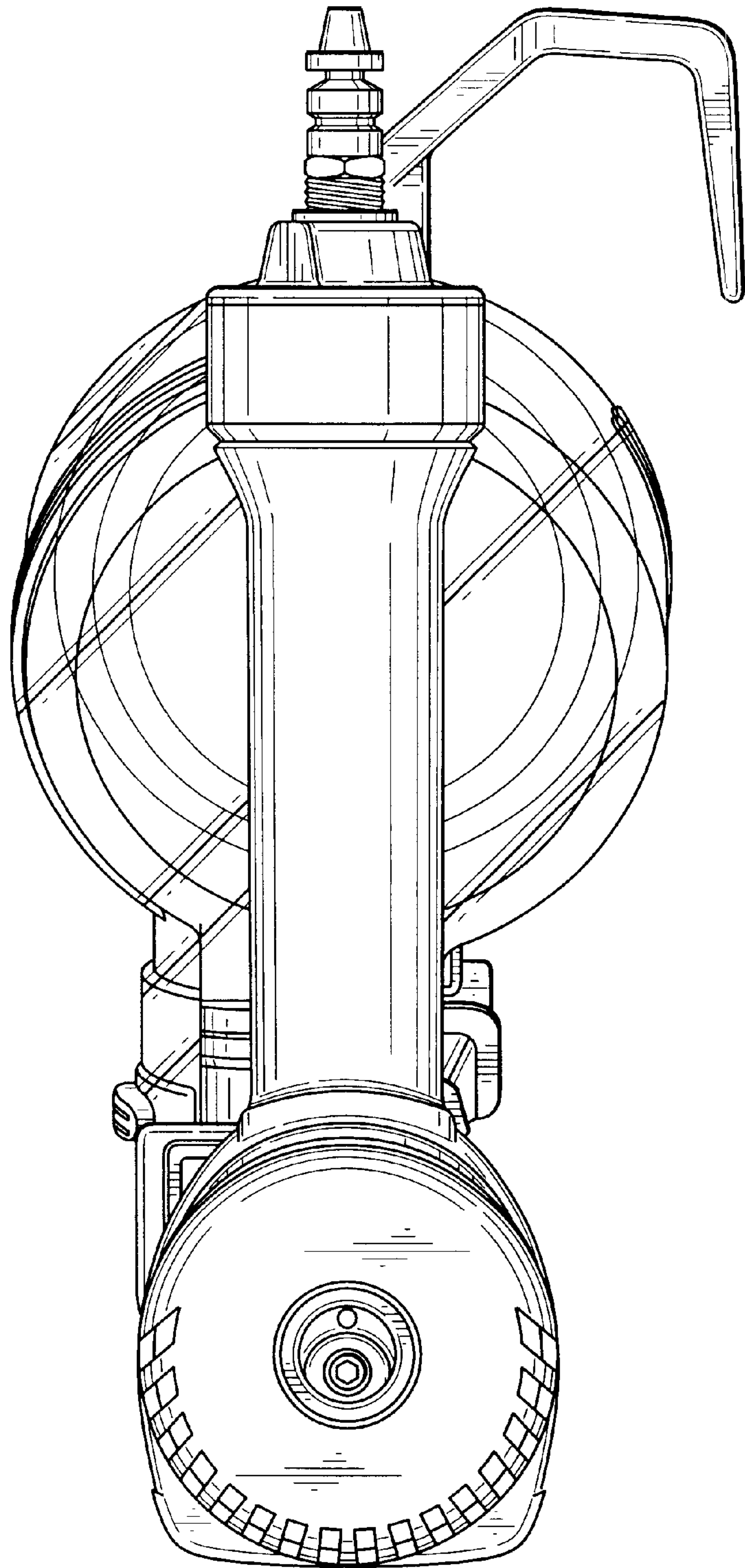


FIG. 7

