

US00D466778S

(12) **United States Design Patent**
Morgan

(10) **Patent No.:** **US D466,778 S**

(45) **Date of Patent:** **** Dec. 10, 2002**

(54) **PNEUMATIC TOOL**

(75) **Inventor:** **Fred M. Morgan, Jackson, TN (US)**

(73) **Assignee:** **DeVilbiss Air Power Company,
Jackson, TN (US)**

(**) **Term:** **14 Years**

(21) **Appl. No.:** **29/153,889**

(22) **Filed:** **Oct. 23, 2001**

(51) **LOC (7) Cl.** **08-05**

(52) **U.S. Cl.** **D8/68**

(58) **Field of Search** D8/61, 62, 63,
D8/64, 65, 66, 67, 68, 69, 70; 81/57.11,
429, 464, 465, 466, 469, 489; 173/13, 169,
178, 213, 217; 227/8, 114, 120, 130, 136,
142; 310/50; 408/20, 124, 125, 234, 241 R;
451/358

(56) **References Cited**

U.S. PATENT DOCUMENTS

3,043,274	A	*	7/1962	Quackenbush	173/178
3,861,250	A	*	1/1975	Zugai	81/464
3,901,631	A	*	8/1975	Wickham et al.	D8/68
D459,180	S	*	6/2002	Morgan	D8/68
D459,181	S	*	6/2002	Morgan	D8/68
D459,182	S	*	6/2002	Morgan	D8/68
D459,183	S	*	6/2002	Morgan	D8/68

D459,643	S	*	7/2002	Morgan	D8/68
D459,644	S	*	7/2002	Morgan	D8/68
D460,675	S	*	7/2002	Morgan	D8/68

OTHER PUBLICATIONS

No. 270 slugger, Sioux air slugger, Air and Electric Sioux Tools, p. 8, catalogue #66.*
CP-9311 utility hammer, Light assembly air tools, p. 53, Chicago Pneumatic catalogue, c. Feb. 1989.*
air impact wrenches, RF air tools poster.*
air hammers, Zone King Industrial Co. brochure.*

* cited by examiner

Primary Examiner—Doris V. Coles

Assistant Examiner—T. Chase Nelson

(74) *Attorney, Agent, or Firm*—Suiter & Associates PC

(57) **CLAIM**

The ornamental design for a pneumatic tool, as shown.

DESCRIPTION

FIG. 1 is a top plan view of a pneumatic tool showing my new design;

FIG. 2 is a front elevation view thereof;

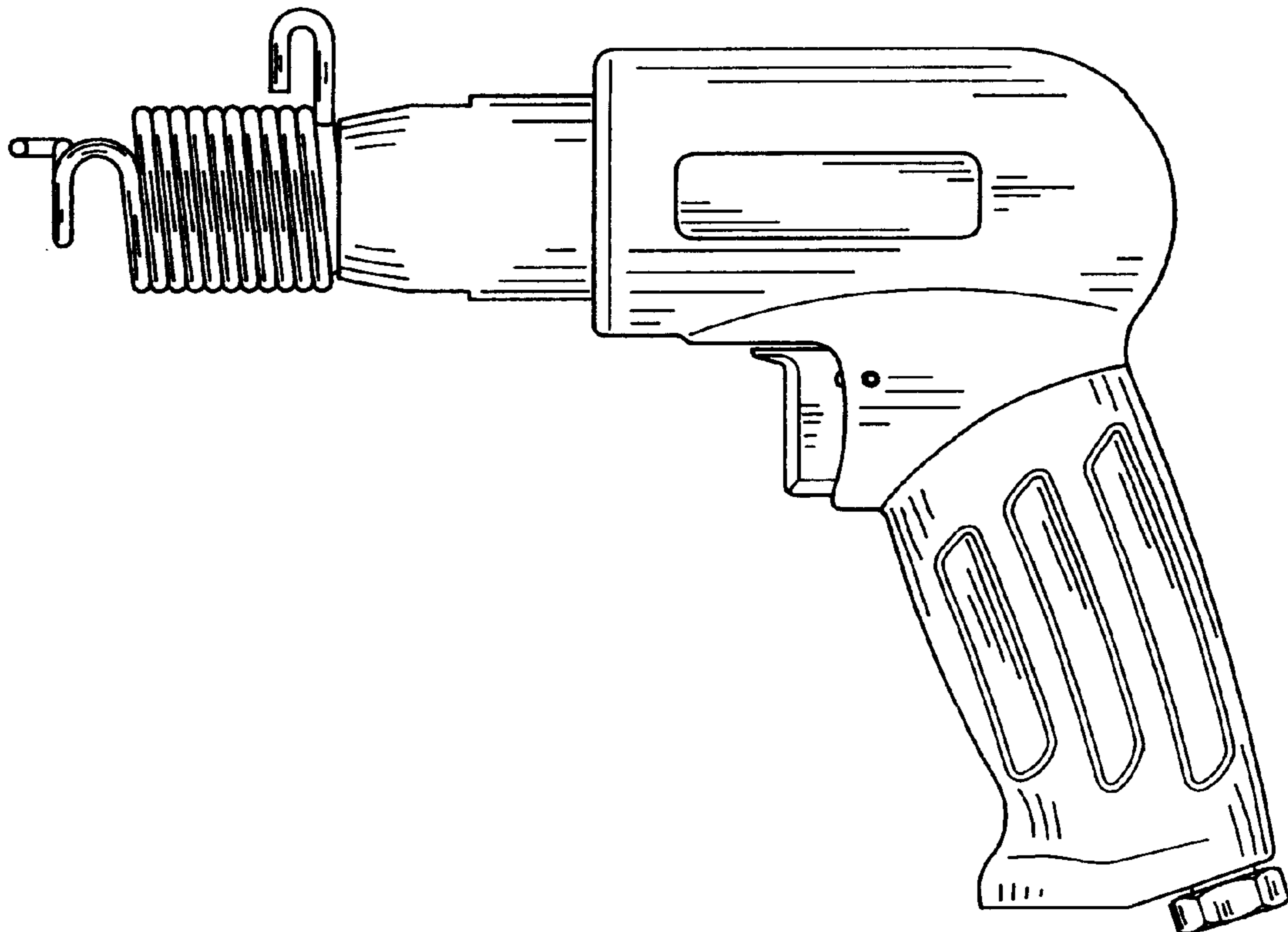
FIG. 3 is a left side elevation view thereof;

FIG. 4 is a rear elevation view thereof;

FIG. 5 is a right side elevation view thereof; and,

FIG. 6 is a bottom plan view thereof.

1 Claim, 2 Drawing Sheets



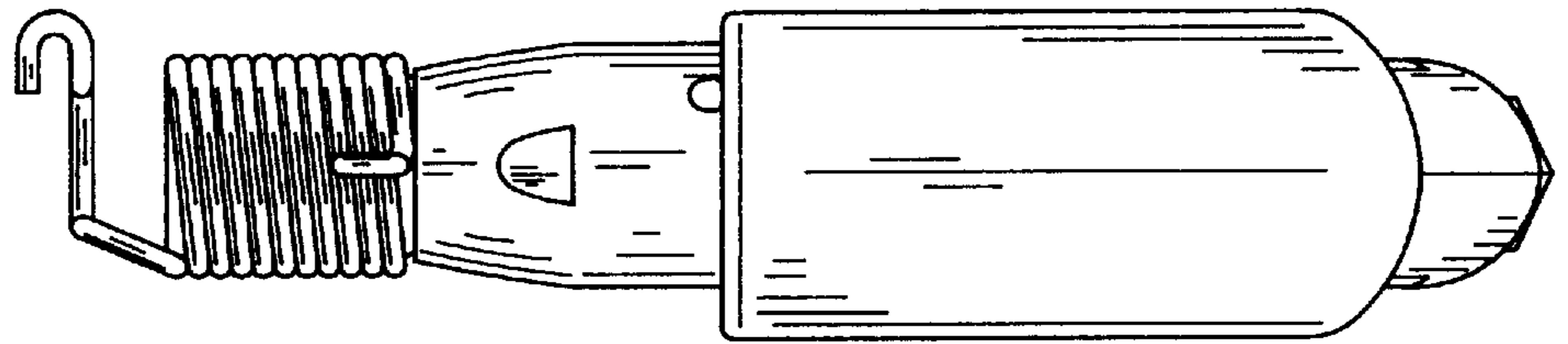


FIG. 1

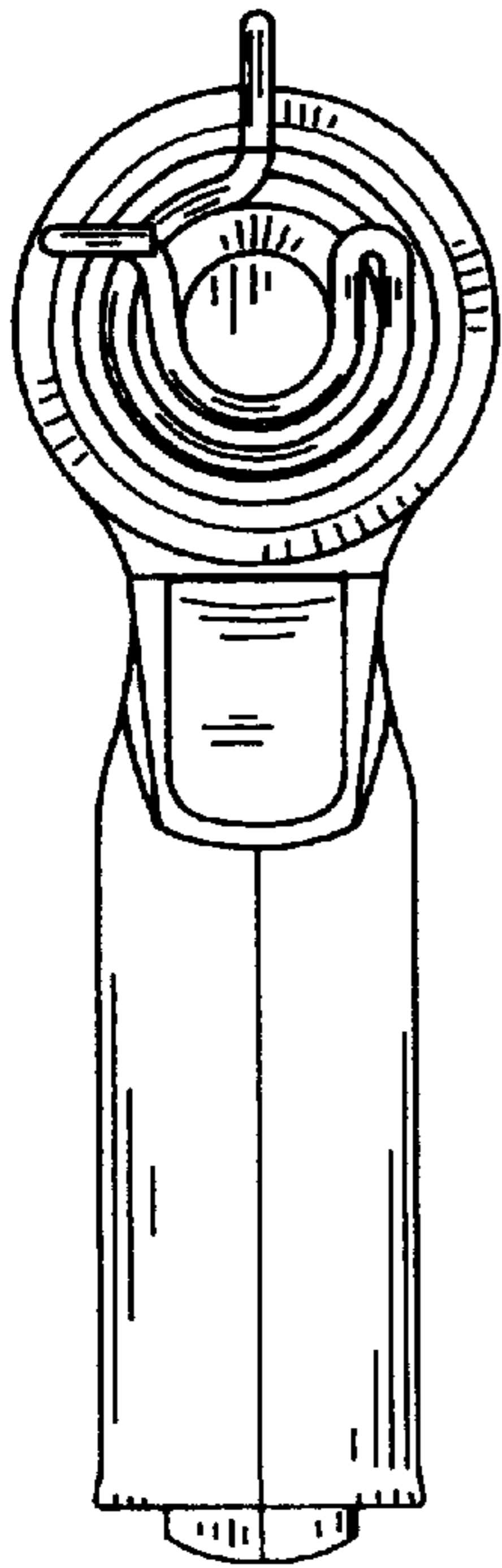


FIG. 2

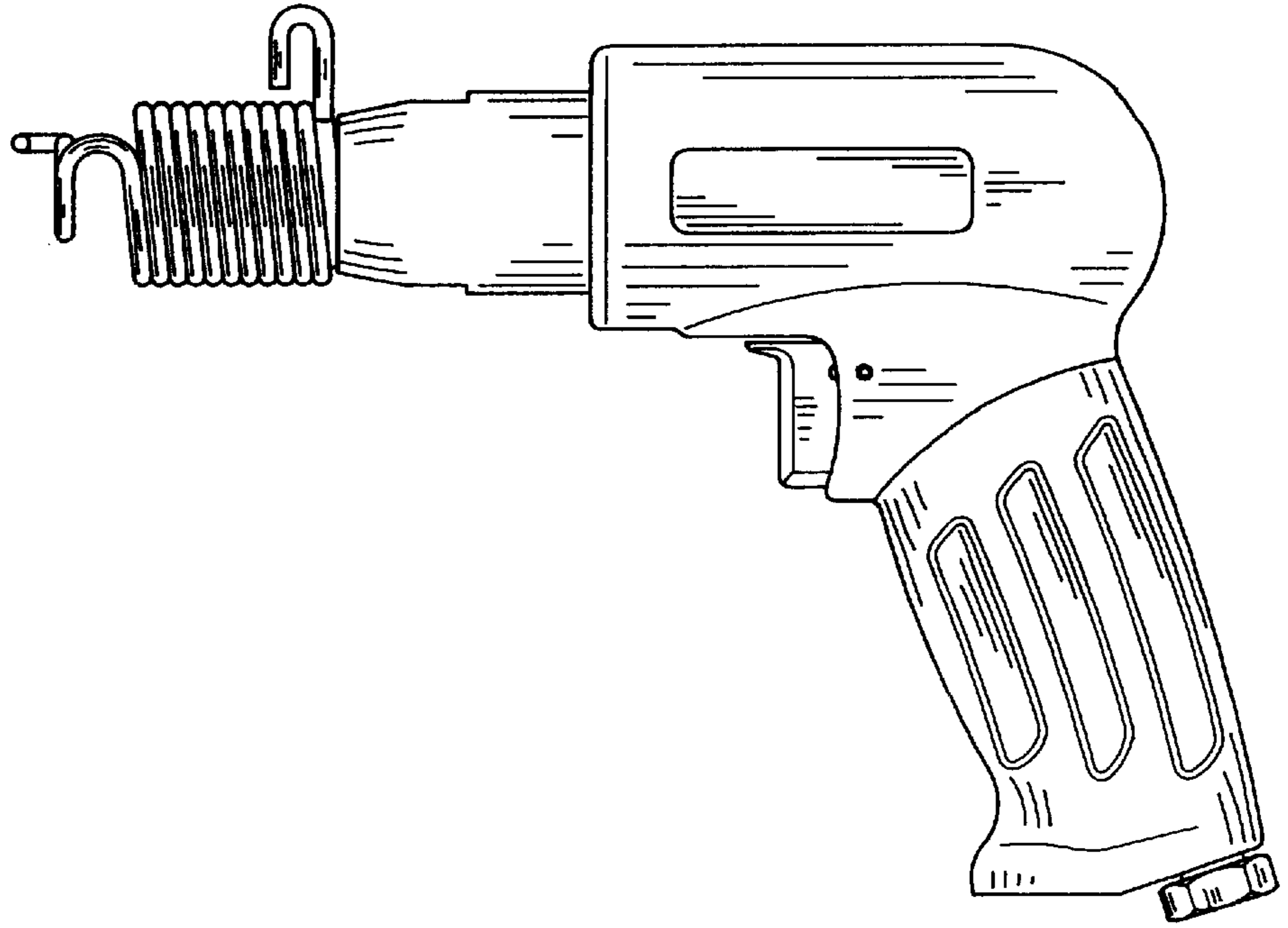


FIG. 3

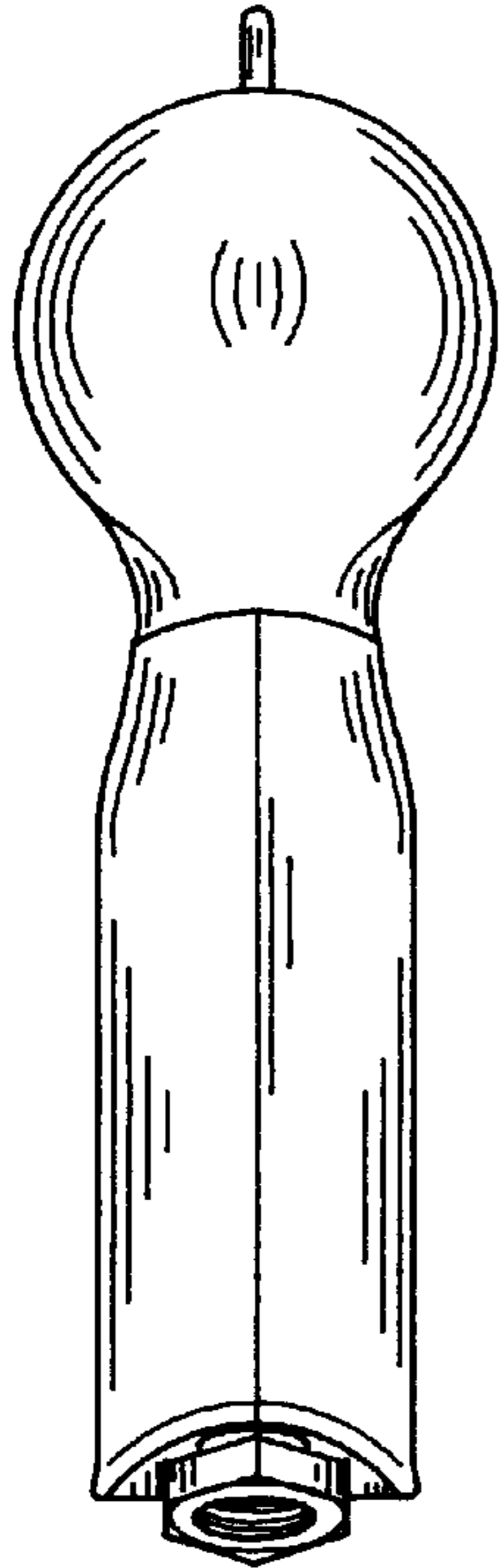


FIG. 4

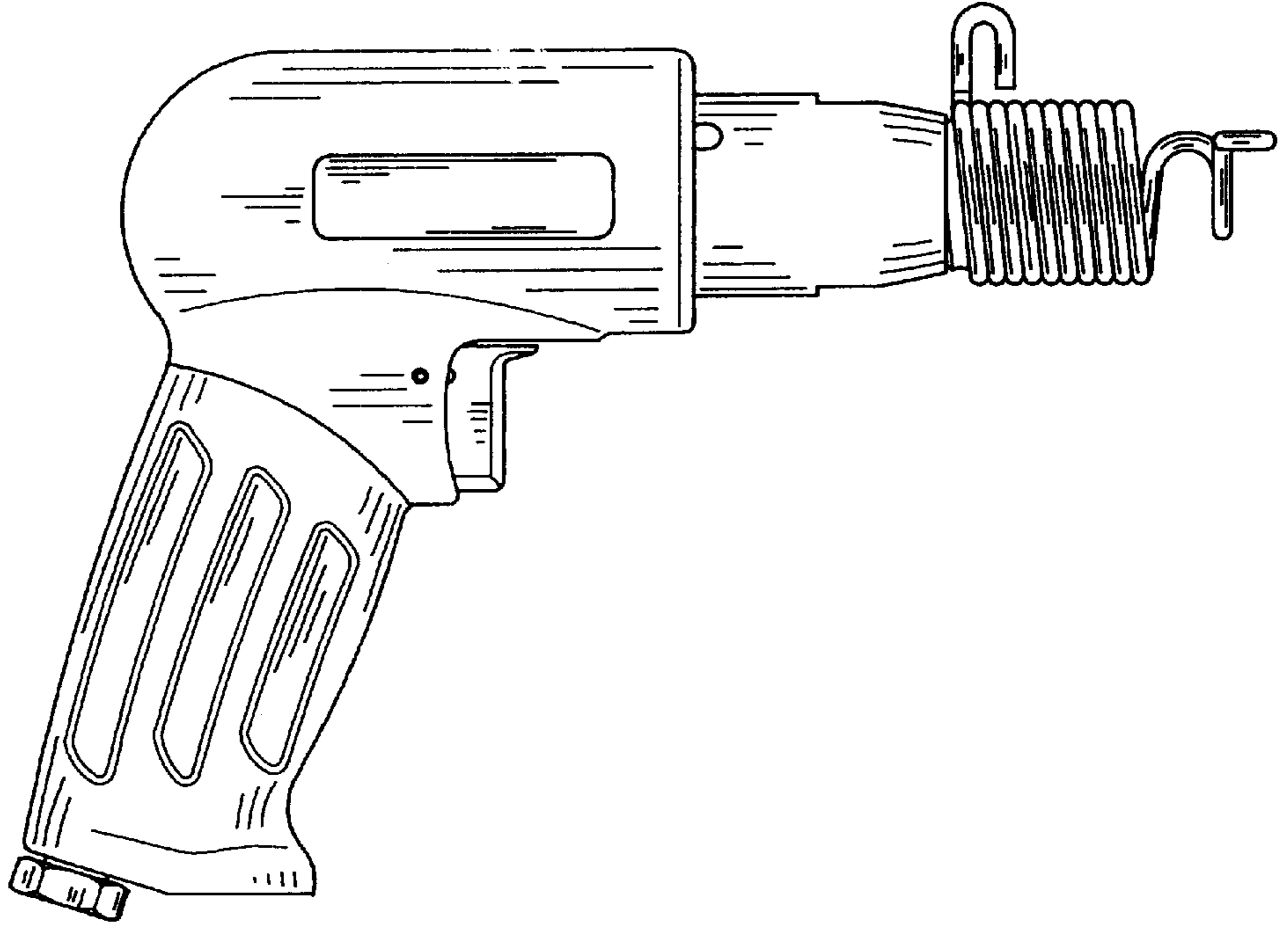


FIG. 5

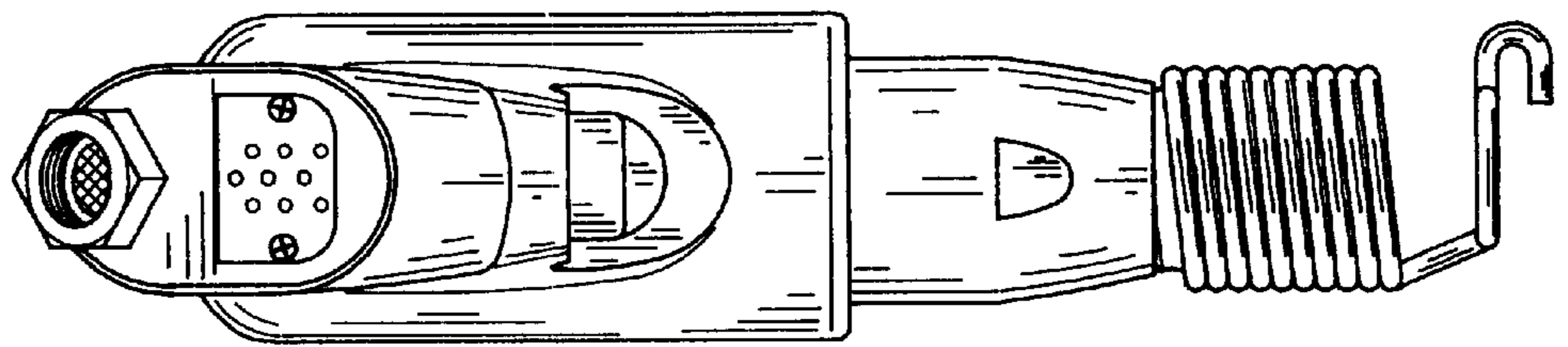


FIG. 6