



US00D466774S

(12) **United States Design Patent**
Lee

(10) **Patent No.:** **US D466,774 S**

(45) **Date of Patent:** **** Dec. 10, 2002**

(54) **STAPLER**

D436,010 S * 1/2001 Nakamura D8/50

(76) Inventor: **Ying-Chov Lee**, No.9, Lane 42, Lung
Feng Street, Fengyuan (TW)

OTHER PUBLICATIONS

Rapid catalog, 1999 p.3.*

(**) Term: **14 Years**

* cited by examiner

(21) Appl. No.: **29/154,232**

Primary Examiner—Adir Aronovich

(22) Filed: **Jan. 23, 2002**

(74) *Attorney, Agent, or Firm*—Rosenberg, Klein & Lee

(51) **LOC (7) Cl.** **19-02**

(57) **CLAIM**

(52) **U.S. Cl.** **D8/50**

The ornamental design for a stapler, as shown and described.

(58) **Field of Search** D8/49, 50, 61;
D19/72; 227/120, 127, 128, 131, 132, 156,
134

DESCRIPTION

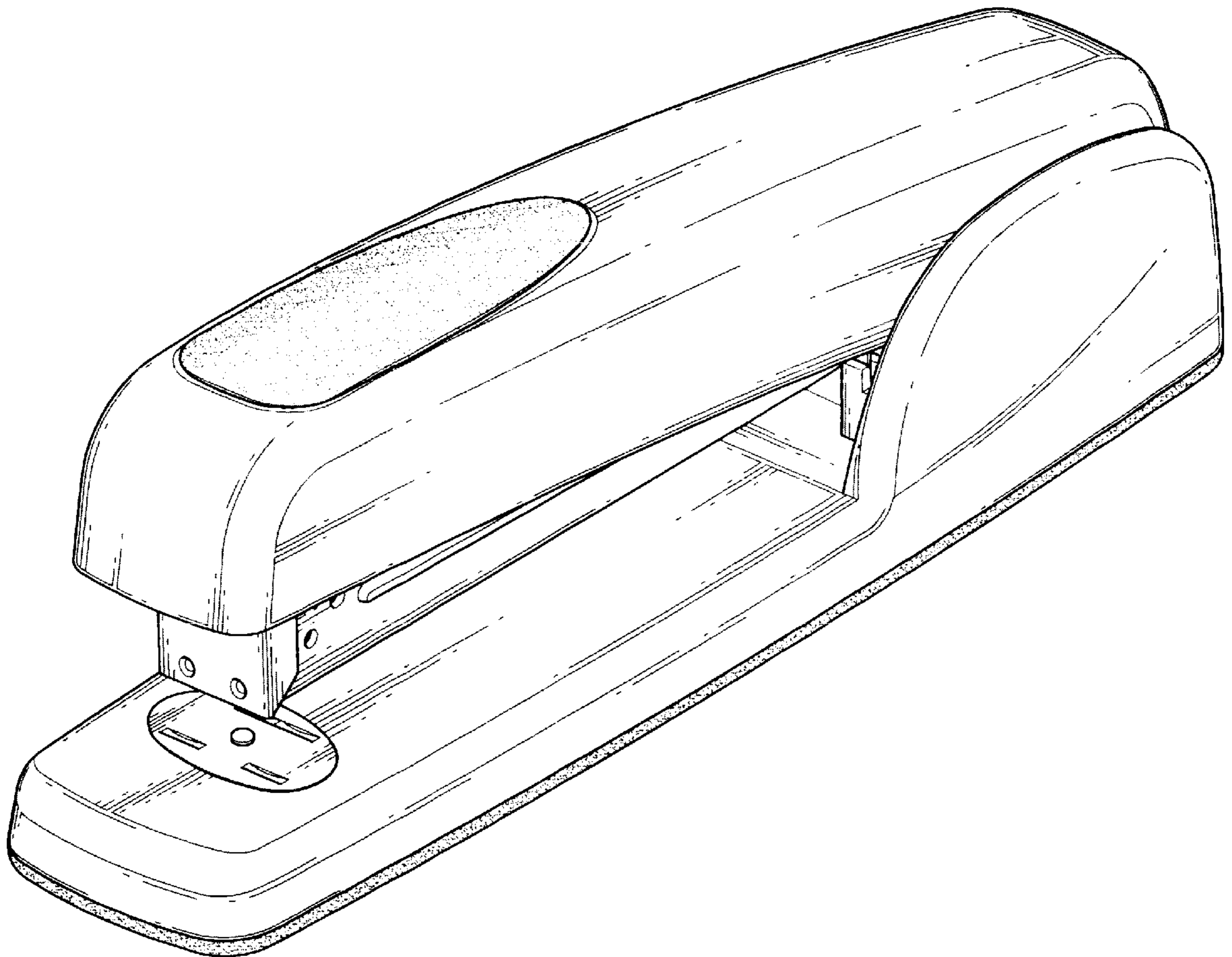
FIG. 1 is a front-right-top perspective view of a stapler showing my new design;
FIG. 2 is a right side view thereof;
FIG. 3 is a left side view thereof;
FIG. 4 is a rear elevational view thereof;
FIG. 5 is a front elevational view thereof;
FIG. 6 is a top plan view thereof; and,
FIG. 7 is a bottom plan view thereof.

(56) **References Cited**

U.S. PATENT DOCUMENTS

D170,423 S	*	9/1953	Marano	D8/50
3,630,428 A	*	12/1971	Olney et al.	227/128
4,463,890 A	*	8/1984	Ruskin	227/132
D340,847 S	*	11/1993	Bain et al.	D8/50
D416,774 S	*	11/1999	Huang	D8/50

1 Claim, 5 Drawing Sheets



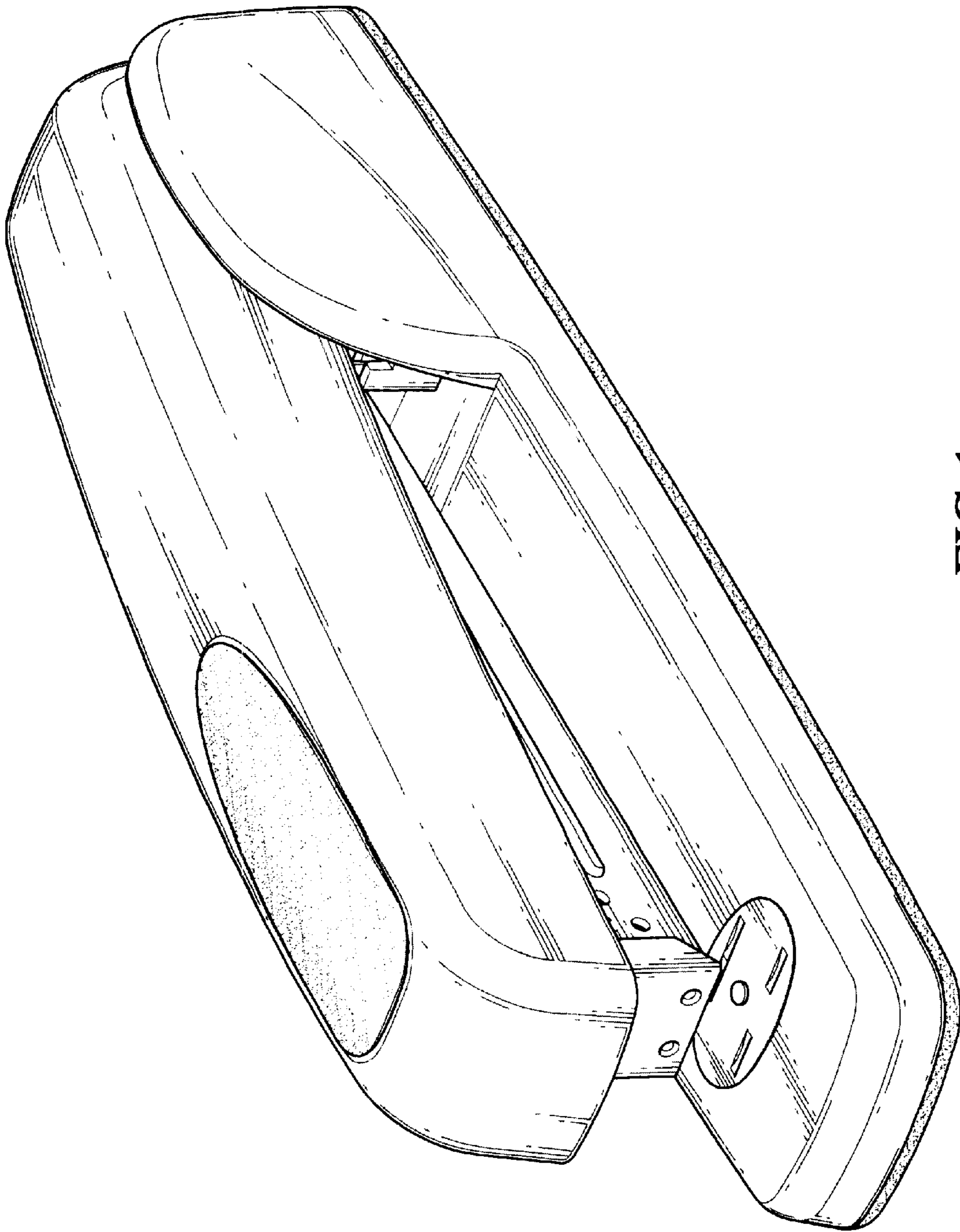


FIG. 1



FIG. 2



FIG.3

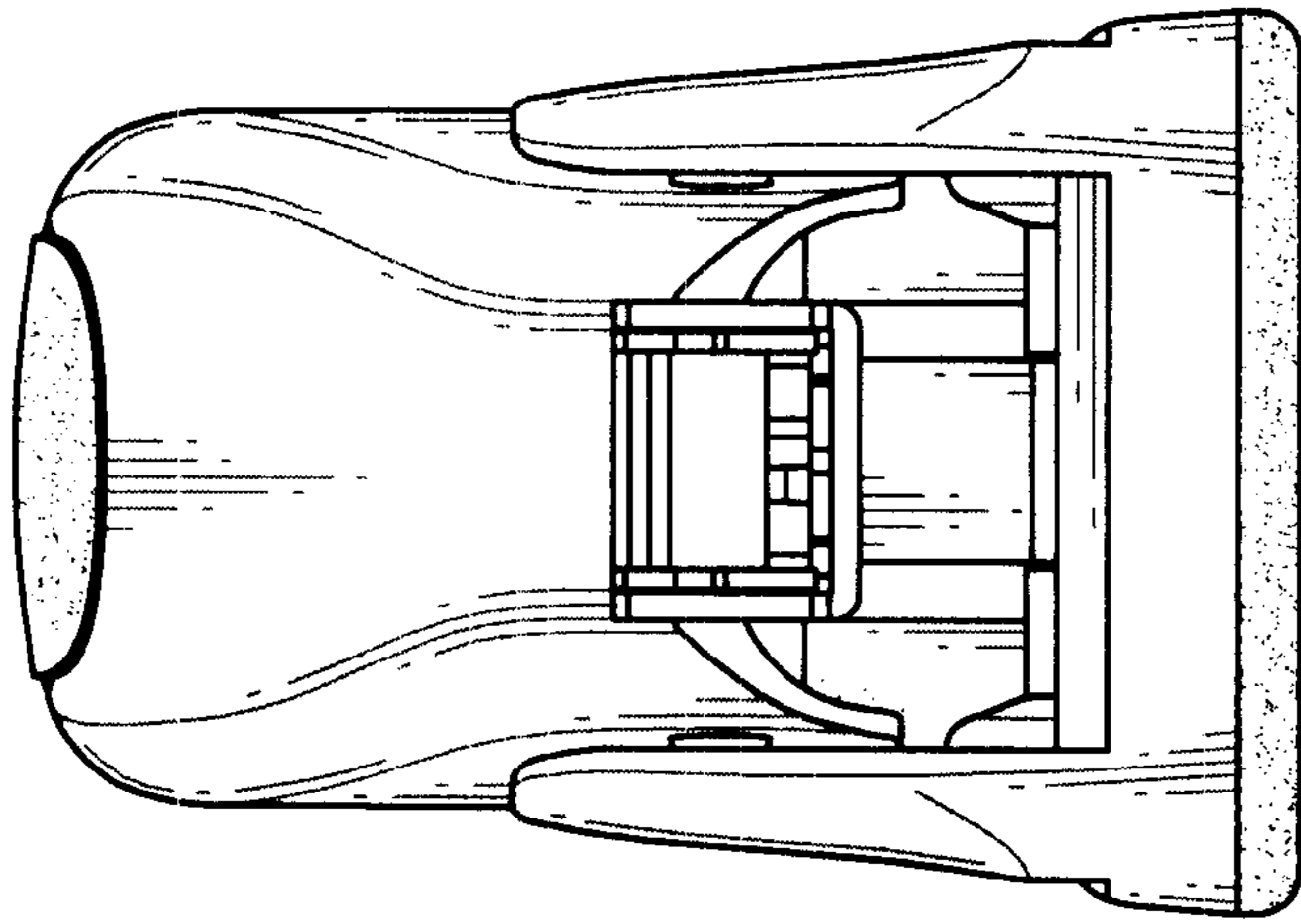


FIG. 5

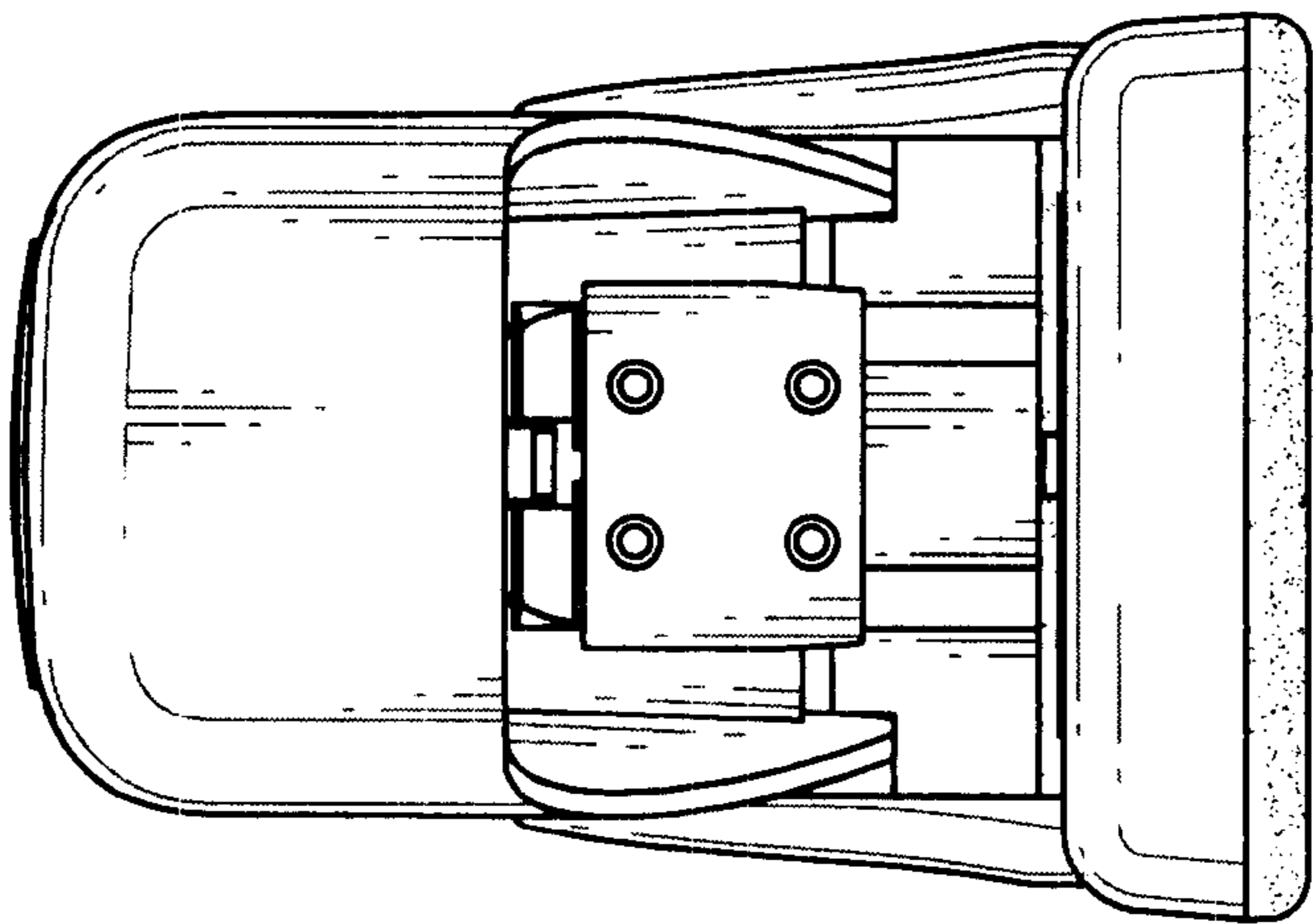


FIG. 4

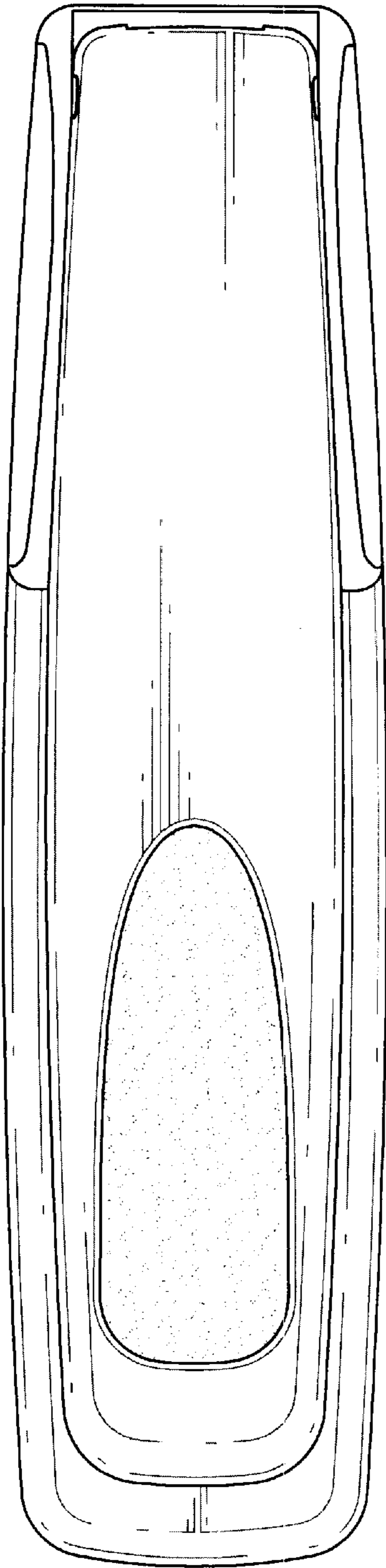


FIG. 6

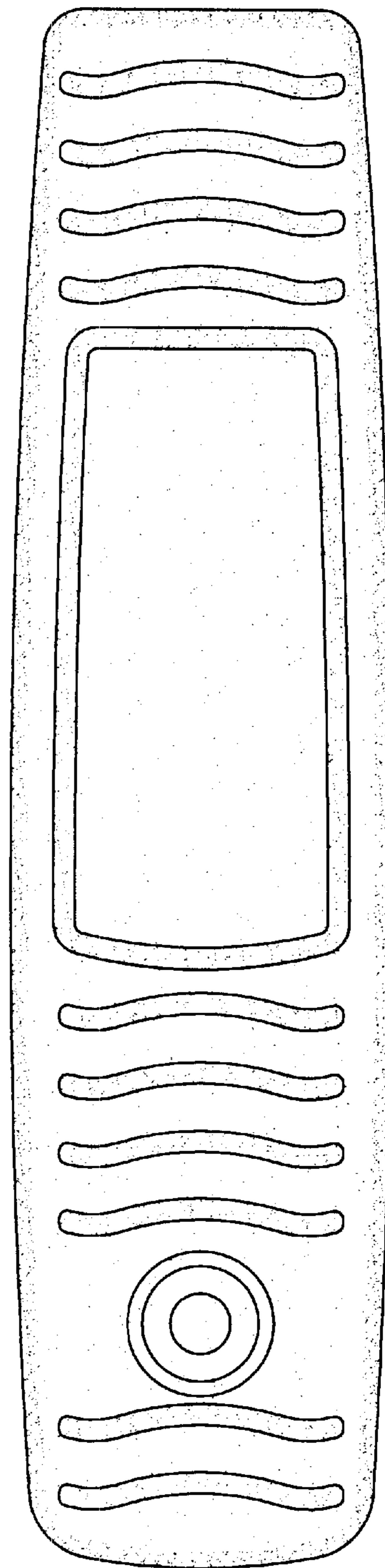


FIG. 7