



US00D466768S

(12) **United States Design Patent**
Kelleghan

(10) **Patent No.:** **US D466,768 S**

(45) **Date of Patent:** **** Dec. 10, 2002**

(54) **ALIEN FACE TOOL**

(75) Inventor: **Brian James Kelleghan**, Longmont, CO (US)

(73) Assignee: **Bison Designs, LLC**, Longmont, CO (US)

(**) Term: **14 Years**

(21) Appl. No.: **29/154,575**

(22) Filed: **Jan. 25, 2002**

(51) **LOC (7) Cl.** **07-99**

(52) **U.S. Cl.** **D8/38; D8/18; D8/88**

(58) **Field of Search** D8/33-43, 18, D8/19, 88, 89, 48; 30/400-443; 81/3.07-3.49; 7/151-156; D3/208, 211; D11/43, 44, 48, 49, 53, 55, 79-83, 95, 99-101; D21/622; D1/106, 108, 109, 126

(56) **References Cited**

U.S. PATENT DOCUMENTS

D34,096 S	*	2/1901	Stephens	D8/18
706,911 A	*	8/1902	Dunham	7/151
805,486 A	*	11/1905	Rosenheimer	7/151
D42,306 S	*	3/1912	Sommer	D8/18
D44,226 S	*	6/1913	Vaughan	D8/18
D46,298 S	*	8/1914	Sommer	D8/18
D46,762 S	*	12/1914	Vaughan	D8/18
D47,144 S	*	3/1915	Pfister	D27/196
D85,035 S	*	9/1931	Ekstedt	D3/211
D97,570 S	*	11/1935	Trollen	D3/210
D119,965 S	*	4/1940	Paolantonio	D8/40
D141,352 S	*	5/1945	Block	D8/38
D143,233 S	*	12/1945	Moore	D8/43
D149,645 S	*	5/1948	Johansen	D8/40
2,517,442 A	*	8/1950	Ransom	30/450
D161,321 S	*	12/1950	De Fee	D8/18
2,542,329 A	*	2/1951	Hammond et al.	81/3.57
D184,195 S	*	12/1958	Reibung	D8/34 X

(List continued on next page.)

OTHER PUBLICATIONS

www.artedesigngroup.com, visited Jun. 24, 2002, BCOKC Bottle/Can Opener Key Chain.*

www.omegapacificpromotions.com, visited Jun. 24, 2002, Bottle openers, "Key" and "Cycle Wrench".*

U.S. patent application Ser. No. 29/154,591, Kelleghan, filed Jan. 25, 2002.

U.S. patent application Ser. No. 29/154,590, Kelleghan, filed Jan. 25, 2002.

U.S. patent application Ser. No. 29/154,544, Kelleghan, filed Jan. 25, 2002.

Primary Examiner—Jeffrey Asch

(74) *Attorney, Agent, or Firm*—Margaret Polson Patent Law Offices of Rick Martin, P.C.

(57) **CLAIM**

The ornamental design for an alien face tool, as shown.

DESCRIPTION

FIG. 1 is a plan view of the top and bottom sides, which are mirror images of each other, of my new design for an alien face tool.

FIG. 2 is a right side plan view of the tool shown in FIG. 1.

FIG. 3 is a left side plan view of the tool shown in FIG. 1.

FIG. 4 is a front side plan view of the tool shown in FIG. 1.

FIG. 5 is a rear side plan view of the tool shown in FIG. 1.

FIG. 6 is a top perspective view of the tool shown in FIG. 1.

FIG. 7 is a plan view of the top and bottom sides, which are mirror images of each other, of an alternate embodiment with an attachment nub of my new design for an alien face tool.

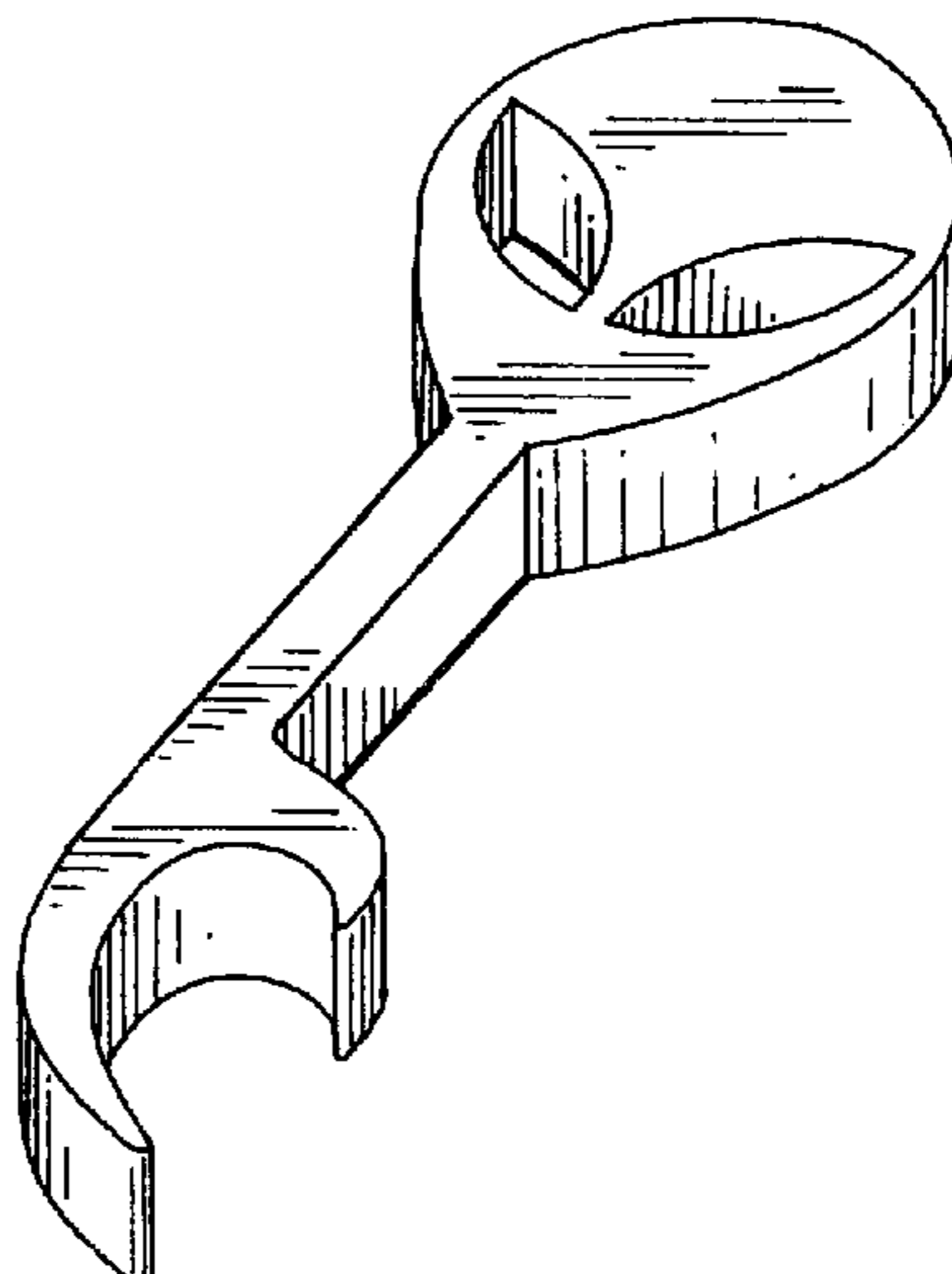
FIG. 8 is a right side plan view of the tool shown in FIG. 7.

FIG. 9 is a left side plan view of the tool shown in FIG. 7.

FIG. 10 is a front side plan view of the tool shown in FIG. 7; and,

FIG. 11 is a rear side plan view of the tool shown in FIG. 7.

1 Claim, 1 Drawing Sheet



US D466,768 S

Page 2

U.S. PATENT DOCUMENTS

D196,251 S	*	9/1963	Piel	D8/41	D356,237 S	*	3/1995	White	D8/34
D222,659 S	*	11/1971	Hillis	D8/40	D357,038 S	*	4/1995	Sandvik	D21/622
D238,244 S	*	12/1975	Pasquale	D8/18	D366,074 S	*	1/1996	Sandvik	D21/622
D240,188 S	*	6/1976	Lytle	D8/18	D379,482 S	*	5/1997	Giancola	D21/622
D266,175 S	*	9/1982	Zachar	D21/622	D404,437 S	*	1/1999	Lam	D21/460
4,617,842 A	*	10/1986	Yang	81/3.09	D420,853 S	*	2/2000	Bissell, Sr.	D7/517
4,765,208 A	*	8/1988	Sakosky	81/3.55	D428,783 S	*	8/2000	Precetti et al.	D8/40
4,864,898 A	*	9/1989	Tricinella	81/3.09	D439,490 S	*	3/2001	Bagley	D8/89
D308,620 S	*	6/1990	Baca	D8/34	D448,552 S	*	10/2001	Richards	D3/210
4,949,600 A	*	8/1990	Tricinella	81/3.09	D454,287 S	*	3/2002	Wolf	D8/40
4,976,172 A	*	12/1990	Thomas et al.	81/3.09					

* cited by examiner

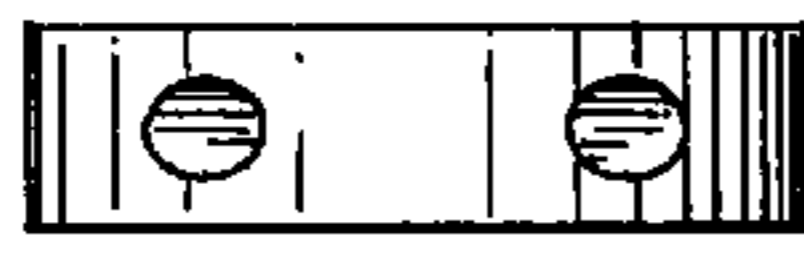


FIG. 4

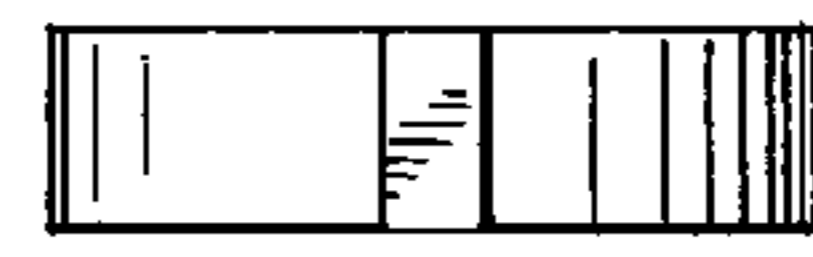


FIG. 10

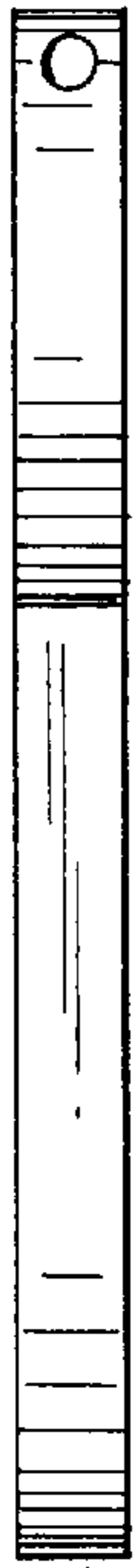


FIG. 3

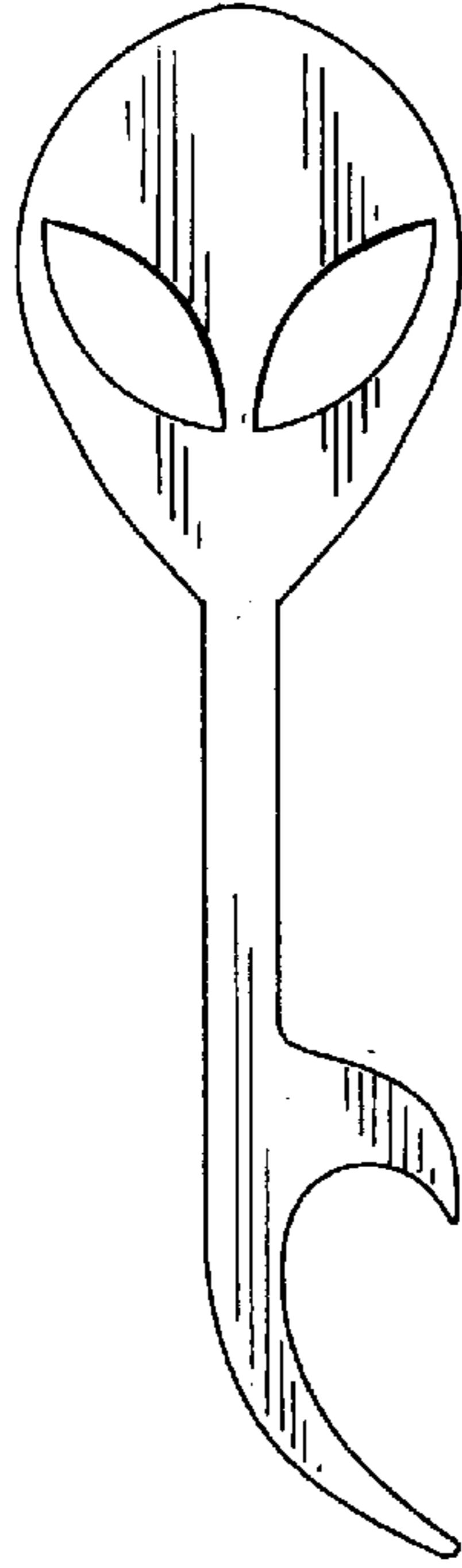


FIG. 1



FIG. 2

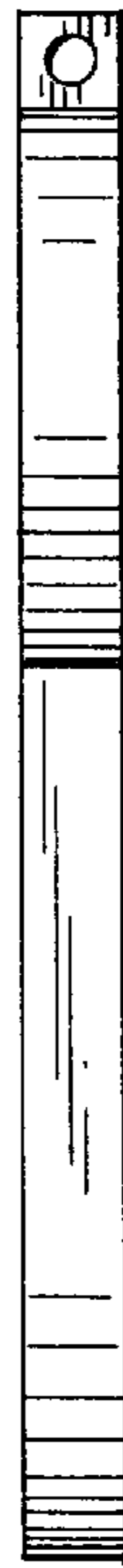


FIG. 9

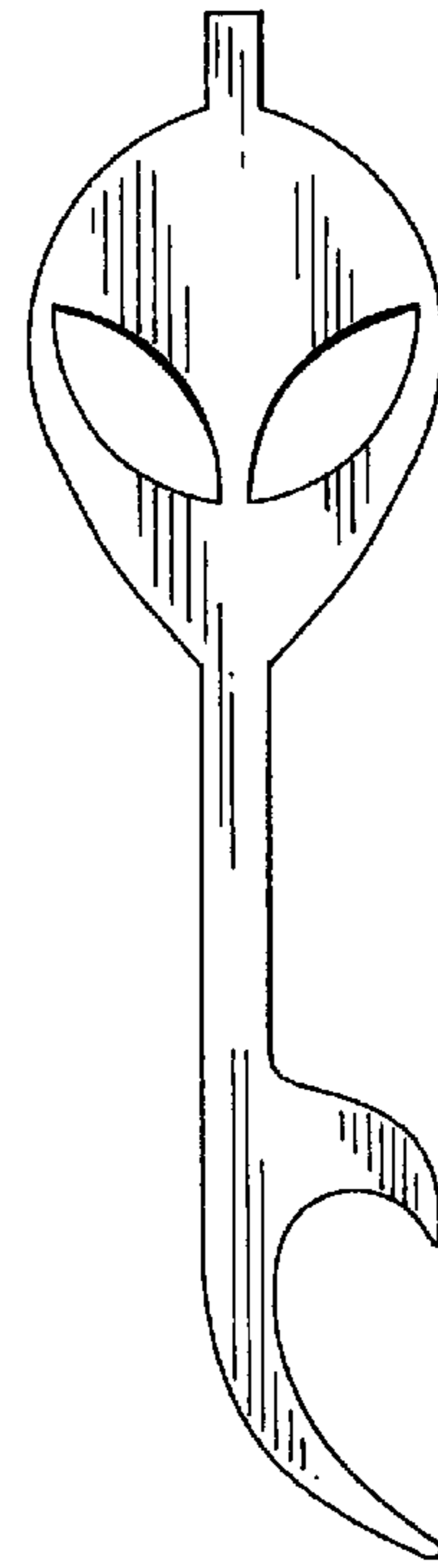


FIG. 7



FIG. 8



FIG. 5



FIG. 11

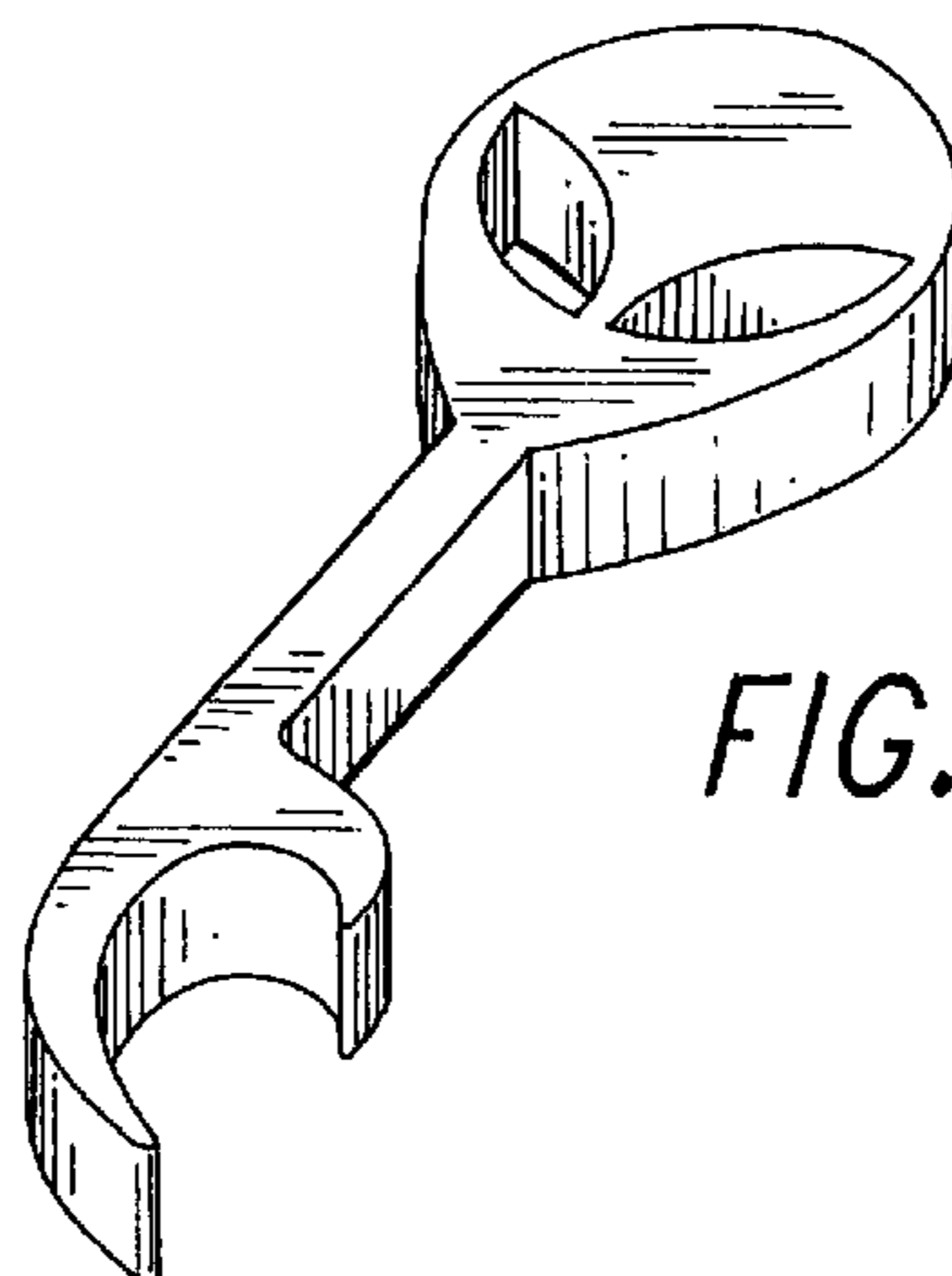


FIG. 6